



US00D376210S

United States Patent [19]
DiGiorgio

[11] **Patent Number: Des. 376,210**

[45] **Date of Patent: **Dec. 3, 1996**

[54] **WINDOW SASH**

D. 334,501 4/1993 Slocomb, Jr. D25/124
D. 357,750 4/1995 Schrader D25/124

[75] Inventor: **Tony DiGiorgio**, Woodbridge, Canada

Primary Examiner—Doris Clark

[73] Assignee: **Dominion Plastics Inc.**, Woodbridge, Canada

[57] **CLAIM**

[**] Term: **14 Years**

The ornamental design for a window sash, as shown and described.

[21] Appl. No.: **45,261**

DESCRIPTION

[22] Filed: **Oct. 16, 1995**

[52] U.S. Cl. **D25/124**

FIG. 1 is a perspective view from the back of the window sash; and,

[58] **Field of Search** D25/52, 60, 124;
52/204.5, 204.55, 204.6, 656.6; 49/DIG. 2,
504

FIG. 2 is a perspective view from the front of the window sash.

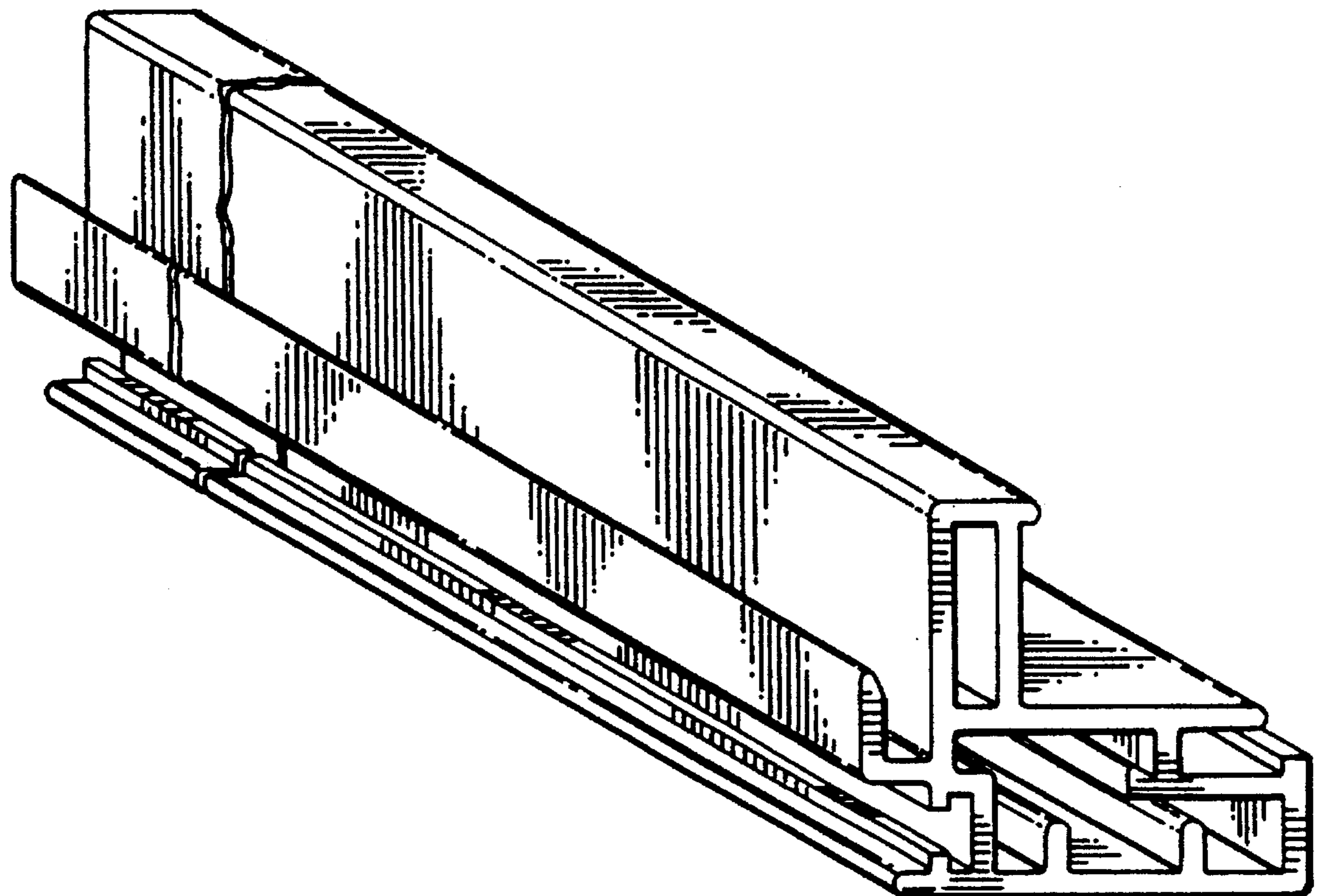
The window sash is broken away on the end to indicate indeterminate length.

[56] **References Cited**

U.S. PATENT DOCUMENTS

D. 307,484 4/1990 Westphal et al. D25/124

1 Claim, 1 Drawing Sheet



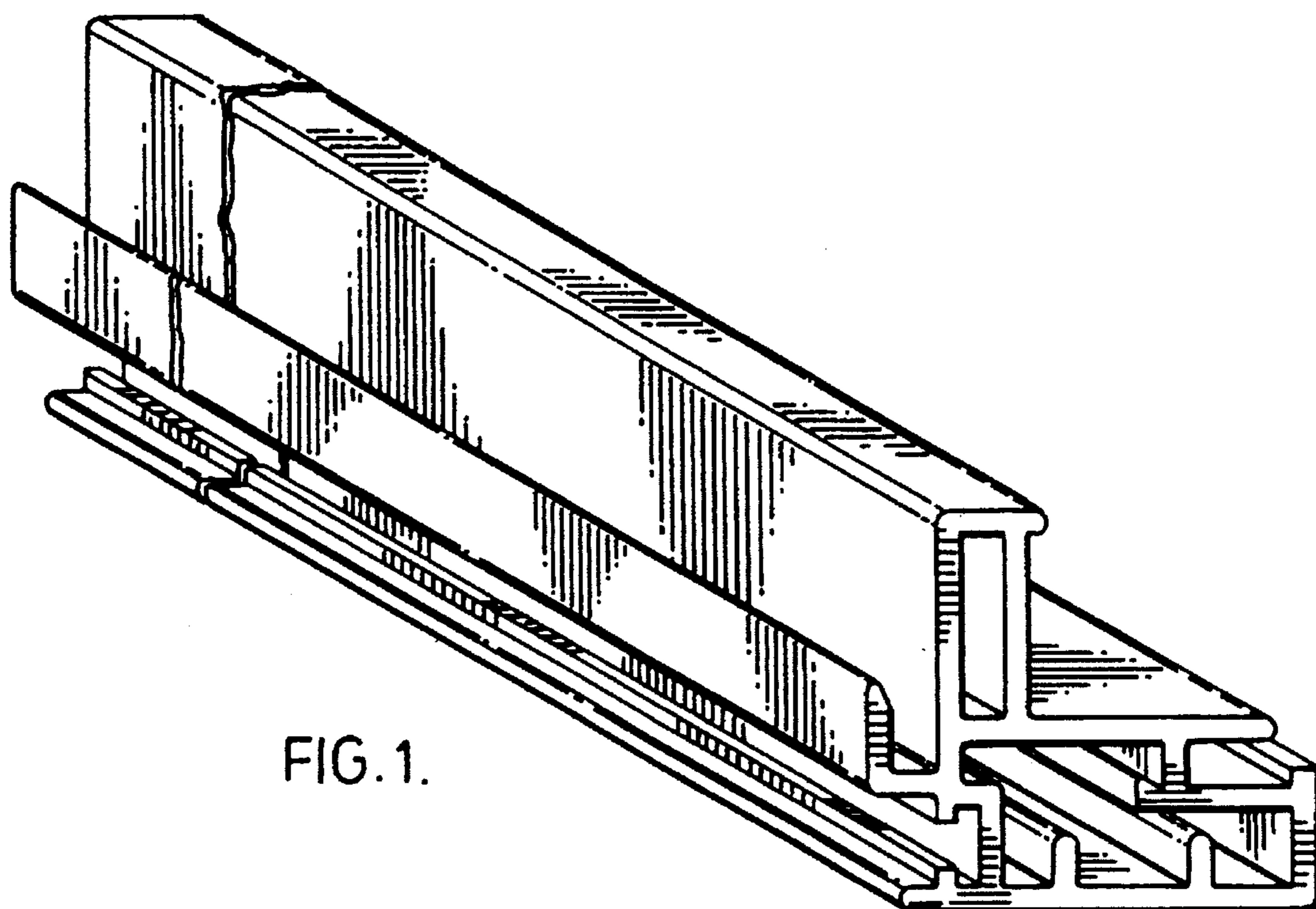


FIG. 1.

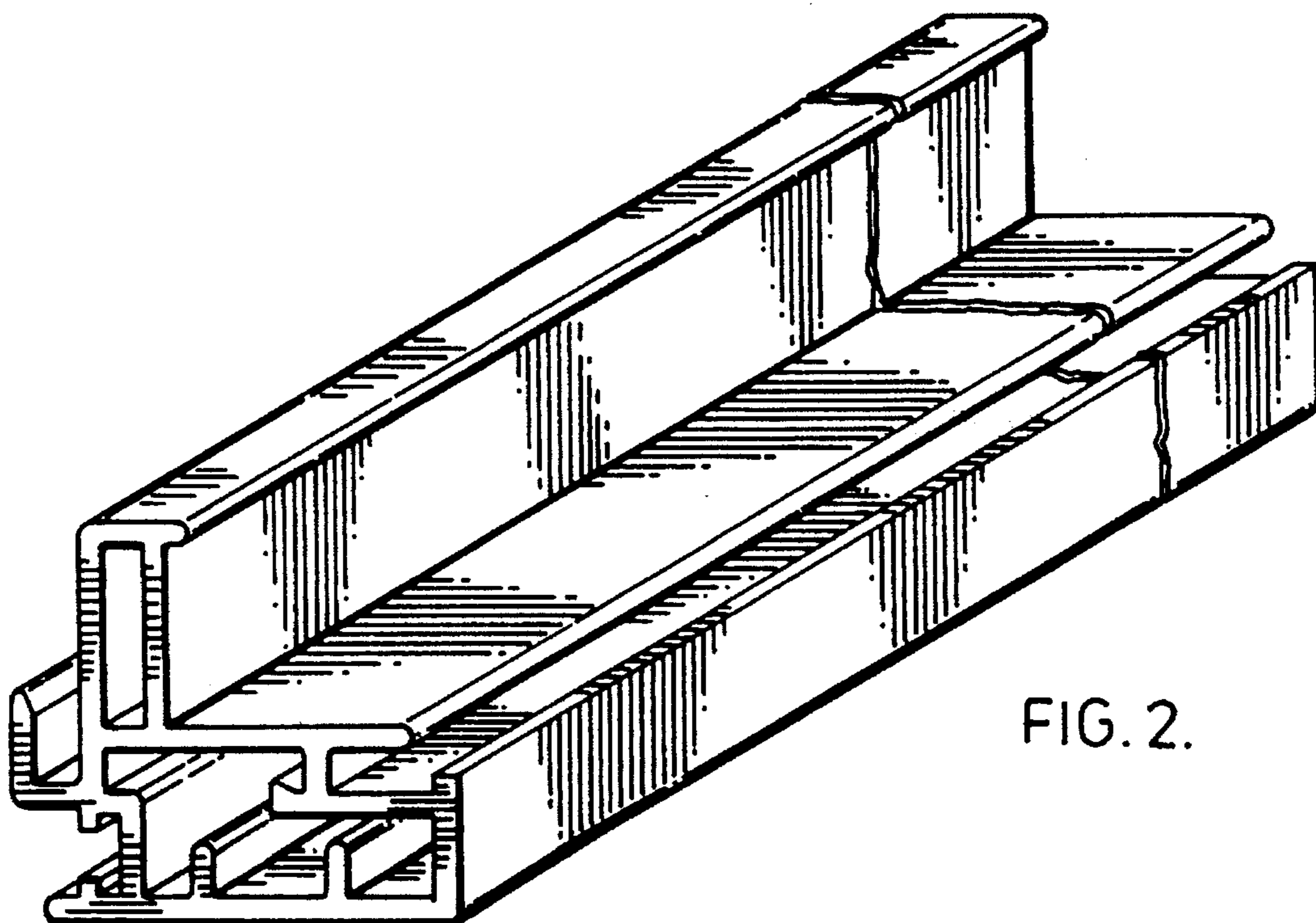


FIG. 2.