



US00D376209S

**United States Patent** [19]  
**DiGiorgio**

[11] **Patent Number:** **Des. 376,209**  
[45] **Date of Patent:** **\*\*Dec. 3, 1996**

[54] **CASEMENT MULLION**  
[75] **Inventor:** **Tony DiGiorgio**, Woodbridge, Canada  
[73] **Assignee:** **Dominion Plastics Inc.**, Woodbridge, Canada  
[\*\*] **Term:** **14 Years**

D. 351,240 10/1994 Cole ..... D25/122  
5,081,793 1/1992 Mauro ..... 49/504  
5,090,168 2/1992 Fast et al. .... 52/204.5  
5,435,106 7/1995 Games et al. .... 52/730.3

*Primary Examiner*—Doris Clark

[21] **Appl. No.:** **45,262**  
[22] **Filed:** **Oct. 16, 1995**  
[52] **U.S. Cl.** ..... **D25/122; D25/124**  
[58] **Field of Search** ..... **D25/122, 124;**  
**49/504, 505, DIG. 2; 52/204.5, 204.1, 730.3,**  
**730.4, 730.5**

[57] **CLAIM**

The ornamental design for a casement mullion, as shown.

**DESCRIPTION**

FIG. 1 is a perspective view from above the casement mullion; and,  
FIG. 2 is a bottom and side perspective view of the casement mullion.

[56] **References Cited**

**U.S. PATENT DOCUMENTS**

D. 334,628 4/1993 Cole ..... D25/124

**1 Claim, 1 Drawing Sheet**

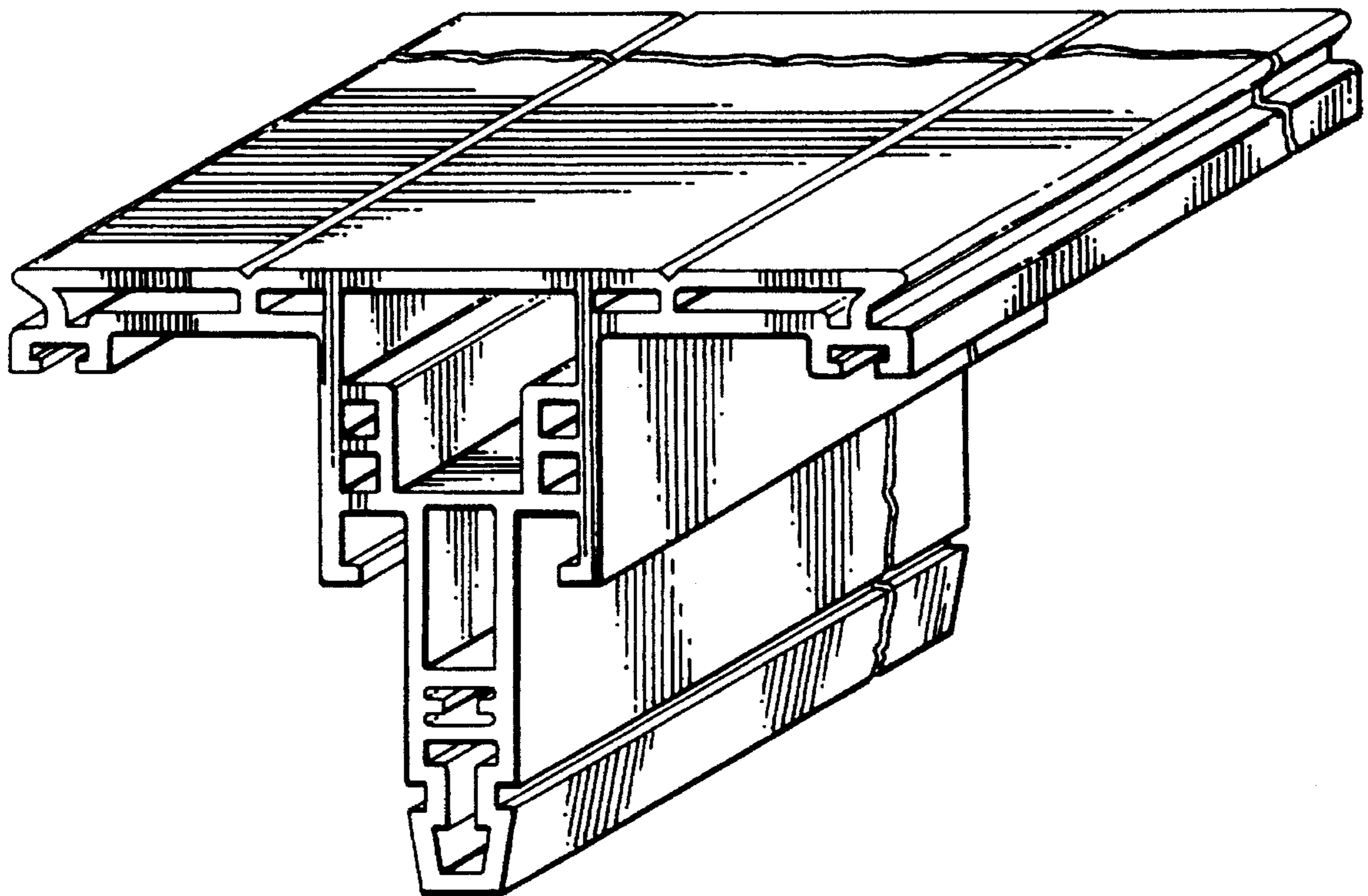


FIG. 1.

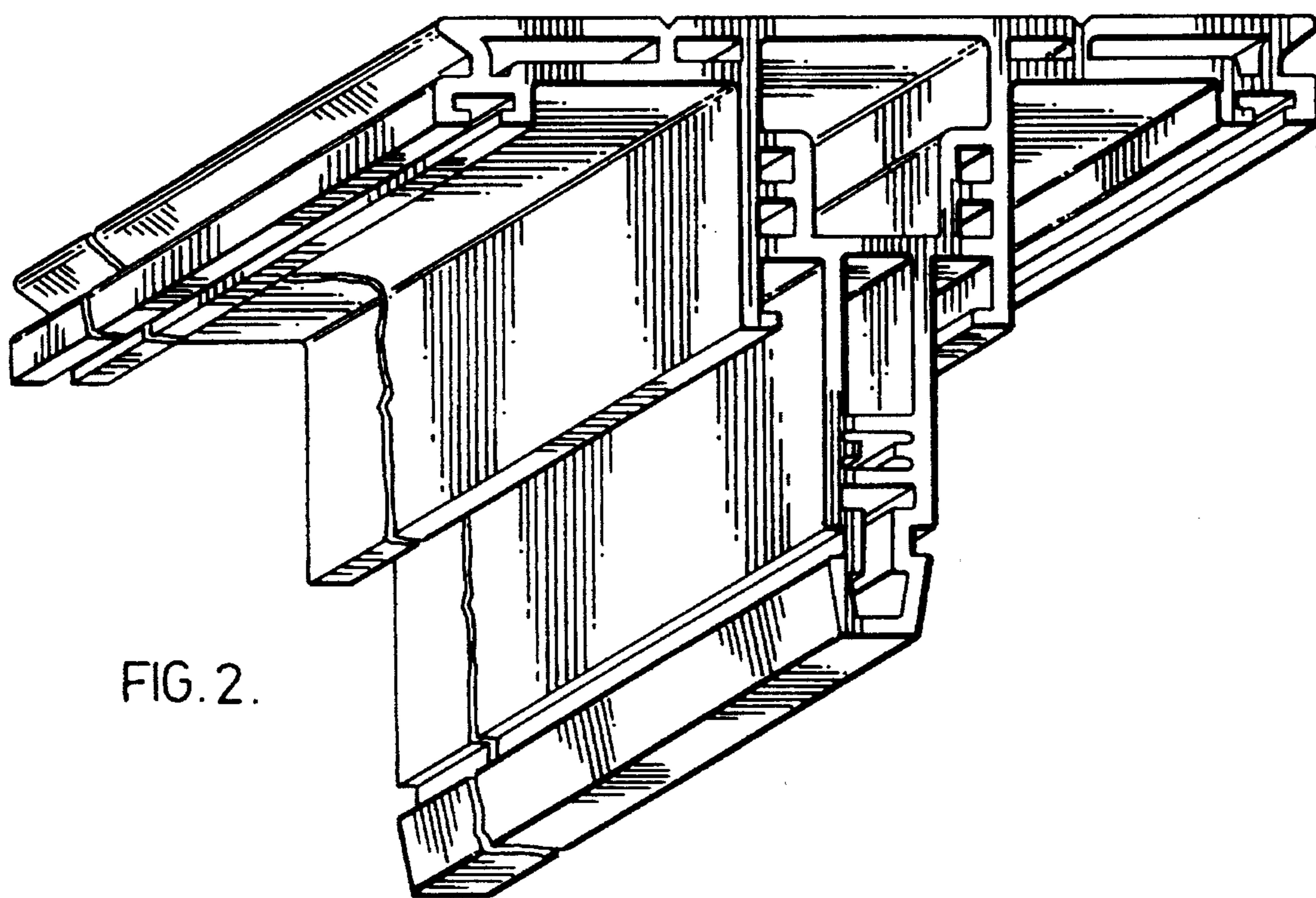
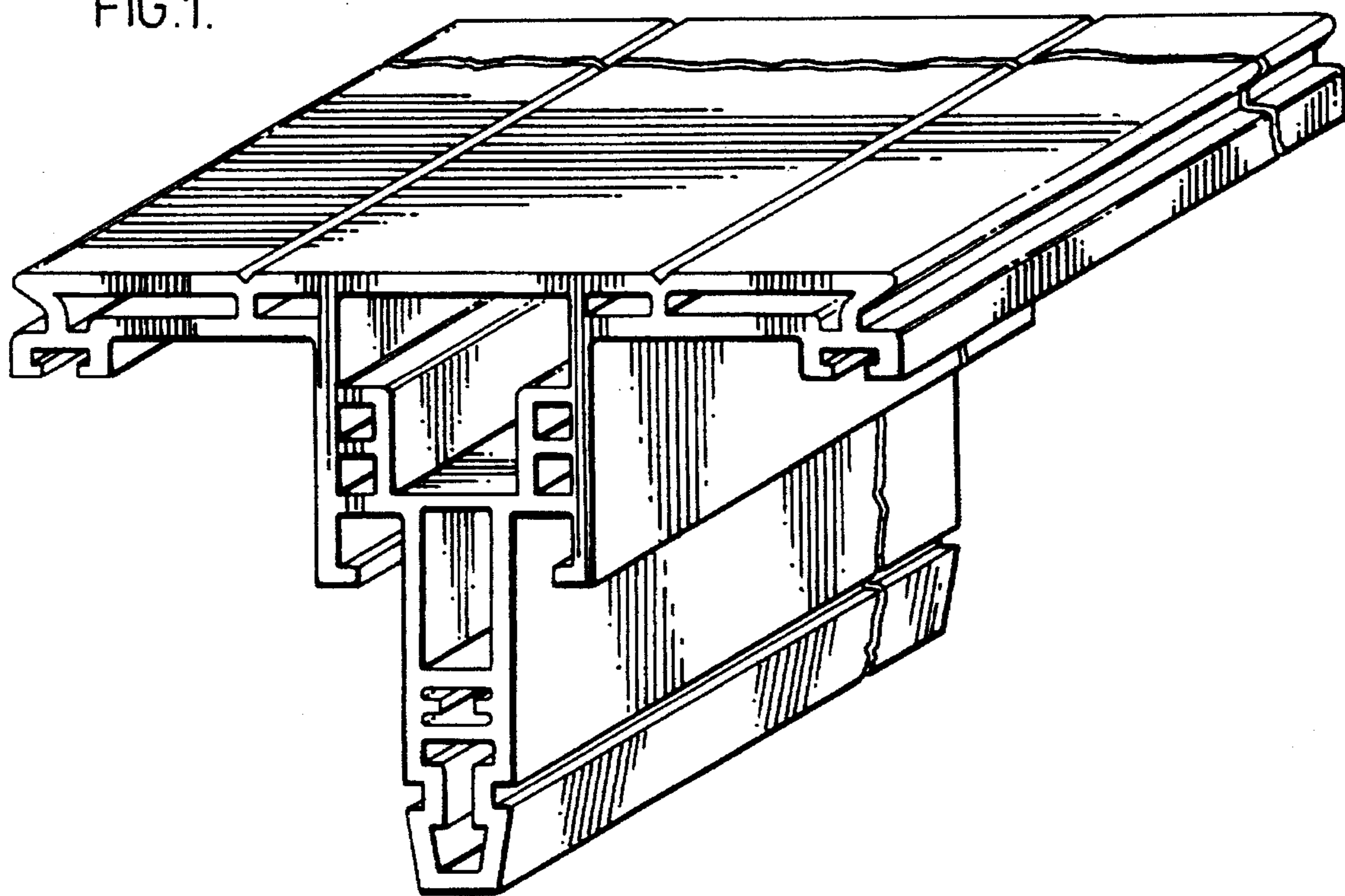


FIG. 2.