



US00D376208S

United States Patent [19]

[11] Patent Number: Des. 376,208

Rasmussen et al.

[45] Date of Patent: ***Dec. 3, 1996

[54] BOTTLE FOR A LABORATORY ANALYZER

[75] Inventors: **James E. Rasmussen**, Plainville, Mass.;
Philip W. Swift, Port Jefferson, N.Y.;
Ronald J. Venooker, Franklin, Mass.

[73] Assignee: **Ciba Corning Diagnostics Corp.**,
Medfield, Mass.

[*] Notice: The portion of the term of this patent
subsequent to May 23, 2009, has been
disclaimed.

[**] Term: **14 Years**

[21] Appl. No.: **29,341**

[22] Filed: **Oct. 3, 1994**

[52] U.S. Cl. **D24/224; D9/523**

[58] Field of Search D24/224, 121;
D9/523, 572, 542; 422/102, 100, 103, 104;
215/379, 373, 374, 215, 370

[56] References Cited

U.S. PATENT DOCUMENTS

D, 211,928	8/1968	Burnett	D9/523
D. 297,212	8/1988	Stavish	D9/520
D. 349,046	7/1984	Brown	D21/108 X
D. 358,660	5/1995	Swift	D24/224
D. 359,361	6/1995	Swift	D24/224
5,152,965	10/1992	Fisk et al.	422/102 X

OTHER PUBLICATIONS

U.S. Patent Application Serial No. 29/016,177 filed Dec. 9,
1993 Reviewed (Now pat Des 358,660).

Primary Examiner—Stella Reid

Assistant Examiner—I. Simmons

Attorney, Agent, or Firm—Judith A. Roesler; Arthur S.
Morgenstern

[57] CLAIM

The ornamental design for a bottle for a laboratory analyzer,
as shown and described.

DESCRIPTION

FIG. 1 is a prospective view of a bottle for a laboratory
analyzer showing our new design;

FIG. 2 is a front elevational view of FIG. 1;

FIG. 3 is a cross-sectional view of FIG. 5 taken along the
line III—III;

FIG. 4 is a rear elevational view of FIG. 1;

FIG. 5 is a side elevation view of FIG. 1, the opposite side
elevational view being a mirror image thereof;

FIG. 6 is a prospective view of a second embodiment of FIG.
1;

FIG. 7 is a front elevational view of FIG. 6;

FIG. 8 is a cross-sectional view of FIG. 10 taken along the
line III—III;

FIG. 9 is a rear elevational view of FIG. 6; and,

FIG. 10 is a side elevational view of FIG. 6, the opposite side
elevational view being a mirror image thereof.

1 Claim, 4 Drawing Sheets

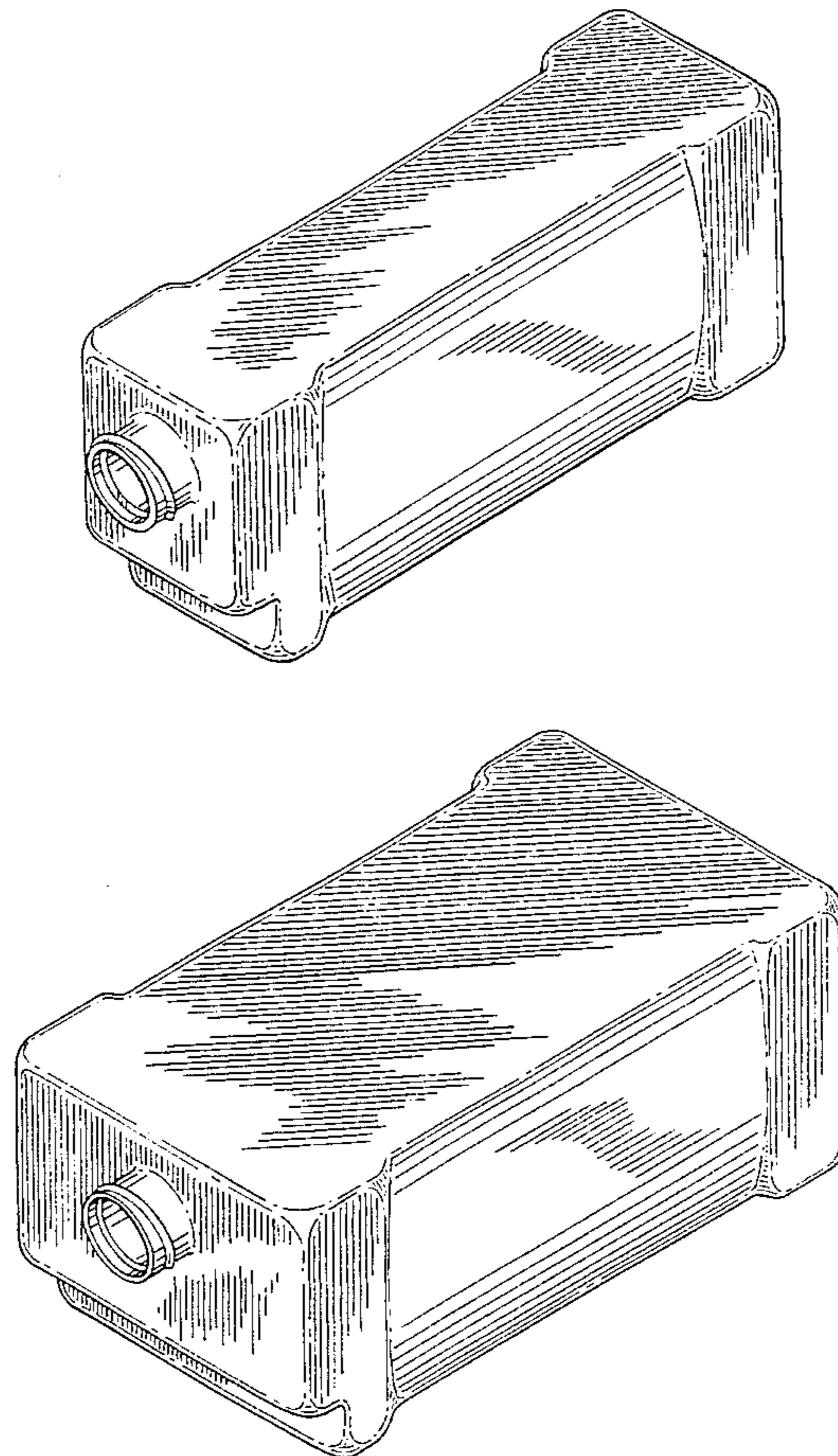


FIG. 1

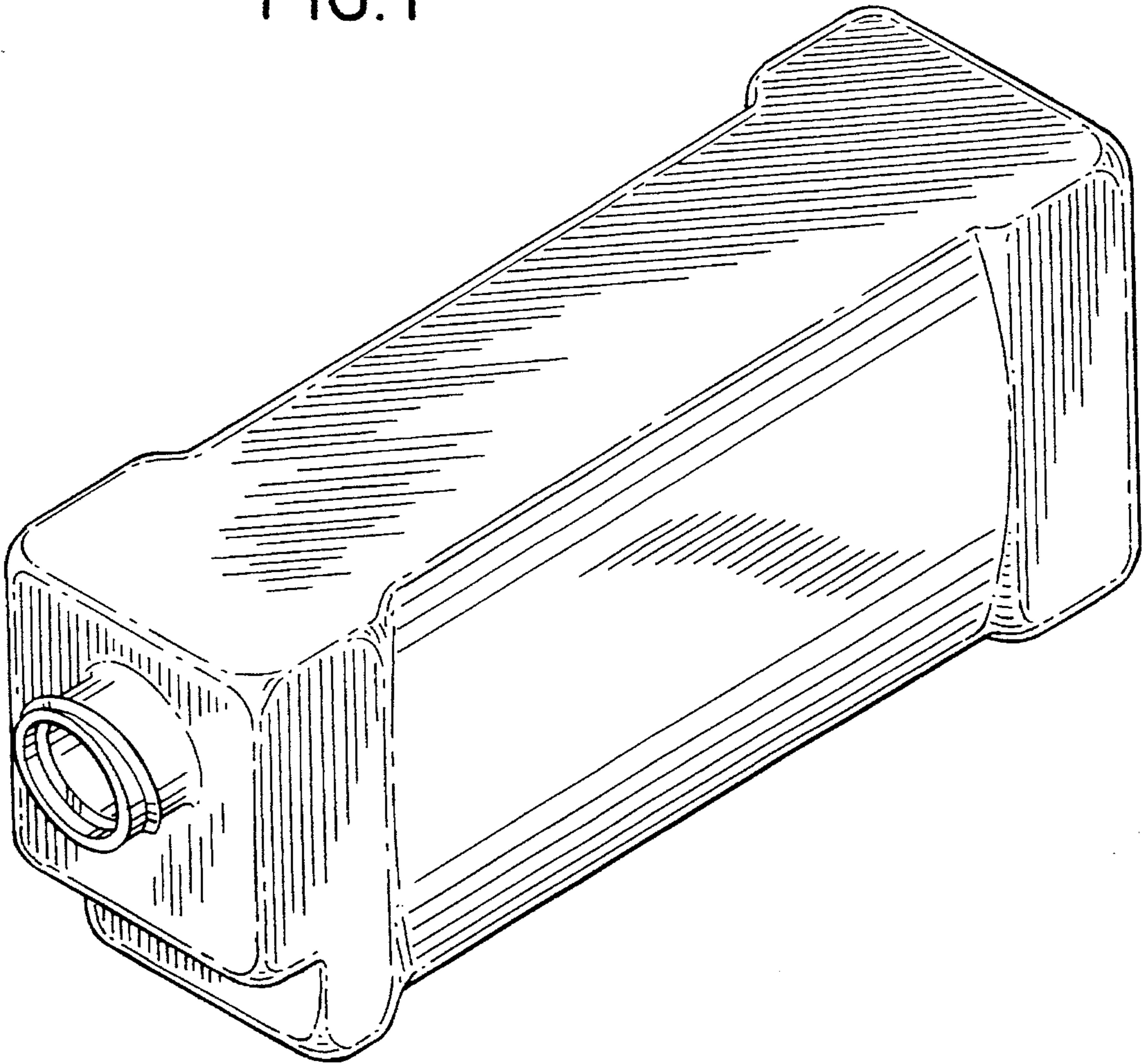


FIG. 2

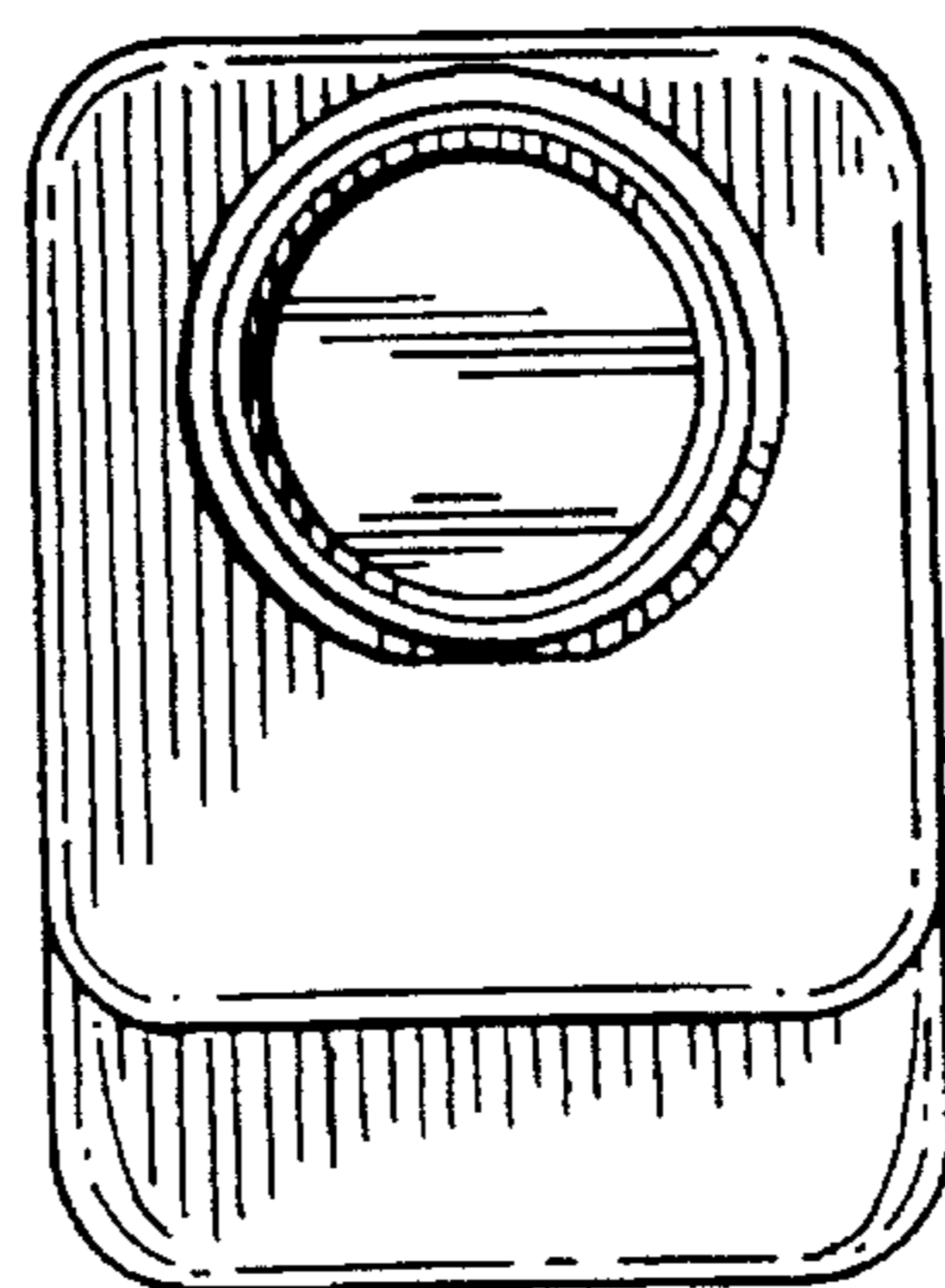


FIG. 3

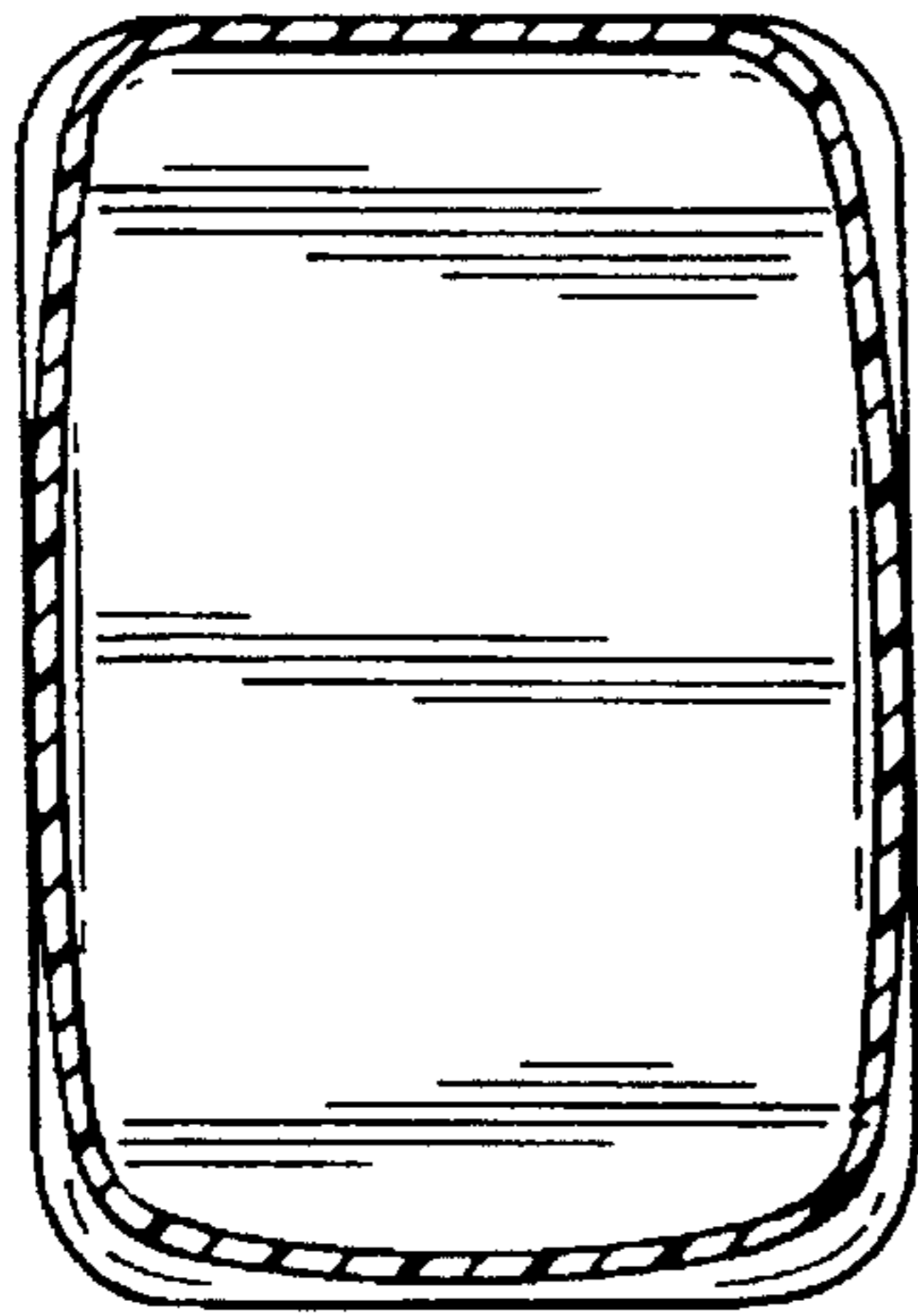


FIG. 4

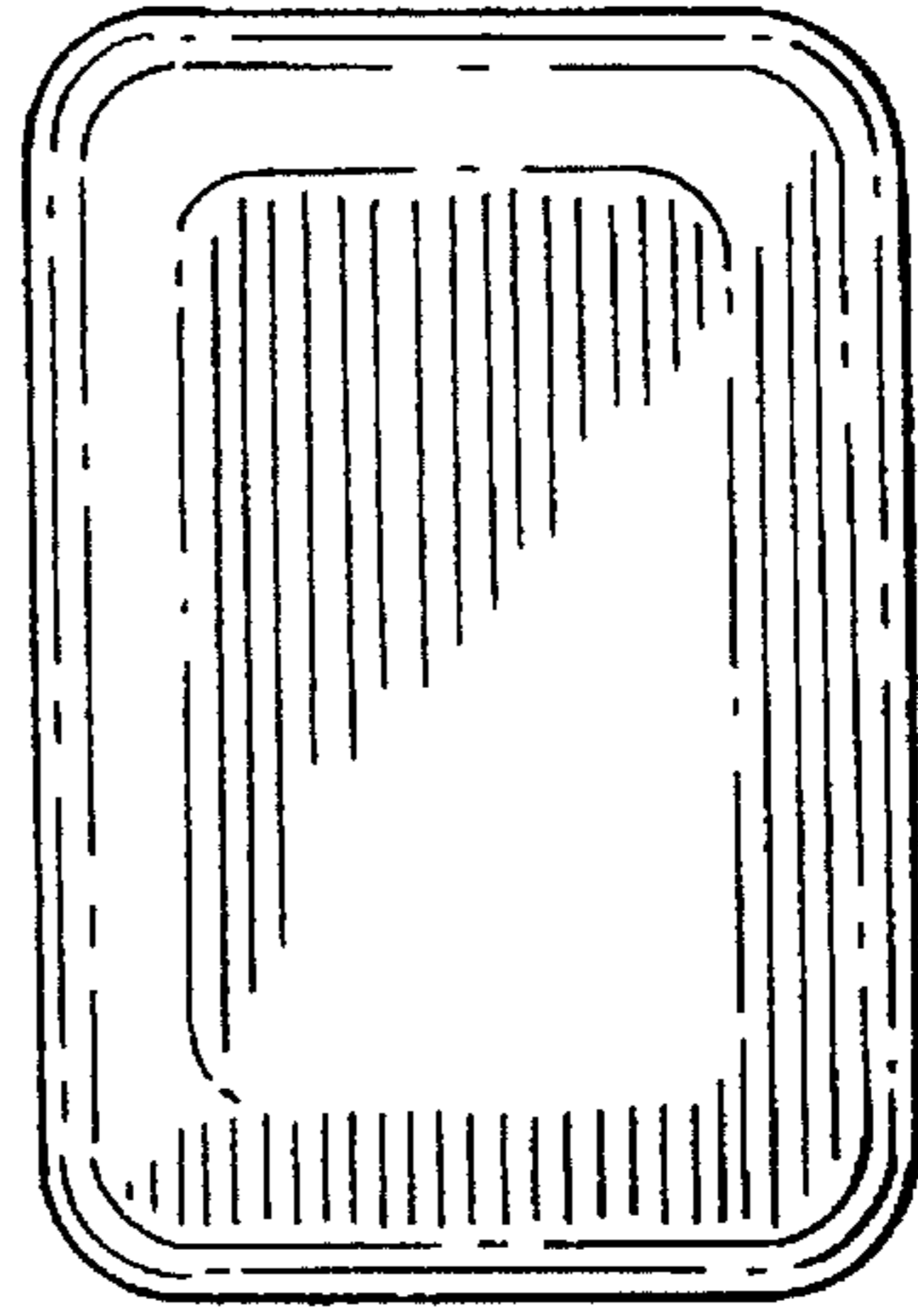


FIG. 5

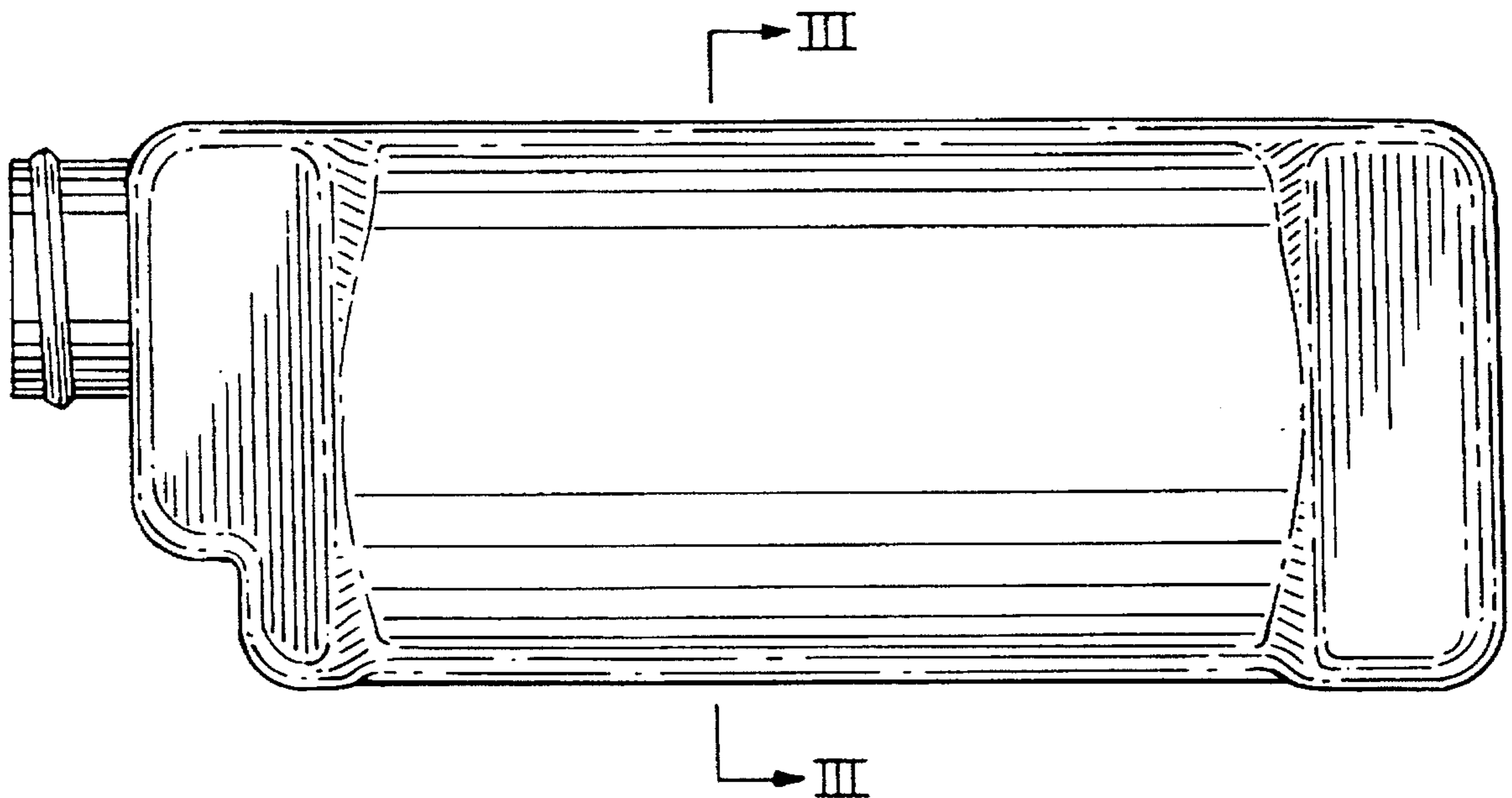


FIG. 6

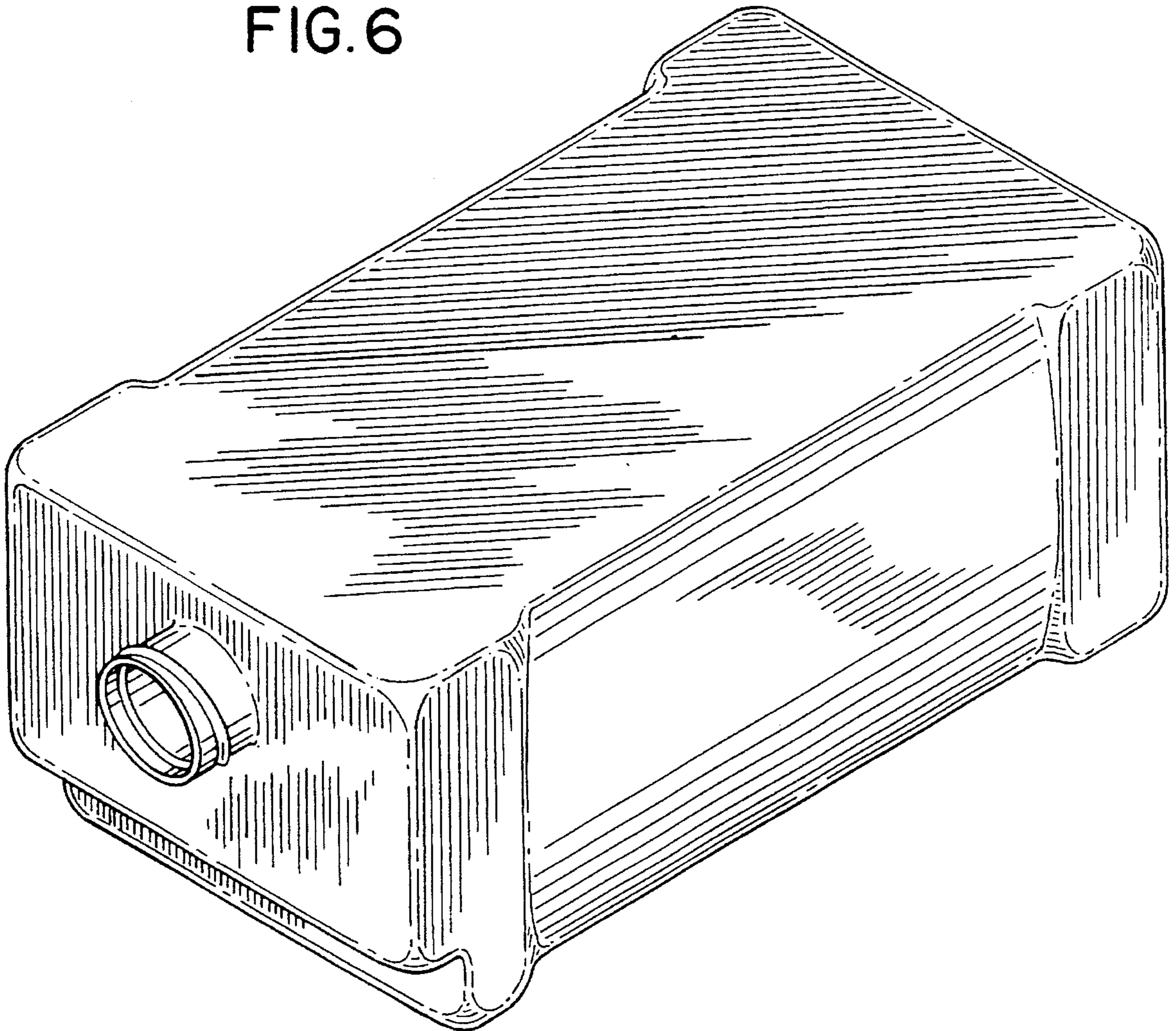


FIG. 7

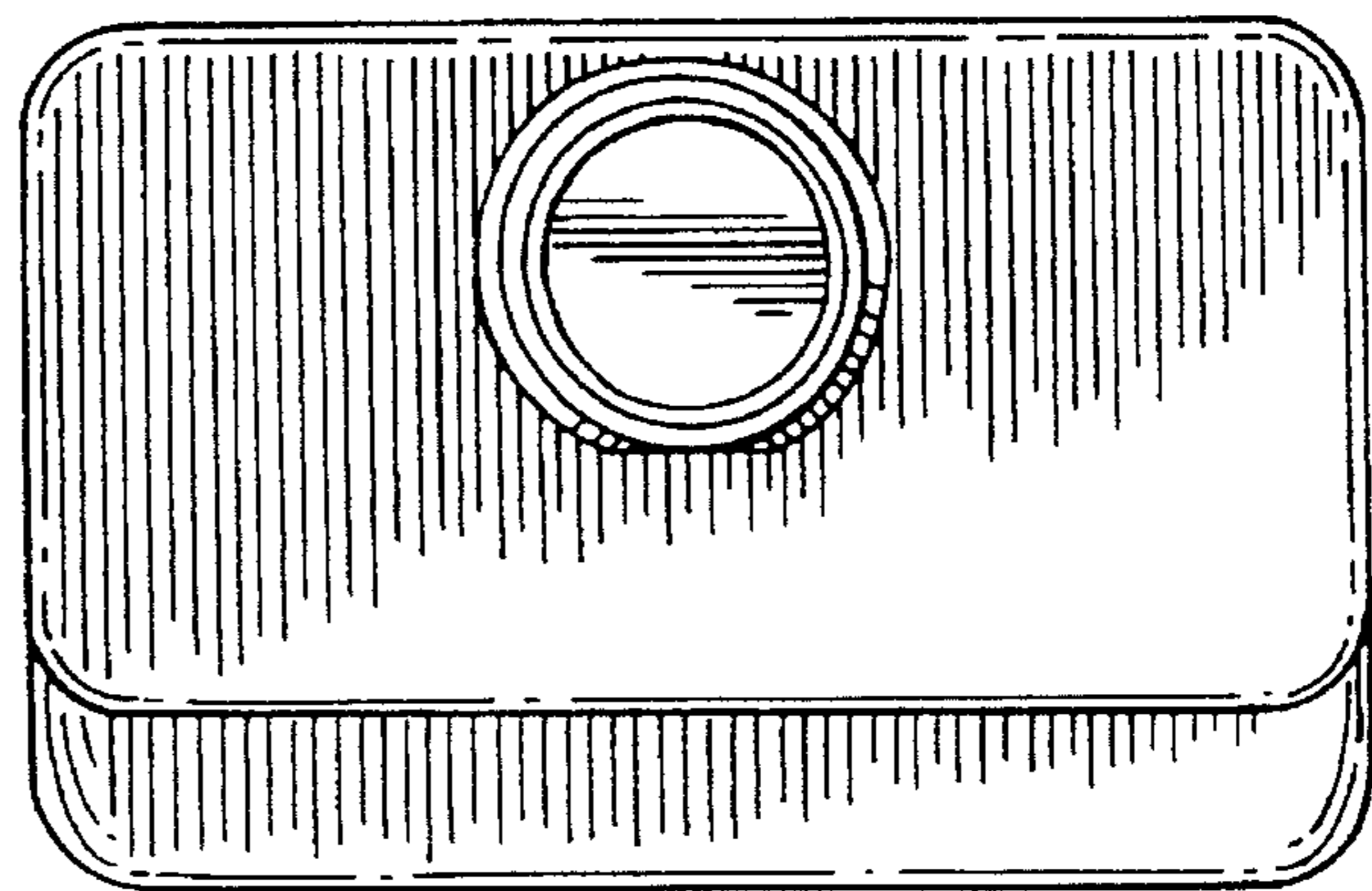


FIG. 8

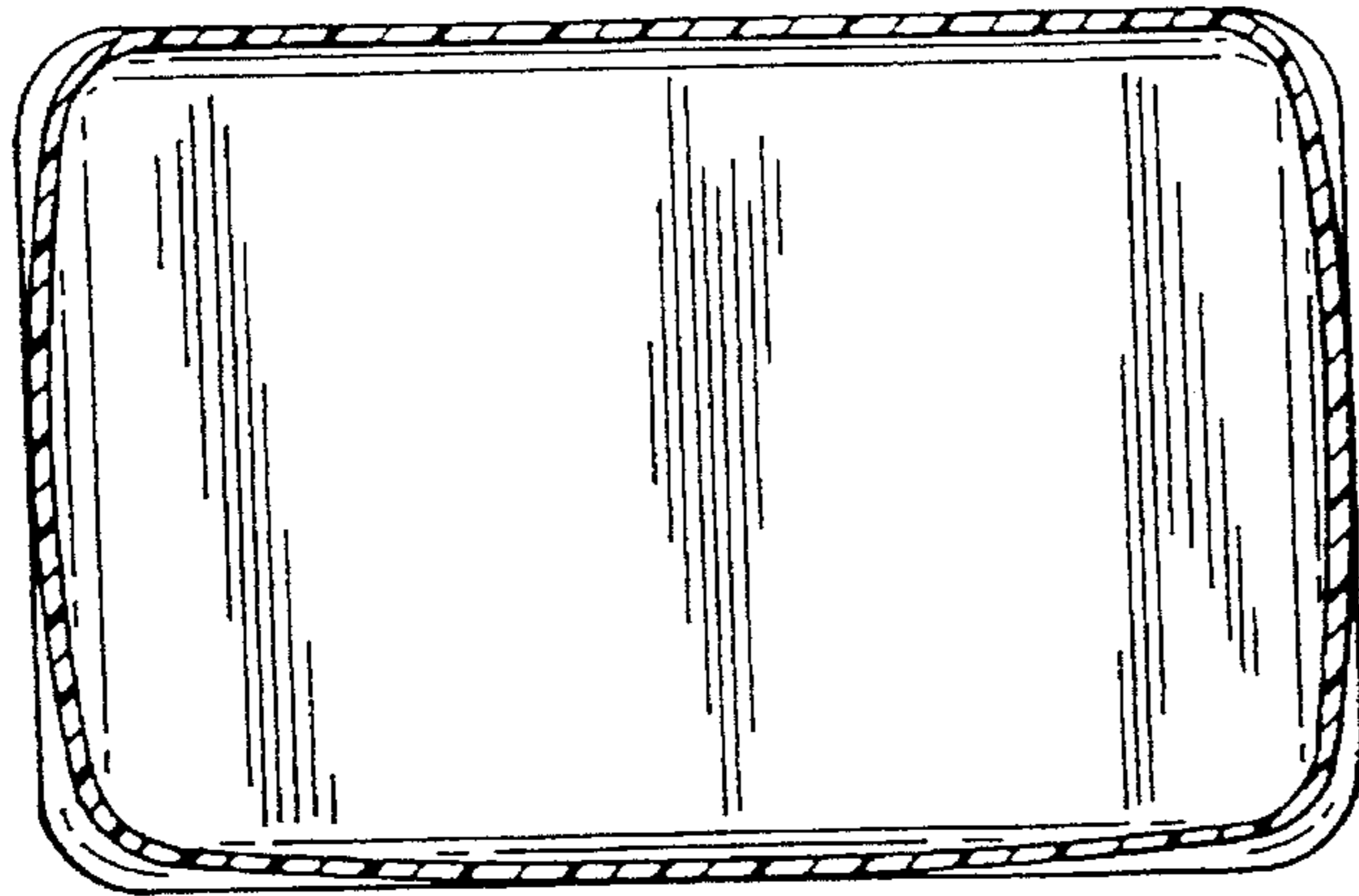


FIG. 9

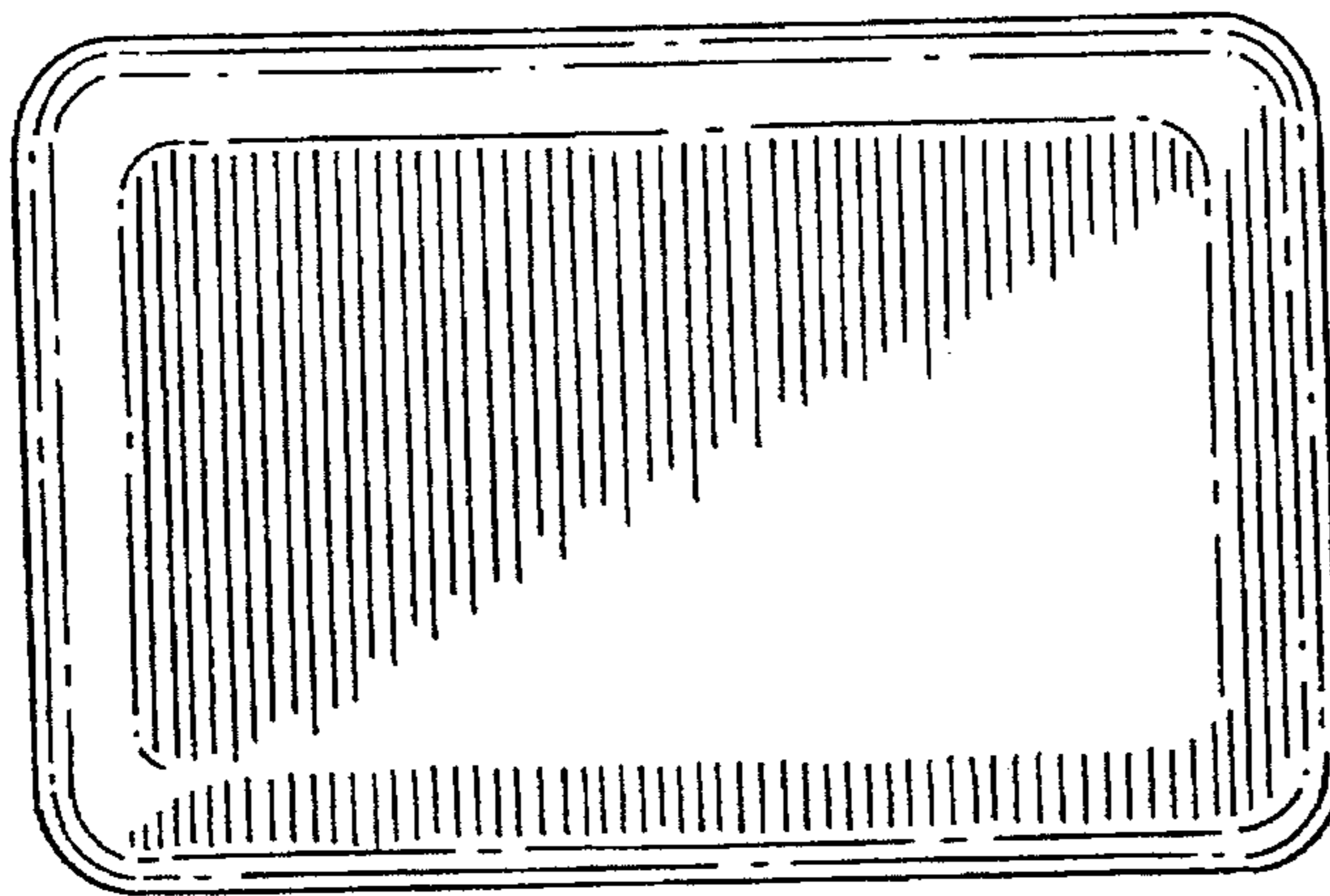


FIG. 10

