



US00D376207S

United States Patent [19]

[11] Patent Number: **Des. 376,207**

Buczek et al.

[45] Date of Patent: ****Dec. 3, 1996**

[54] OPHTHALMIC LASER

[75] Inventors: **Mark Buczek**, San Marcos; **Bruno Dacquay**, Irvine; **James R. Dennewill**, Lakewood; **K. Allen Le**, Orange; **Leonard Rodriguez**, Hacienda Height; **Philip J. D'Almada Remedios**, Garden Grove; **Douglas F. Walker**, Long Beach, all of Calif.

[73] Assignee: **Alcon Laboratories, Inc.**, Fort Worth, Tex.

[**] Term: **14 Years**

[21] Appl. No.: **47,942**

[22] Filed: **Dec. 15, 1995**

[52] U.S. Cl. **D24/172; D24/138**

[58] Field of Search **D24/137, 138, D24/172; 606/4, 5, 10, 16, 18, 17; 128/898; 604/4, 11**

[56] References Cited

U.S. PATENT DOCUMENTS

D. 202,552	10/1965	Rose	D24/137 X
D. 243,115	1/1977	Ziegler et al	D24/138 X
D. 280,762	9/1985	LaCelle et al.	.	
D. 285,484	9/1986	LaCelle et al.	.	
D. 286,325	10/1986	LaCelle et al.	.	
D. 300,241	3/1989	LaCelle et al.	.	
D. 338,272	8/1993	Cunagin et al.	.	
D. 349,340	8/1994	Snoke et al.	D24/138
D. 352,106	11/1994	Fanney et al.	.	
4,625,731	12/1986	Quedens et al.	.	
4,793,345	12/1988	Lehmer	.	
5,098,426	3/1992	Skler et al.	606/4 X
5,157,603	10/1992	Scheller et al.	.	
5,304,168	4/1994	Jun	606/4
5,310,344	5/1994	Vassiliadis et al.	606/15 X
5,468,239	11/1995	Tanner et al.	606/15
5,500,918	3/1996	Pileski et al.	606/16 X

FOREIGN PATENT DOCUMENTS

0424686A1 9/1990 European Pat. Off. .

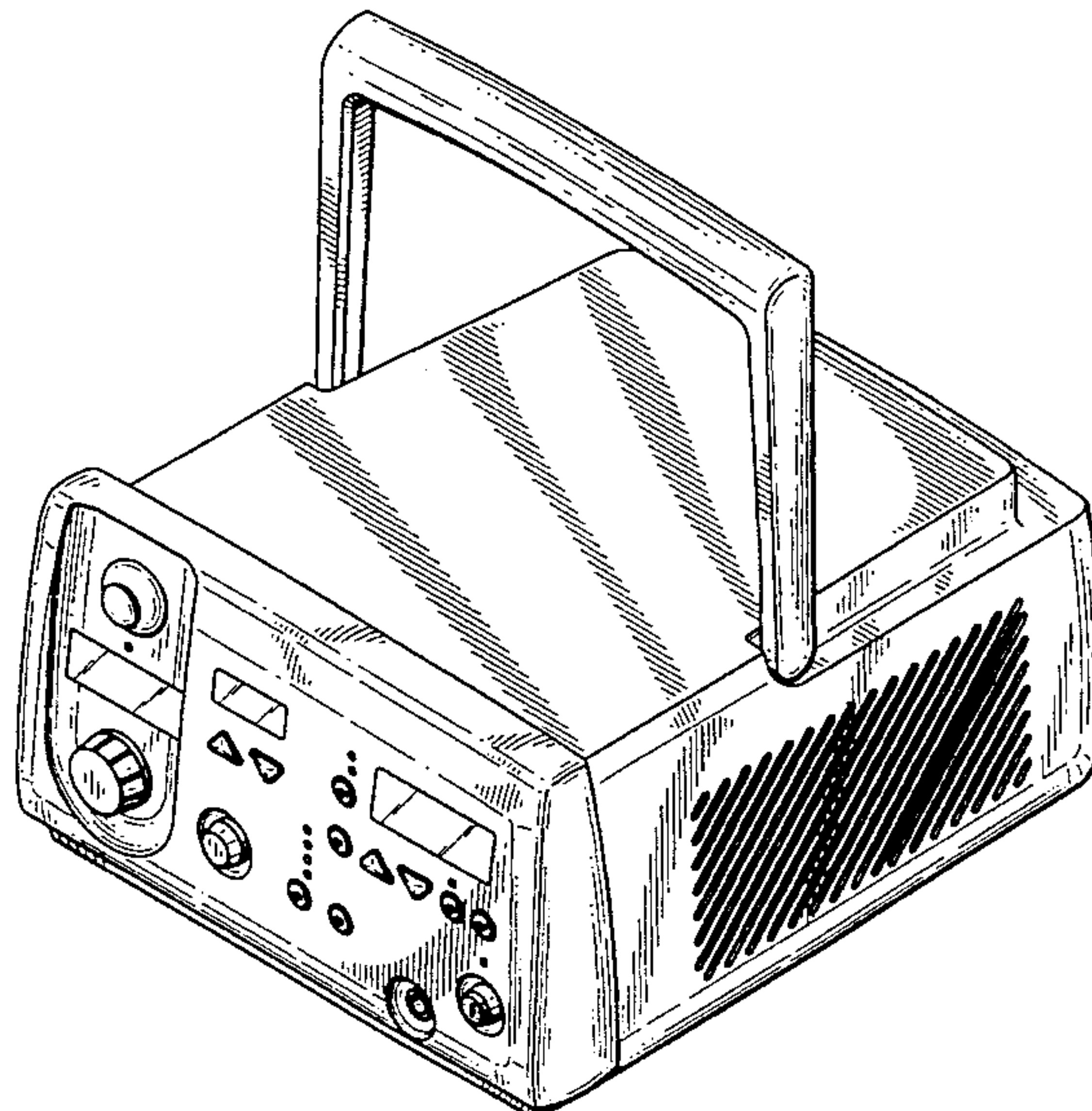
OTHER PUBLICATIONS

Coopervision Surgical brochure for the Series Ten Thousand® Ocutome® Vitreoretinal Systems, copyright 1988.
 Coopervision Surgical brochure for the Cavitron/Kelman® Model 6500 E.I.S.™ and the Model 7500 I/A System III™ with AVIT™, copyright 1983.
 Coopervision Surgical brochure for the Ocutome® Model 8800/Fragmatome® Model 8300, copyright 1986.
 Coopervision Surgical brochure for the Coopervision System VI™, copyright 1986.
 Coopervision Surgical brochure for the KCPv Phaco-Emulsifier®, copyright 1986.
 Coopervision Surgical brochure for the Master, Series Ten Thousand™, copyright 1986.
 Coopervision Surgical brochure for the Cavitron/Kelman® Phaco-Emulsifier® Aspirator Model 9001, copyright 1985.
 Coopervision Surgical brochure for the Cavitron/Kelman® Phaco-Emulsifier® Aspirator Model 8001, copyright 1985.
 Operation Manual for Storz Premiere Microsurgical Systems, 1988.
 Brochure on the KaVo Key Laser® 1242 The Second Generation, copyright 1995.
 AESCULP® MEDITEC Brochure on The Er: YAG Laser System for skin ablation, MCL 29 Demablate, copyright 1995.
 AESCULAP® MEDITEC Brochure on The Er: YAG Laser System for ophthalmic microsurgery, MCL 29 Demablate, copyright 1995.
 AESCULAP® MEDITEC Brochure on the Er: YAG Laser System for ocular photodisruption MQL II, copyright 1995.
 AESCULAP® MEDITEC Brochure on Dermatologic Argon Laser, DLS 5, copyright 1995.
 AESCULAP® MEDITEC Brochure on The Argon Laser System for the ophthalmologist, ARGUS, copyright 1995.
 AESCULAP® MEDITEC Brochure on The Excimer Laser for the ophthalmologist, MEL60 copyright 1995.

Primary Examiner—Louis S. Zarfes
Assistant Examiner—I. Simmons
Attorney, Agent, or Firm—Jeffrey S. Schira

[57] CLAIM

The ornamental design for an ophthalmic laser, as shown and described.



DESCRIPTION

FIG. 1 is a perspective view of the present invention with the handle down showing the front, top and left side;

FIG. 2 is a front elevational view of the present invention;

FIG. 3 is a rear elevational view of the present invention;

FIG. 4 is a top plan view of the present invention;

FIG. 5 is a left elevational view of the present invention;

FIG. 6 is a bottom plan view of the present invention;

FIG. 7 is a right elevational view of the present invention;
and,

FIG. 8 is a perspective view of the present invention similar to FIG. 1 only with the handle raised showing the front, top and left side.

1 Claim, 5 Drawing Sheets

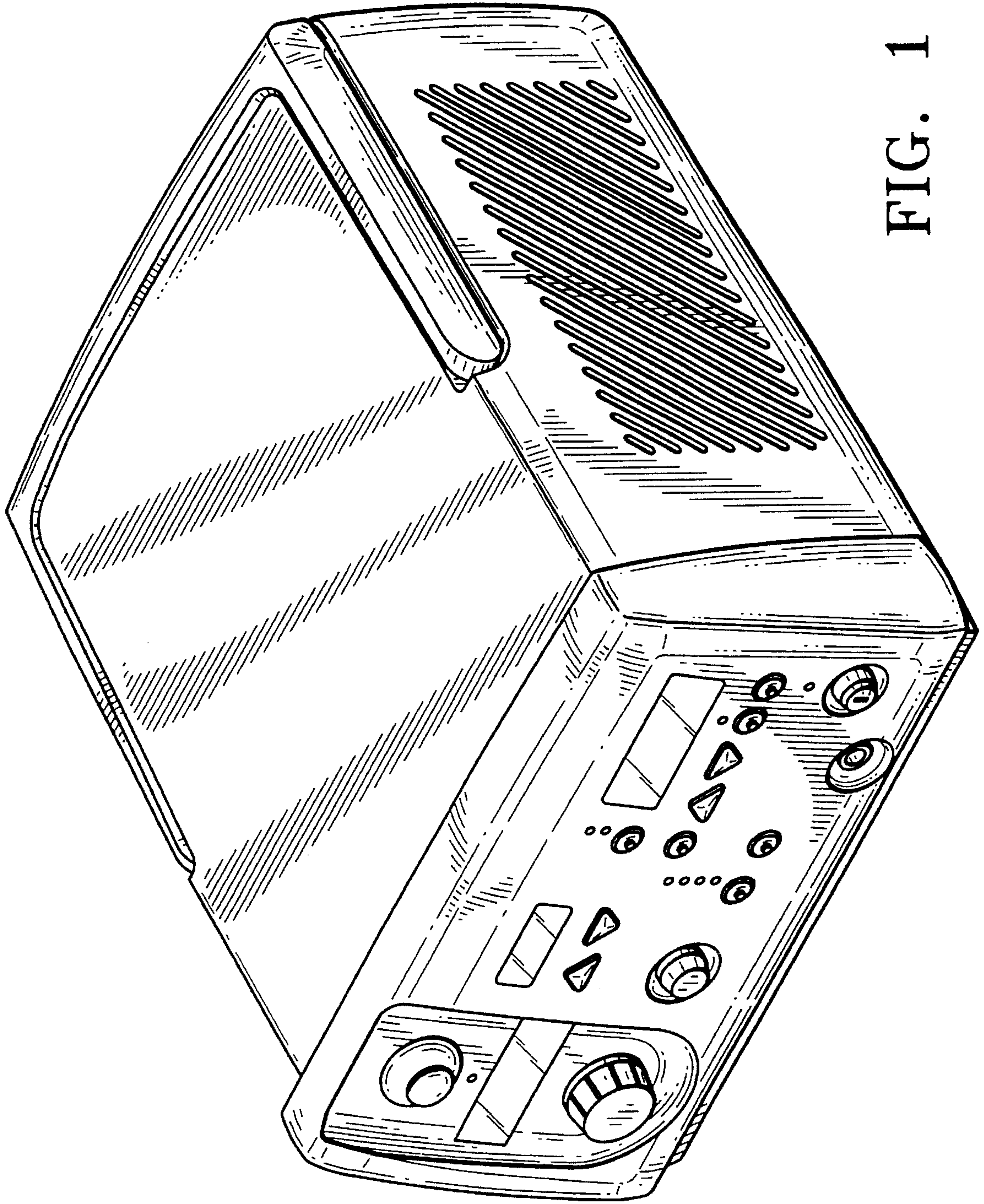


FIG. 1

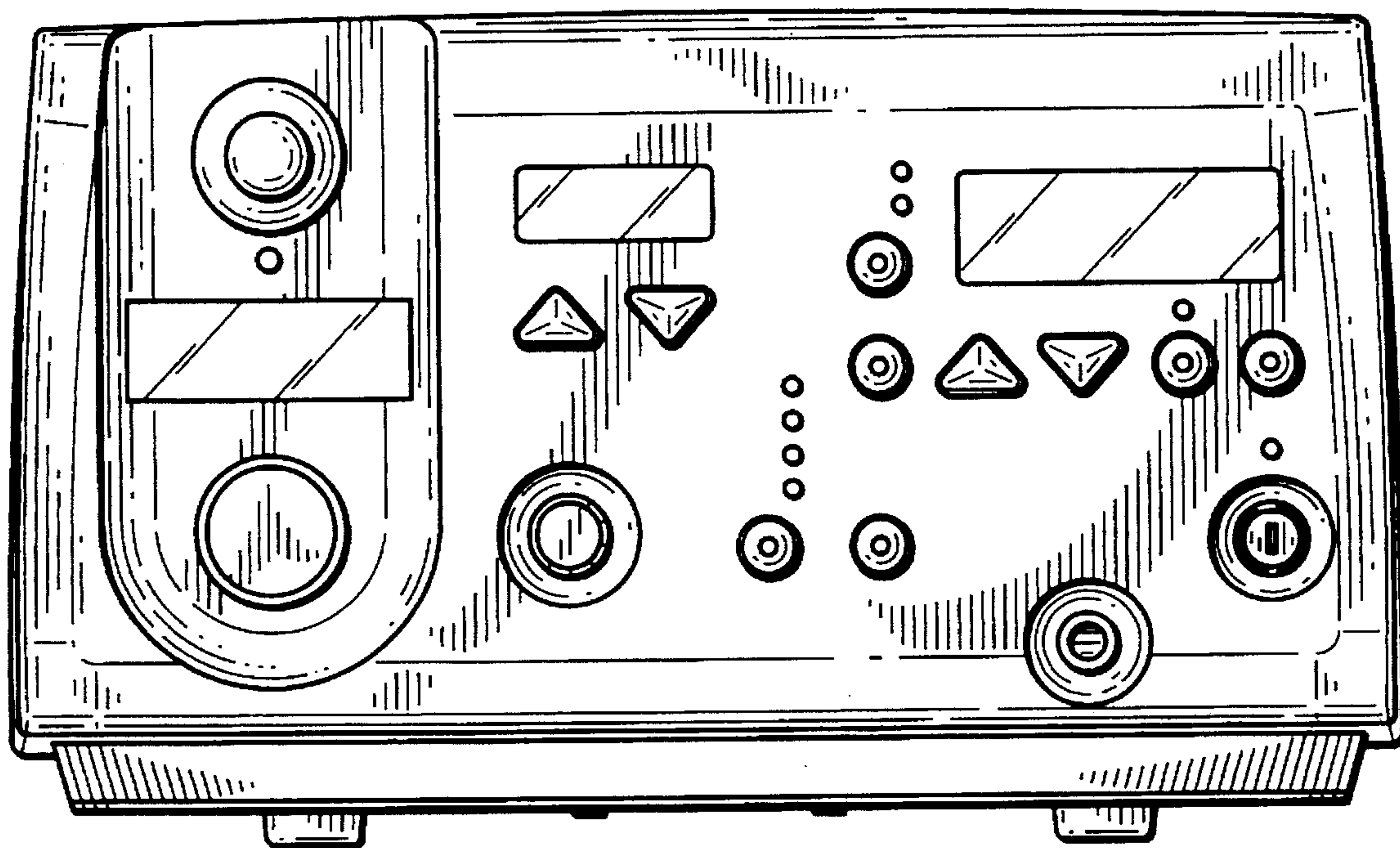


FIG. 2

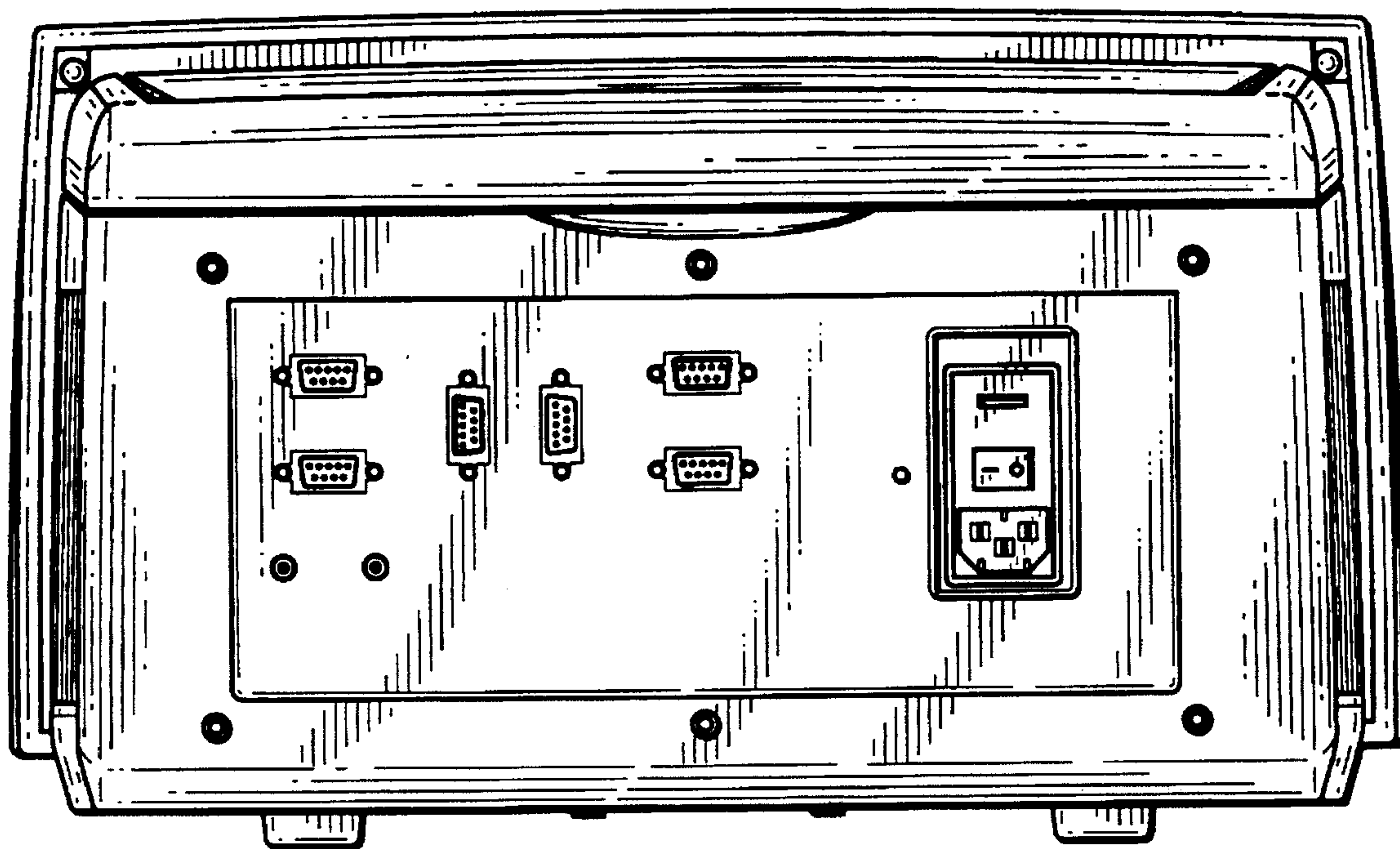


FIG. 3

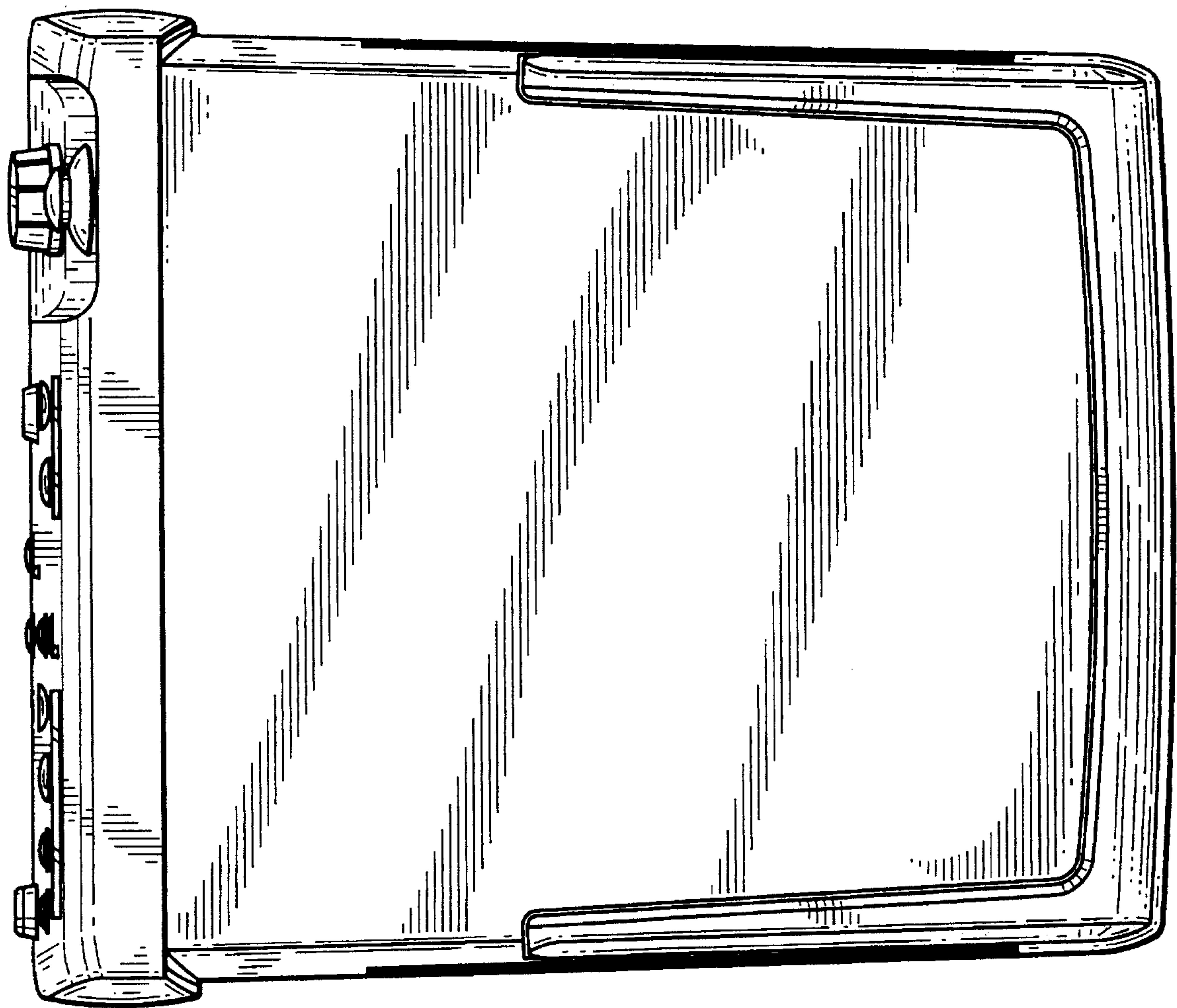


FIG. 4

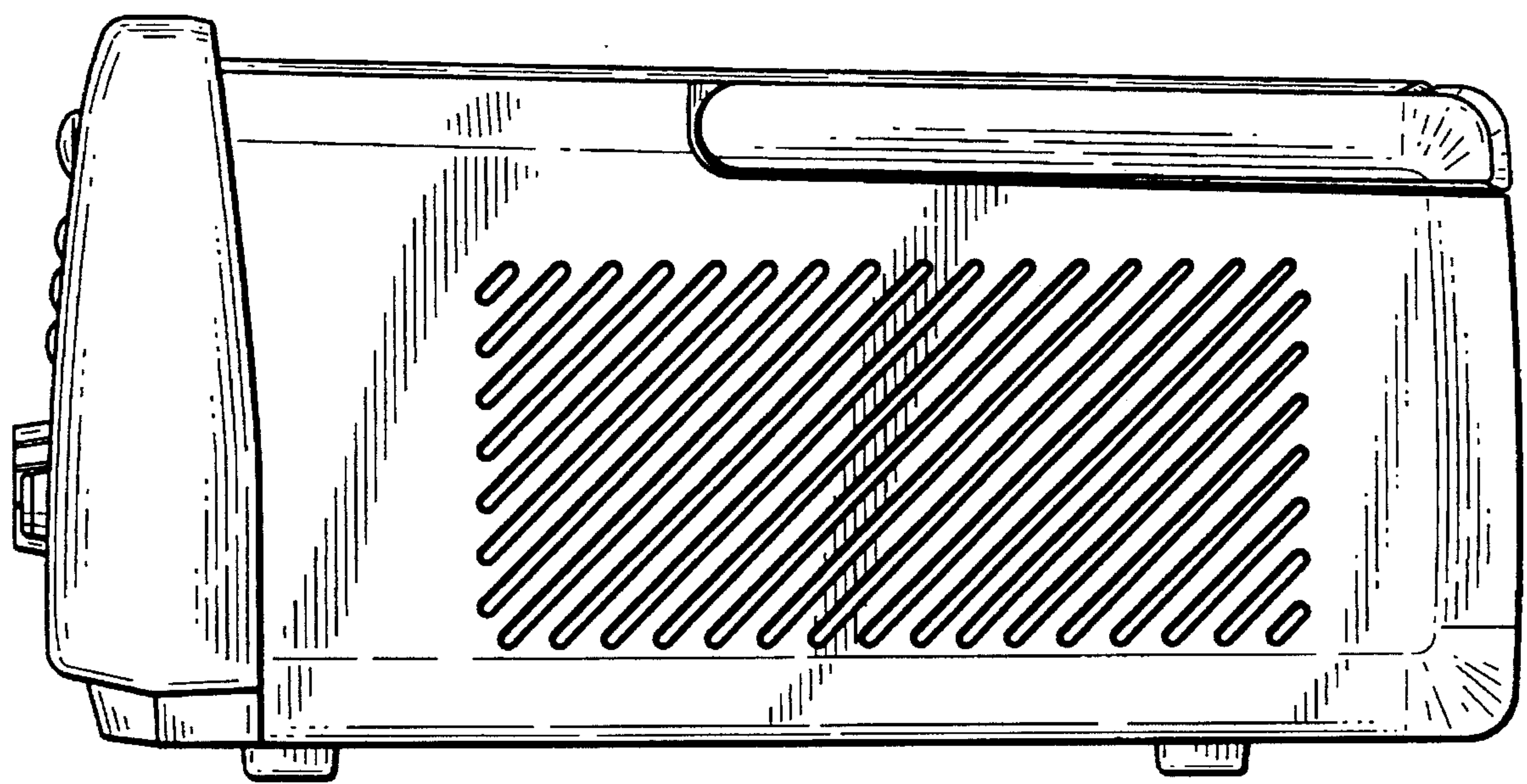


FIG. 5

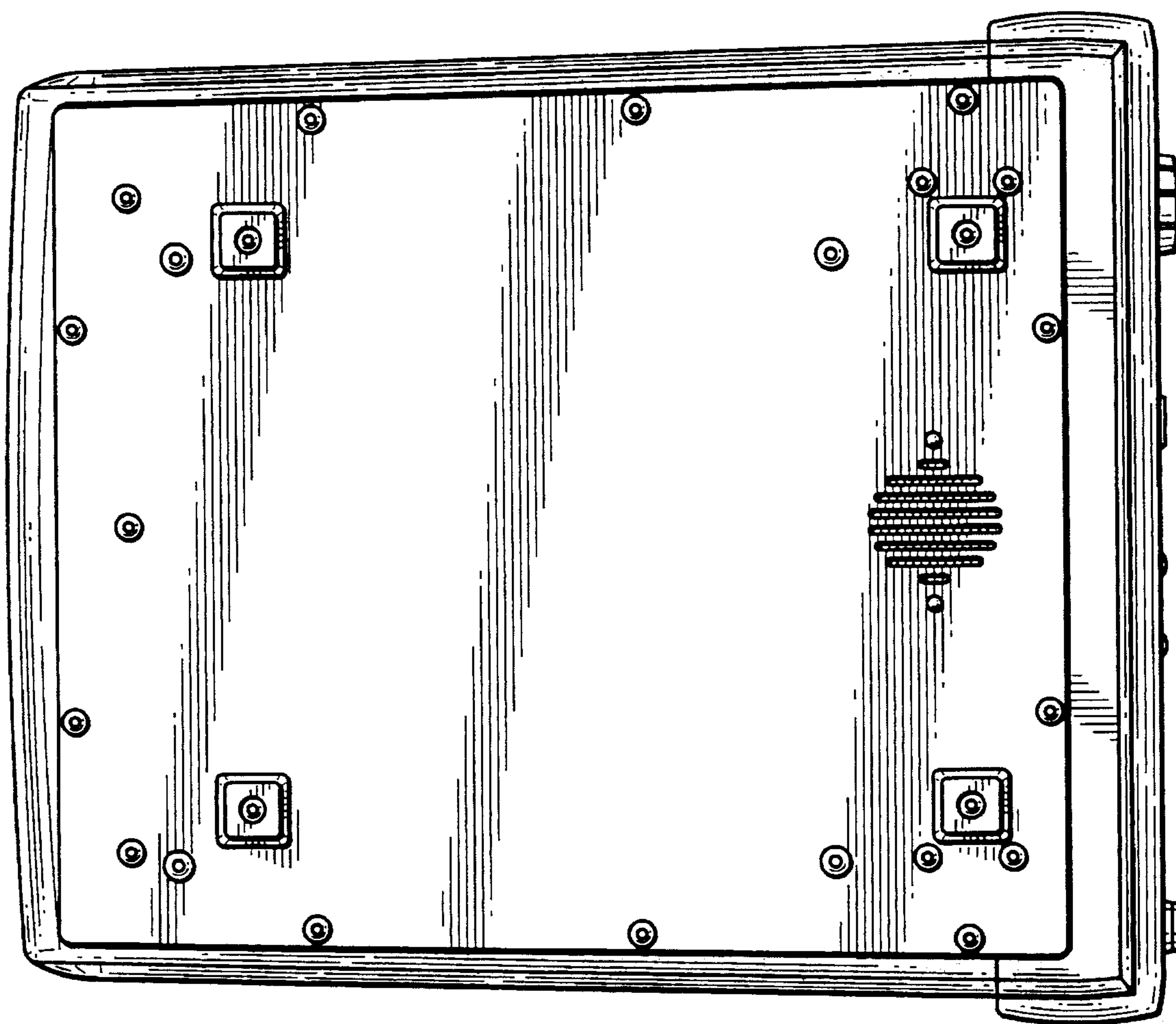


FIG. 6

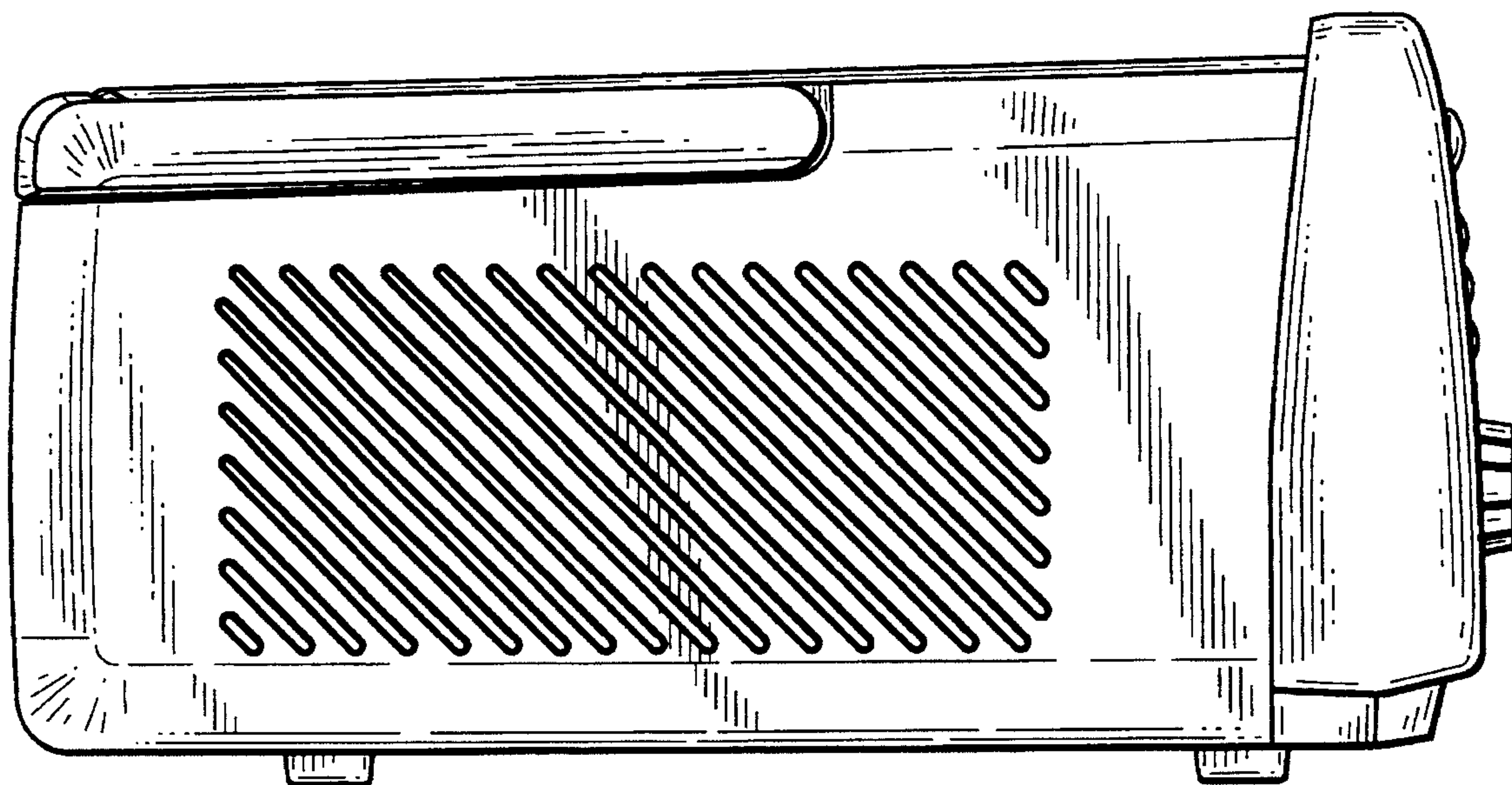


FIG. 7

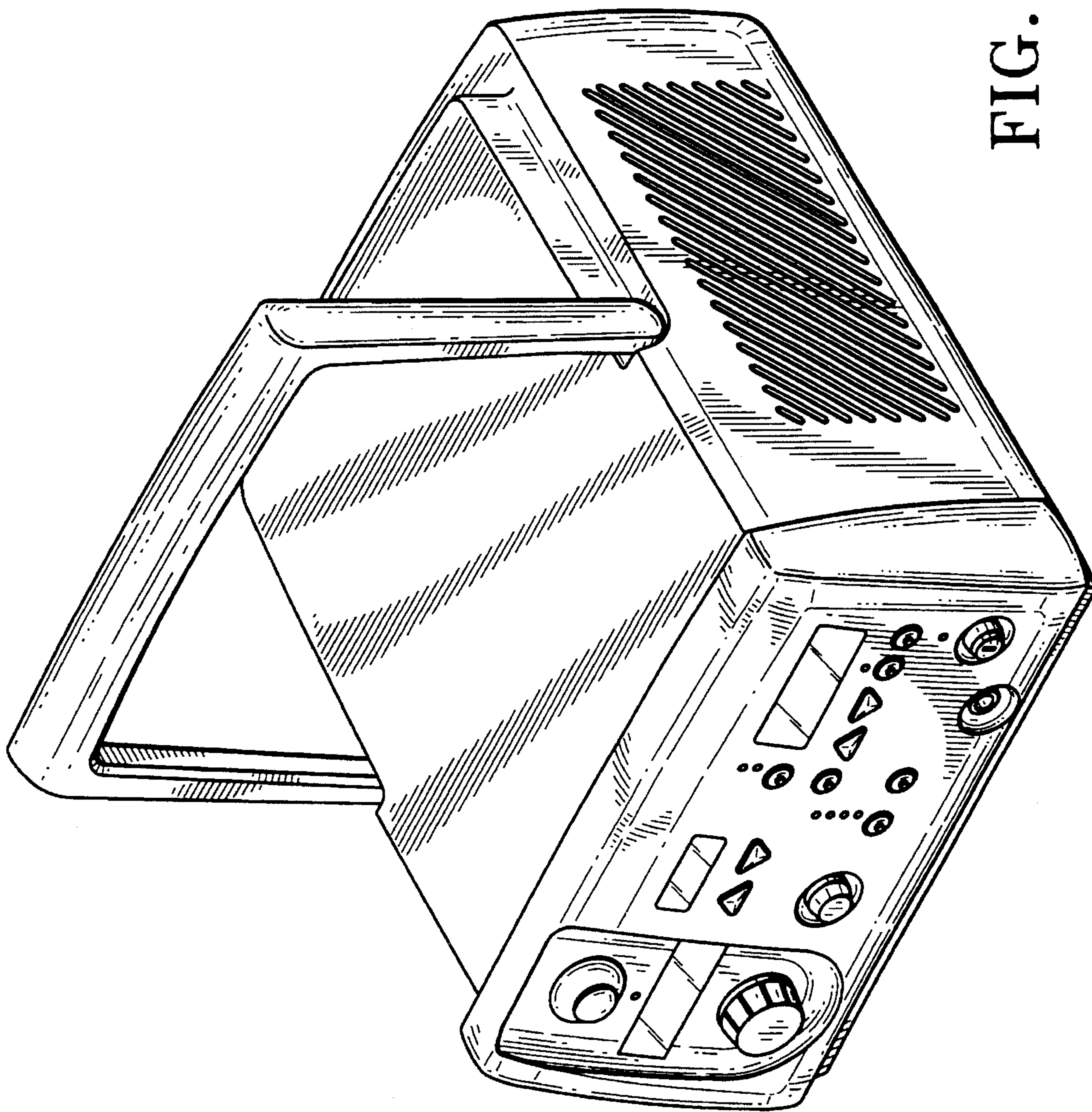


FIG. 8