



US00D376206S

**United States Patent** [19]  
**Reif**

[11] **Patent Number:** **Des. 376,206**

[45] **Date of Patent:** **\*\*Dec. 3, 1996**

[54] **HEART VALVE LOCKING RING**

[75] Inventor: **Thomas H. Reif**, Vero Beach, Fla.

[73] Assignee: **Republic Medical Inc.**, Vero Beach, Fla.

[\*\*] Term: **14 Years**

[21] Appl. No.: **36,662**

[22] Filed: **Mar. 24, 1995**

[52] U.S. Cl. .... **D24/155**

[58] Field of Search ..... **D24/155; 623/2**

[56] **References Cited**

**U.S. PATENT DOCUMENTS**

4,863,460	9/1989	Magladry .....	623/2
5,071,431	12/1991	Sauter et al. ....	623/2
5,397,348	3/1995	Campbell et al. ....	623/2
5,443,502	8/1995	Caudillo et al. ....	623/2

*Primary Examiner*—Stella Reid

*Attorney, Agent, or Firm*—Albert H. Reuther

[57] **CLAIM**

The ornamental design for heart valve locking ring, as shown and described.

**DESCRIPTION**

FIG. 1 is a top perspective view of the heart valve locking ring in unlocked position;

FIG. 2 is a top plan view of the unlocked ring of FIG. 1;

FIG. 3 is a side elevational view of the locking ring of the heart valve locking ring of FIG. 1;

FIG. 4 is an elevational view of the heart valve locking ring showing an opposite side from that illustrated in FIG. 3;

FIG. 5 is a bottom plan view of the heart valve locking ring of FIG. 1;

FIG. 6 is a fragmentary top view of the locking ring in detail greatly enlarged;

FIG. 7 is a fragmentary bottom view of the locking ring detail of FIG. 6;

FIG. 8 is a perspective view of the heart valve locking ring in locked position;

FIG. 9 is a top plan view of the heart valve locking ring in locked position according to FIG. 8;

FIG. 10 is a side elevational view of the heart valve locking ring in locked position;

FIG. 11 is a side elevational view as seen for an opposite side from that illustrated in FIG. 10;

FIG. 12 is a bottom plan view of the heart valve locking ring in locked position;

FIG. 13 is a fragmentary top view of the locking ring in detail; and,

FIG. 14 is a fragmentary bottom view of the locking ring in locked position in detail according to FIG. 13.

**1 Claim, 2 Drawing Sheets**

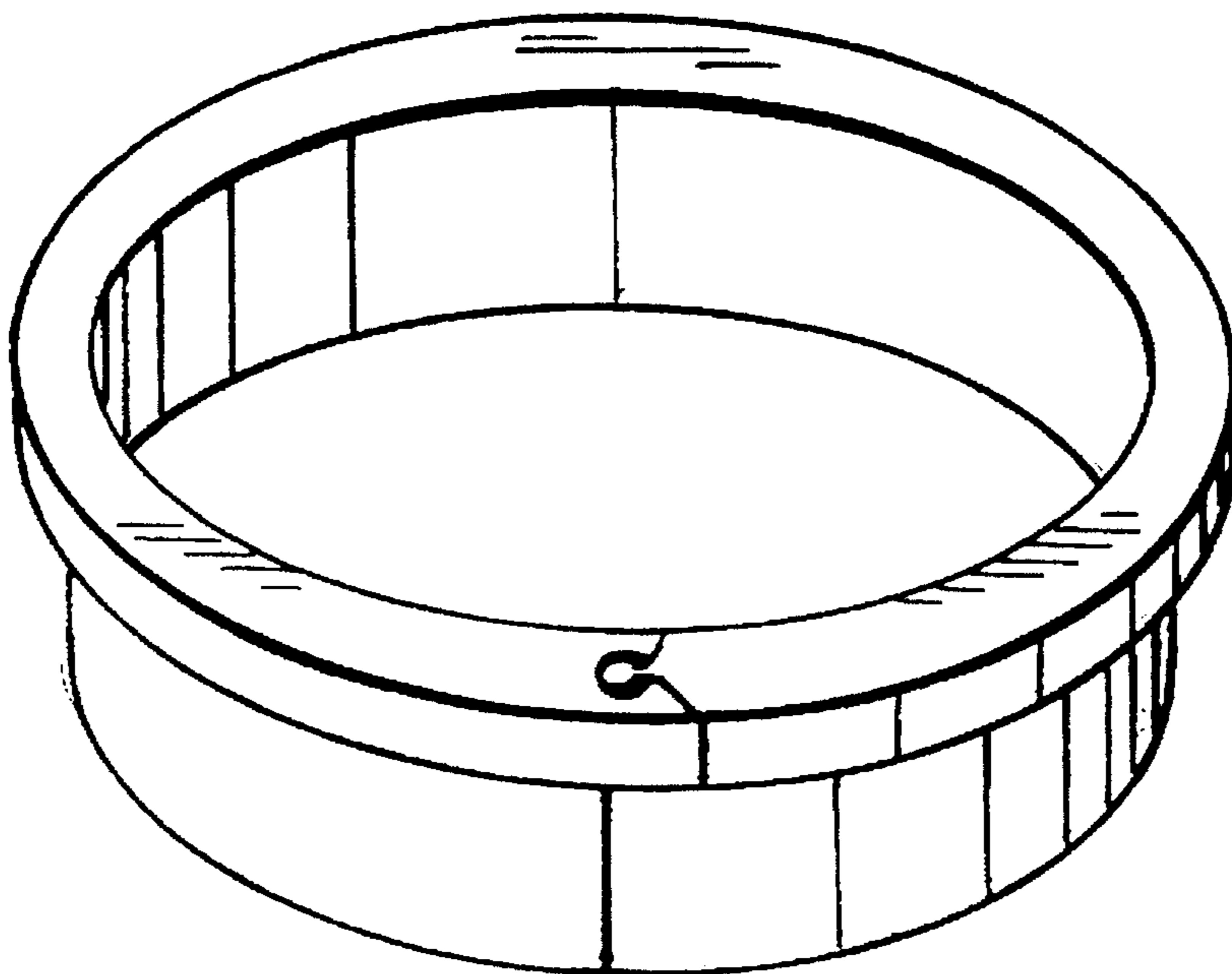


FIG-1

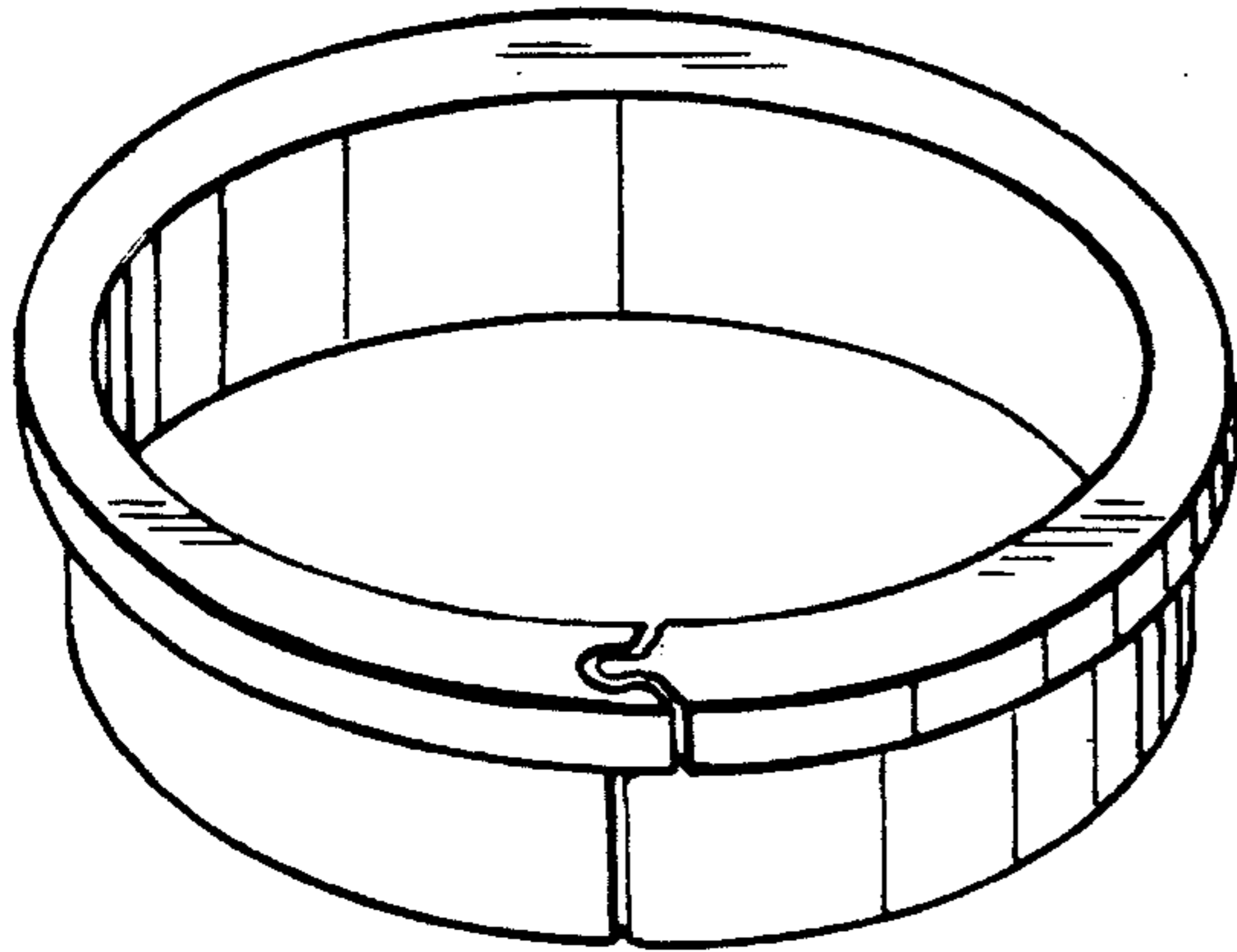


FIG-2

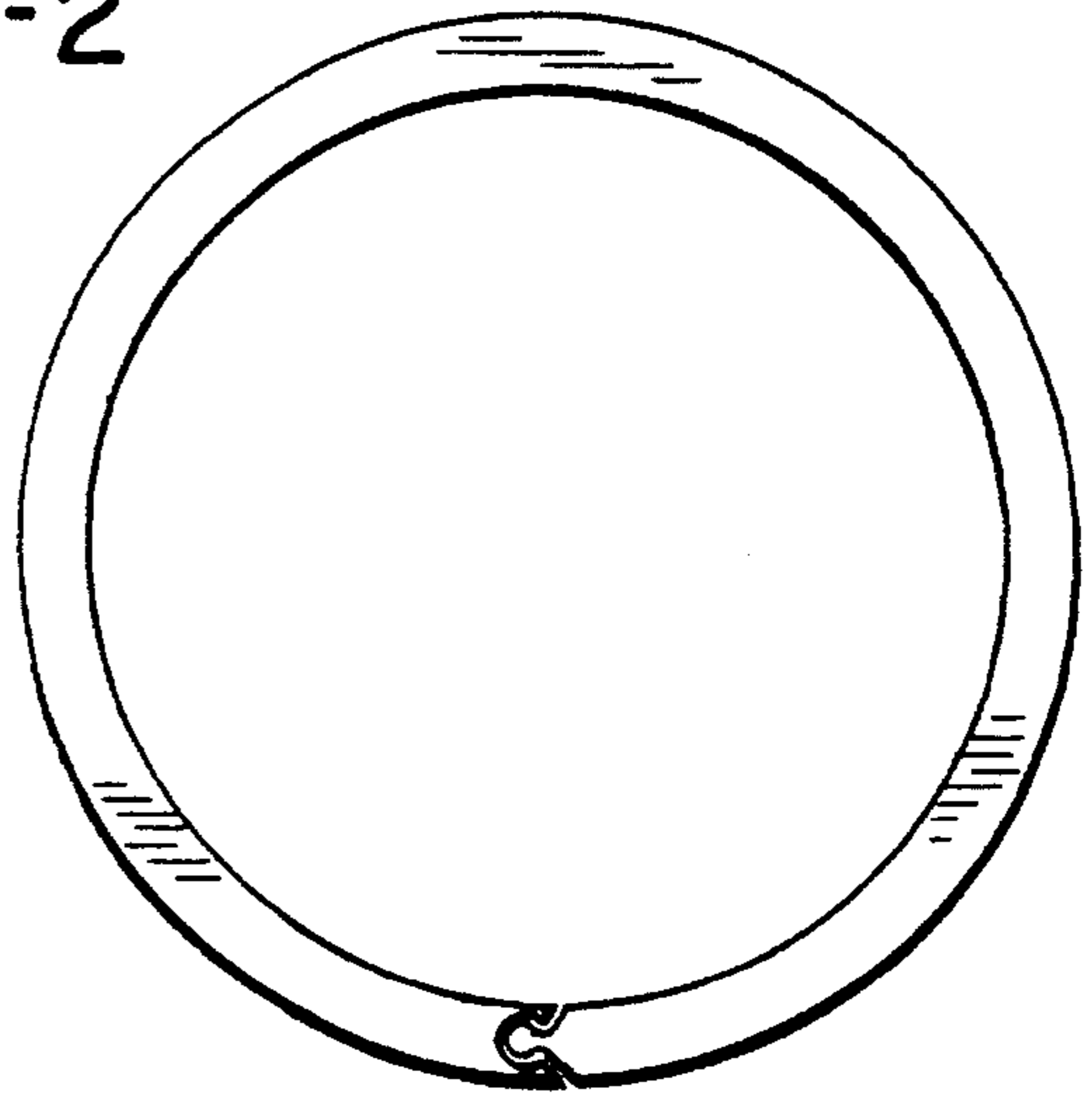


FIG-3

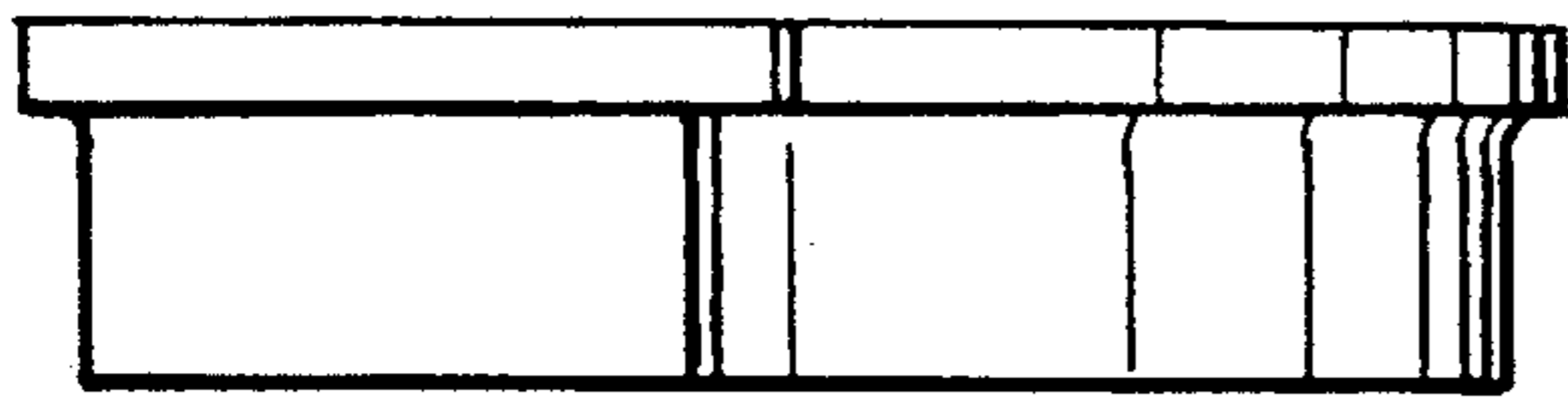


FIG-5

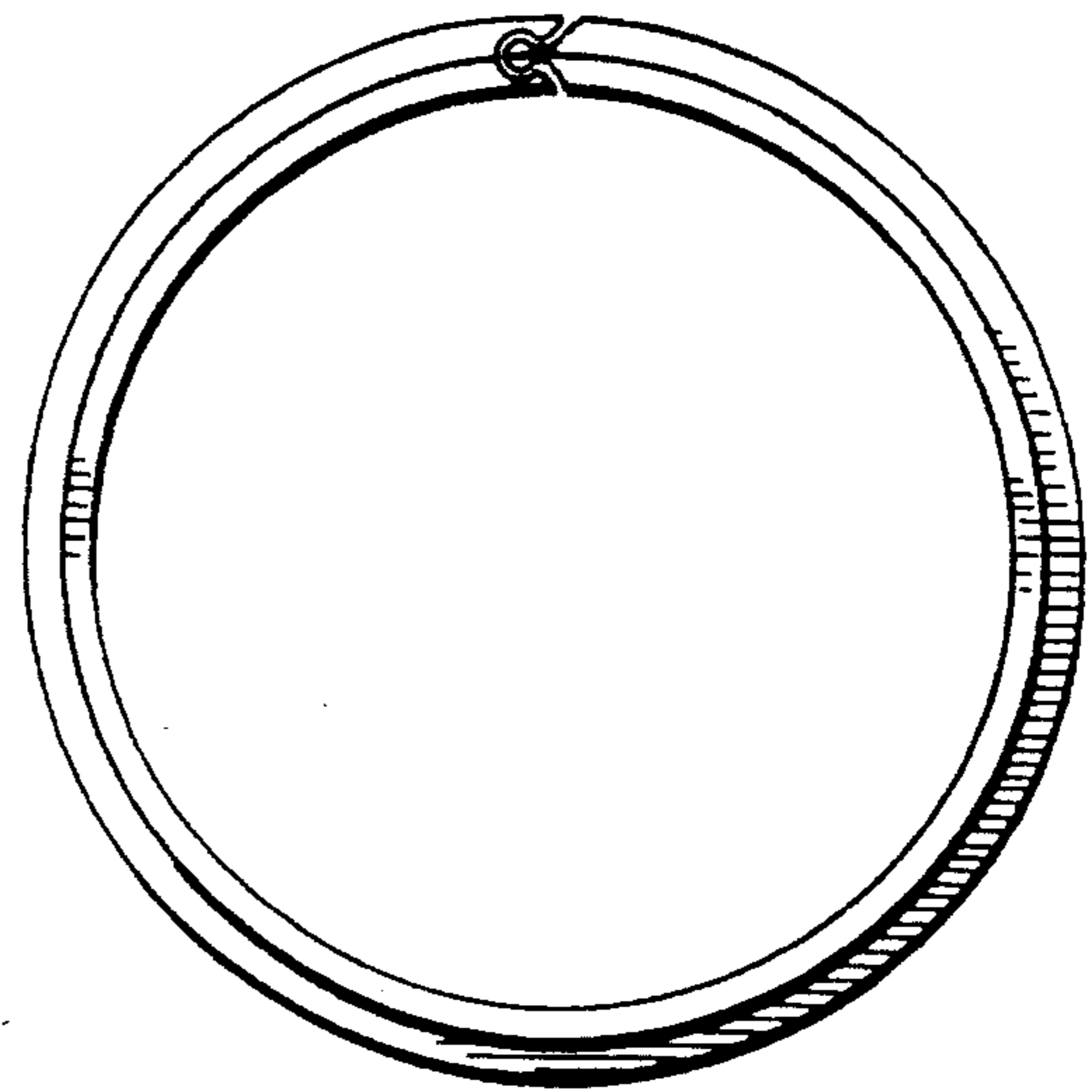


FIG-4

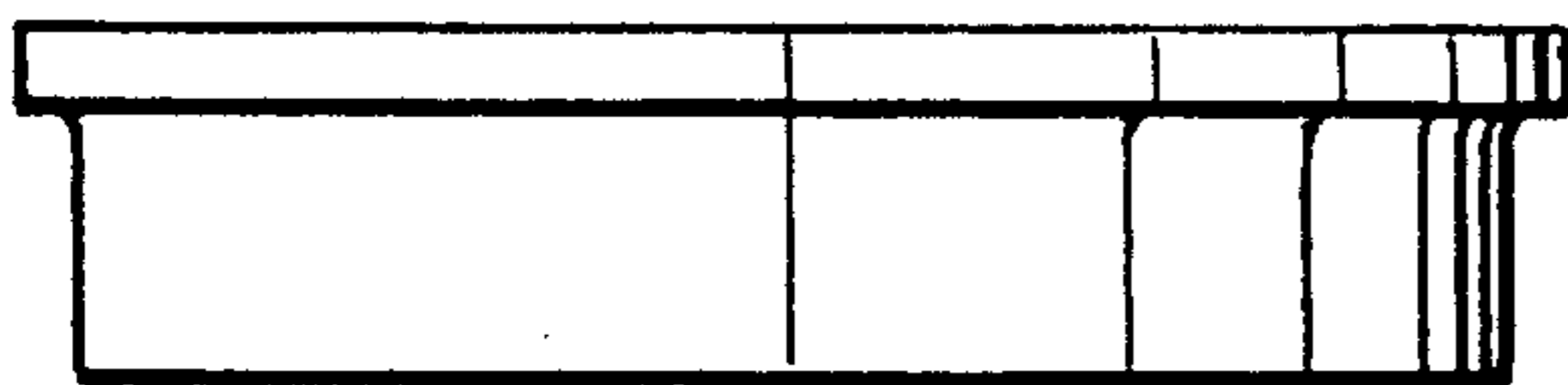


FIG-6

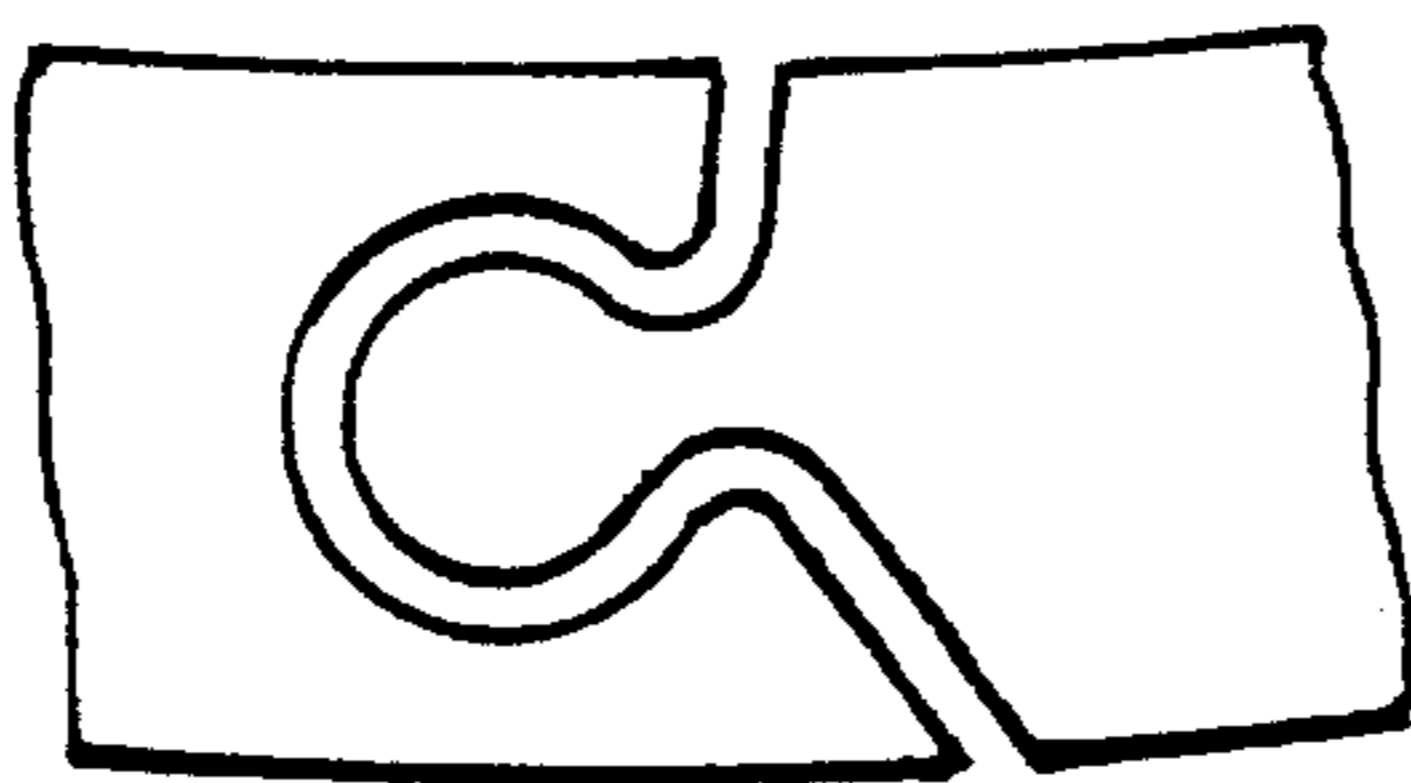


FIG-7

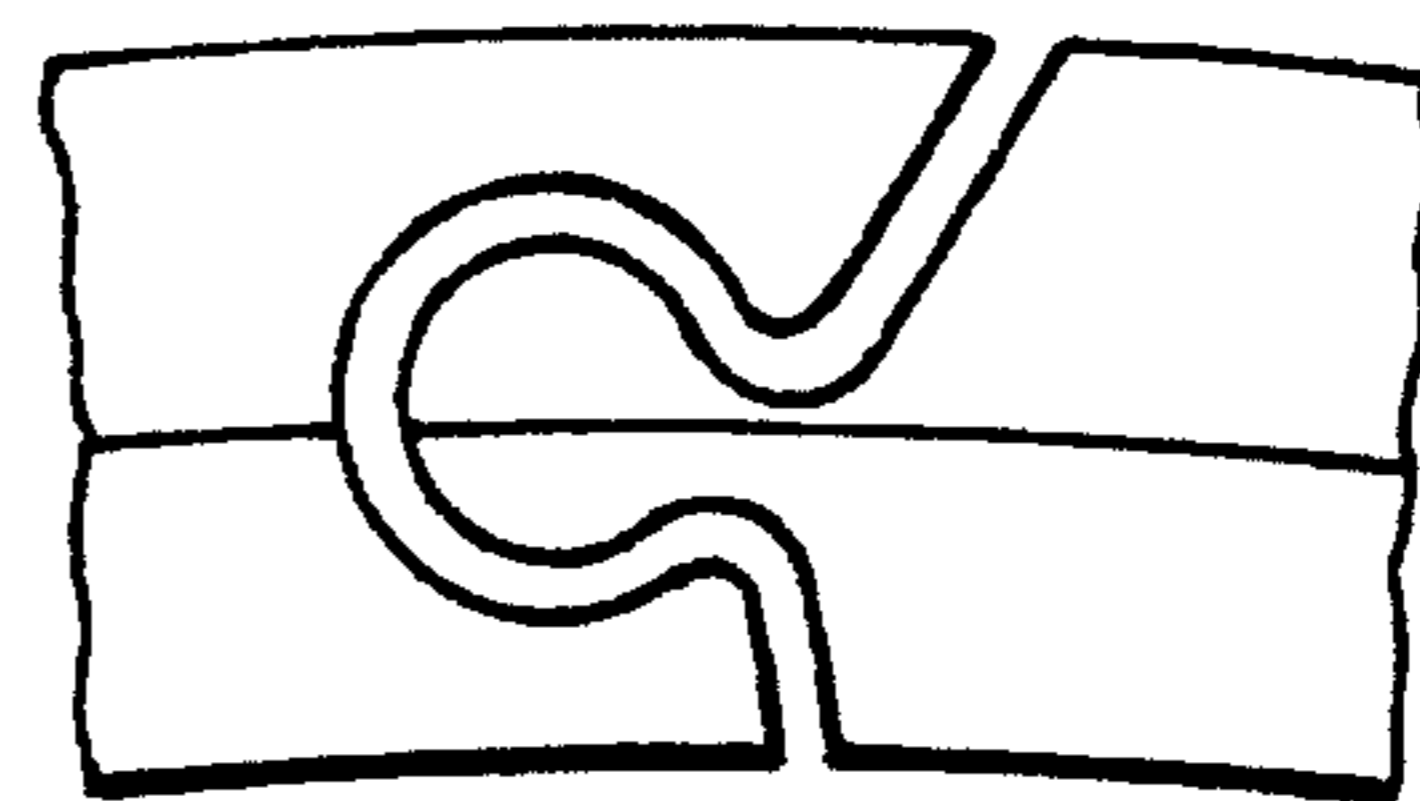


FIG-8

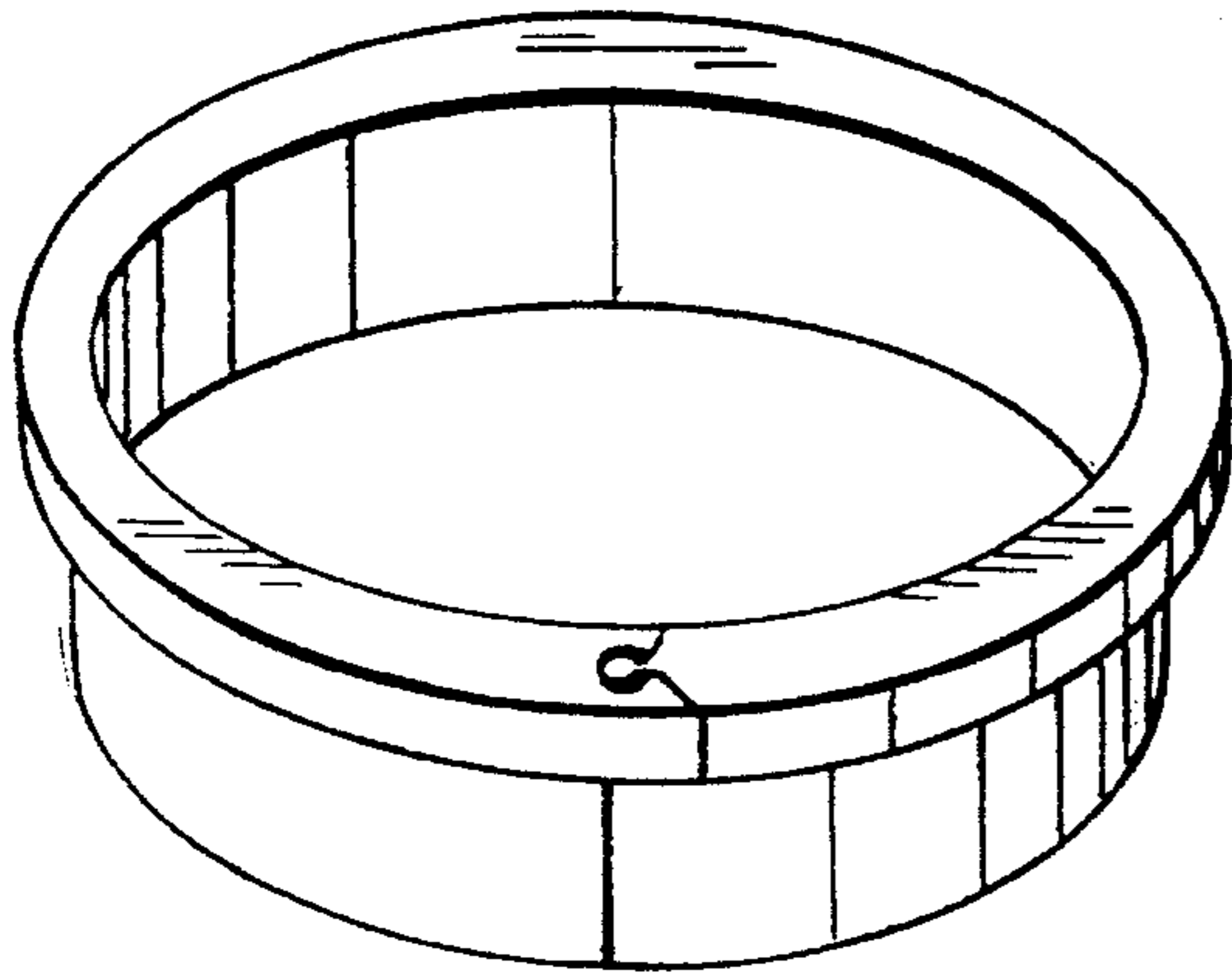


FIG-9

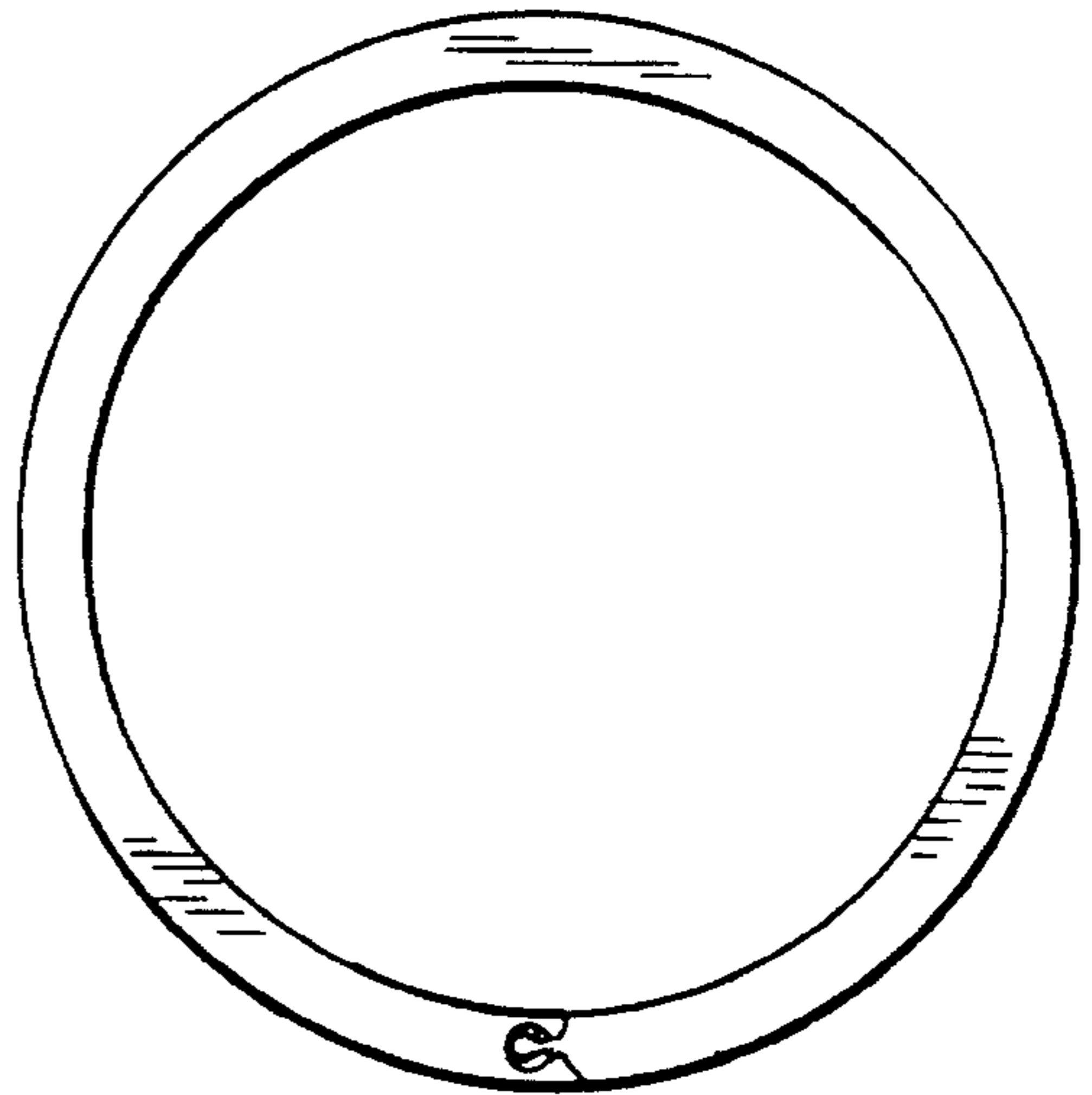


FIG-10

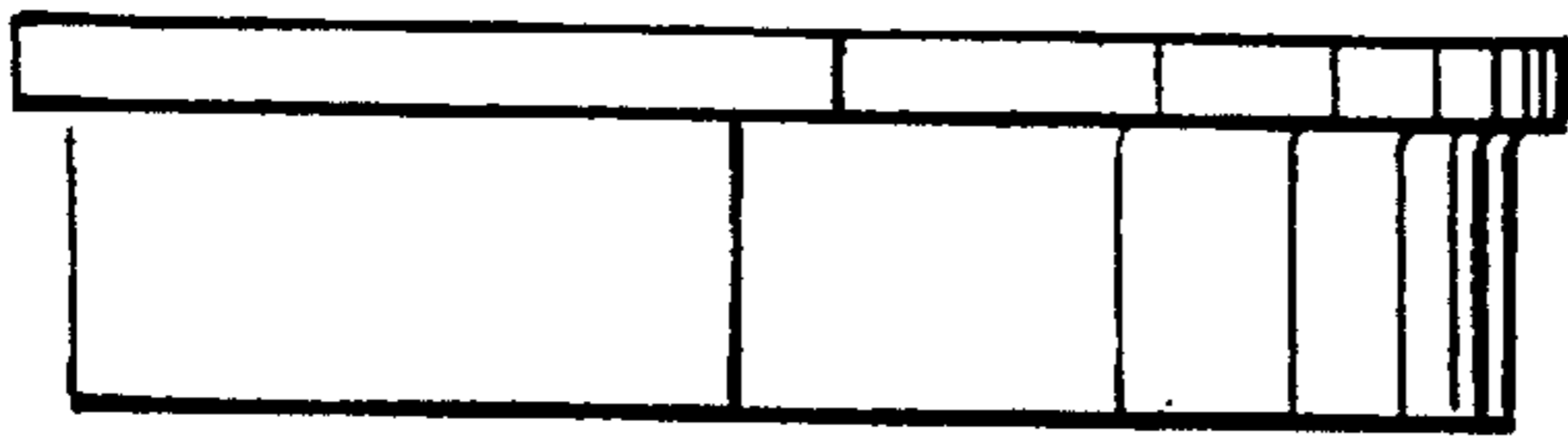


FIG-12

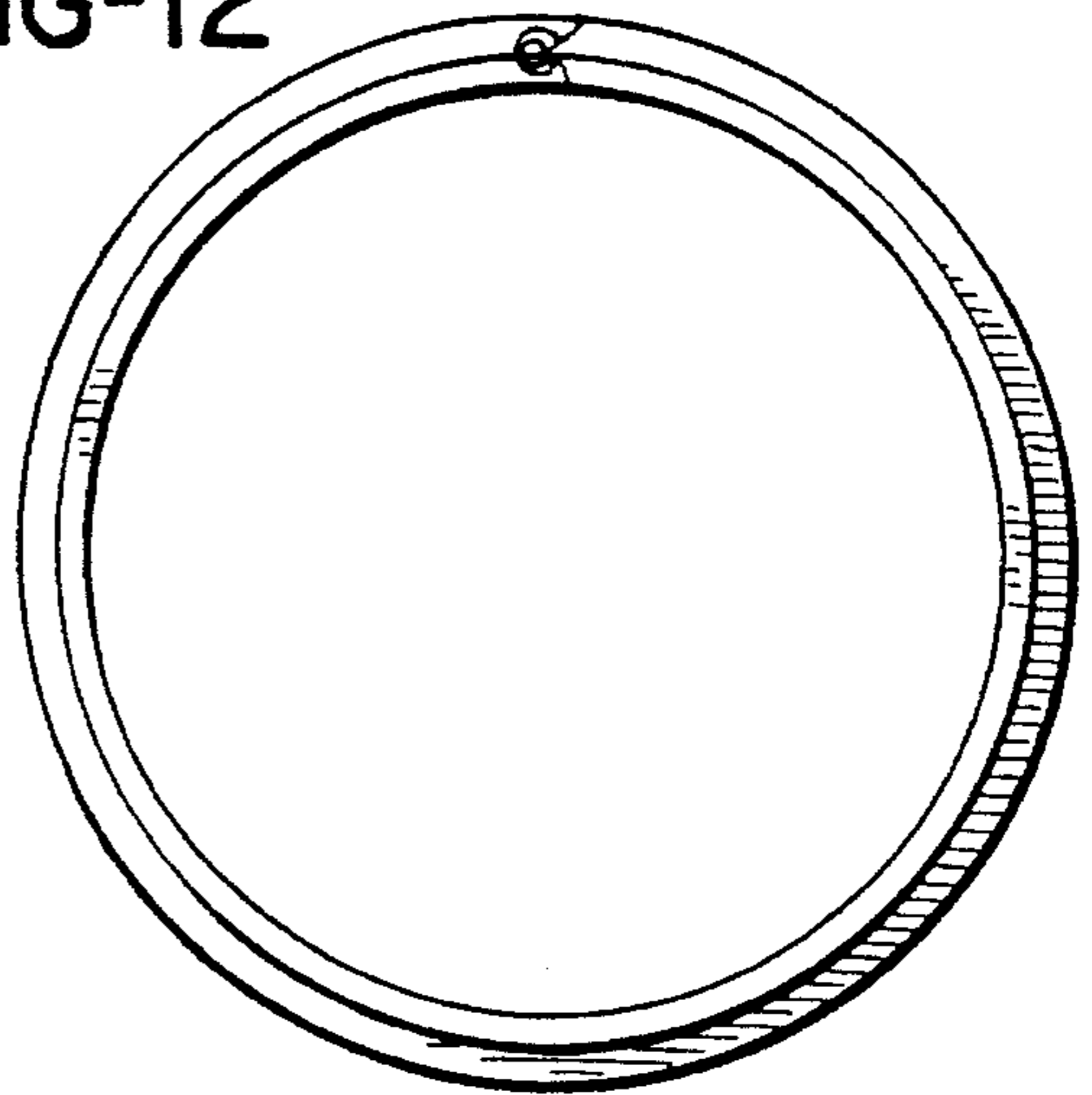


FIG-11

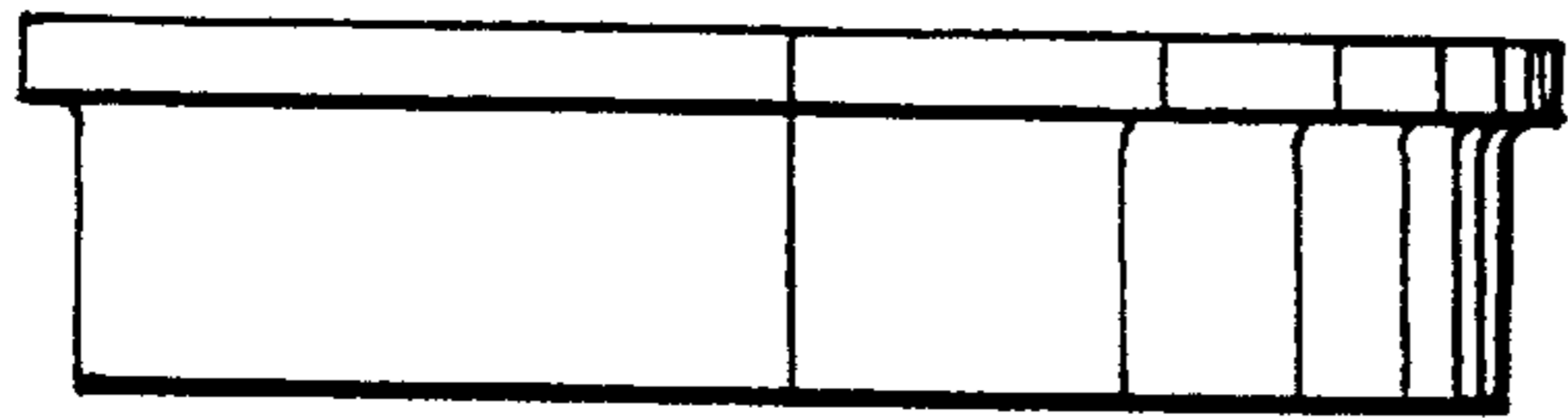


FIG-13

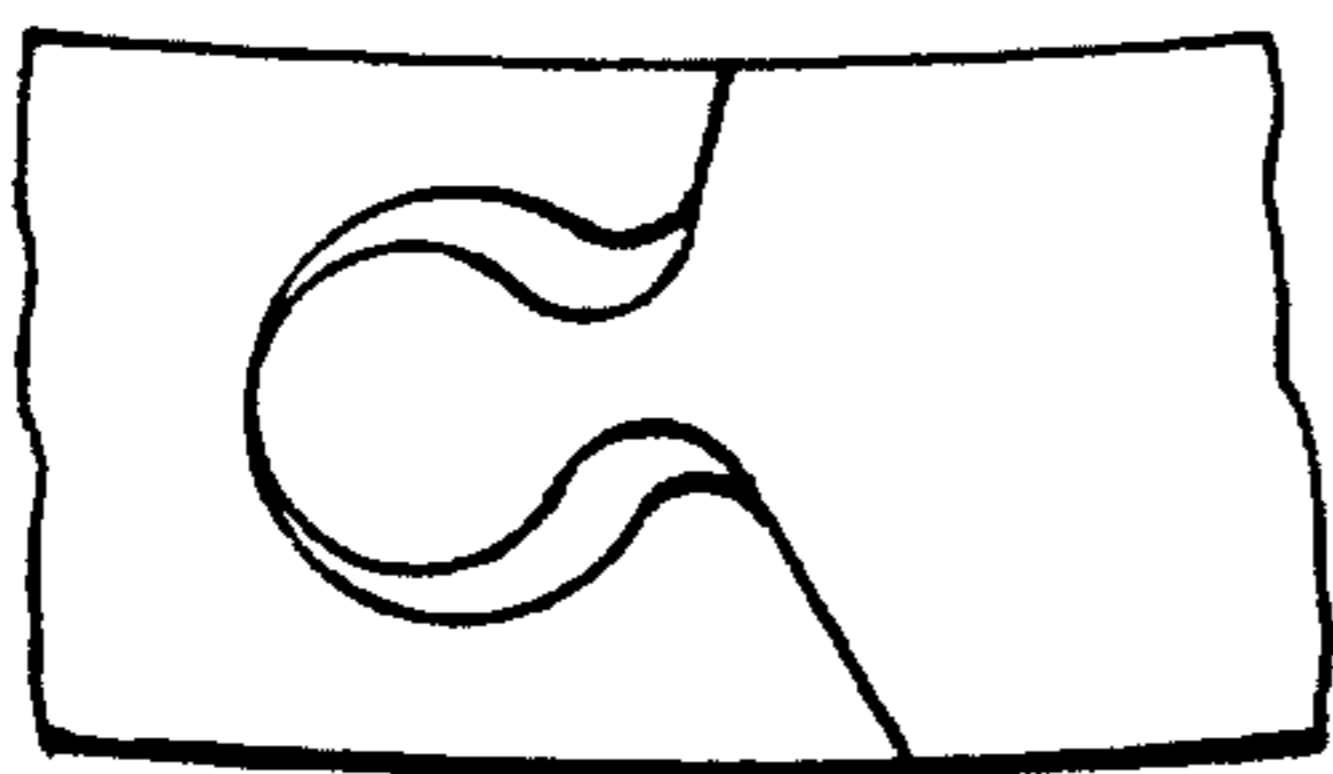


FIG-14

