



US00D376199S

United States Patent [19]

Rozek et al.

[11] **Patent Number: Des. 376,199**

[45] **Date of Patent: **Dec. 3, 1996**

[54] **CABINET FOR NEBULIZER**

[75] Inventors: **Roy J. Rozek**, Plymouth; **Ross Christiansen**, Kiel, both of Wis.

[73] Assignee: **Thomas Industries Inc.**, Sheboygan, Wis.

[**] Term: **14 Years**

[21] Appl. No.: **46,282**

[22] Filed: **Nov. 13, 1995**

[52] U.S. Cl. **D24/110; D15/9**

[58] Field of Search **D24/110; 128/200.14, 128/200.16, 200.18, 200.21, 203.12; D15/7, 9**

[56] **References Cited**

U.S. PATENT DOCUMENTS

D. 222,687	11/1971	Adams	D24/110
D. 225,692	12/1972	Bird et al.	D24/110
D. 348,927	7/1994	Attolini	D24/110
D. 352,295	11/1994	Morgan	D15/9
4,823,784	4/1989	Bordoni et al.	128/200.16 X

OTHER PUBLICATIONS

- Mada product brochure dated Nov. 1994 showing models 275 and 276 nebulizers.
- Invacare product brochure dated Oct. 1995 showing a model IRC 1990 aerosol compressor.
- DeVilbiss product brochure dated 1994 showing a Pulmo-Mate™ compressor/nebulizer.
- Calre product brochure dated Mar. 1994 showing an Attache™ compressor driven nebulizer.

Healthdyne Technologies product brochure showing a model 323 compressor driven nebulizer, undated but admitted prior art.

Medline Industries product brochure dated 1995 showing a model HCS twelve hundred nebulizer/compressor system. Schuco product brochure dated 1993 showing model 125 nebulizers.

Pari respiratory equipment advertisement showing a Promeb™ compressor, undated but admitted prior art.

B&F Medical Products product brochure showing a Maxi Neb™ compressor, undated but admitted prior art.

Primary Examiner—Louis S. Zarfes

Assistant Examiner—I. Simmons

Attorney, Agent, or Firm—Quarles & Brady

[57] **CLAIM**

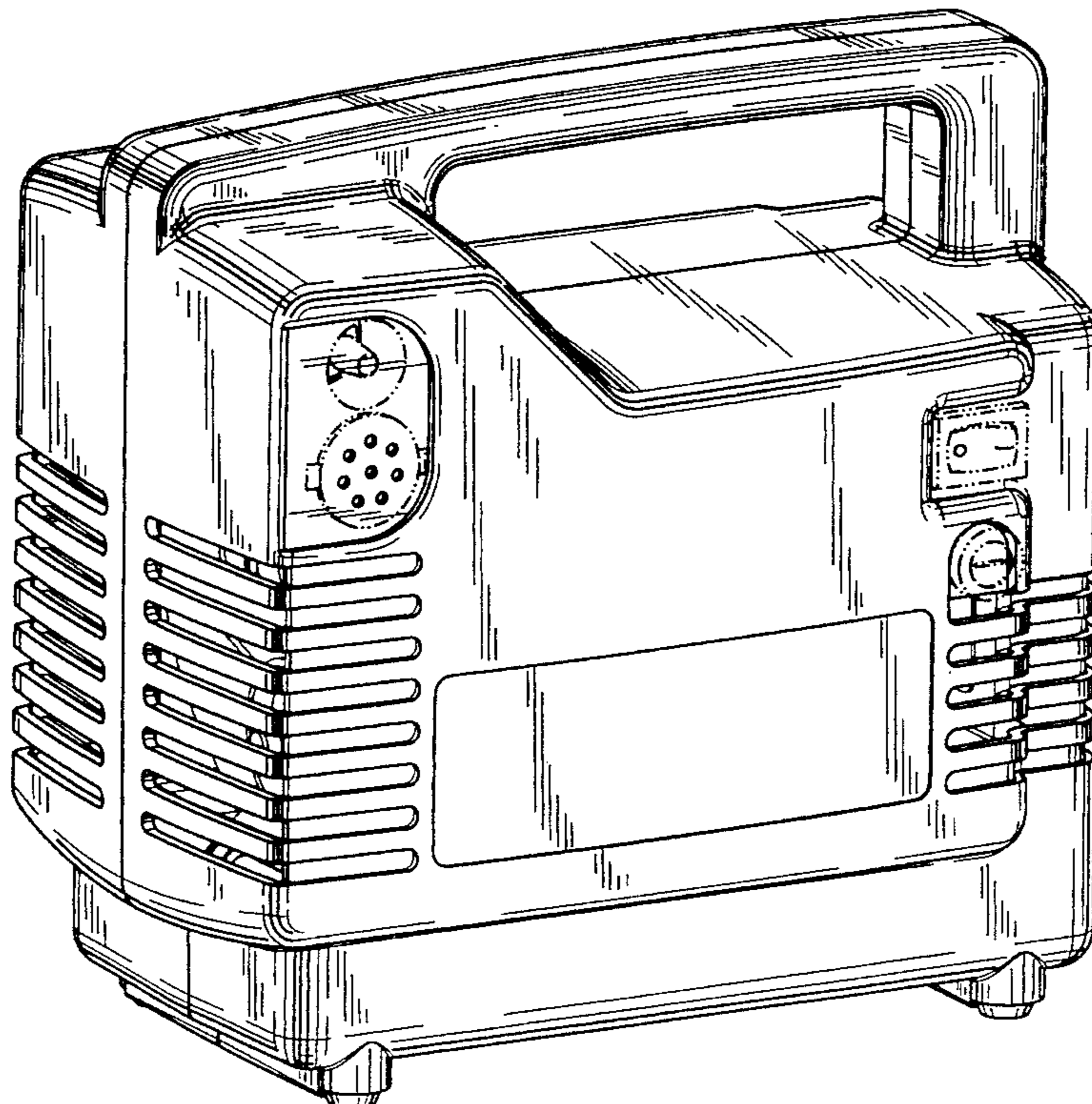
The ornamental design for a cabinet for nebulizer, as shown and described.

DESCRIPTION

FIG. 1 is a perspective view taken from the top, front and left side of a cabinet for nebulizer embodying our new design; FIG. 2 is a front elevational view thereof; FIG. 3 is a rear elevational view thereof; FIG. 4 is a top plan view thereof; FIG. 5 is a bottom plan view thereof; FIG. 6 is left side elevational view thereof; and, FIG. 7 is a right side elevational view thereof.

The broken line showing in the FIGS. 1, 2, 3, 4, 5 and 7 are for illustrative purposes only and forms no part of the claimed design.

1 Claim, 7 Drawing Sheets



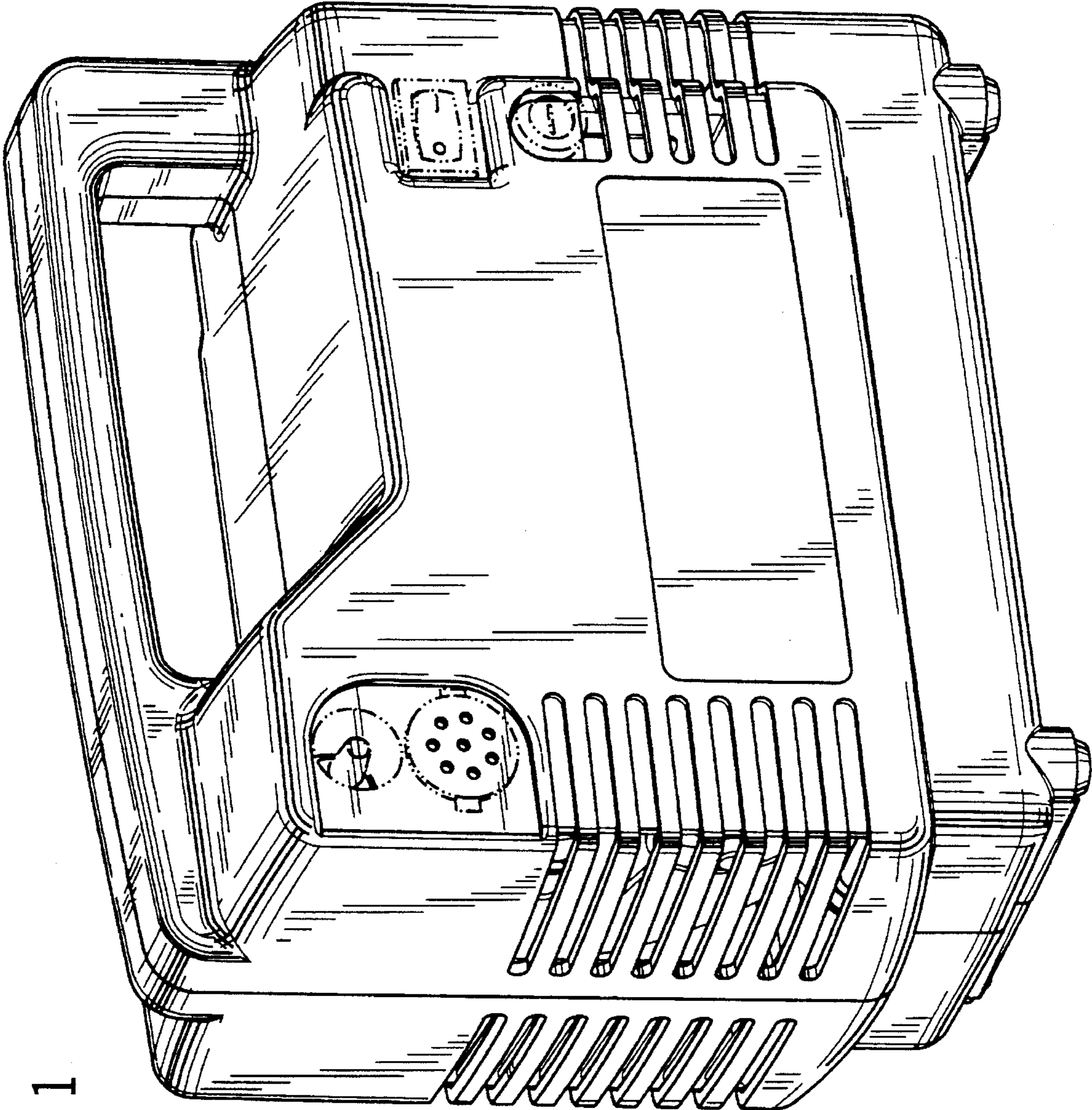


FIG. 1

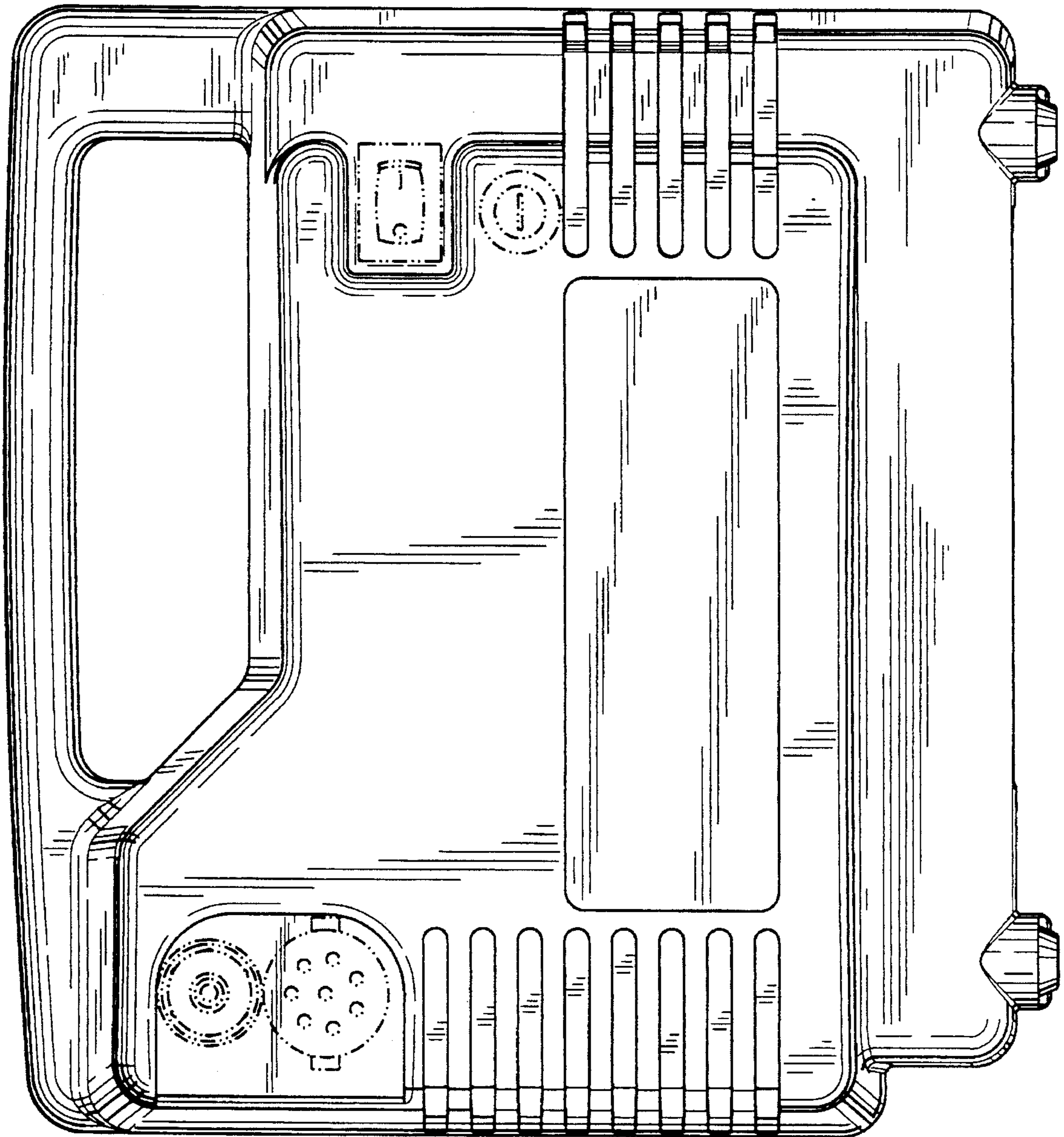


FIG. 2

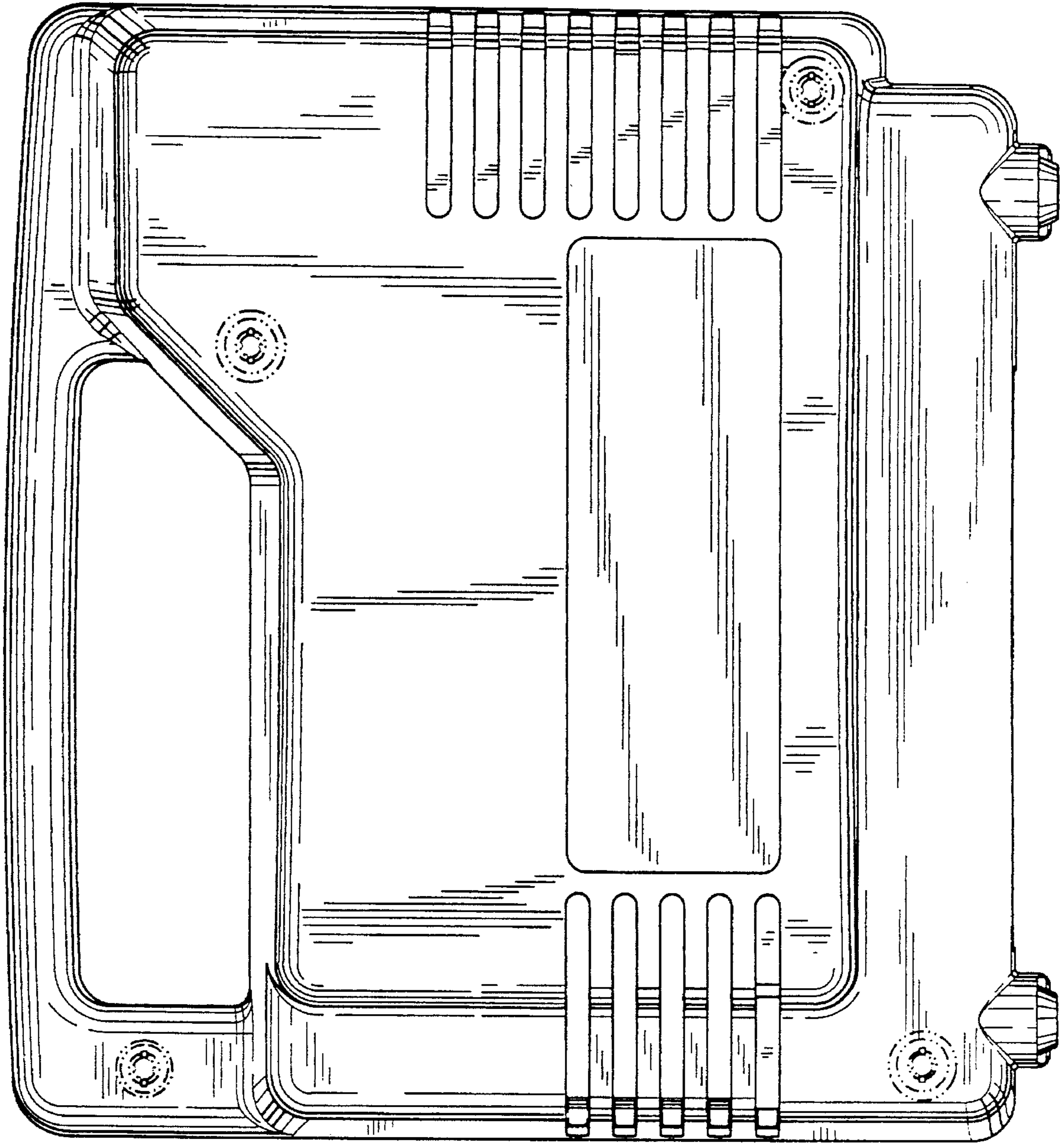


FIG. 3

FIG. 4



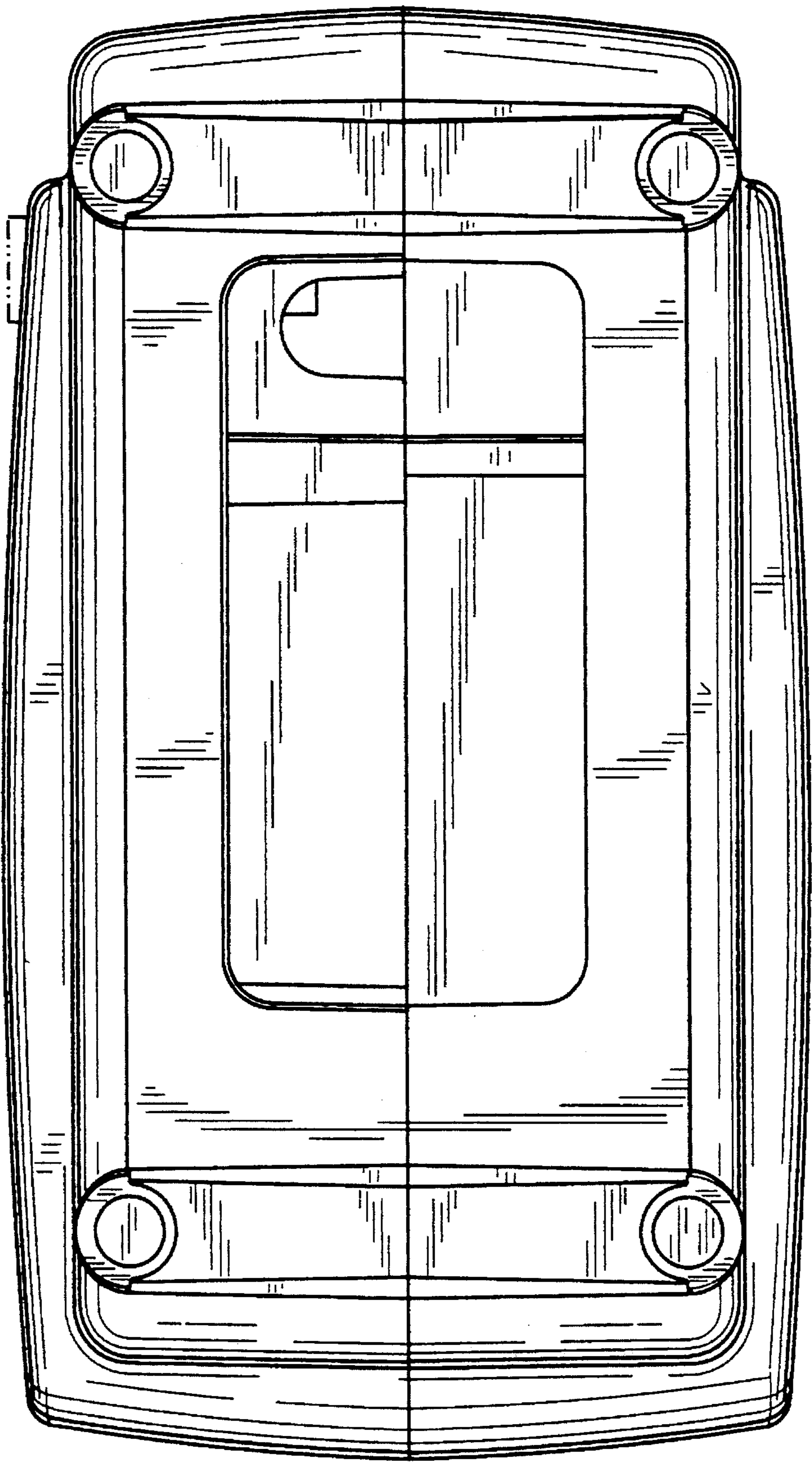


FIG. 5

FIG. 6

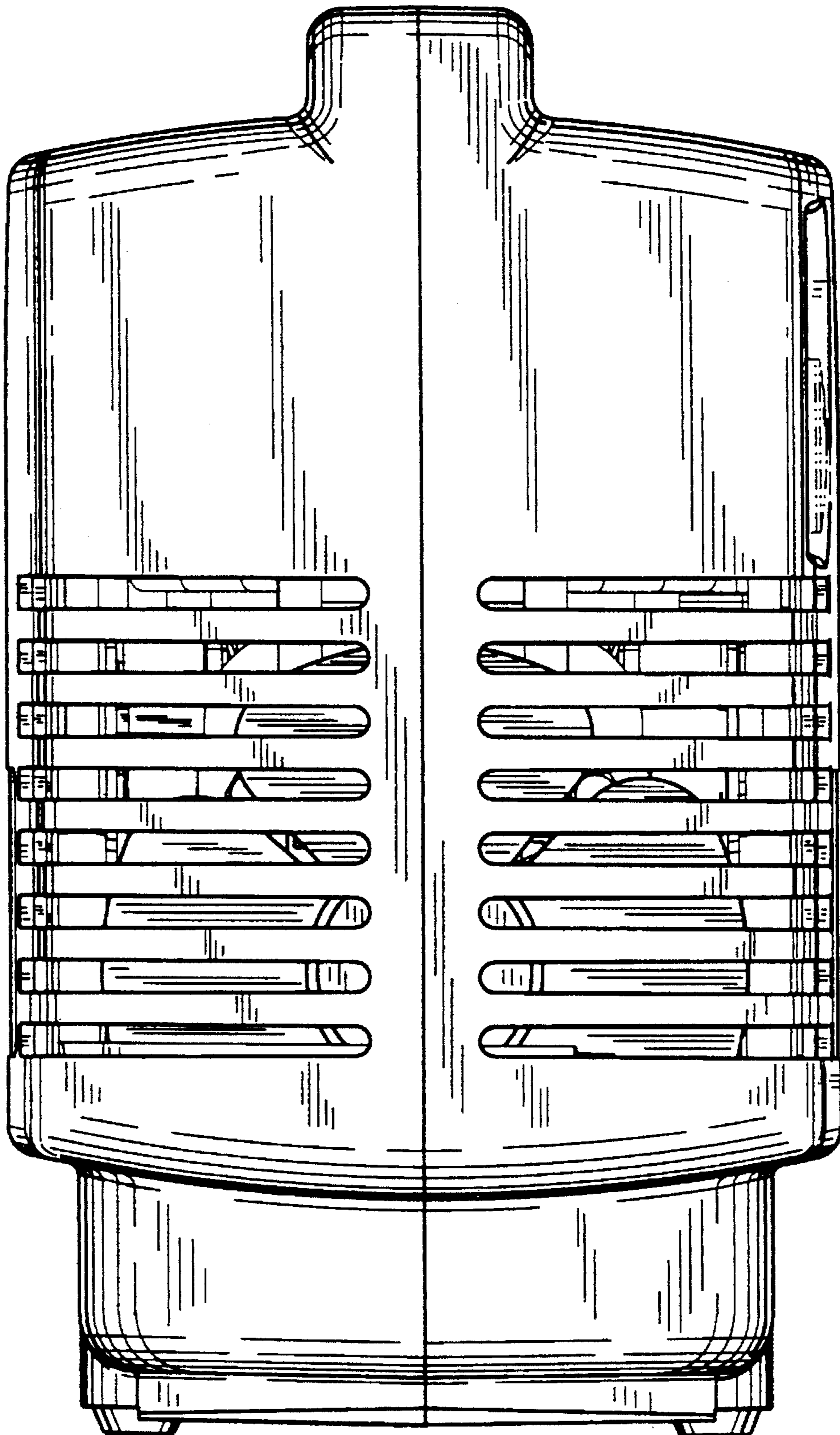


FIG. 7

