



US00D376195S

United States Patent [19]
McKeone

[11] **Patent Number: Des. 376,195**
[45] **Date of Patent: **Dec. 3, 1996**

[54] **RIM FOR A LAVATORY**

[75] Inventor: **William C. McKeone**, Sheboygan, Wis.
[73] Assignee: **Kohler Co.**, Kohler, Wis.
[**] Term: **14 Years**
[21] Appl. No.: **29,171**
[22] Filed: **Aug. 9, 1994**

Related U.S. Application Data

[63] Continuation of Ser. No. 947,896, Sep. 18, 1992, abandoned, which is a continuation of Ser. No. 432,695, Nov. 7, 1989, abandoned.
[52] **U.S. Cl.** **D23/308; D23/285**
[58] **Field of Search** **D23/284, 285, D23/287, 288, 289, 292, 293.1; 4/619, 624, 625, 629, 638-642, 646, DIG. 14**

[56] **References Cited**

U.S. PATENT DOCUMENTS

D. 32,047	12/1899	Lloyd	D23/308
D. 33,308	10/1900	Hornbos	D23/308
D. 237,617	11/1975	McIntosh	D23/284
D. 241,846	10/1976	Ribits et al.	D23/285
D. 242,859	12/1976	Gruber	D23/285
D. 243,325	2/1977	Krause et al.	D23/285
D. 320,263	9/1991	Kohler, Jr. et al.	D23/294
D. 320,437	10/1991	McKeone	D23/292

OTHER PUBLICATIONS

An advertisement for a "Mango" lavatory, undated (admitted prior art).
P. 8-2a from the April 1989 Kohler K-400 catalog (admitted prior art).
Patent drawing, admitted prior art.

Primary Examiner—Louis S. Zarfaz
Assistant Examiner—Eric Watterson
Attorney, Agent, or Firm—Quarles & Brady

[57] **CLAIM**

The ornamental design for a rim for a lavatory, as shown and described.

DESCRIPTION

FIG. 1 is a top front perspective view of a rim for a lavatory showing my new design;
FIG. 2 is a top plan view thereof;
FIG. 3 is a cross sectional view taken along line 3—3 of FIG. 2; and,
FIG. 4 is a cross sectional view taken along line 4—4 of FIG. 2.
The broken line fragmentary representation of holes in FIGS. 1 and 2 and the representation of a countertop in FIG. 1 are for purposes of illustration only and form no part of the claimed design.

1 Claim, 2 Drawing Sheets

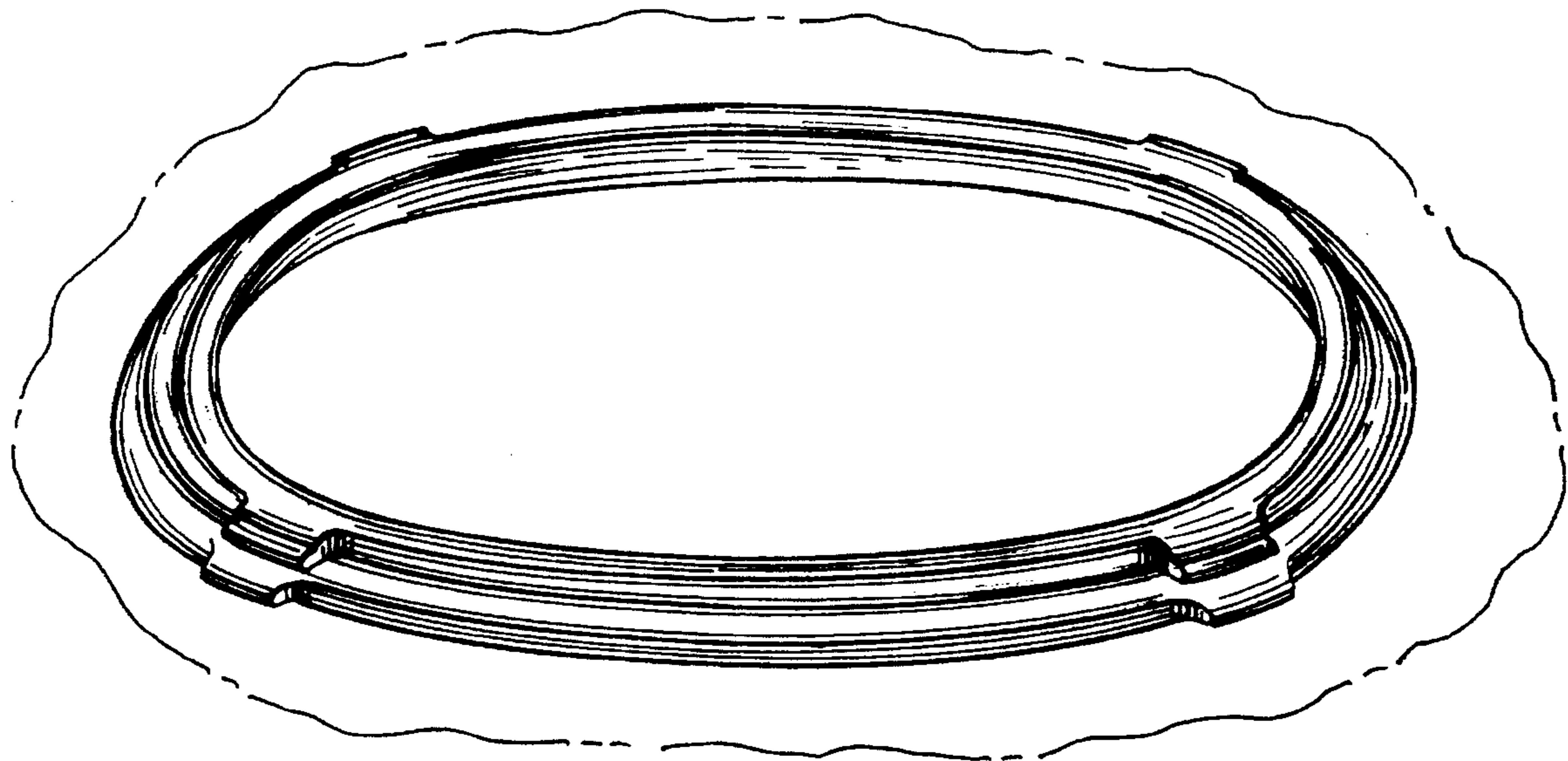


FIG. 1

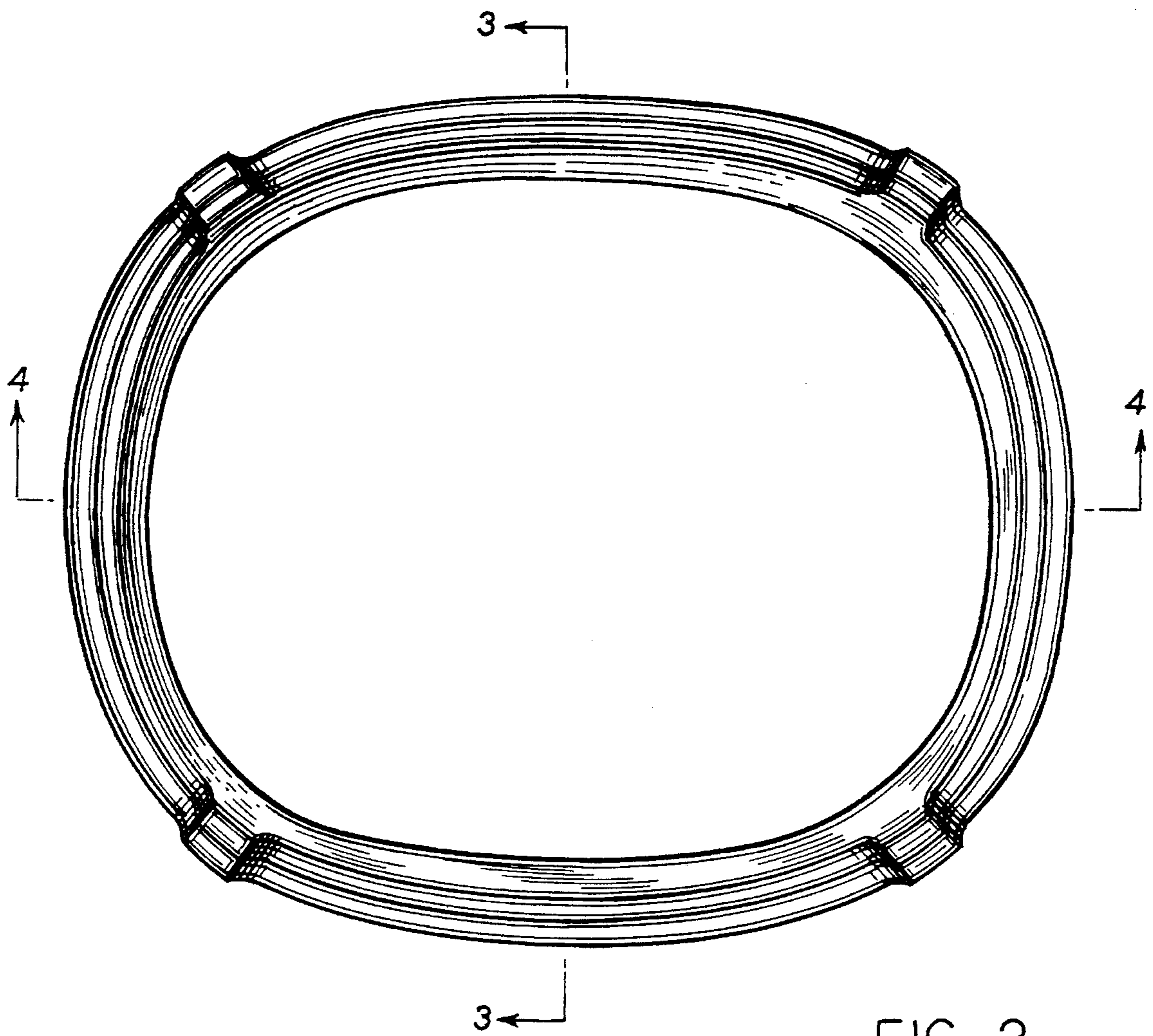
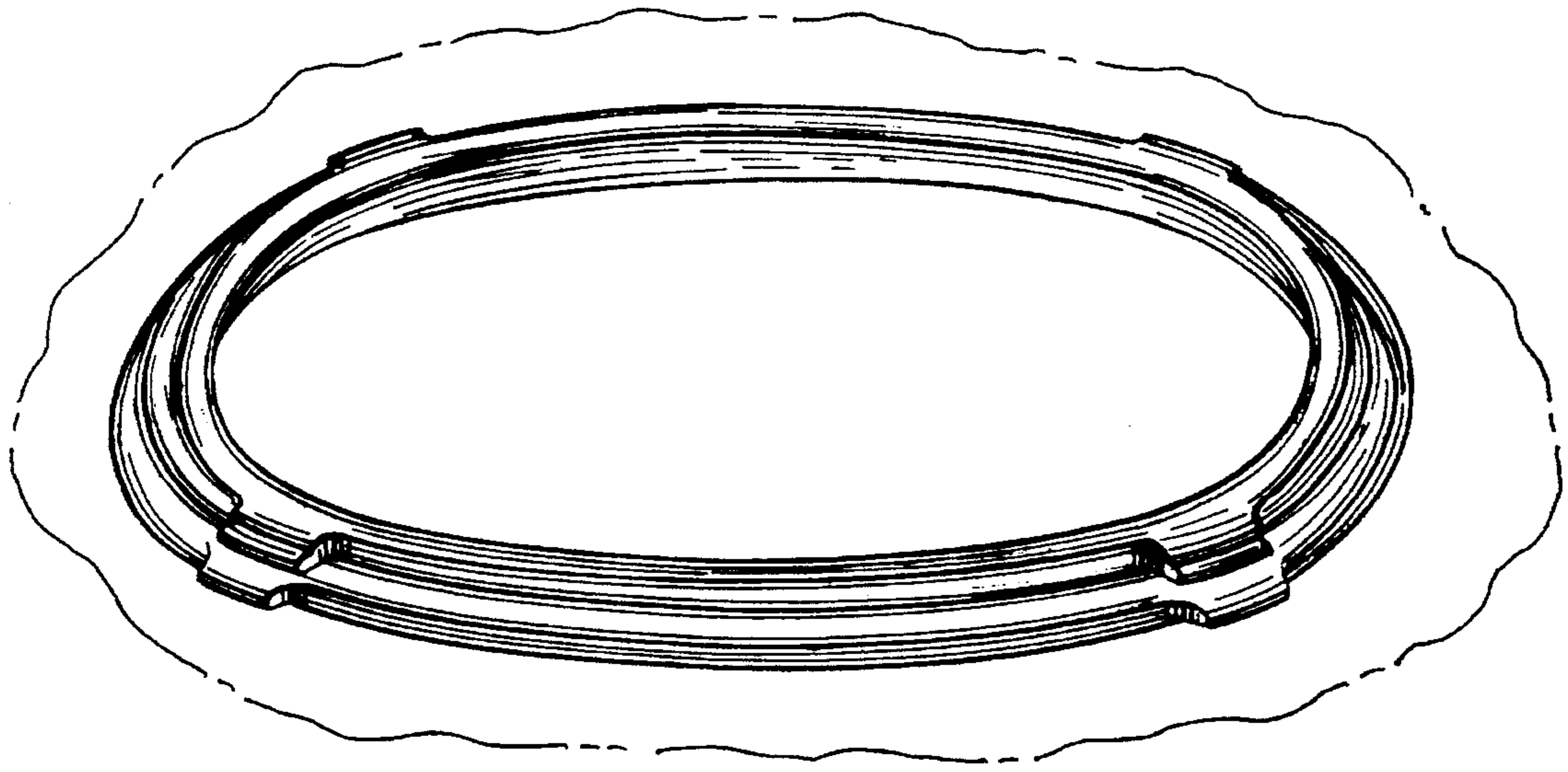


FIG. 2

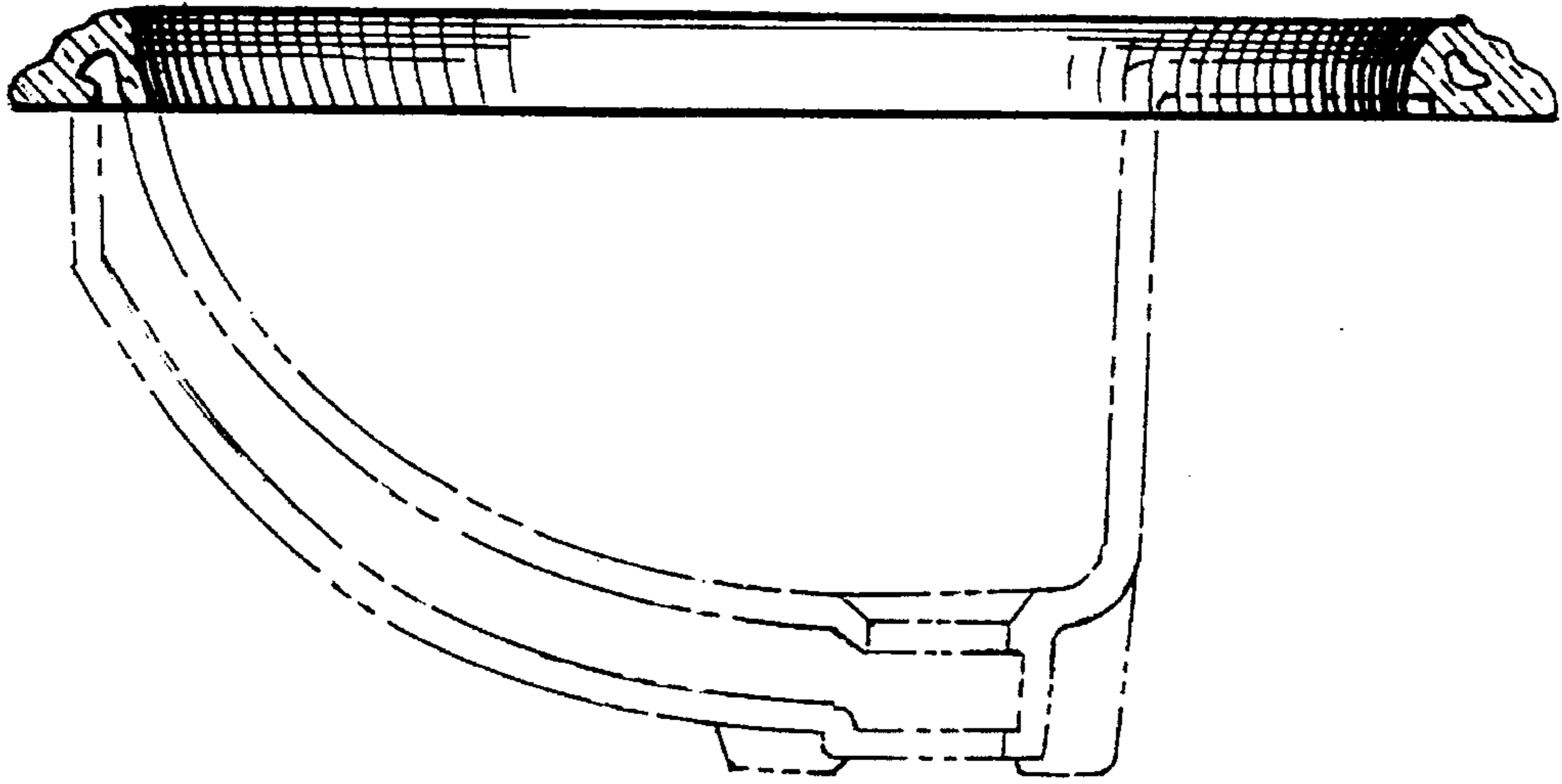


FIG. 3

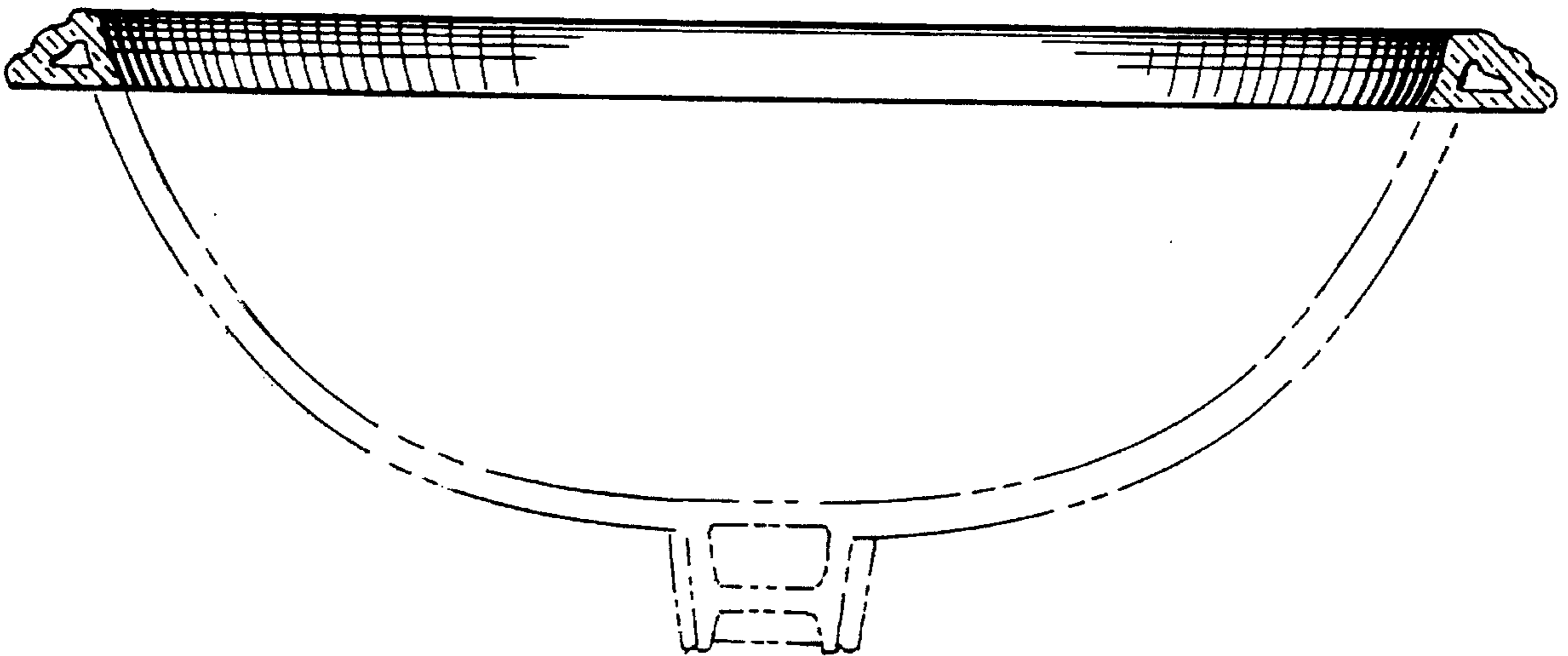


FIG. 4

UNITED STATES PATENT AND TRADEMARK OFFICE
CERTIFICATE OF CORRECTION

PATENT NO. : **Des. 376,195**
DATED : **December 3, 1996**
INVENTOR(S) : **William C. McKeone**

It is certified that error appears in the above-identified patent and that said Letters Patent is hereby corrected as shown below:

ON THE TITLE PAGE:

ITEMS:

- [63] Related U.S. Application Data - Line 2
Before "of Ser. No. 432,695" "continuation" should be
--division--.
- [56] References Cited U.S. PATENT DOCUMENTS
After U.S. PATENT DOCUMENTS" --SN 205,104 Herbeau--
should be added.

Signed and Sealed this
Twelfth Day of August, 1997



Attest:

BRUCE LEHMAN

Attesting Officer

Commissioner of Patents and Trademarks