



US00D376193S

United States Patent [19]

Lennartsson

[11] Patent Number: **Des. 376,193**

[45] Date of Patent: ****Dec. 3, 1996**

[54] HELICALLY WOUND LOCK-SEAM TUBE

[75] Inventor: **Kenneth Lennartsson**, Torekov, Sweden

[73] Assignee: **Protol A.G.**, Glarus, Switzerland

[**] Term: **14 Years**

[21] Appl. No.: **35,875**

[22] Filed: **Mar. 8, 1995**

[52] U.S. Cl. **D23/266**

[58] Field of Search D23/266, 263, D23/259; D25/199, 122; 138/144, 154

[56] References Cited

U.S. PATENT DOCUMENTS

192,079	6/1877	Noble	138/154
D. 213,828	4/1969	Blake	D23/266
224,228	2/1880	Ritchie	138/154
D. 296,355	6/1988	Kanao	D23/266
470,738	3/1892	Bayles	138/154
683,519	10/1901	Taylor	138/154
2,888,043	5/1959	Reid	138/144
4,706,481	11/1987	Castricum	72/49

FOREIGN PATENT DOCUMENTS

1168179	10/1969	United Kingdom .
1212221	11/1970	United Kingdom 138/154
2213748	8/1989	United Kingdom .
WO8600123	3/1986	WIPO .
WO8911351	8/1989	WIPO .

OTHER PUBLICATIONS

Pamphlet entitled "The Round Revolution" ©1993 *Spiro International S.A.*, Switzerland.

Primary Examiner—Doris V. Coles

Assistant Examiner—Gregory Andoll

Attorney, Agent, or Firm—Weingarten, Schurgin, Gagnebin & Hayes LLP

[57] CLAIM

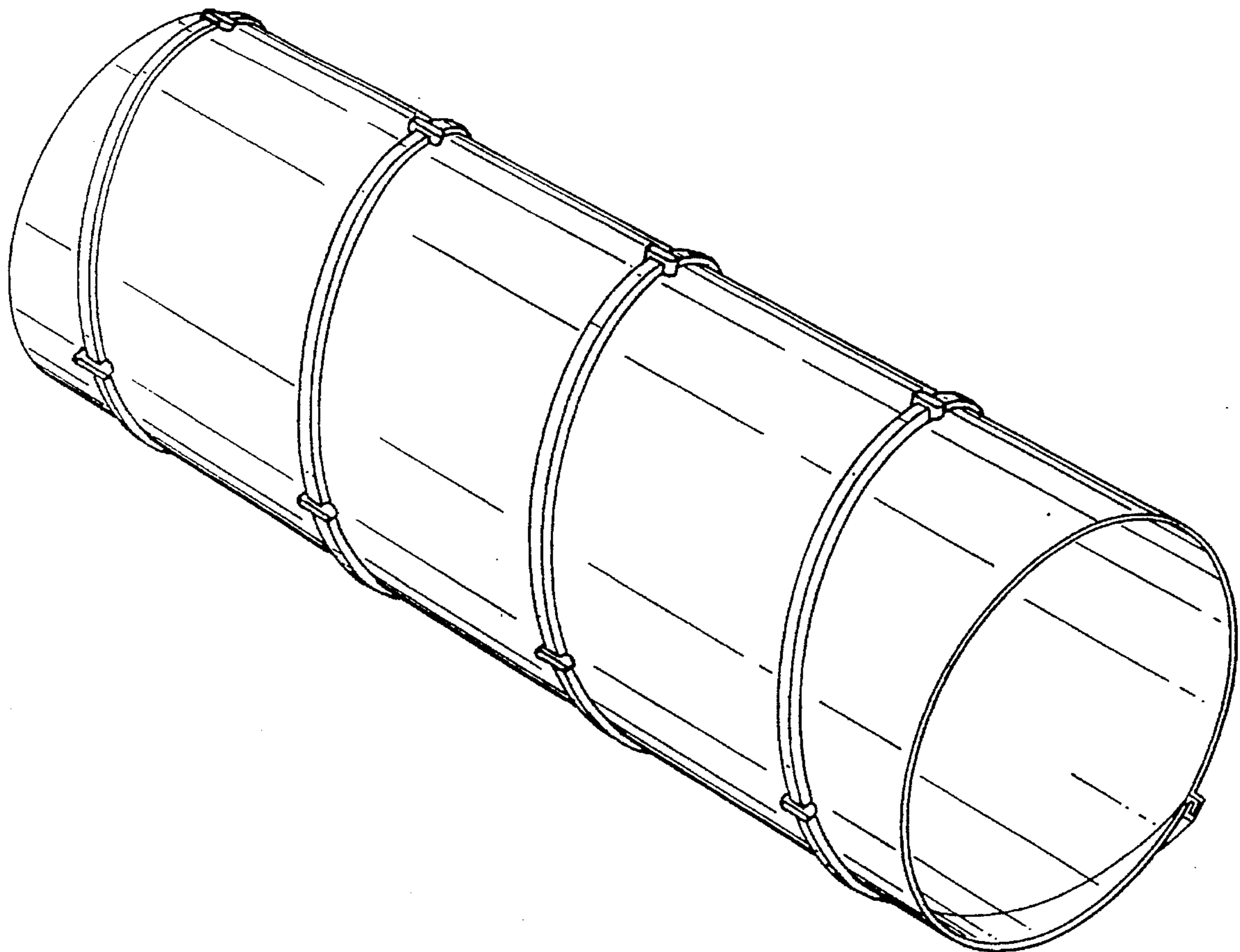
The ornamental design for a helically wound lock-seam tube, as shown and described.

DESCRIPTION

FIG. 1 is a perspective view of a helically wound lock-seam tube, showing my new design as seen obliquely from the side; and,

FIG. 2 is an end view of the helically wound lock-seam tube.

1 Claim, 1 Drawing Sheet



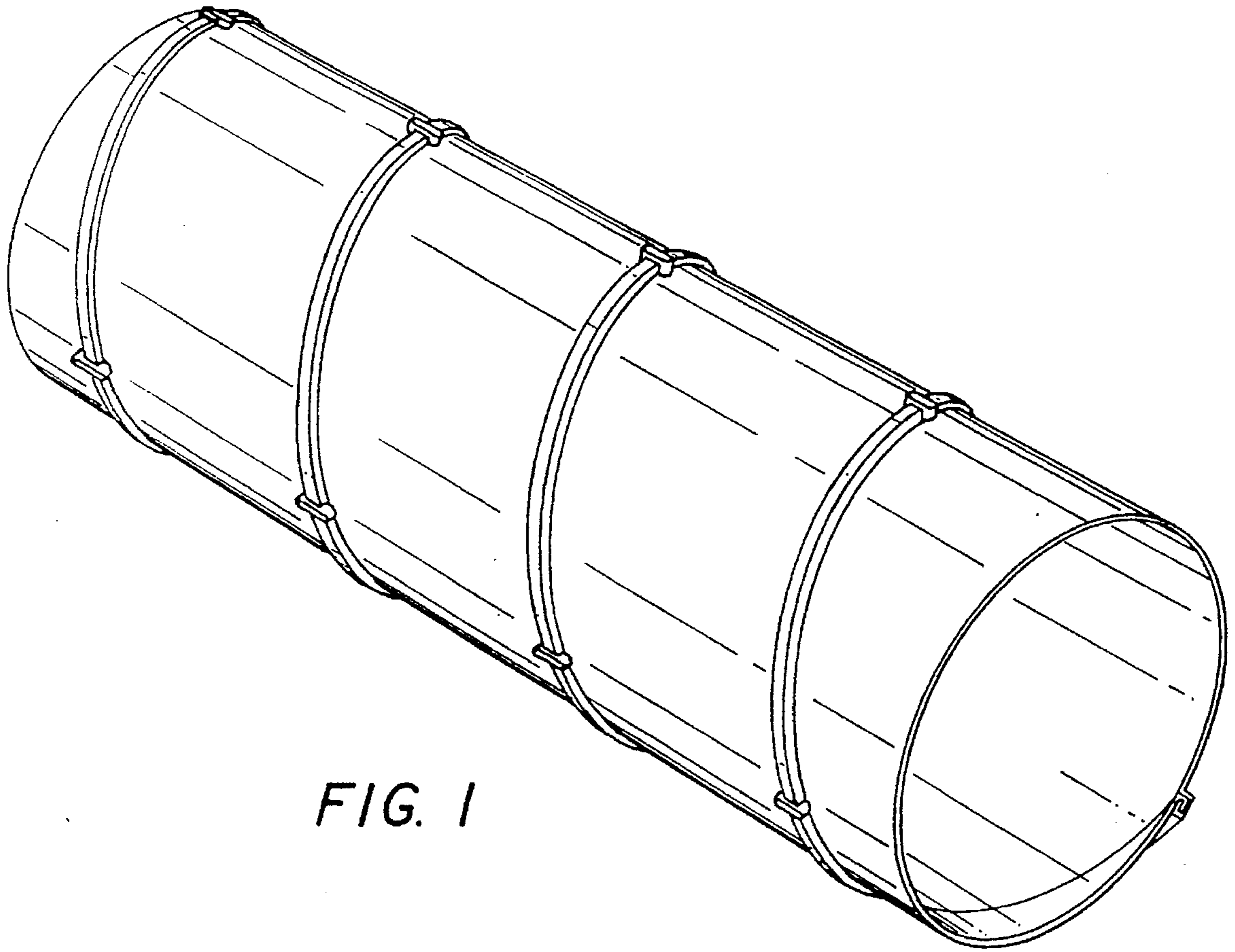


FIG. 1

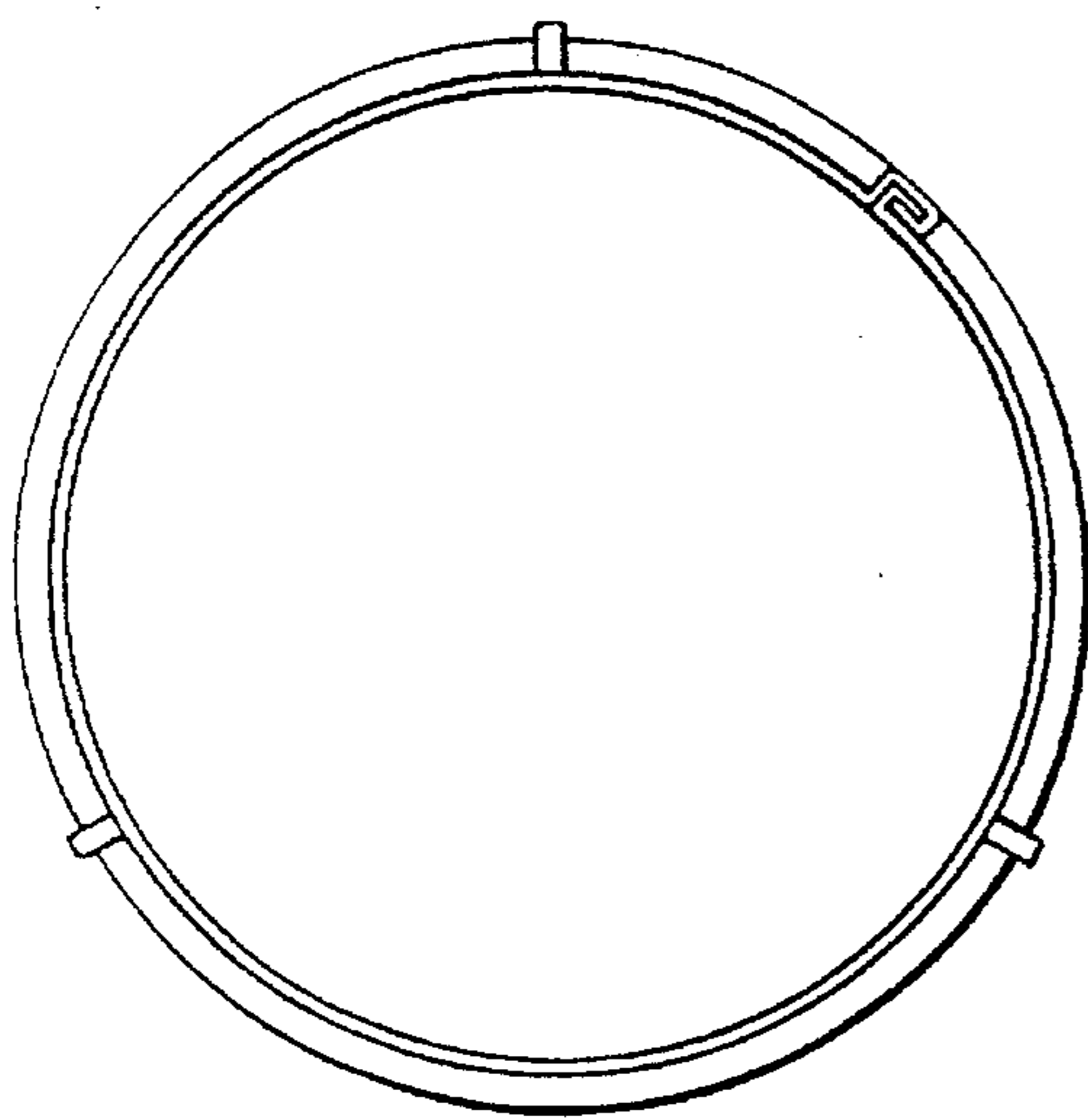


FIG. 2