



US00D376190S

# United States Patent [19]

Van Horn, Jr. et al.

[11] Patent Number: **Des. 376,190**

[45] Date of Patent: **\*\*Dec. 3, 1996**

[54] **FISHING LINE BOARD**

[76] Inventors: **John H. Van Horn, Jr.**, R.R. 5 Box 1273; **Jeff P. Spencer**, 506 Terrace St.; **James F. DeReamer**, R.D. 2 Box 1685, all of Honesdale, Pa. 18431

[\*\*] Term: **14 Years**

[21] Appl. No.: **44,165**

[22] Filed: **Sep. 19, 1995**

[52] U.S. Cl. .... **D22/134**

[58] Field of Search ..... D22/134; 43/25, 43/4; 242/423.2, 902, 129.8, 129.6, 129.62, 129.1, 129.2, 129.3, 129.4, 129.5, 129.7, 129.71, 129.72, 156, 596.1, 596.8

[56] **References Cited**

**U.S. PATENT DOCUMENTS**

D. 332,298	1/1993	Logsdon .....	D22/134
D. 335,523	5/1993	Henslee et al. ....	D22/134
D. 355,471	2/1995	Karr et al. ....	D22/134
1,486,023	3/1924	Keim .....	242/129.6
3,951,354	4/1976	Bagby .....	242/129.8
4,034,930	7/1977	Stevenson .	
4,081,154	3/1978	Miszkwitz, Jr. ....	242/129.8
4,360,172	11/1982	Cope .....	242/129.8
4,948,059	8/1990	Lewitt .....	242/129.6 X
5,029,409	7/1991	Nouwens .....	43/25

5,209,423	5/1993	Barginear .....	242/129.8
5,218,779	6/1993	Morgan et al. ....	43/25
5,322,236	6/1994	Smith .....	242/129.8

**FOREIGN PATENT DOCUMENTS**

1129295	1/1957	France .
80020	4/1934	Sweden .

*Primary Examiner*—Doris V. Coles  
*Attorney, Agent, or Firm*—Richard C. Litman

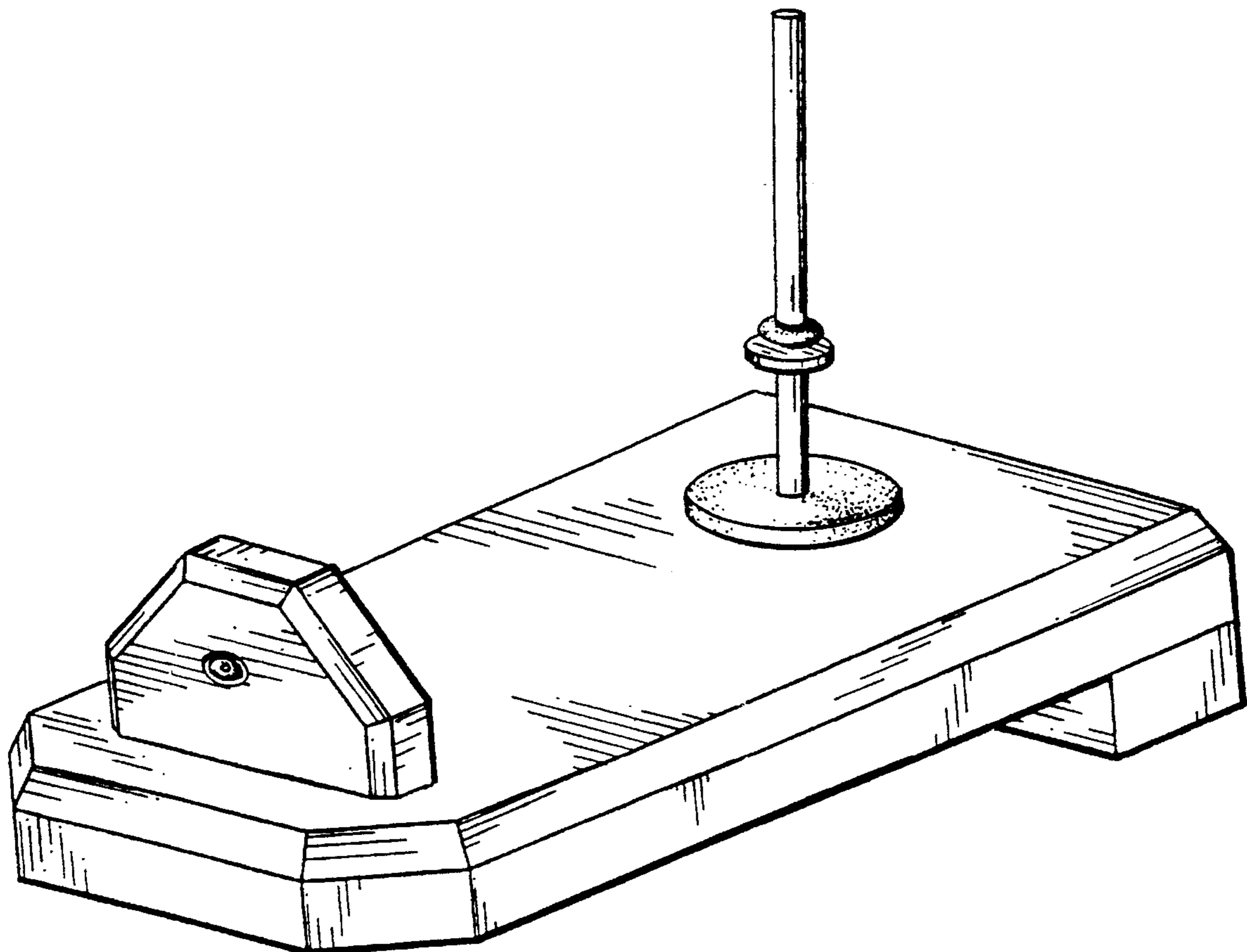
[57] **CLAIM**

The ornamental design for a fishing line board, as shown and described.

**DESCRIPTION**

FIG. 1 is a perspective view of a fishing line board showing our new design;  
FIG. 2 is a top plan view thereof;  
FIG. 3 is a front elevational view thereof;  
FIG. 4 is a rear elevational view thereof;  
FIG. 5 is a right side elevational view with the left side being a mirror image thereof; and,  
FIG. 6 is a bottom view thereof.  
The broken line showing of the pads and spool is for illustrative purposes only and forms no part of the claimed design.

**1 Claim, 5 Drawing Sheets**



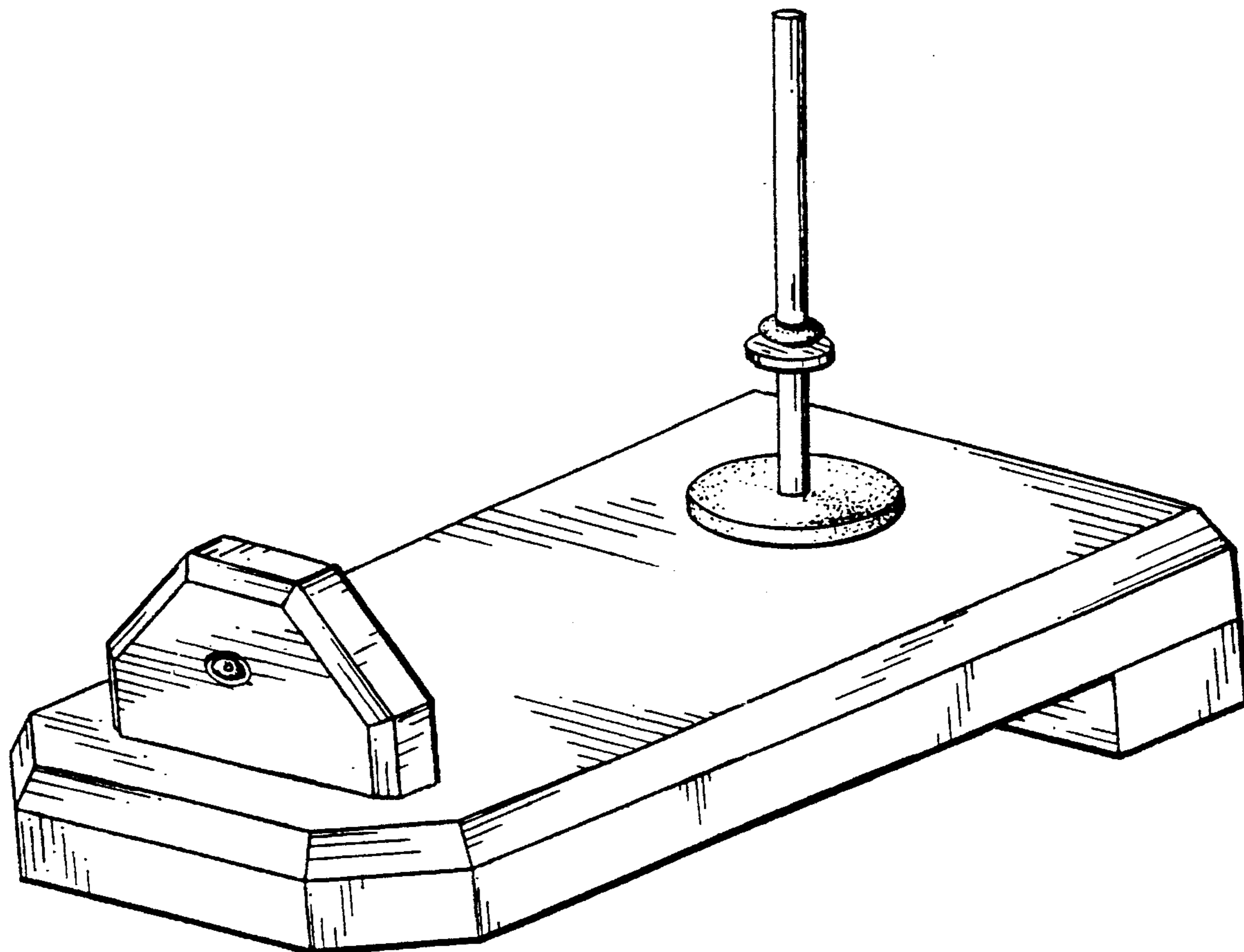


FIG. 1

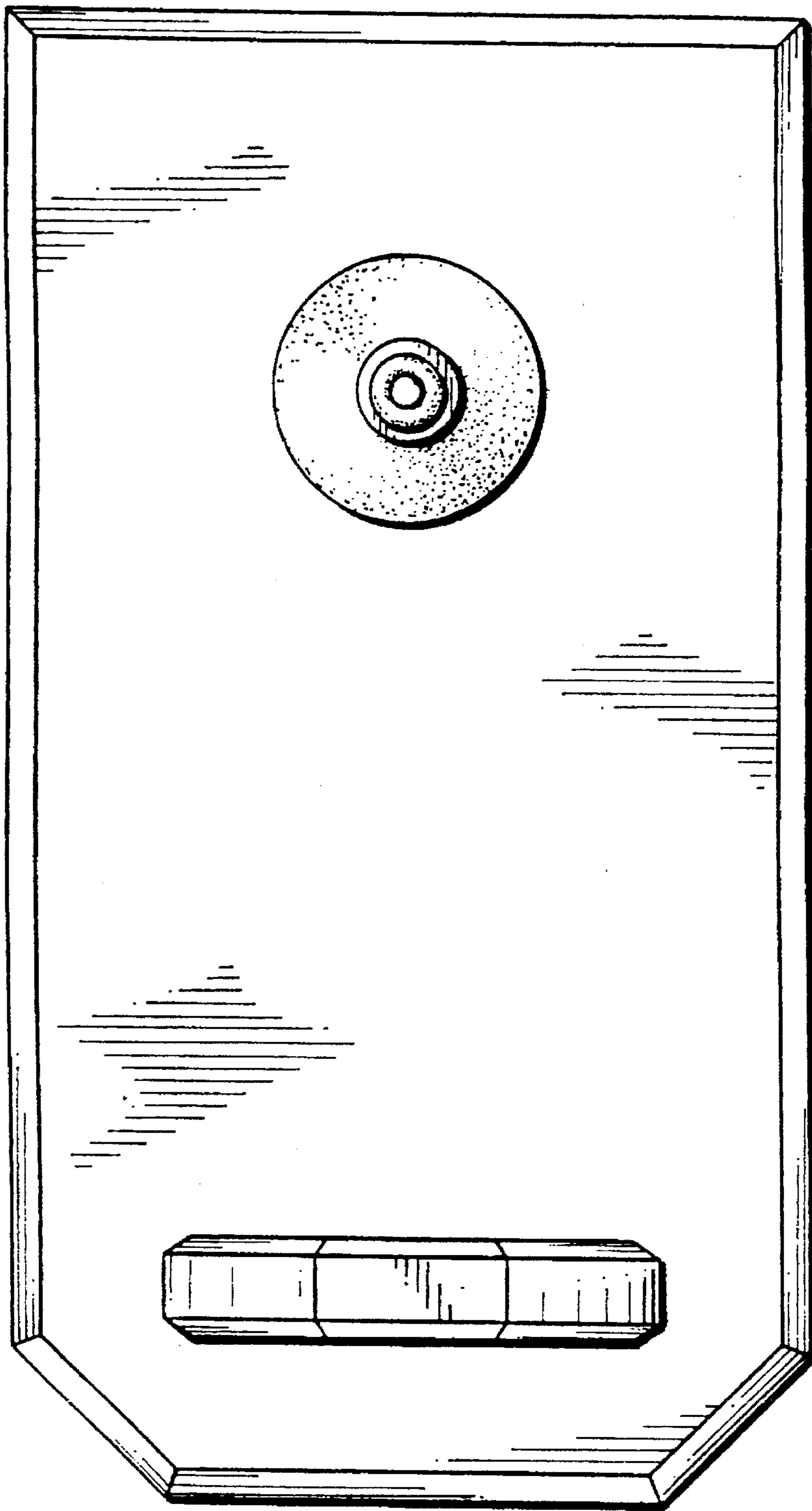


FIG. 2

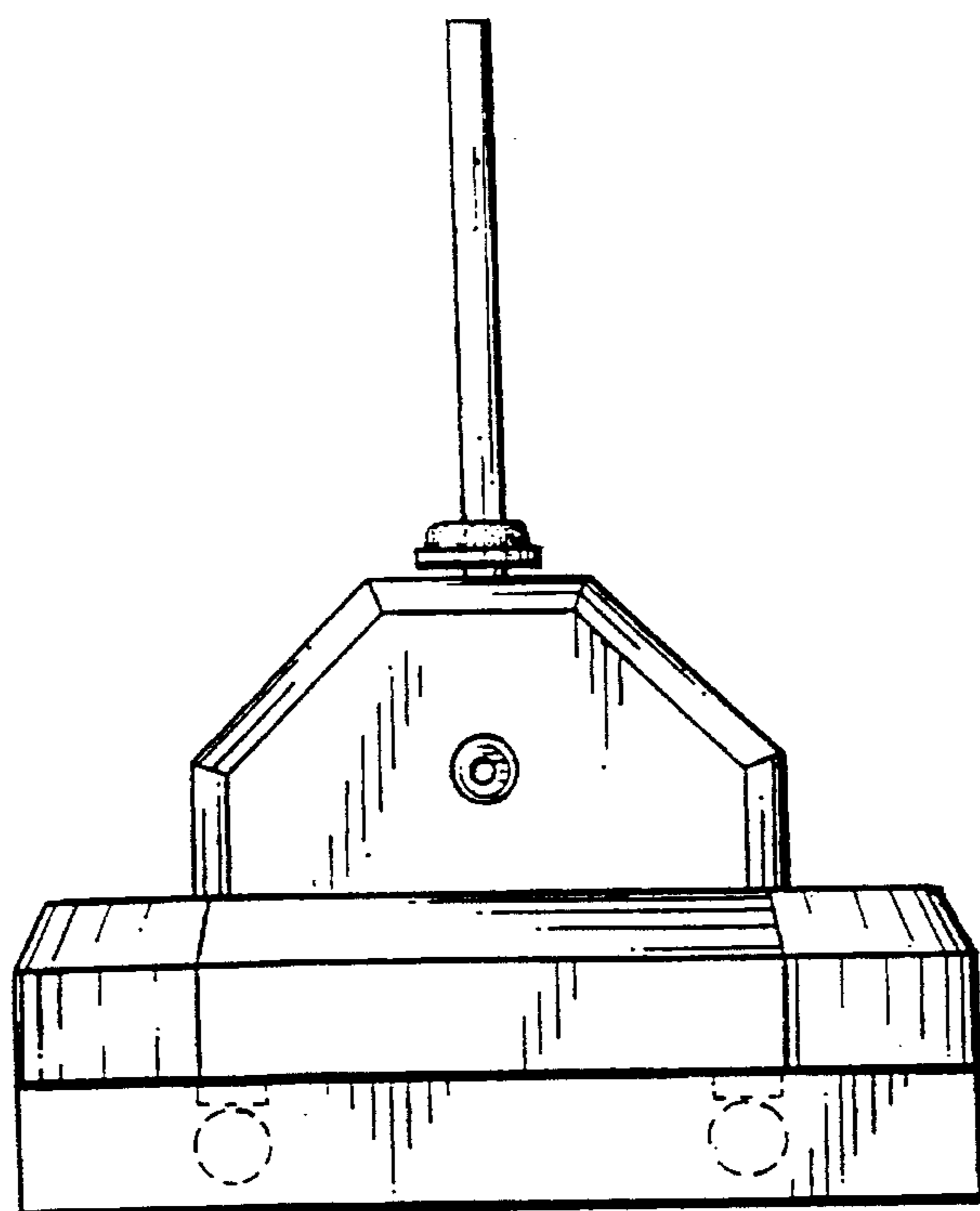


FIG. 3

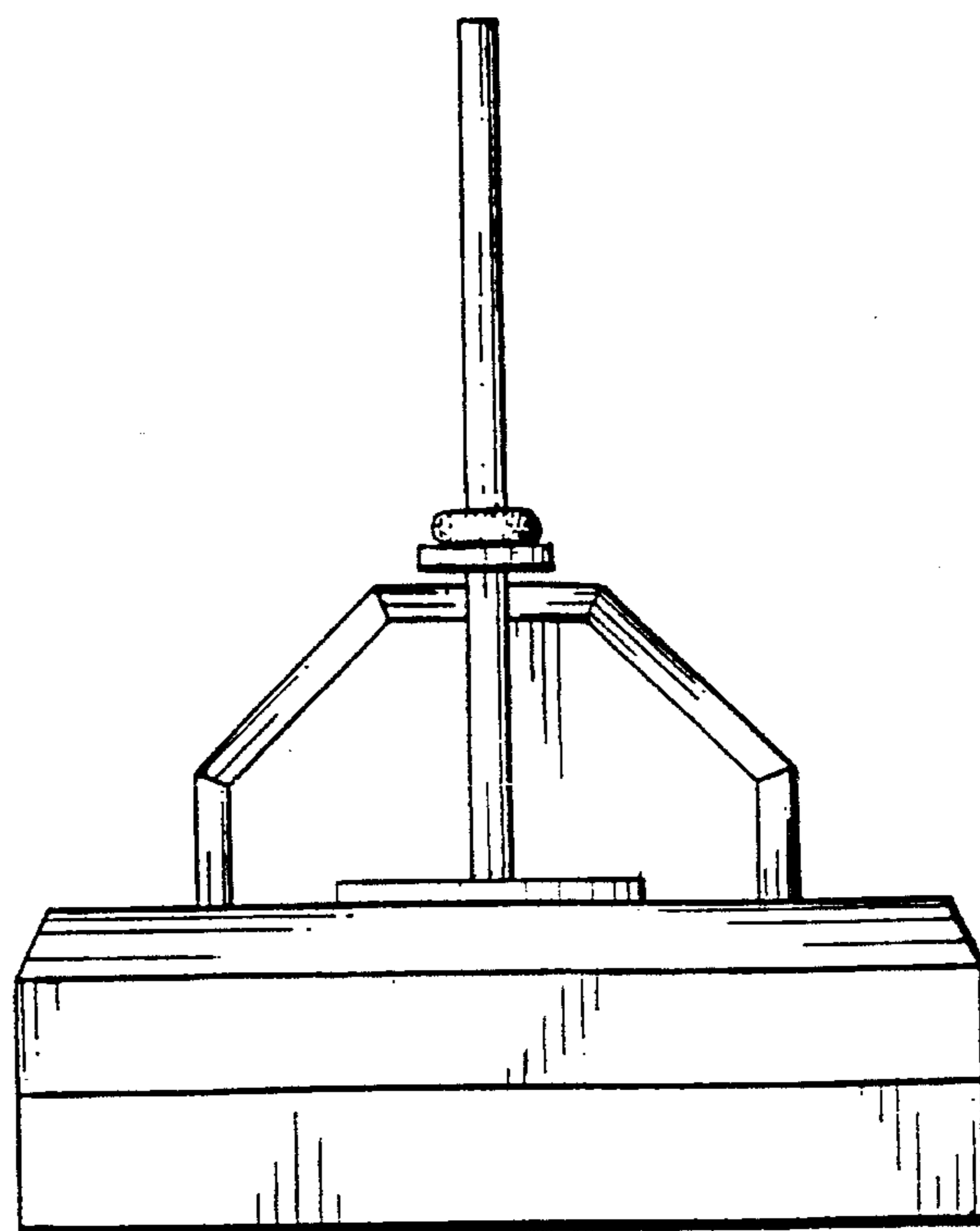


FIG. 4

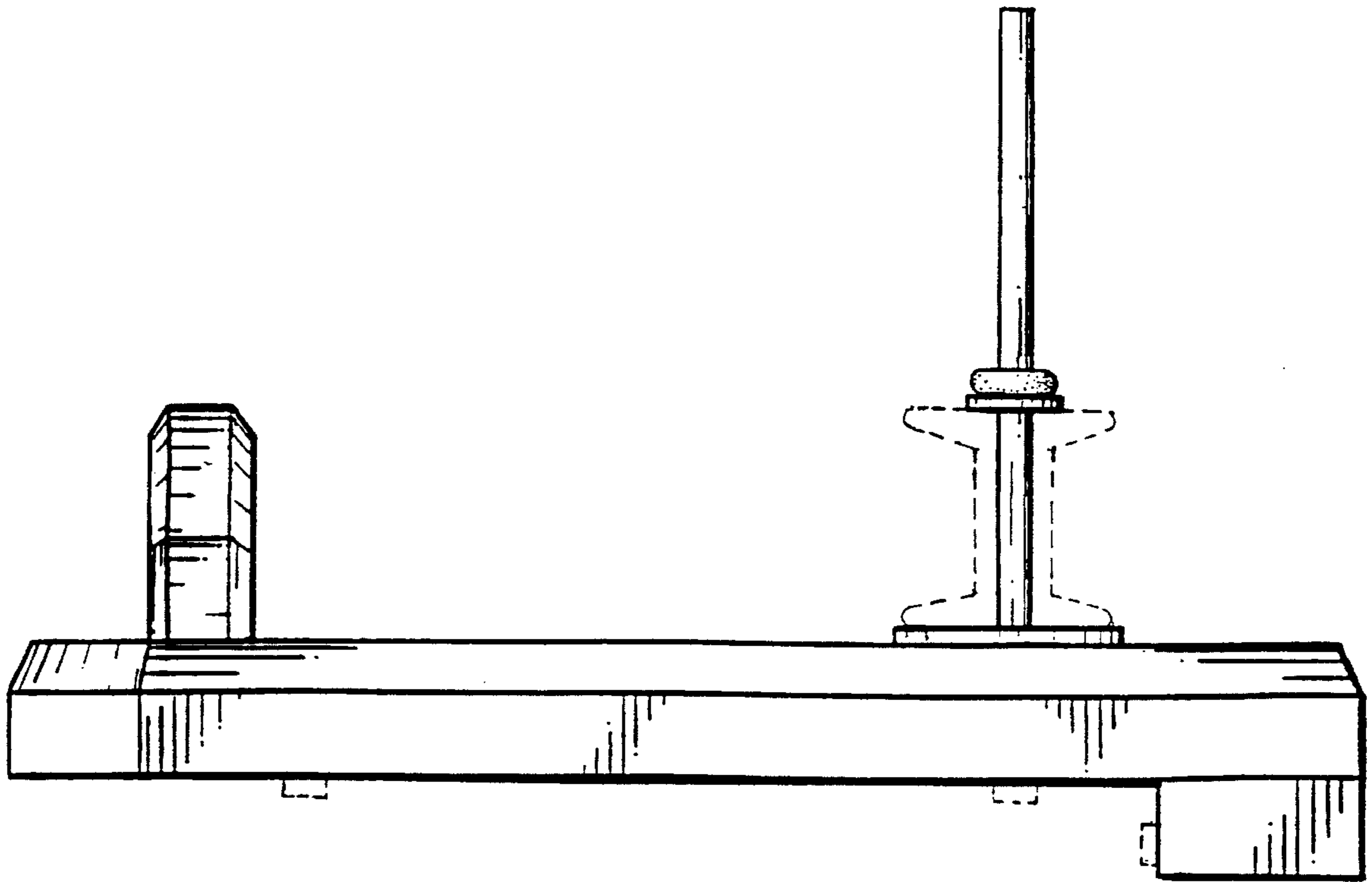


FIG. 5

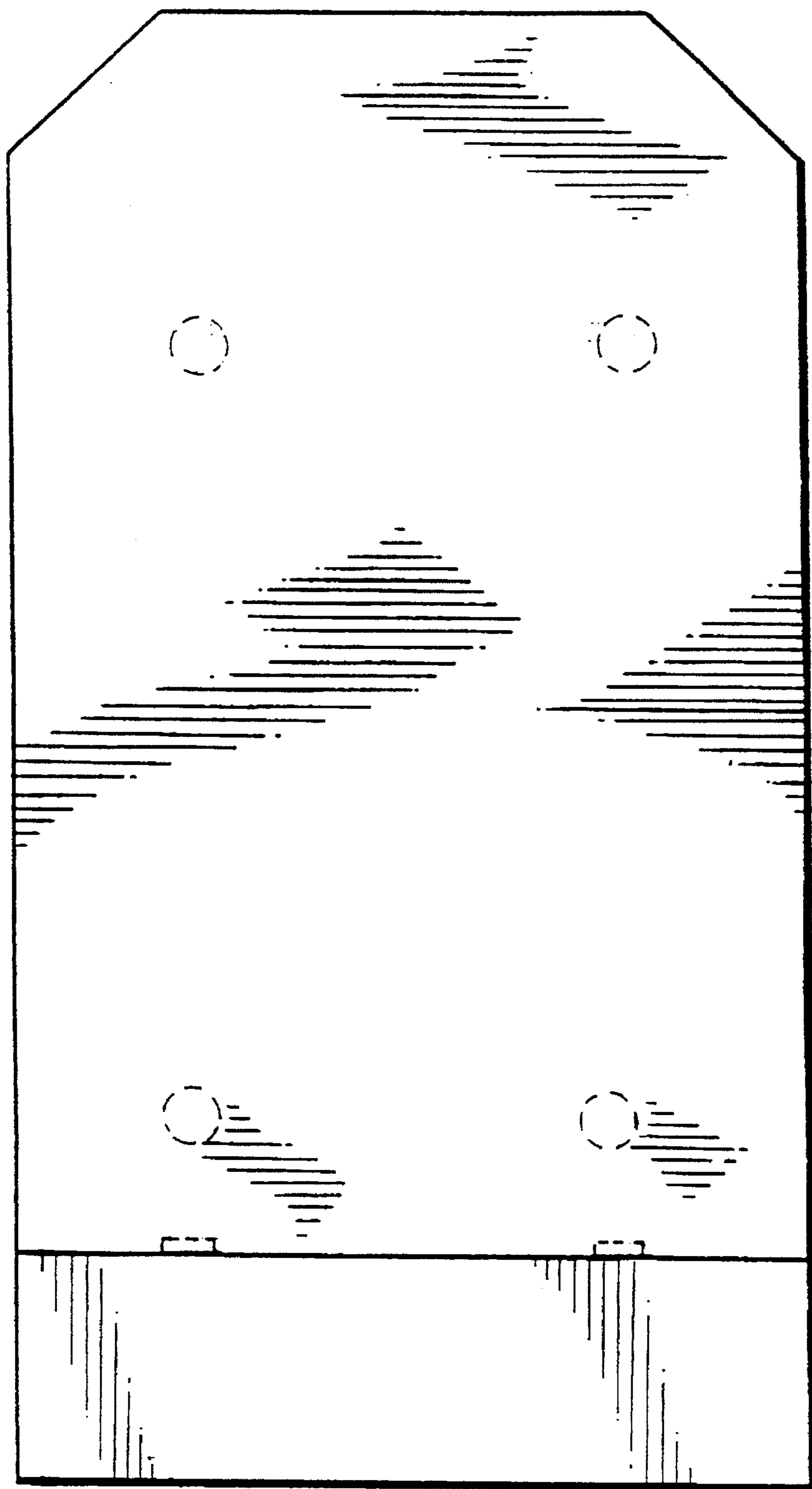


FIG. 6