



US00D376186S

# United States Patent [19]

[11] Patent Number: **Des. 376,186**

Penney

[45] Date of Patent: **\*\*Dec. 3, 1996**

[54] **SUPPORT STAND SIMULATIVE OF A RACE CAR CAGE**

4,952,152 8/1990 Briggs et al. .  
5,184,956 2/1993 Langlais et al. .

[76] Inventor: **Joe R. Penney**, 313 Noles La., Benton, Ky. 42025

*Primary Examiner*—Ted Shooman  
*Assistant Examiner*—Mitchell I. Siegel  
*Attorney, Agent, or Firm*—Richard C. Litman

[\*\*] Term: **14 Years**

[57] **CLAIM**

[21] Appl. No.: **46,941**

The ornamental design for a support stand simulative of a race car cage, as shown and described.

[22] Filed: **Nov. 20, 1995**

[52] U.S. Cl. .... **D21/250**

**DESCRIPTION**

[58] Field of Search ..... D21/250, 245;  
D19/62, 63; 482/35, 36

FIG. 1 is a perspective view of a support stand simulative of a race car cage showing my new design;  
FIG. 2 is a top view thereof;  
FIG. 3 is a right side elevational view thereof;  
FIG. 4 is a left side elevational view thereof;  
FIG. 5 is a front view thereof;  
FIG. 6 is a rear view thereof; and,  
FIG. 7 is a bottom view thereof.

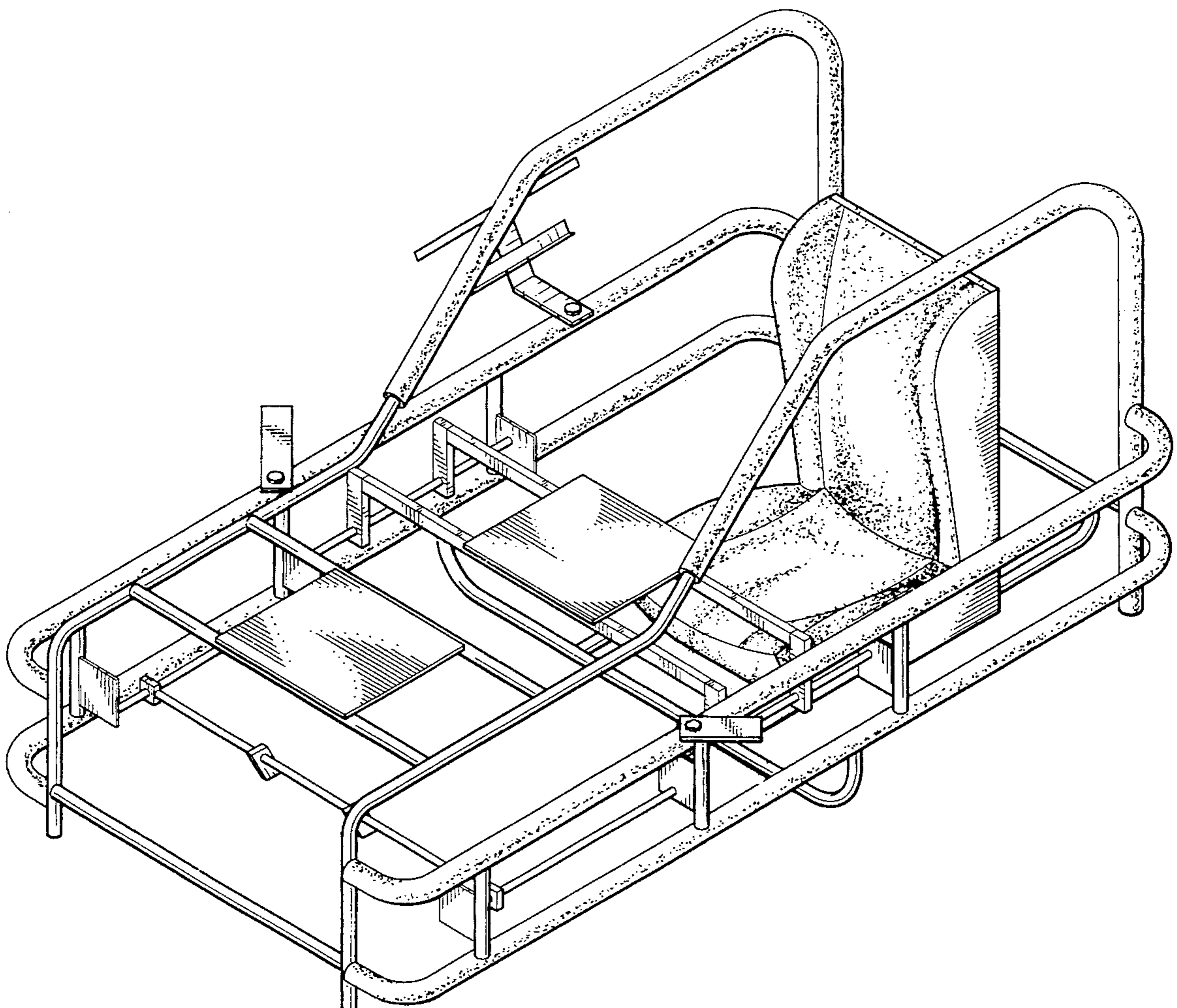
[56] **References Cited**

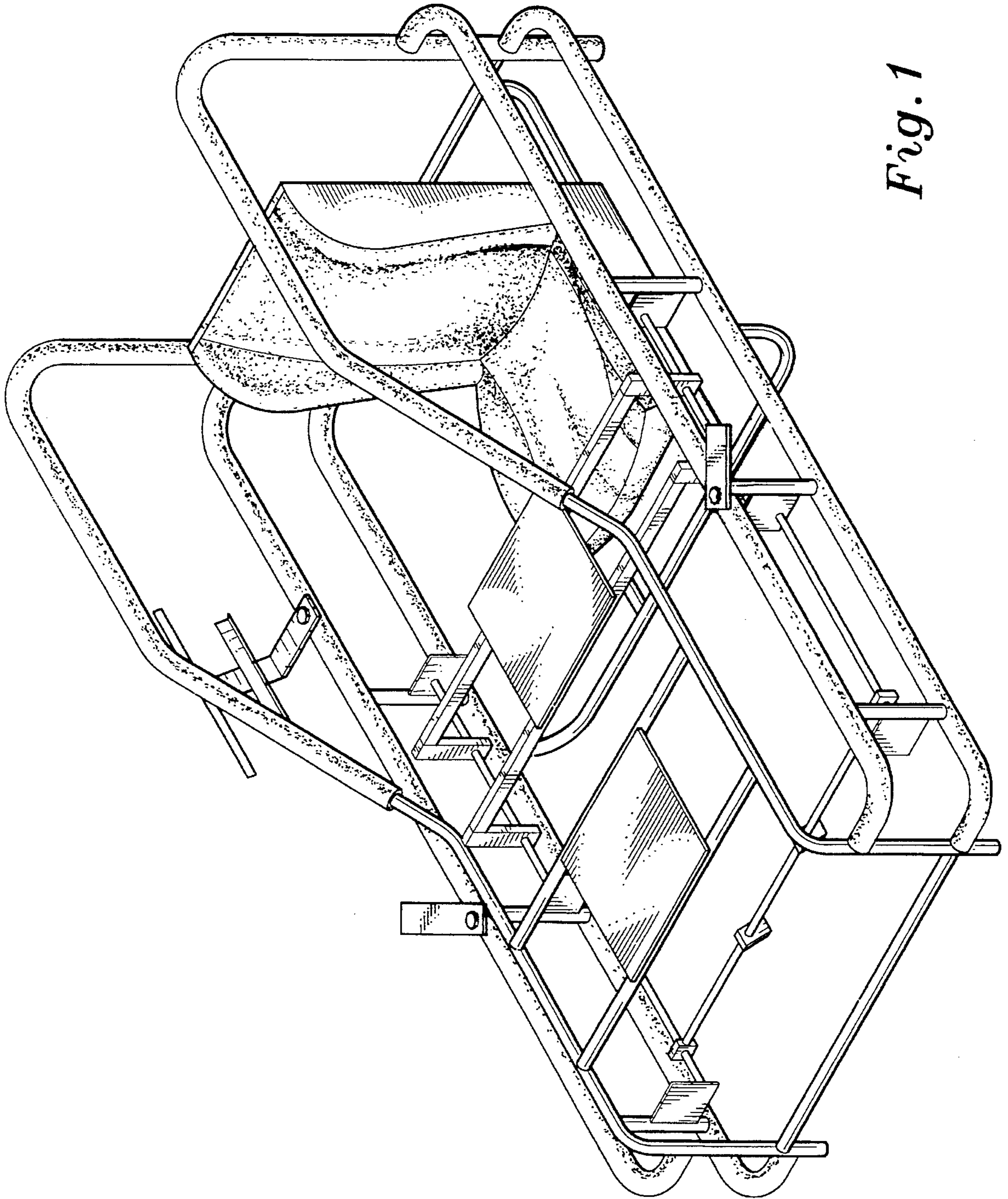
**U.S. PATENT DOCUMENTS**

- D. 188,376 7/1960 Hotkins et al. .
- D. 243,626 3/1977 Cheng .
- D. 257,875 1/1981 Rudy ..... D21/245
- D. 315,775 3/1991 Jones ..... D21/246
- D. 318,073 7/1991 Jang .
- D. 345,178 3/1994 Peterson .
- D. 345,580 3/1994 Carter et al. .
- 3,211,452 10/1965 Ahrens ..... D21/242 X
- 3,479,750 11/1969 Swanson .
- 4,276,030 6/1981 Radice .

The broken line showing of computer game components resting upon the support stand simulative of a race car cage is for illustrative purposes only and forms no part of the claimed design.

**1 Claim, 6 Drawing Sheets**





*Fig. 1*

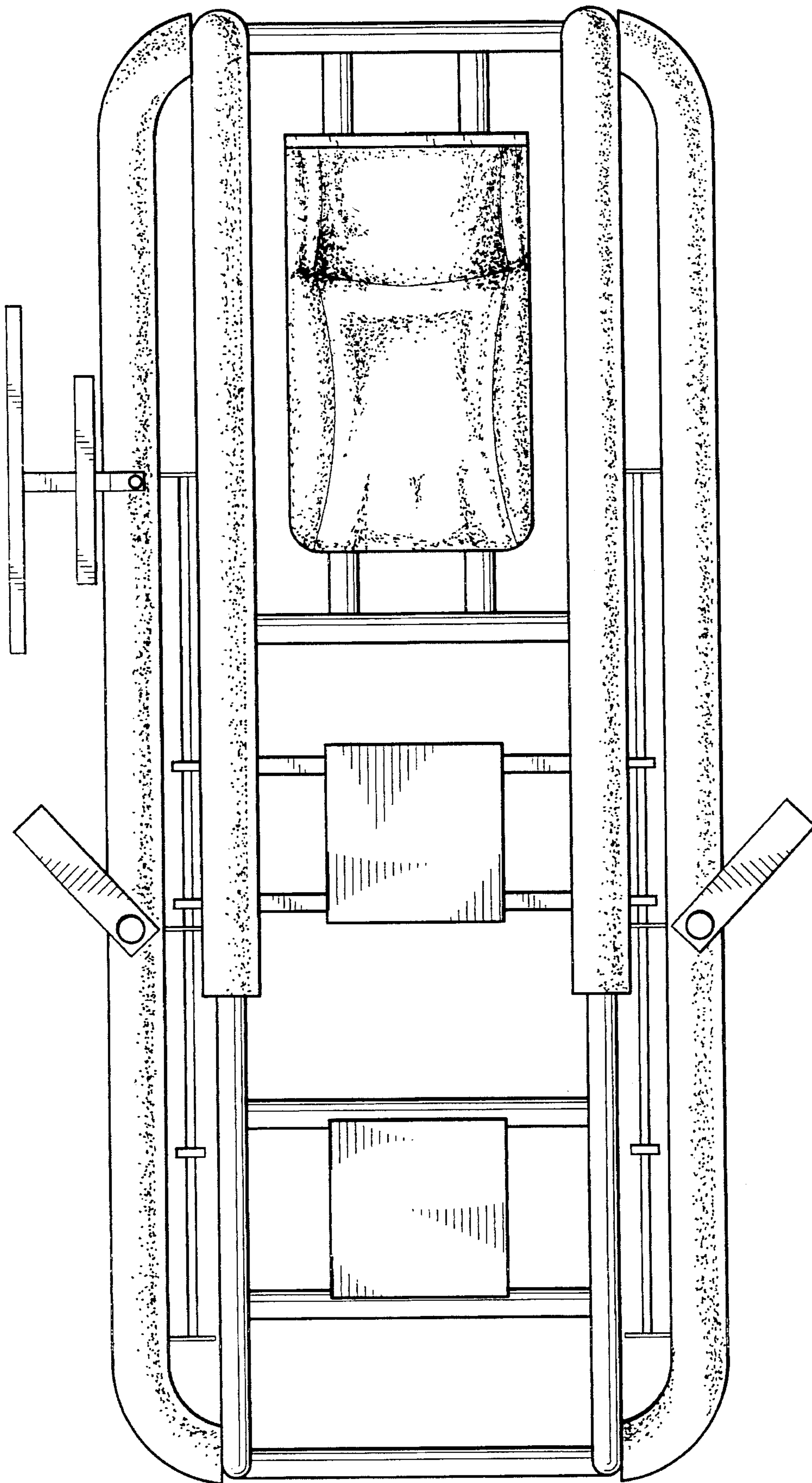
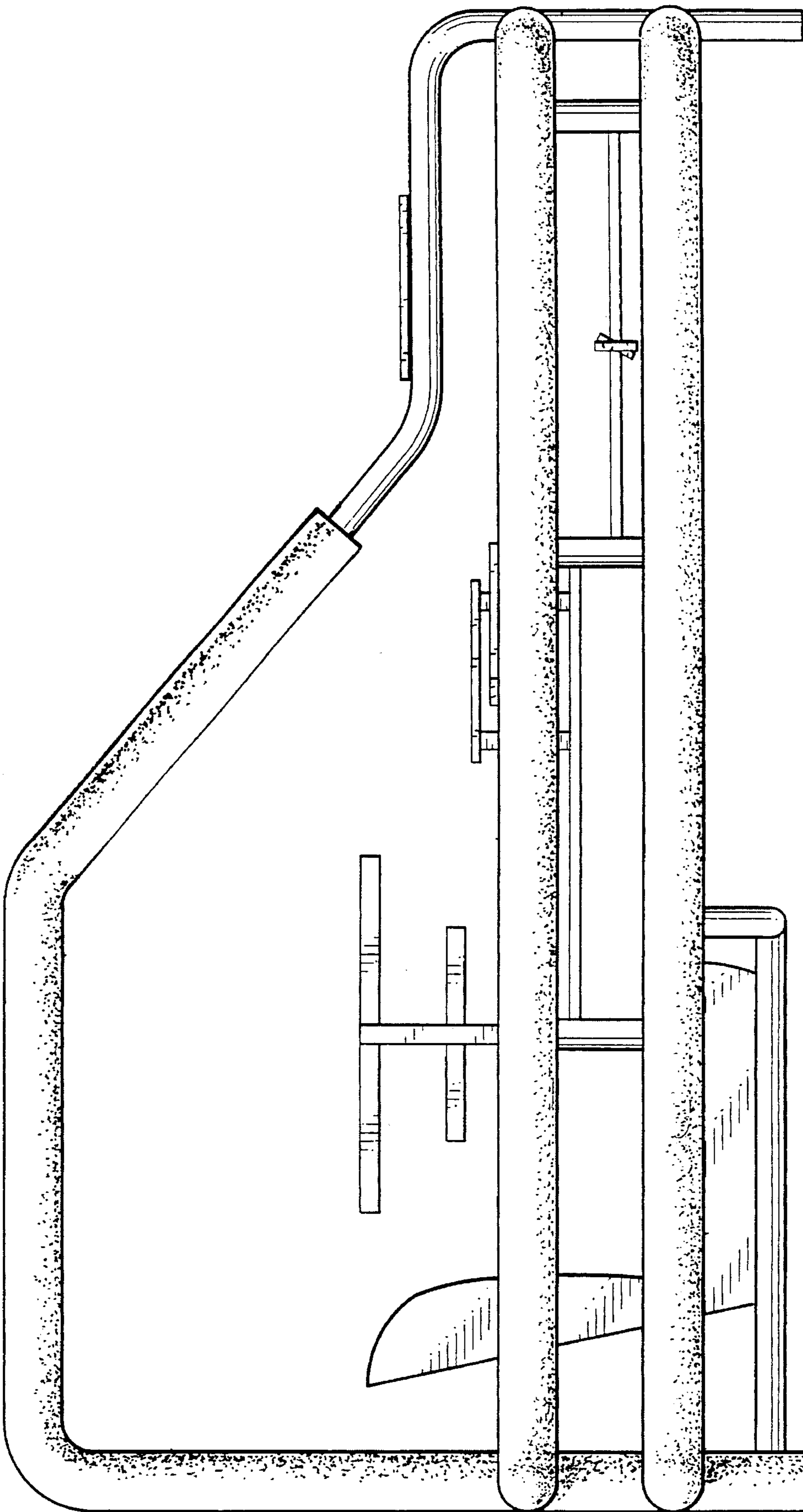
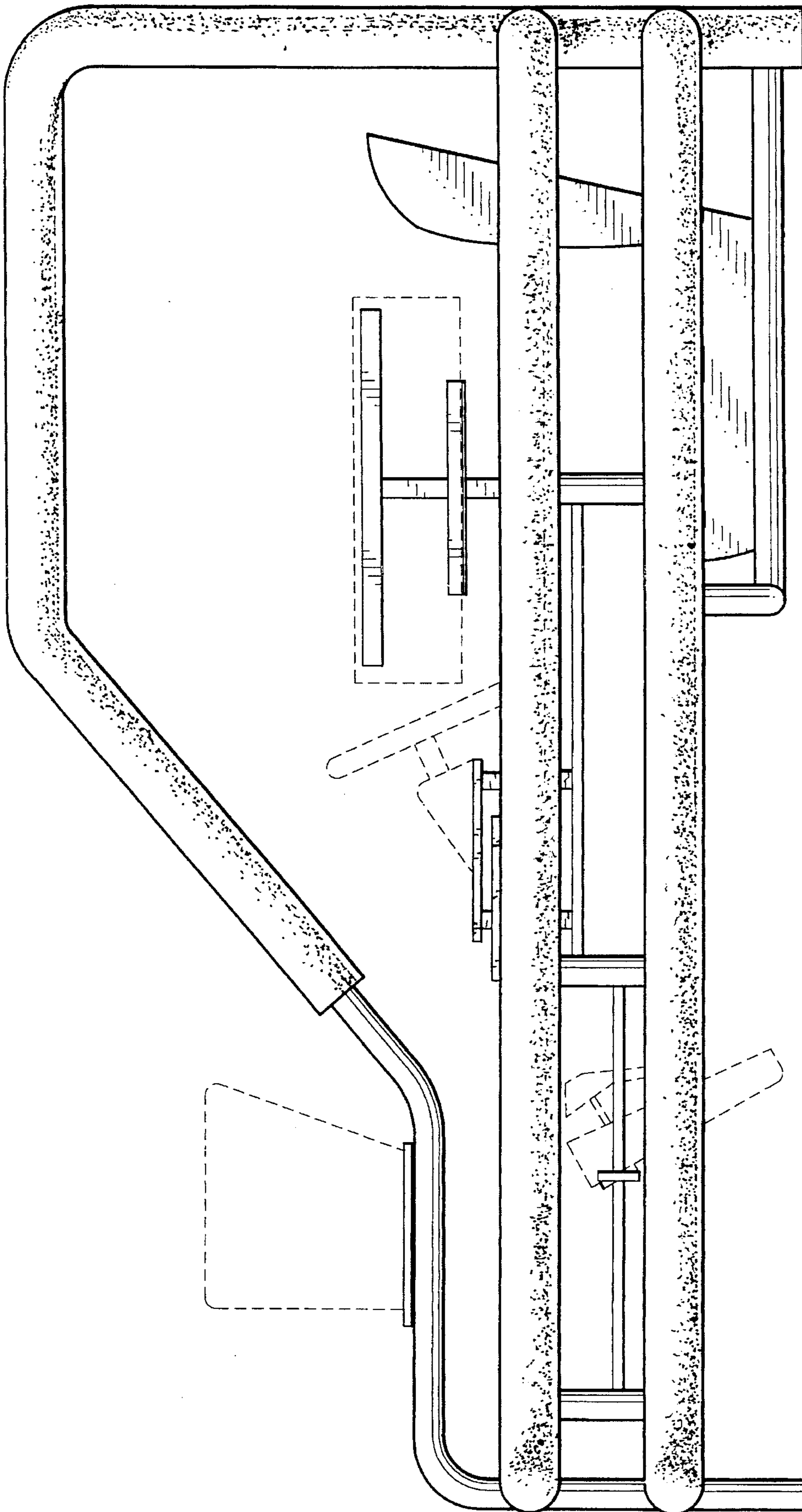


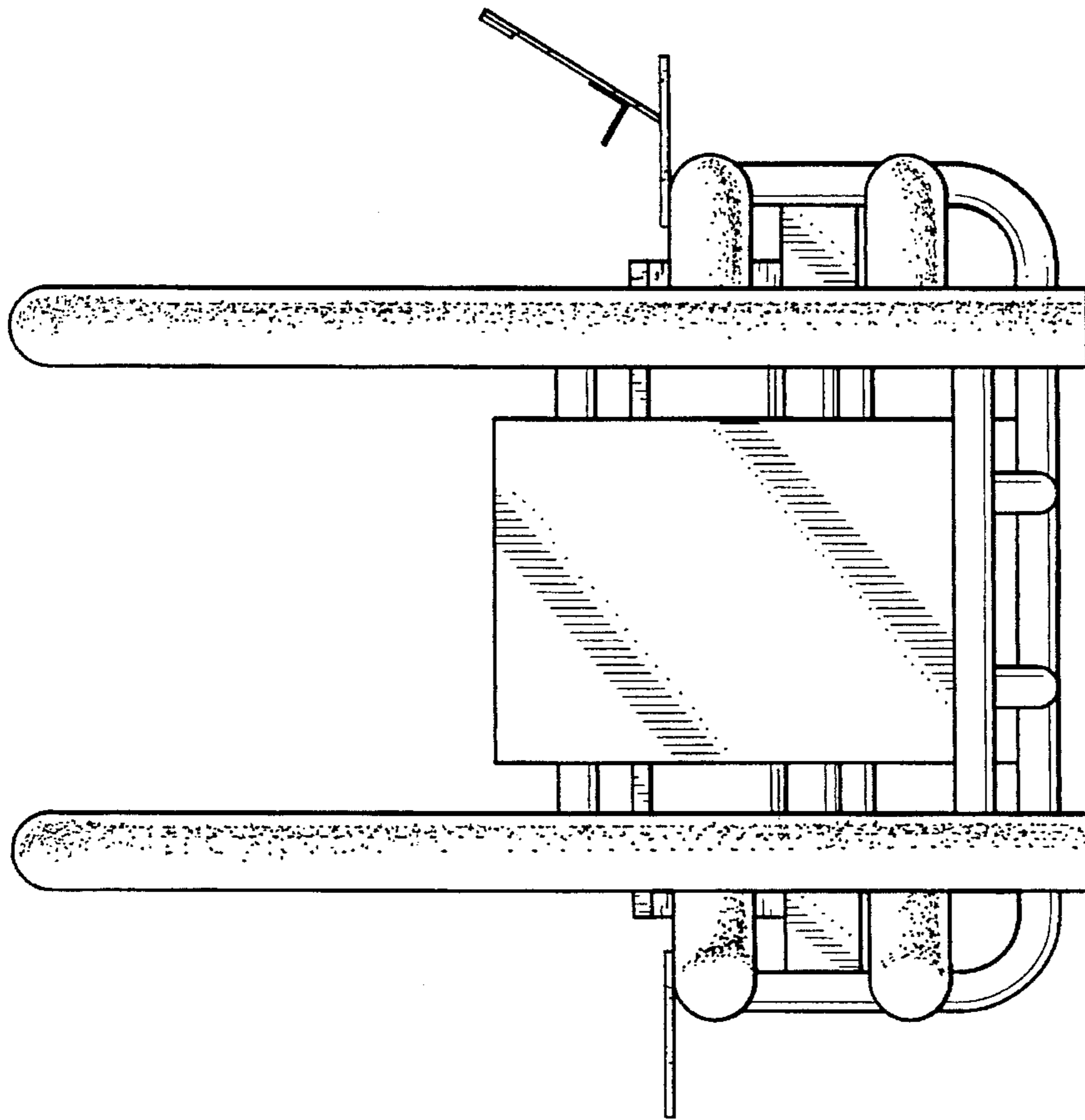
Fig. 2



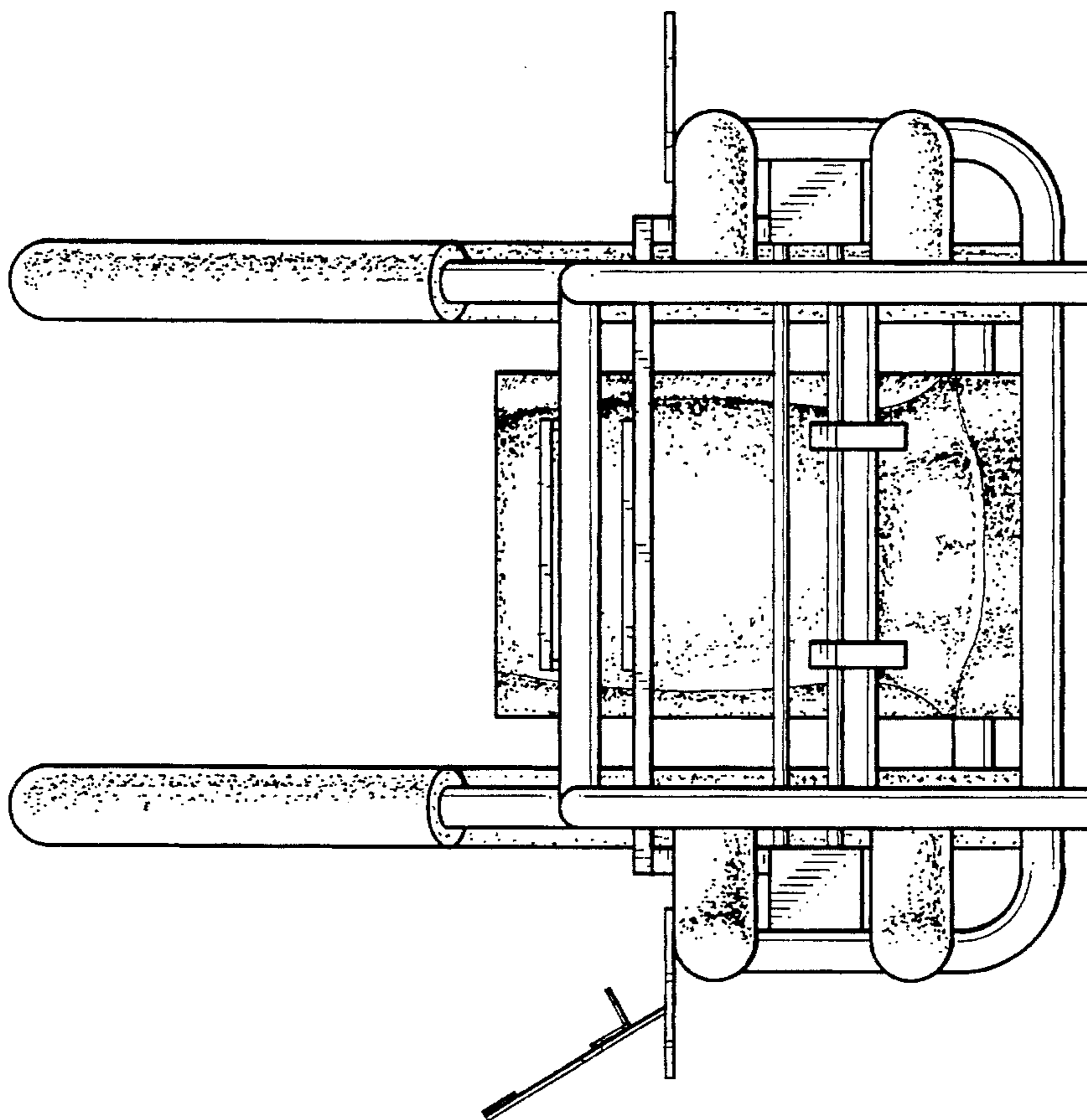
*Fig. 3*



*Fig. 4*



*Fig. 6*



*Fig. 5*

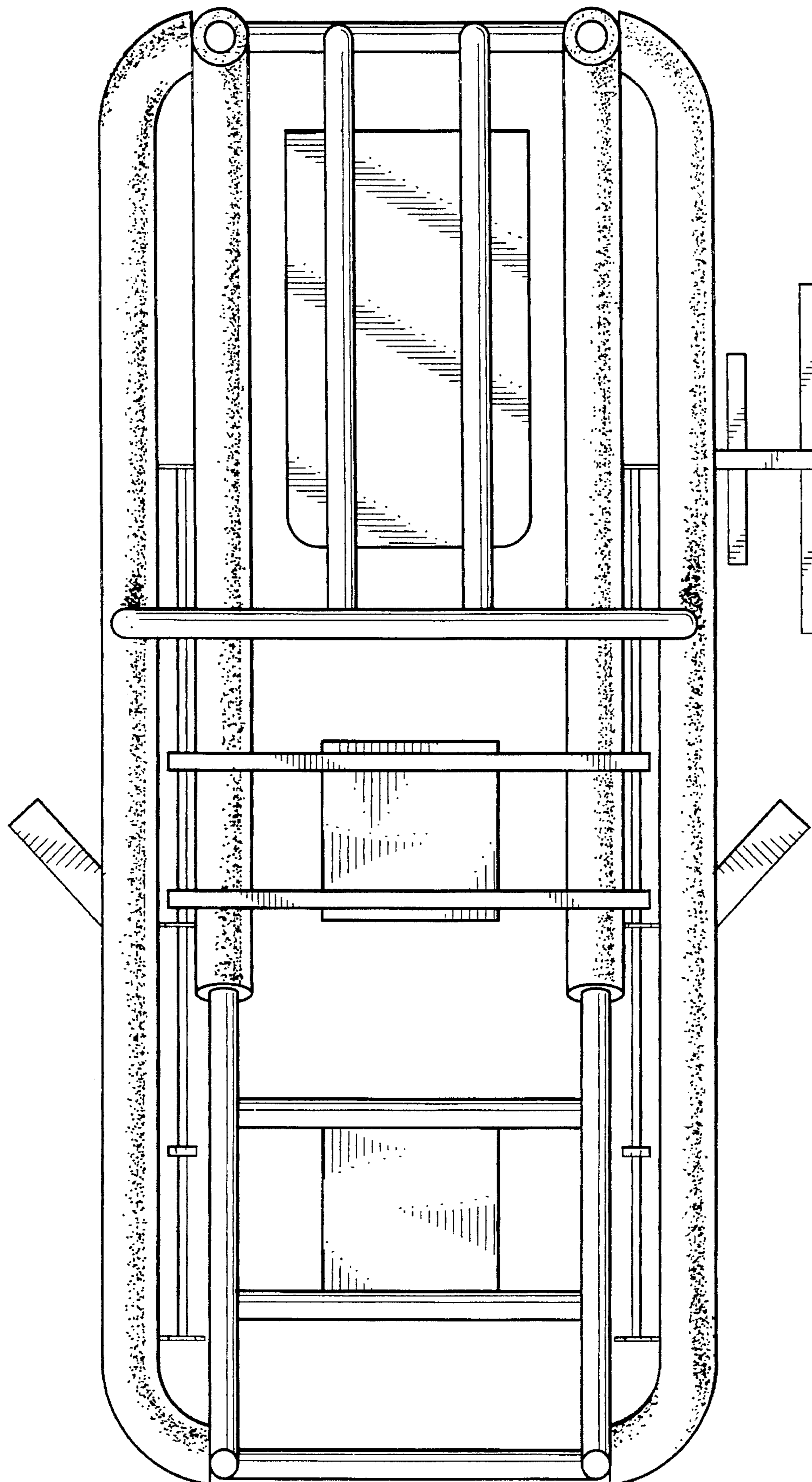


Fig. 7