



US00D376181S

United States Patent [19]

Gilbert, Jr. et al.

[11] Patent Number: **Des. 376,181**

[45] Date of Patent: ****Dec. 3, 1996**

[54] **NOISEMAKER**

[75] Inventors: **Lloyd Gilbert, Jr.**, Broken Arrow;
Mark S. Hanna, Tulsa, both of Okla.

[73] Assignee: **Michael B. Fine**, Tulsa, Okla.

[**] Term: **14 Years**

[21] Appl. No.: **48,494**

[22] Filed: **Dec. 29, 1995**

3,444,772 5/1969 Martin 84/402
 3,490,410 1/1970 Crawford, Sr. 116/67
 3,499,361 3/1970 Harleman 84/402
 3,783,733 1/1974 Zirimis 84/402
 4,463,517 8/1984 Kerr et al. 446/421
 4,810,228 3/1989 Huggins 446/418
 4,976,651 12/1990 Frank 446/421

Primary Examiner—Dominic Simone
Attorney, Agent, or Firm—Dougherty, Hessin, Beavers & Gilbert

Related U.S. Application Data

[60] Division of Ser. No. 10,985, Jul. 21, 1993, Pat. No. Des. 369,388, which is a continuation-in-part of Ser. No. 930,139, Aug. 14, 1992, abandoned.

[52] **U.S. Cl.** **D21/64; D21/100**

[58] **Field of Search** **D21/59, 64, 65, D21/100; 446/417, 418, 421, 422**

[57] CLAIM

The ornamental design for a noisemaker, as shown and described.

DESCRIPTION

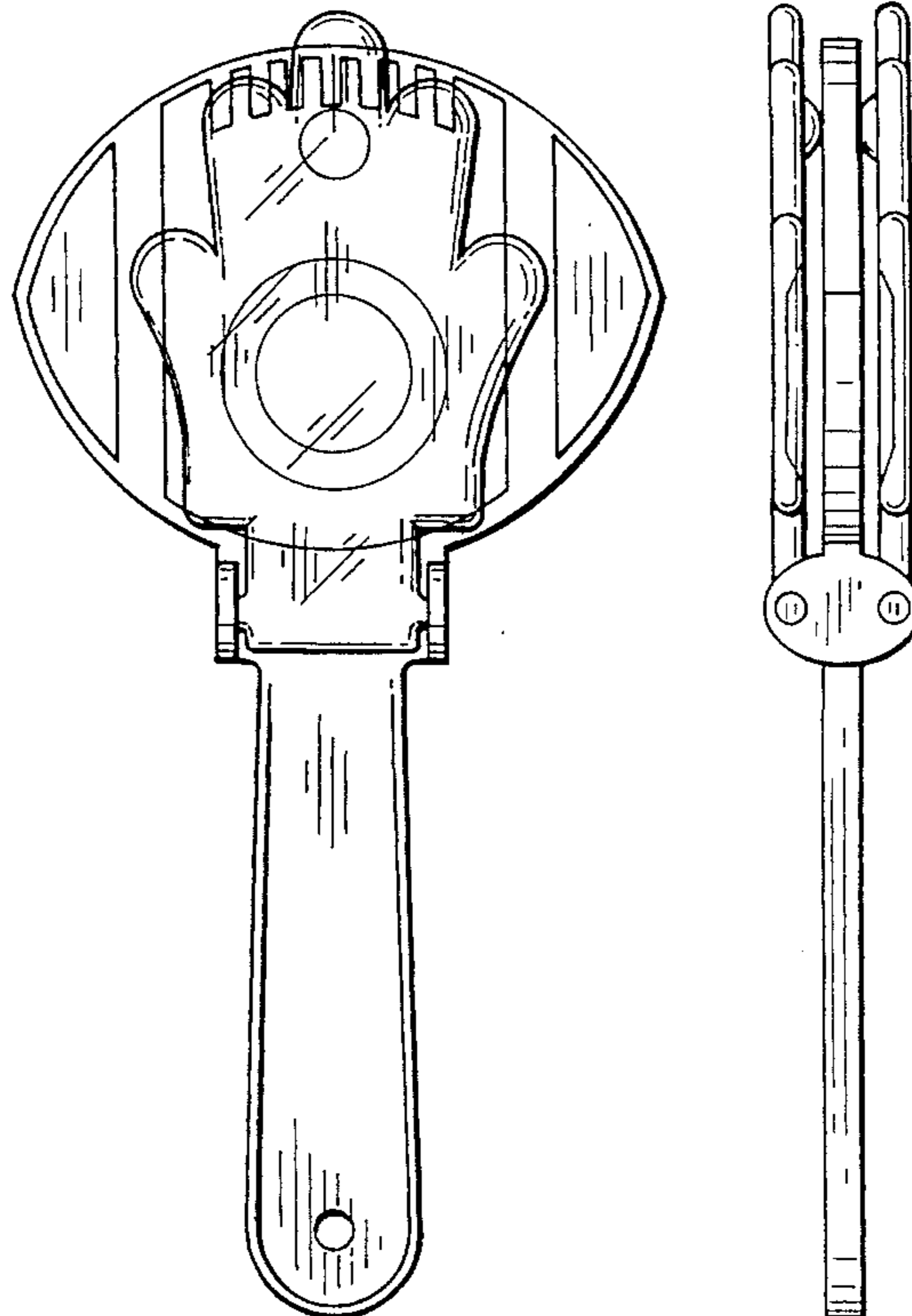
FIG. 1 is a front elevational view of an embodiment of a noisemaker showing our new design, the rear elevational view being substantially identical thereto;
 FIG. 2 is a top plan view thereof;
 FIG. 3 is a right side elevational view thereof, the left side elevational view being substantially identical thereto;
 FIG. 4 is a bottom plan view thereof;
 FIG. 5 is a front elevational view of another embodiment of a noisemaker showing our new design, the rear elevational view being substantially identical thereto, the right side elevational view and left side elevational view being substantially identical to FIG. 3, the bottom plan view being substantially identical to FIG. 4; and,
 FIG. 6 is a front elevational view of another embodiment of a noisemaker showing our new design which is similar to the third embodiment of FIGS. 1-4.

[56] References Cited

U.S. PATENT DOCUMENTS

D. 32,982	7/1900	Jackson	D21/64
D. 73,752	11/1927	Marks	D21/65
D. 162,190	2/1956	Leppinon	D21/64
166,344	8/1875	Crandall	.	
D. 260,655	9/1981	Guay	D17/22
D. 276,827	12/1984	Jones	D21/65
D. 290,655	6/1987	Thomson et al.	D24/45
D. 312,844	12/1990	Jones	D21/64
D. 318,695	7/1991	Rosa	D21/65
471,046	3/1892	Wilskey	.	
1,567,803	12/1925	Ludwig	.	
3,157,000	11/1964	Stonig	446/418

1 Claim, 2 Drawing Sheets



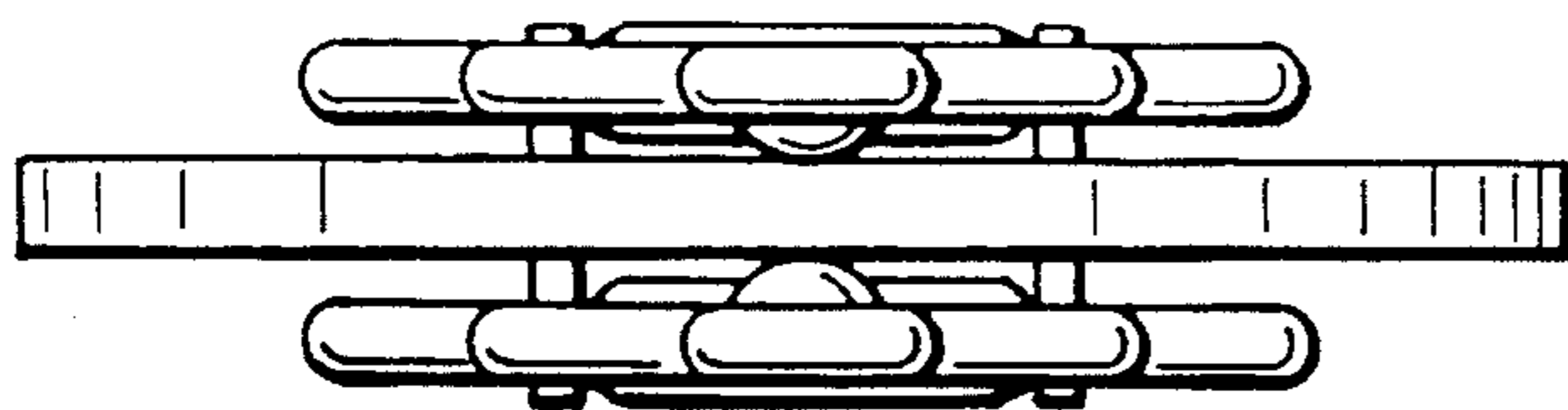


Fig. 2

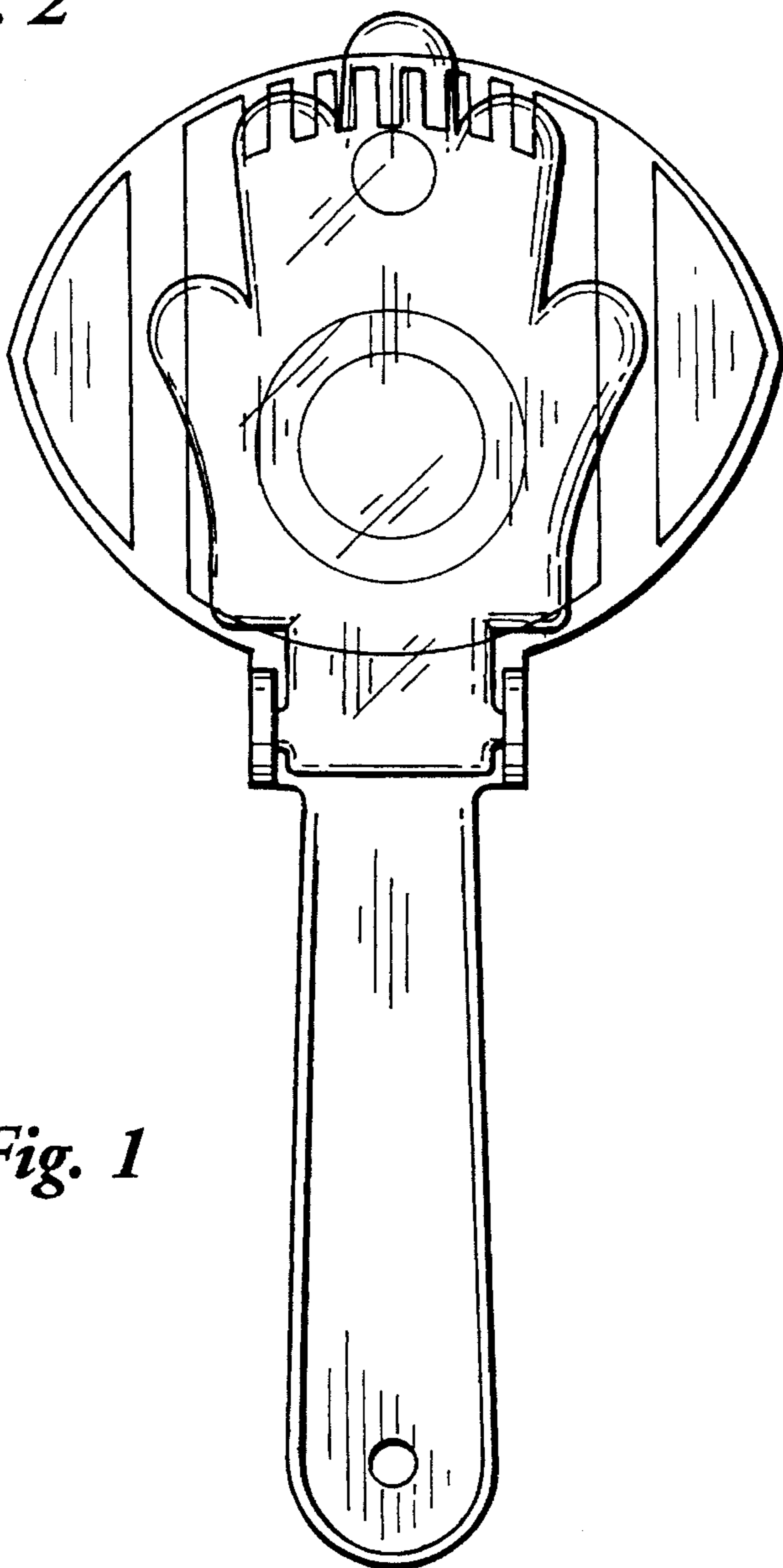


Fig. 1



Fig. 3

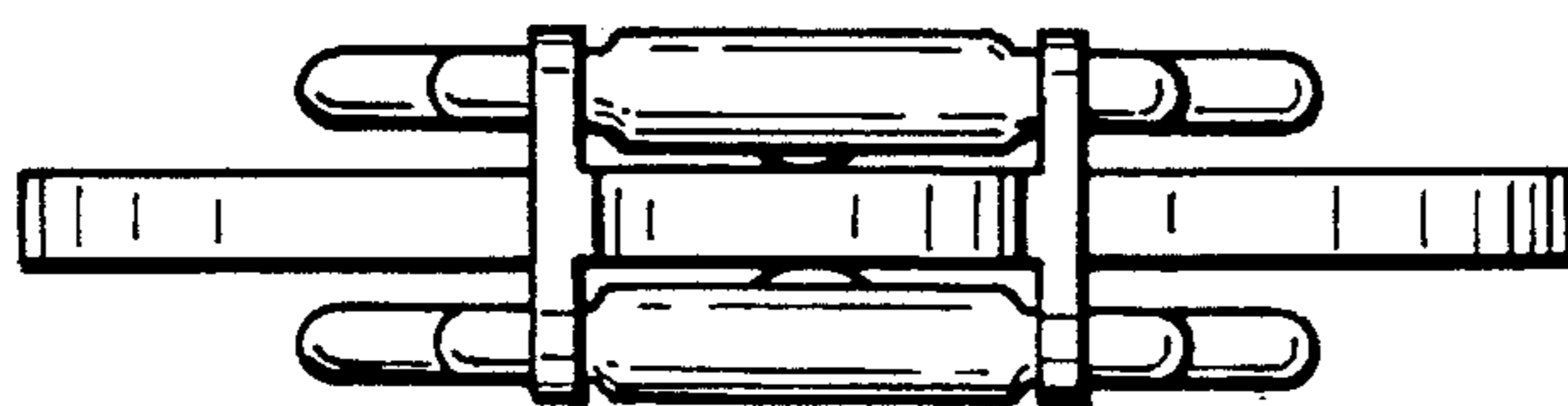


Fig. 4

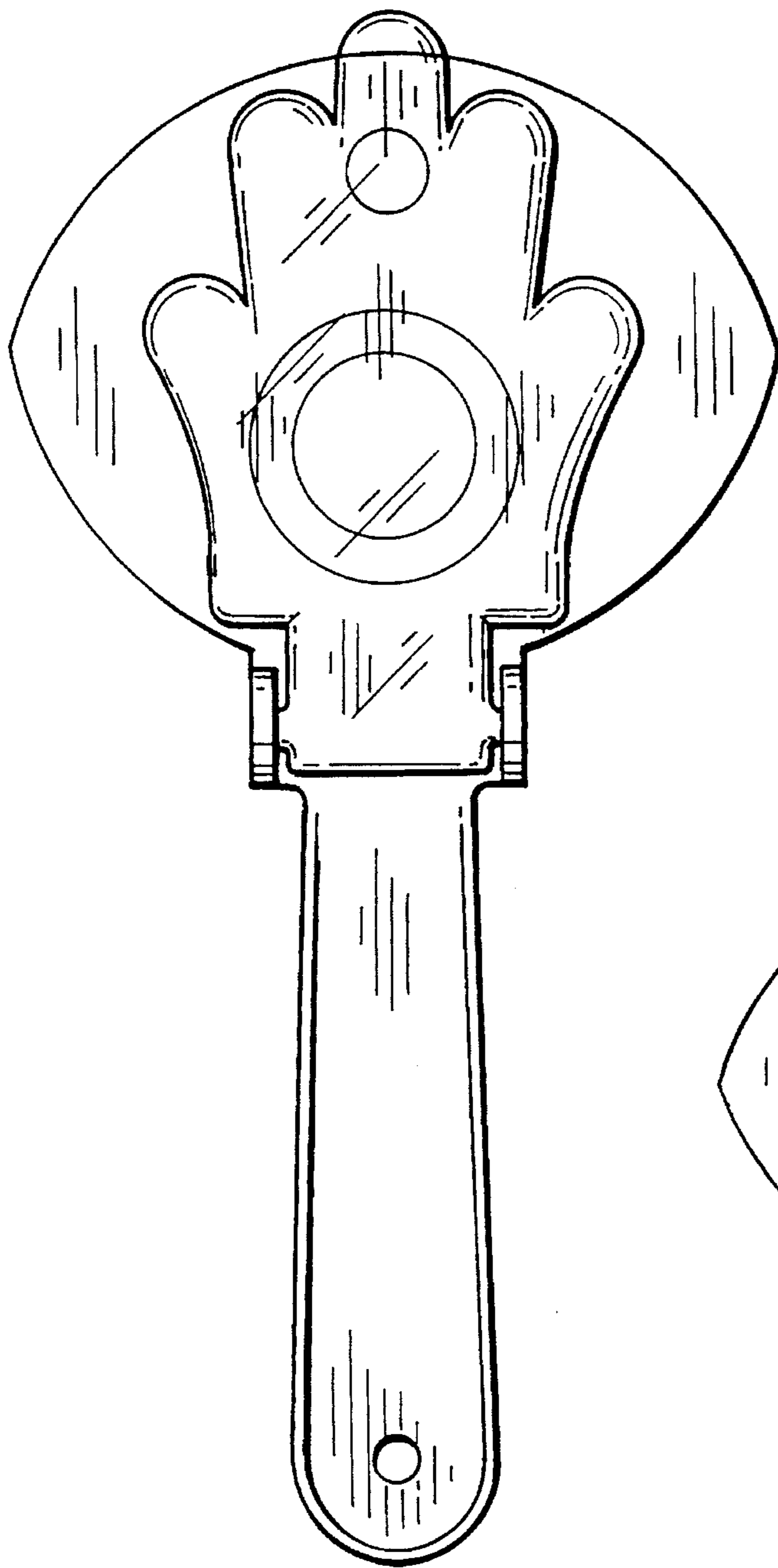


Fig. 5

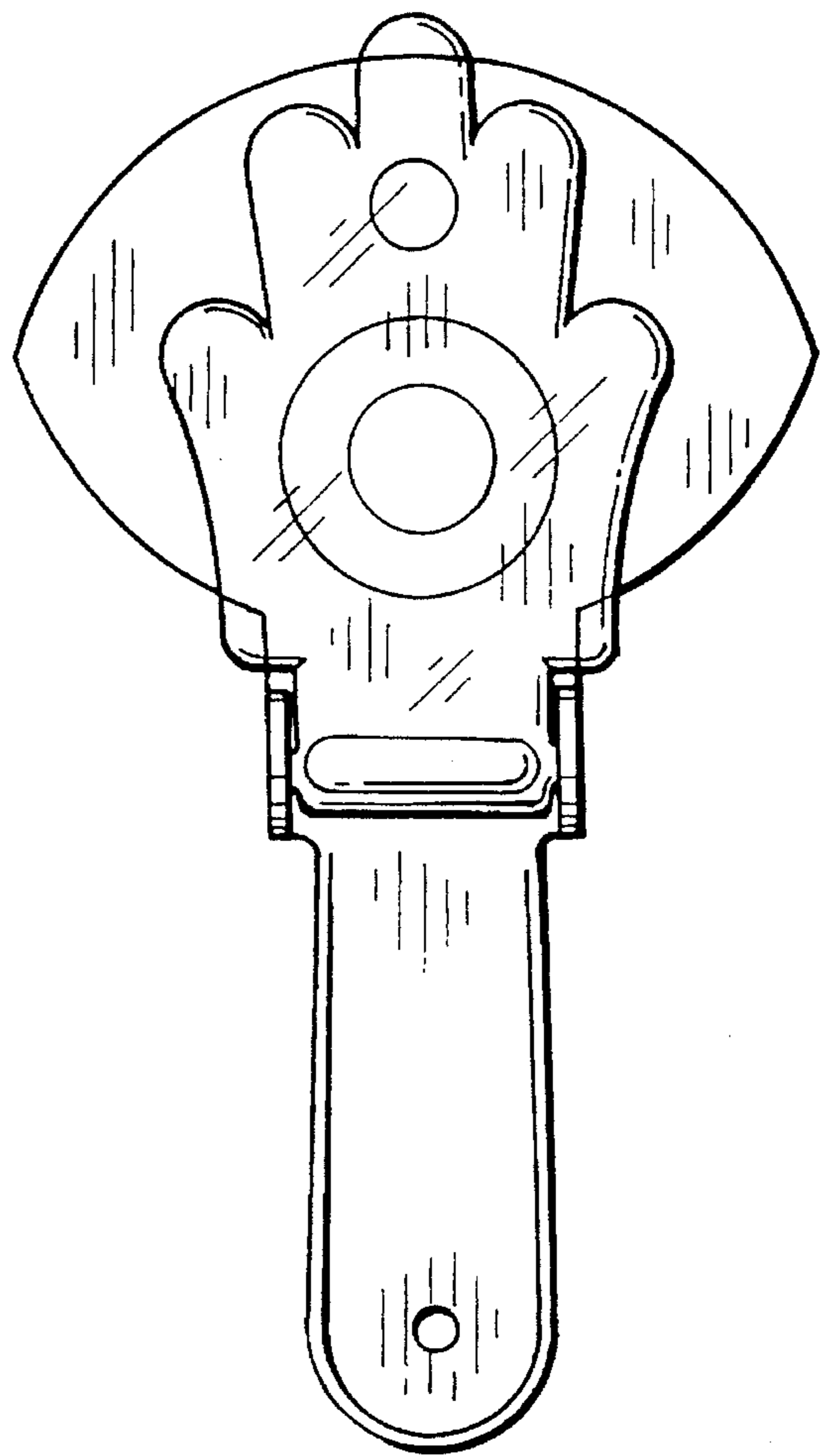


Fig. 6

UNITED STATES PATENT AND TRADEMARK OFFICE
CERTIFICATE OF CORRECTION

PATENT NO. : Des.376,181

DATED : December 3, 1996

INVENTOR(S) : Lloyd Gilbert, Jr., and Mark S. Hanna

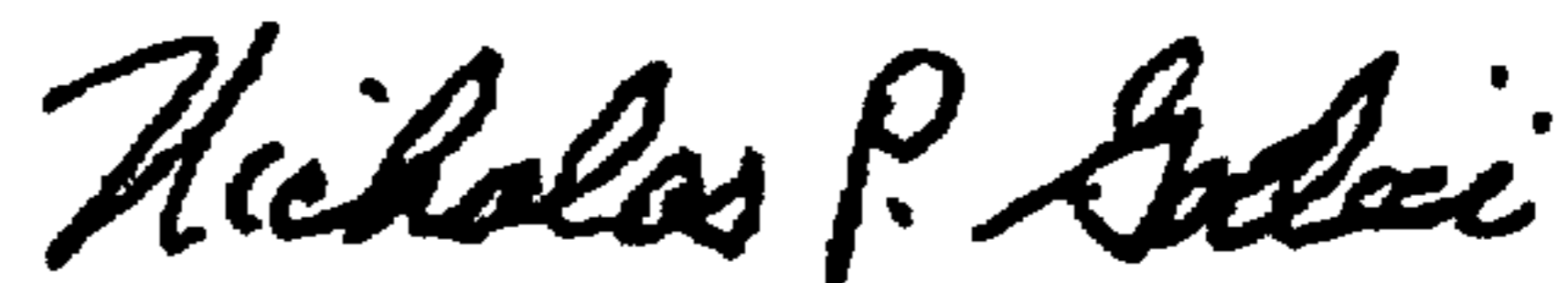
It is certified that error appears in the above-identified patent and that said Letters Patent is hereby corrected as shown below:

IN THE DESCRIPTION:

In the description of Figure 6, Line 3, delete the word "third".

Signed and Sealed this
Twenty-ninth Day of May, 2001

Attest:



NICHOLAS P. GODICI

Attesting Officer

Acting Director of the United States Patent and Trademark Office