



US00D376168S

United States Patent [19]

[11] Patent Number: **Des. 376,168**

Lamy

[45] Date of Patent: ****Dec. 3, 1996**

[54] **EYEGGLASSES FRAME**

[76] Inventor: **Patrick Lamy**, Mainsonneuve, 71580 Saillenard, France

[**] Term: **14 Years**

[21] Appl. No.: **25,245**

[22] Filed: **Jun. 28, 1994**

[52] U.S. Cl. **D16/307**

[58] Field of Search D16/307, 303, D16/304, 306, 310, 314, 317, 318, 321, 323, 324, 326, 327, 329, 330, 341, 900; 351/44, 51, 52, 59, 63, 103, 106, 110, 118, 119, 122, 158

2,558,499 6/1951 Splaine 351/51
 2,743,543 5/1956 Goddard 351/52
 5,099,360 3/1992 Tovi 351/44

Primary Examiner—Ted Shooman
Assistant Examiner—R. Barkai
Attorney, Agent, or Firm—Rosen, Dainow & Jacobs Limited Liability Partnership

[57] CLAIM

The ornamental design for eyeglasses frame, as shown.

DESCRIPTION

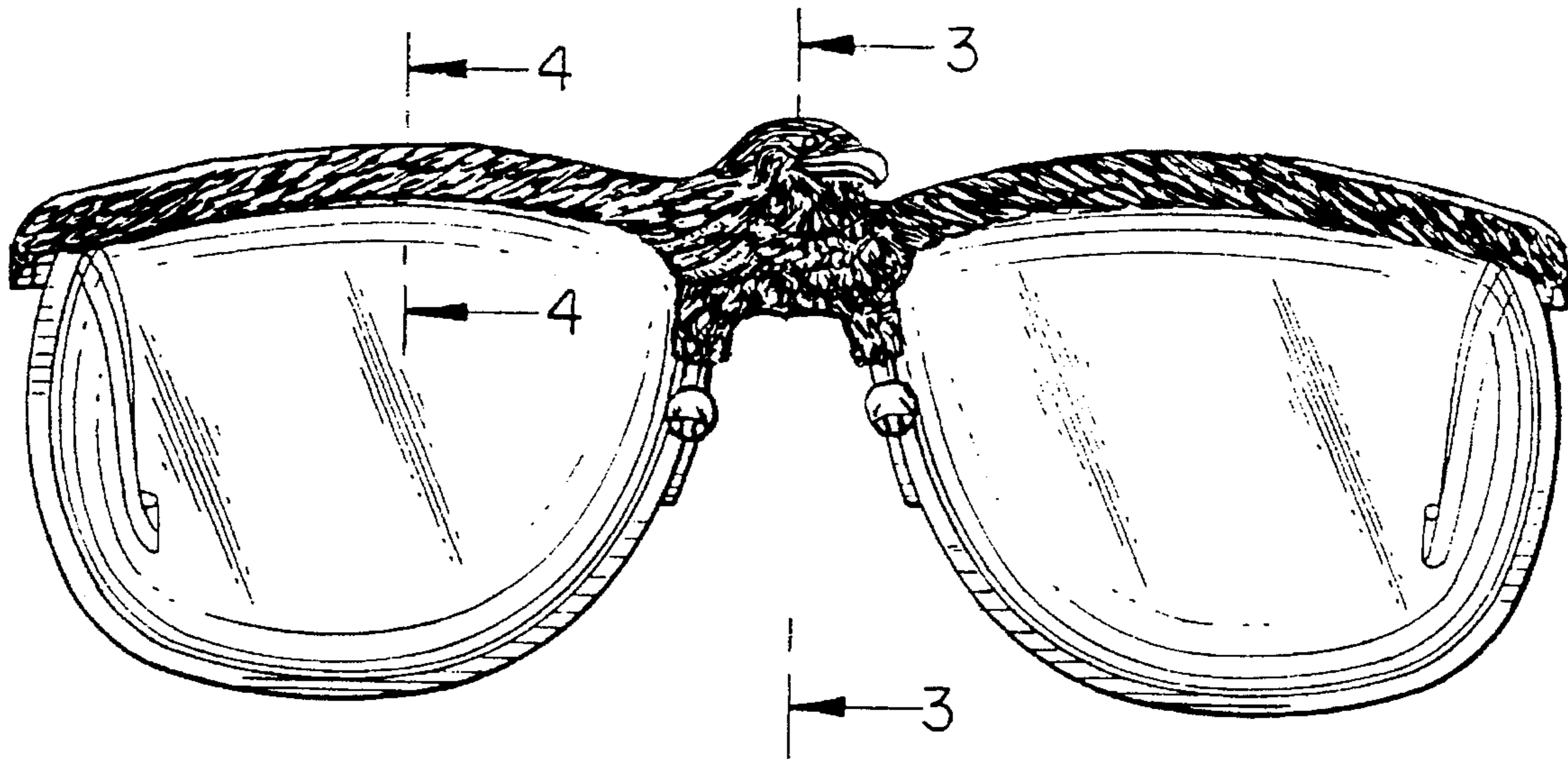
FIG. 1 is a front elevation view of an eyeglasses frame showing my new design;
 FIG. 2 is a top plan view thereof;
 FIG. 3 is a cross sectional view along lines 3—3 of FIG. 1;
 FIG. 4 is a cross sectional view along lines 4—4 of FIG. 1;
 FIG. 5 is a right side elevation view thereof;
 FIG. 6 is a cross sectional view along lines 6—6 of FIG. 5;
 FIG. 7 is a rear view thereof;
 FIG. 8 is a bottom elevation view thereof; and,
 FIG. 9 is a left side elevation view thereof.

[56] References Cited

U.S. PATENT DOCUMENTS

D. 147,475 9/1947 Schwartz D16/323
 D. 149,007 3/1948 Lewis 351/51
 D. 150,911 9/1948 Tanasso D16/323
 D. 193,029 6/1962 Knowles D16/341
 D. 193,114 6/1962 Green D16/341

1 Claim, 4 Drawing Sheets



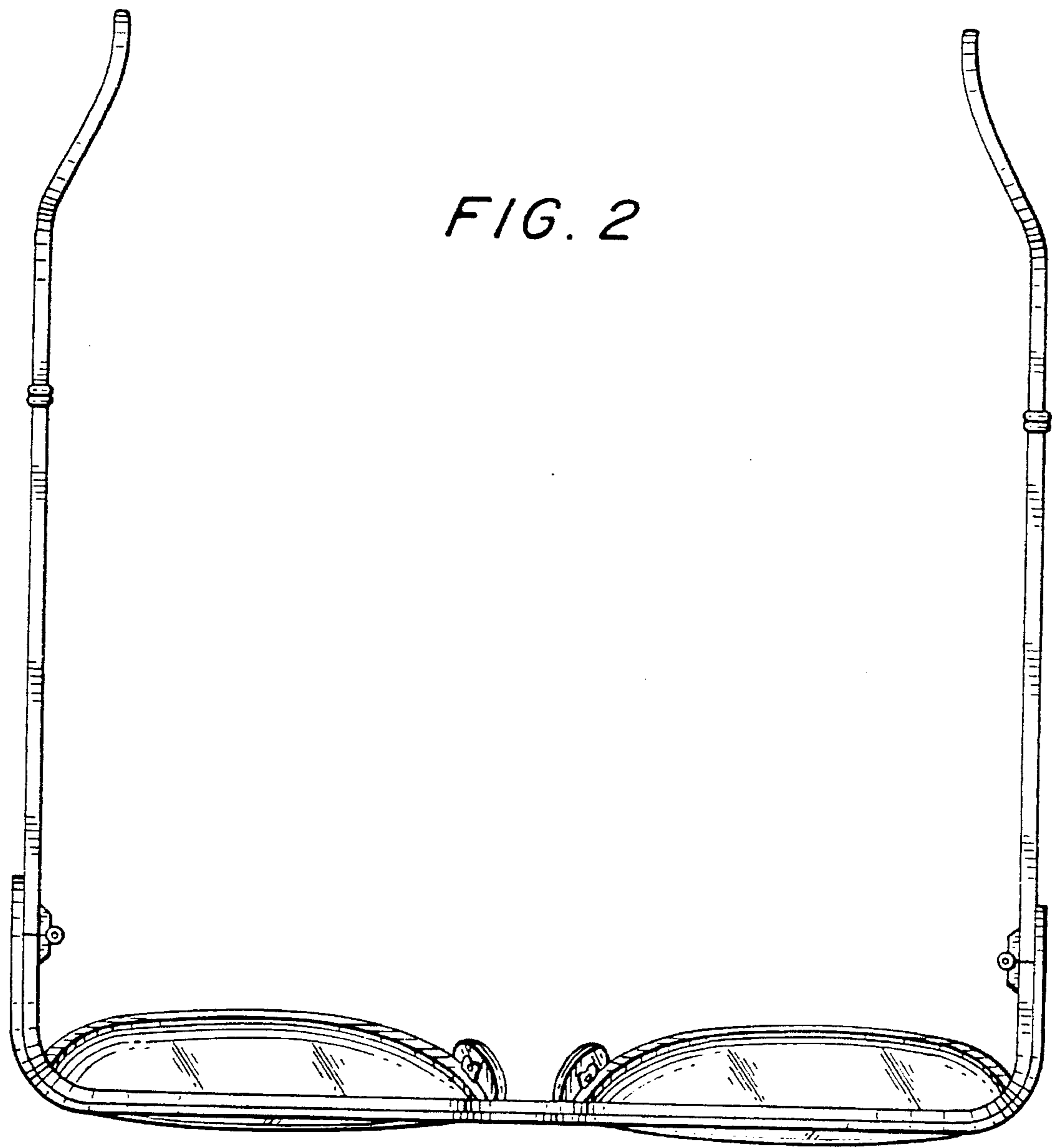
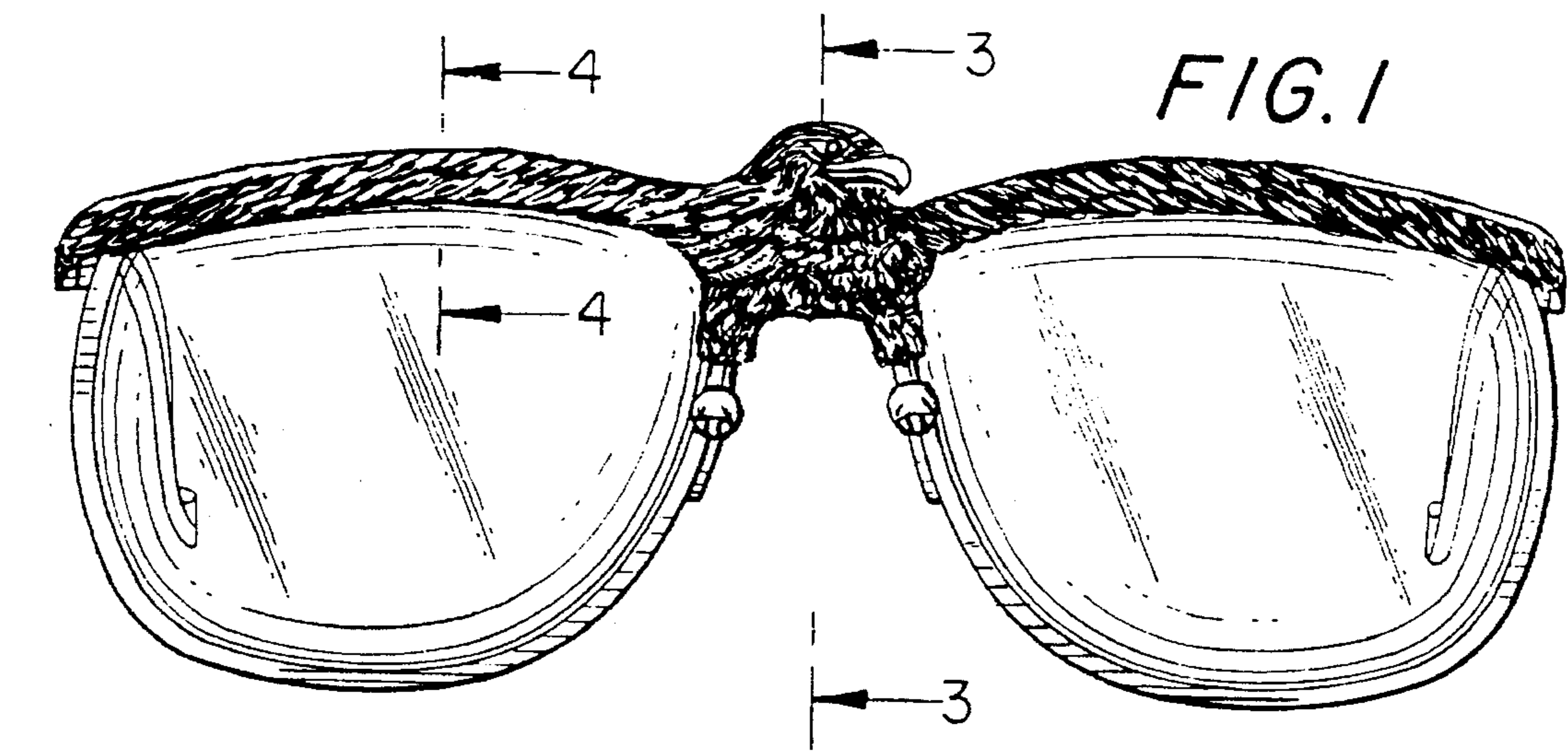


FIG. 3

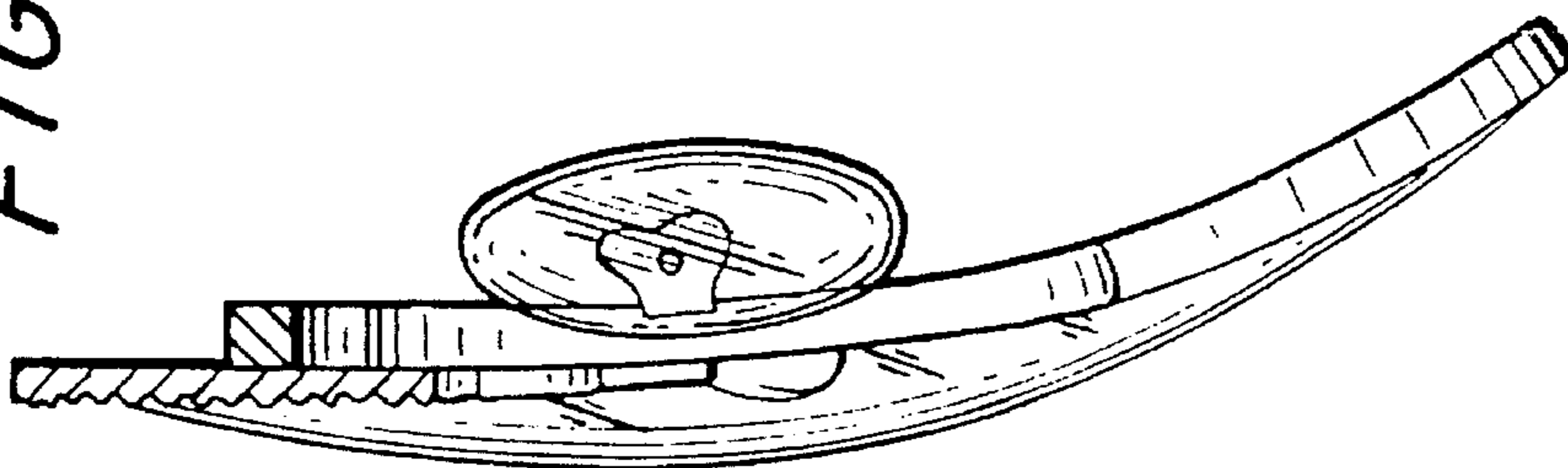


FIG. 4

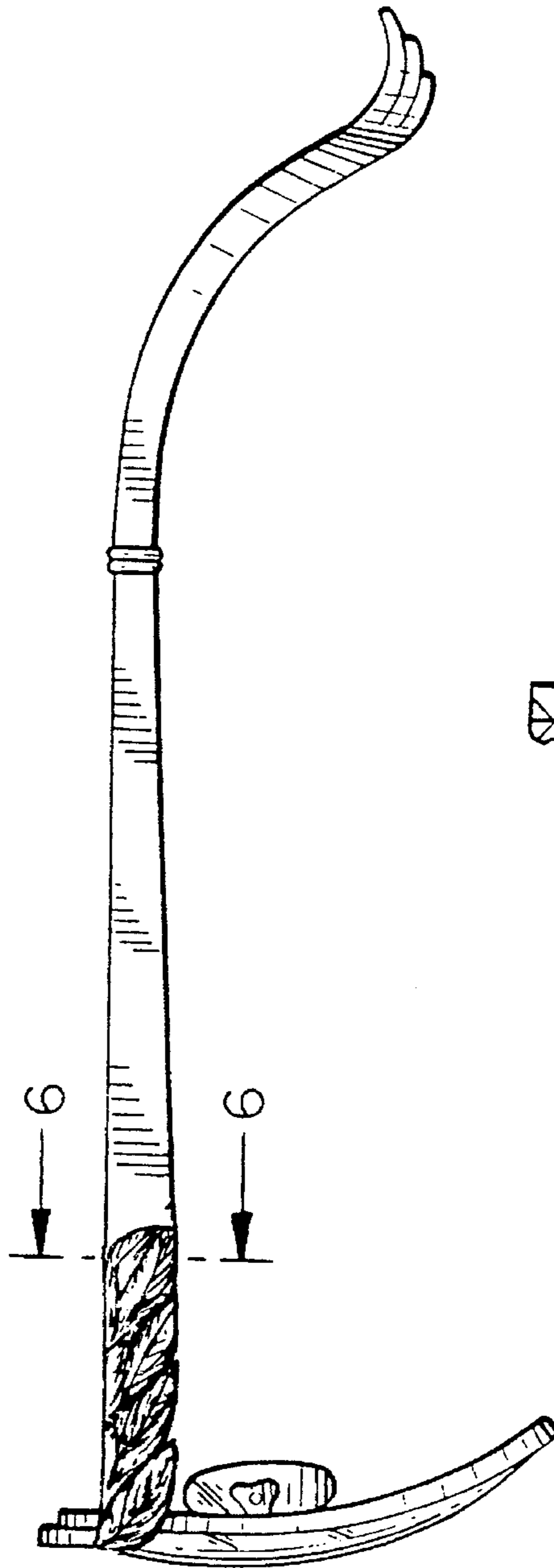


FIG. 5



FIG. 6

FIG. 7

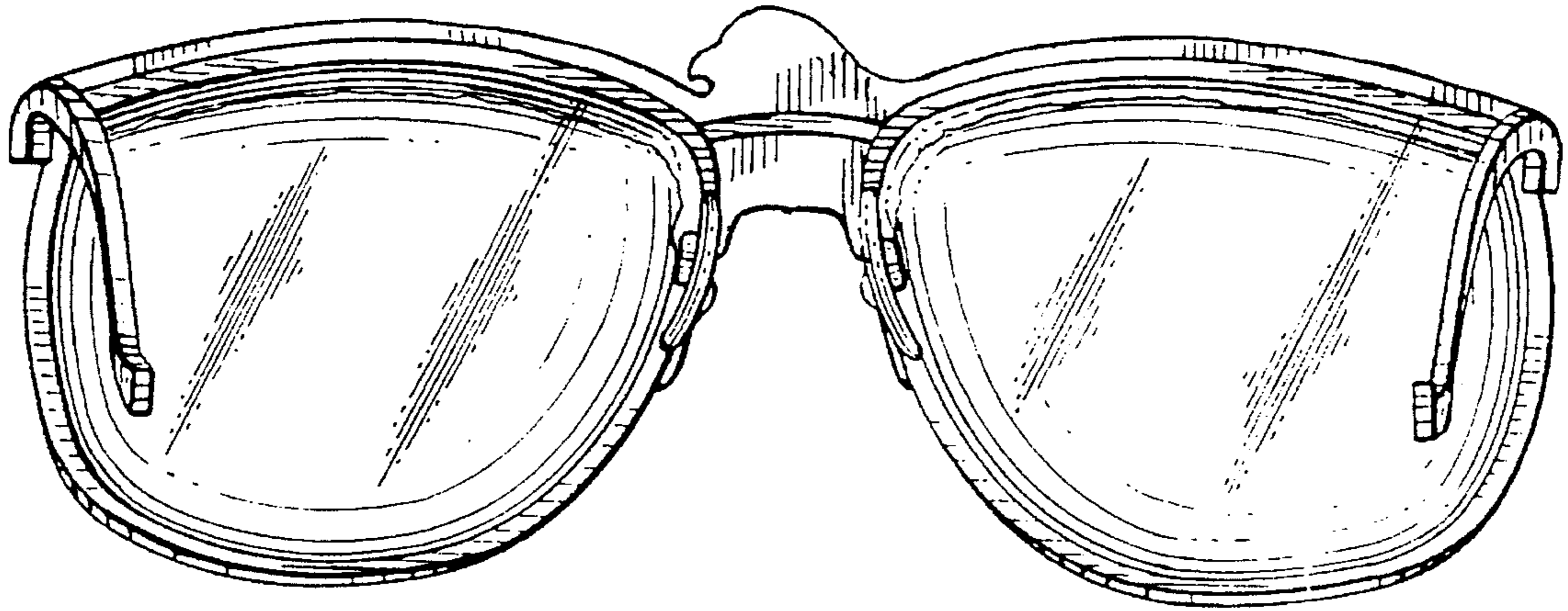


FIG. 8

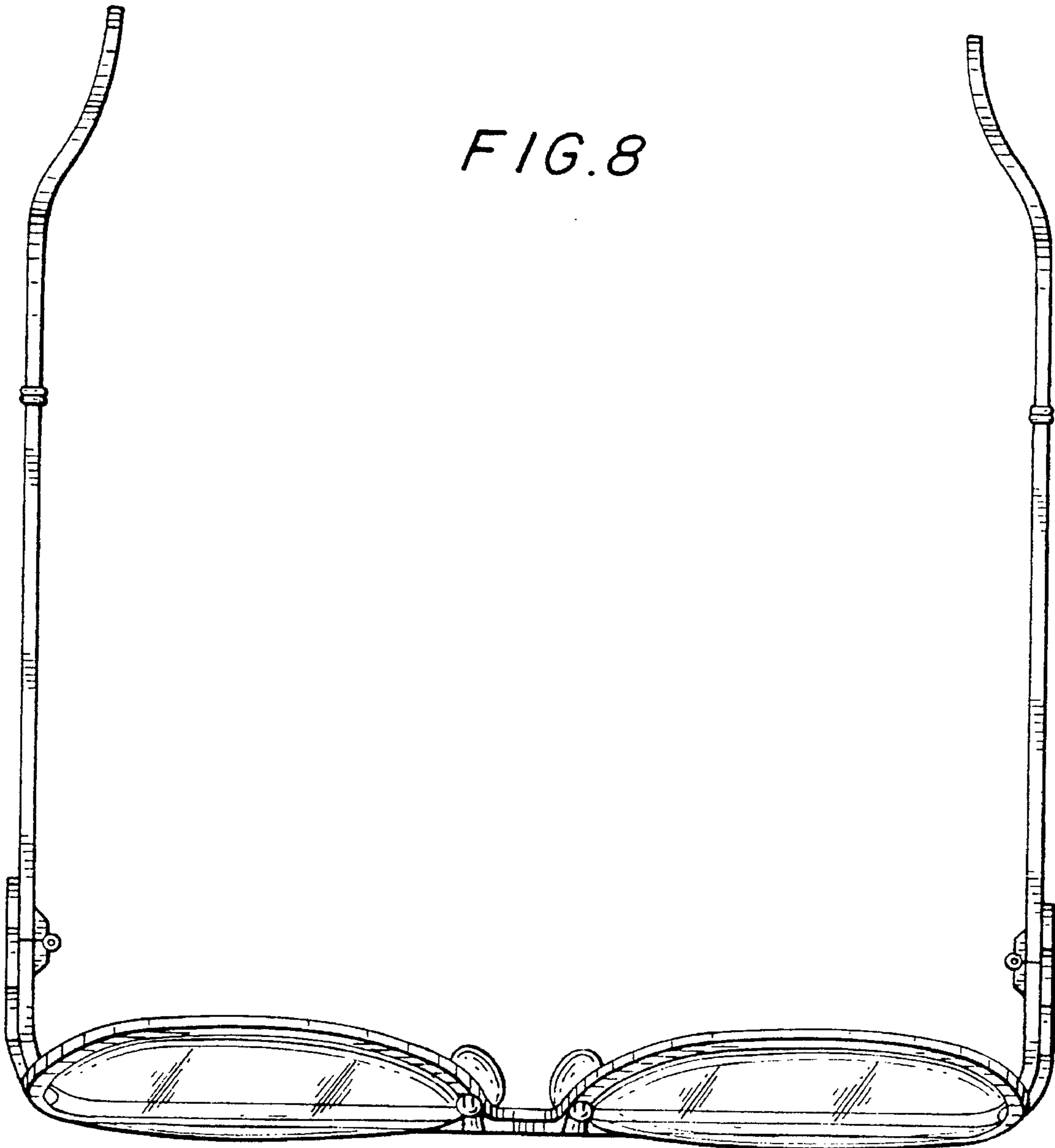


FIG. 9

