



US00D376167S

United States Patent [19] Hayamizu

[11] **Patent Number:** **Des. 376,167**
[45] **Date of Patent:** ****Dec. 3, 1996**

[54] **BINOCULARS**

[75] Inventor: **Eiji Hayamizu**, Tokyo, Japan
[73] Assignee: **Asahi Kogaku Kogyo Kabushiki Kaisha**, Tokyo, Japan
[**] Term: **14 Years**

[21] Appl. No.: **40,802**
[22] Filed: **Jun. 27, 1995**

[30] **Foreign Application Priority Data**

Dec. 28, 1994 [JP] Japan 6-40210

[52] **U.S. Cl.** **D16/133**

[58] **Field of Search** D16/132-133;
359/407-418, 480-482

[56] **References Cited**

U.S. PATENT DOCUMENTS

D. 243,761	3/1977	Huckenbeck	D16/133
D. 306,606	3/1990	Yamanaka et al.	D16/133
D. 311,748	10/1990	Kwon	D16/133
D. 338,027	8/1993	Ushiyama	D16/133
D. 359,973	7/1995	Hayamizu	D16/133
D. 364,631	11/1995	Hamamura	D16/133

OTHER PUBLICATIONS

Best General Merchandise Catalog, 1993/1994, See Item #4.
Pentax Brochure, See Model 8X 24UCF and 10X 24UCF.

Primary Examiner—James M. Gandy
Assistant Examiner—Stacia Sinuik
Attorney, Agent, or Firm—Sughrue, Mion, Zinn, Macpeak & Seas

[57] **CLAIM**

The ornamental design for binoculars, as shown and described.

DESCRIPTION

FIG. 1 is a perspective view of the rear, top and right side of binoculars showing my new design, it being understood that the left side is a mirror image thereof;
FIG. 2 is a rear elevational view thereof;
FIG. 3 is a top plan view thereof;
FIG. 4 is a right side elevational view thereof, it being understood that the left side is a mirror image thereof;
FIG. 5 is a front elevational view thereof; and,
FIG. 6 is a bottom plan view thereof.

1 Claim, 3 Drawing Sheets

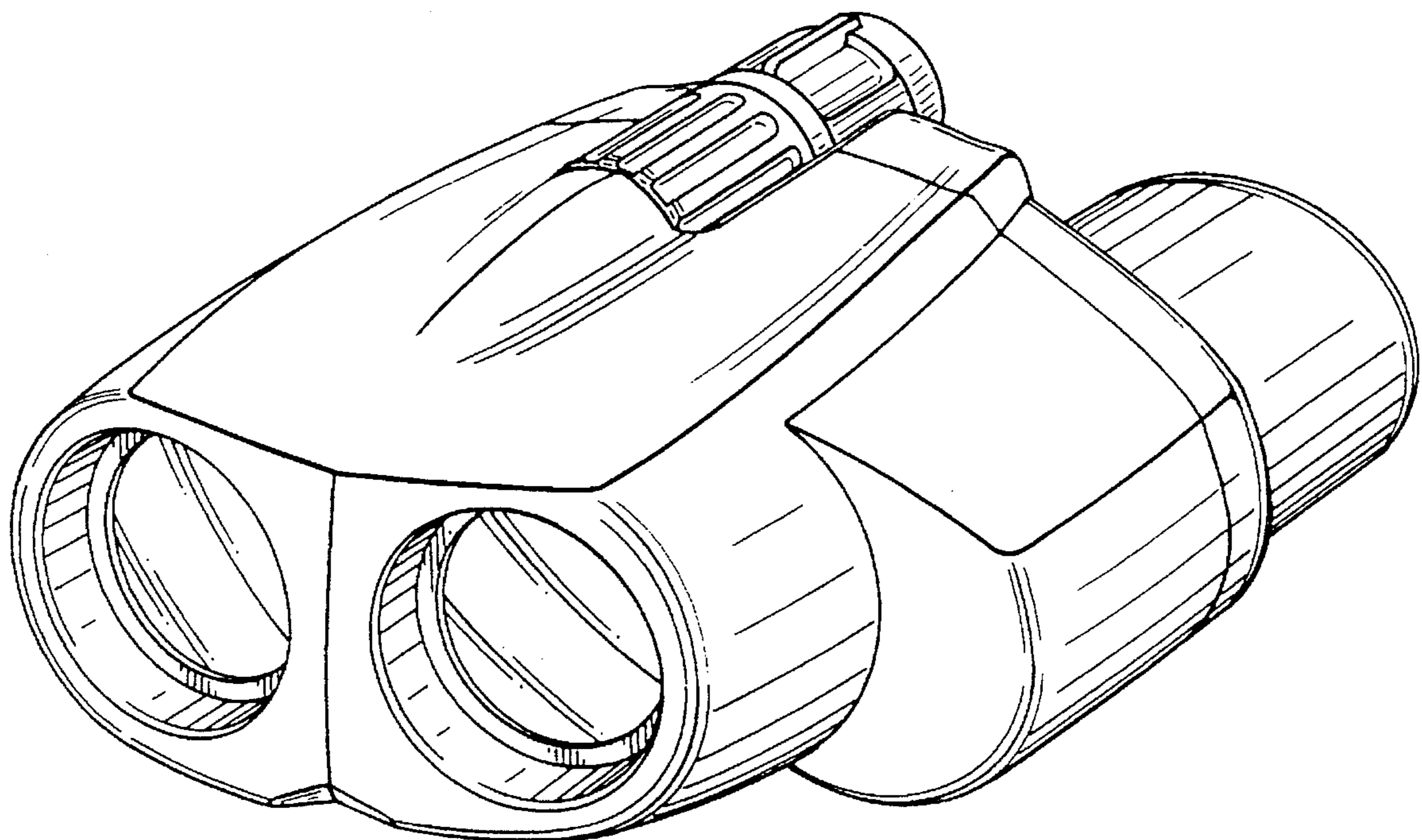


FIG. 1

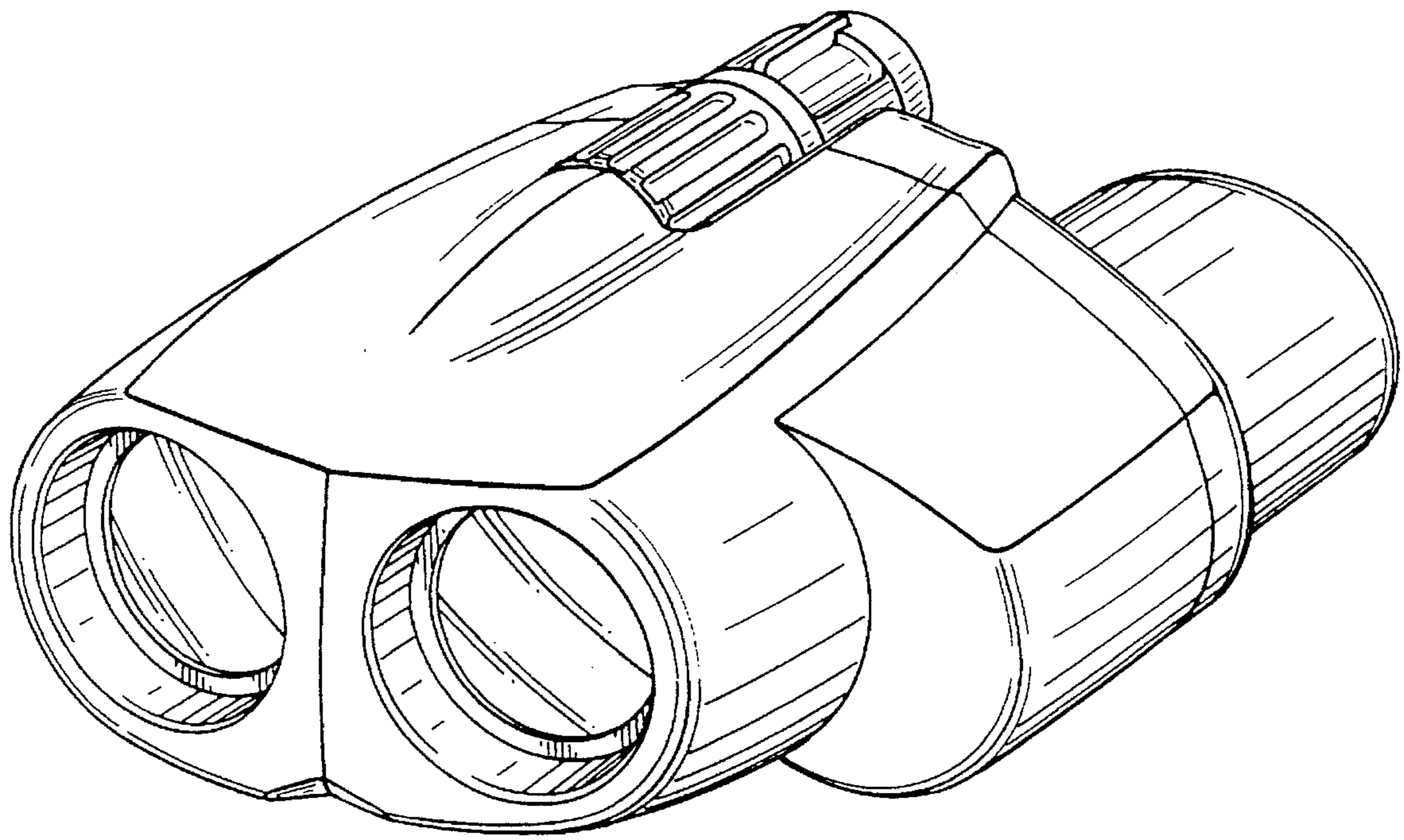


FIG. 2

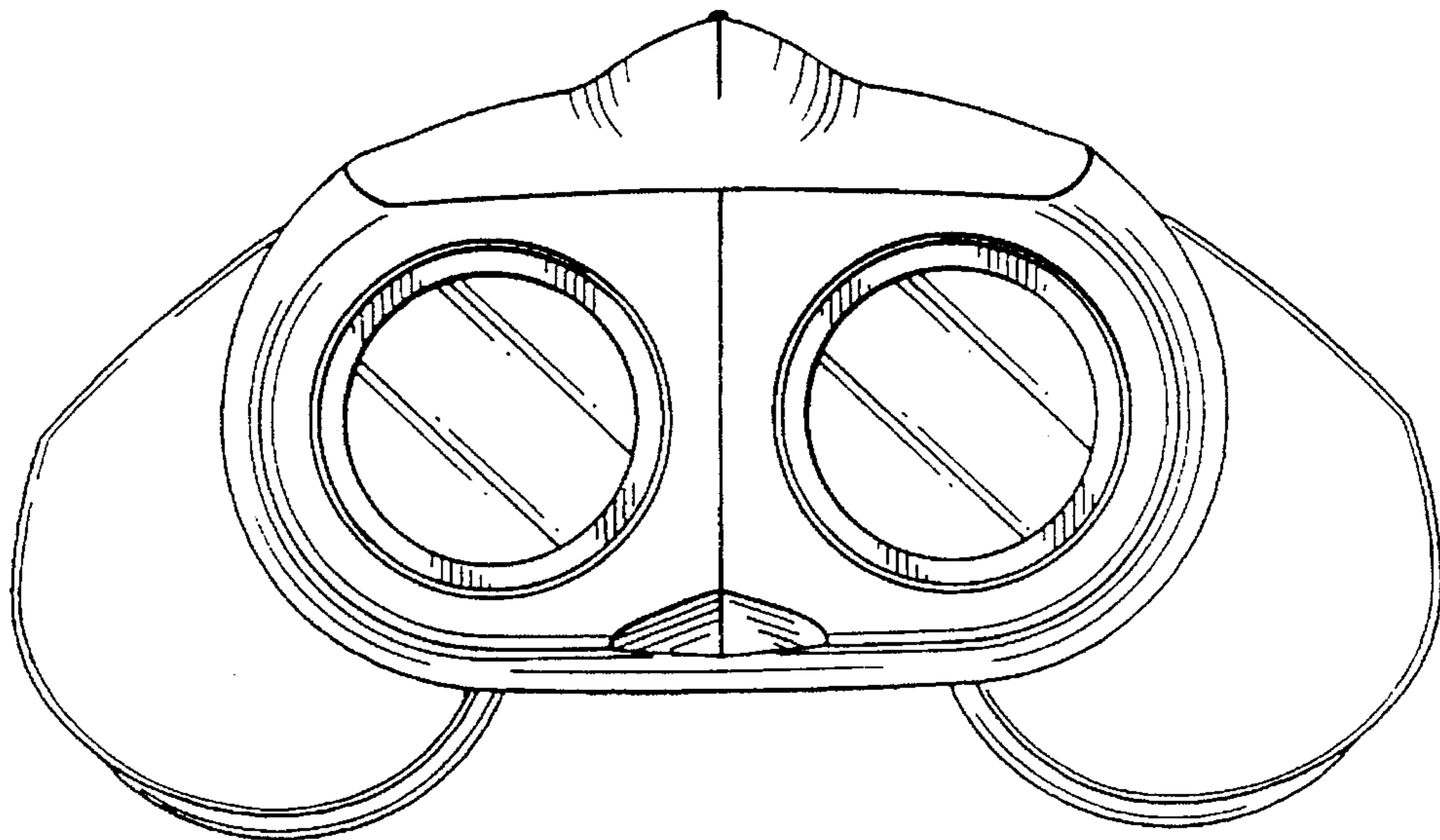


FIG. 3

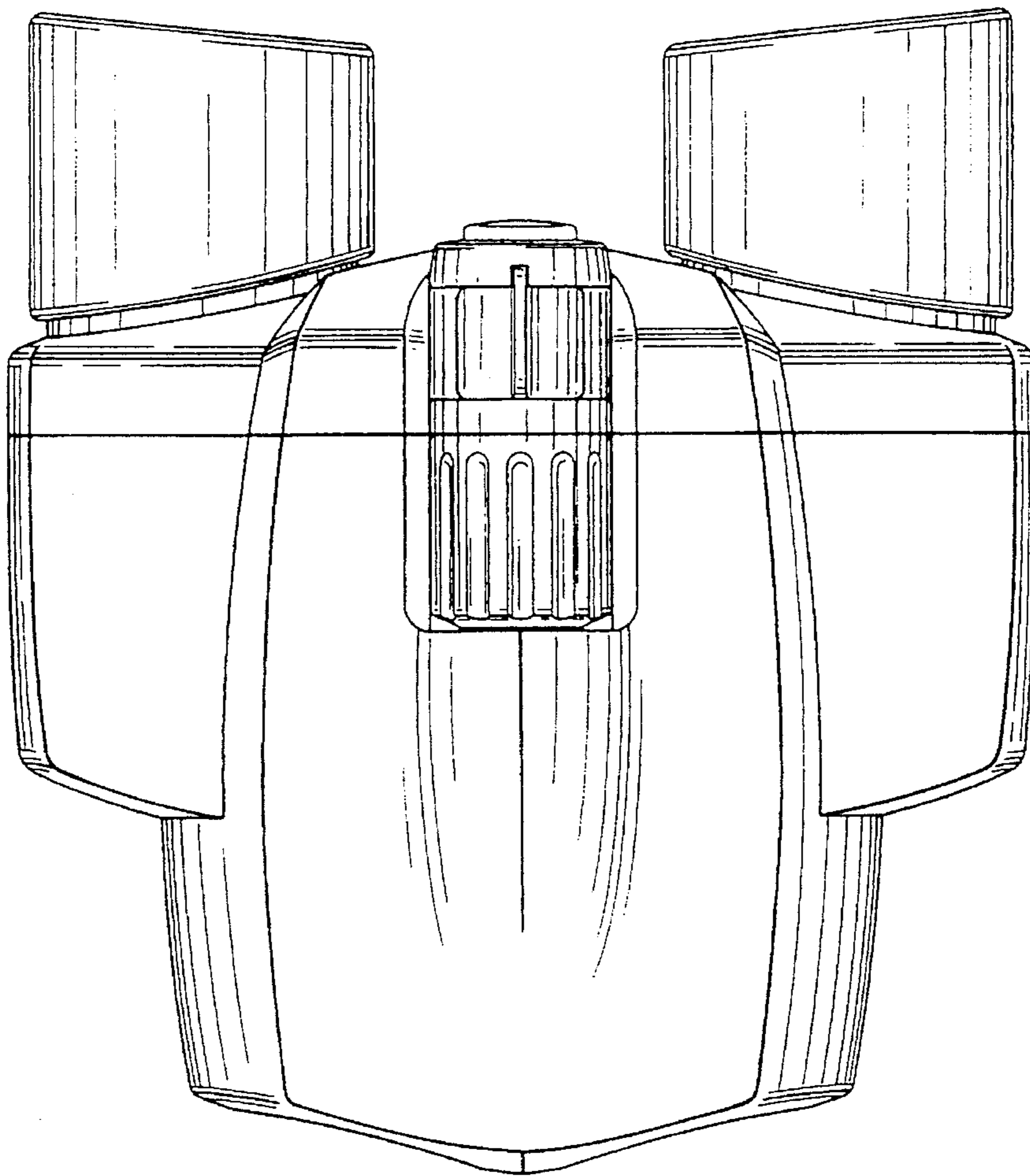


FIG. 4

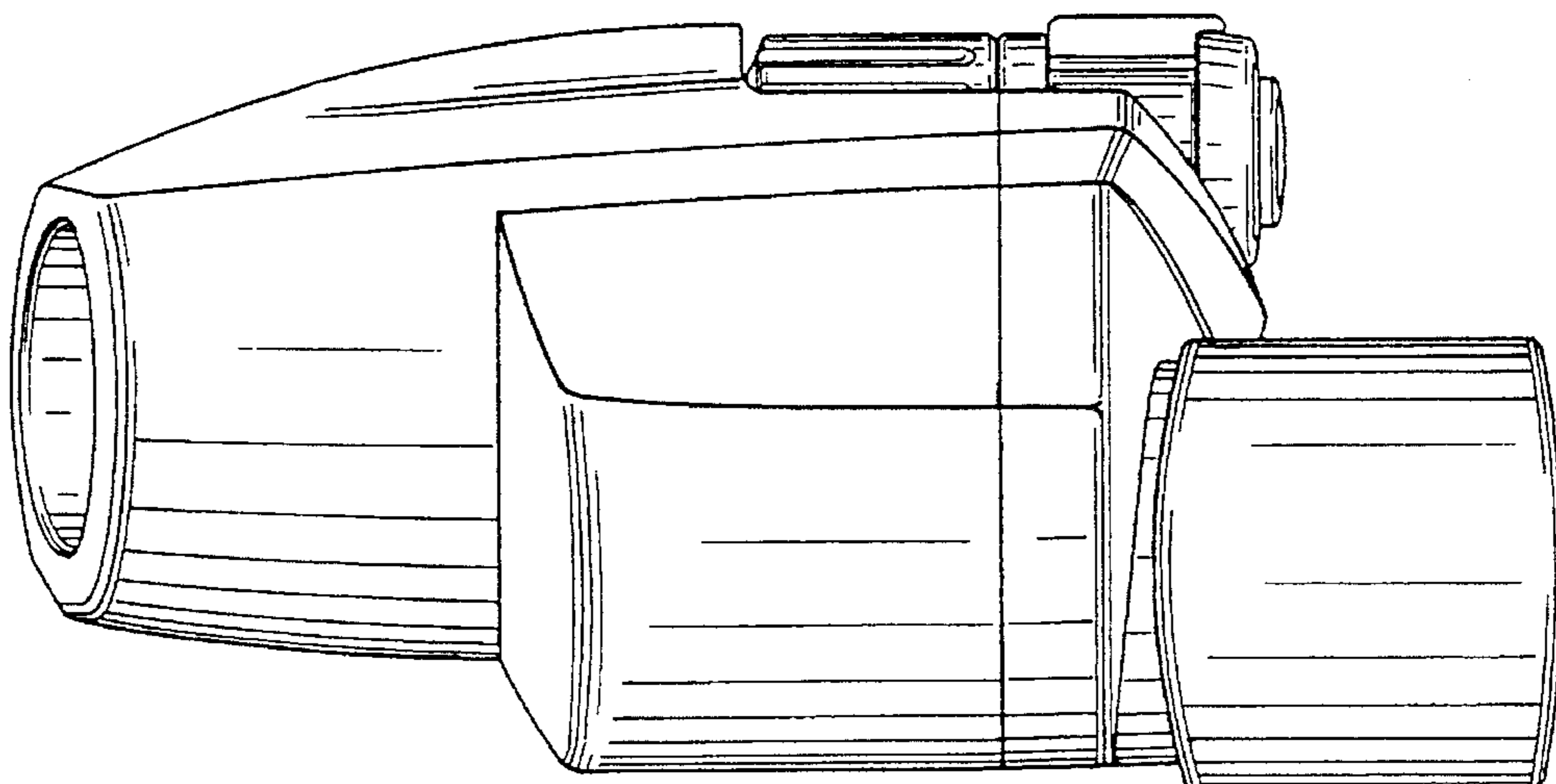


FIG. 5

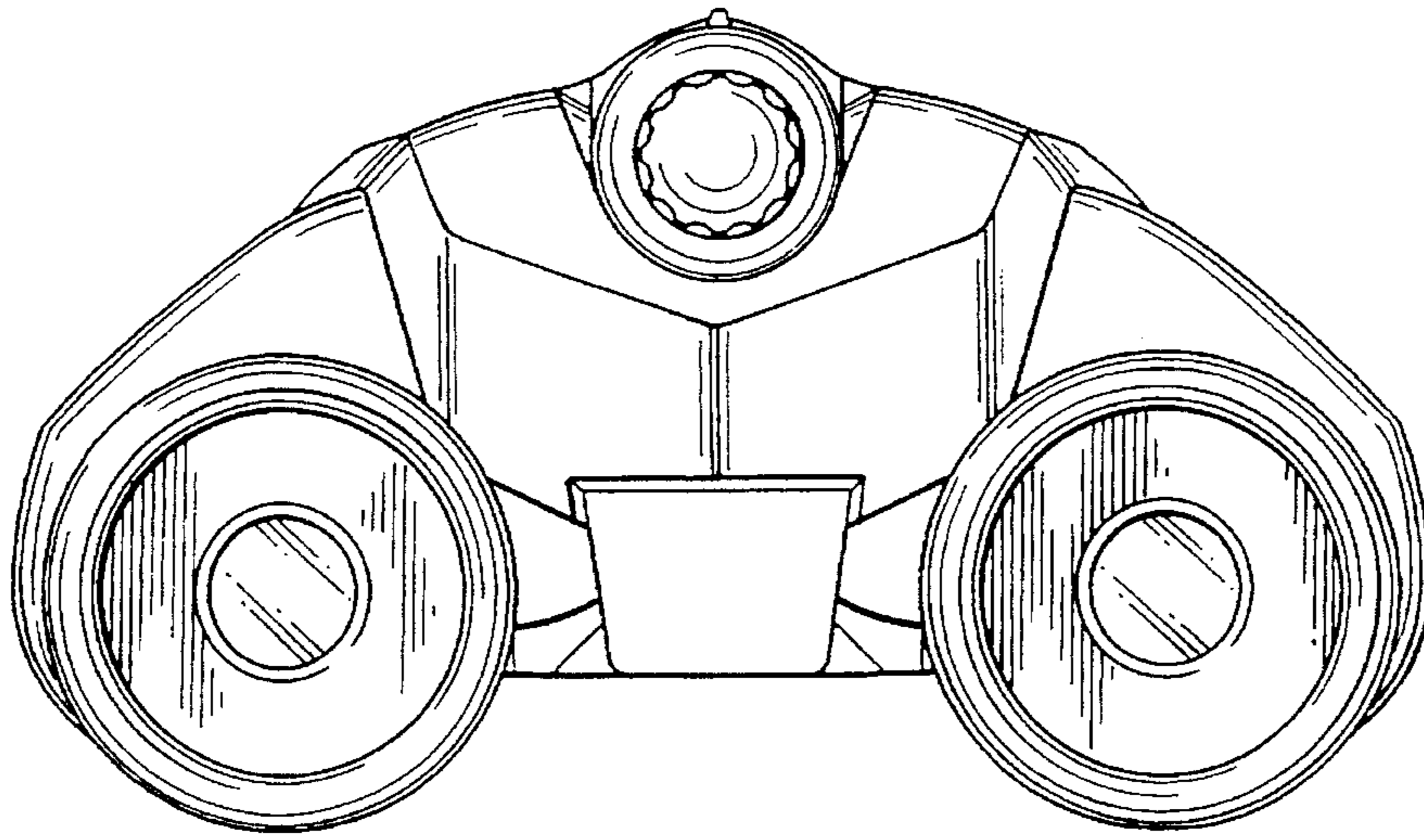


FIG. 6

