



US00D376166S

United States Patent [19]

[11] Patent Number: Des. 376,166

Ishii

[45] Date of Patent: **Dec. 3, 1996

[54] **COMBINED VIDEO TAPE RECORDER AND CAMERA**

[75] Inventor: **Daisuke Ishii**, Tokyo, Japan

[73] Assignee: **Sony Corporation**, Tokyo, Japan

[**] Term: **14 Years**

[21] Appl. No.: **36,344**

[22] Filed: **Mar. 16, 1995**

[52] U.S. Cl. **D16/202**

[58] Field of Search D16/200-208;
348/373-376; 354/82, 288; 358/906; H04N 2/225

[56] **References Cited**

U.S. PATENT DOCUMENTS

D. 335,500	5/1993	Mori et al.	D16/202
D. 355,664	2/1995	Kataoka	D16/202
D. 360,425	7/1995	Sato et al.	D16/202
5,305,030	4/1994	Yokoyama et al.	354/64

FOREIGN PATENT DOCUMENTS

4-84571	3/1992	Japan	H04N 5/225
---------	--------	-------------	------------

OTHER PUBLICATIONS

Video Magazine Jan. 1993 p. 2 (Canon's UCS-3).

Primary Examiner—Terry A. Wallace
Assistant Examiner—Adir Aronovich
Attorney, Agent, or Firm—Foley & Lardner

[57] **CLAIM**

The ornamental design for a combined video tape recorder and camera, as shown, and described.

DESCRIPTION

FIG. 1 is a top, front perspective view of a combined video tape recorder and camera showing my new design;

FIG. 2 is a top, rear perspective view thereof, the viewing screen shown in an extending away position;

FIG. 3 is a top plan view thereof;

FIG. 4 is a left side elevational view thereof;

FIG. 5 is a front elevational view thereof;

FIG. 6 is a bottom plan view thereof;

FIG. 7 is a right side elevational view thereof;

FIG. 8 is a rear elevational view thereof;

FIG. 9 is a top, front perspective view thereof, the cover being in an open position;

FIG. 10 is a top, rear perspective view thereof, the viewing screen shown in the first alternate position;

FIG. 11 is a top, rear perspective view thereof, the viewing screen shown in the second alternate position; and,

FIG. 12 is a top, rear perspective view thereof, the viewing screen shown in the third alternate position.

1 Claim, 6 Drawing Sheets

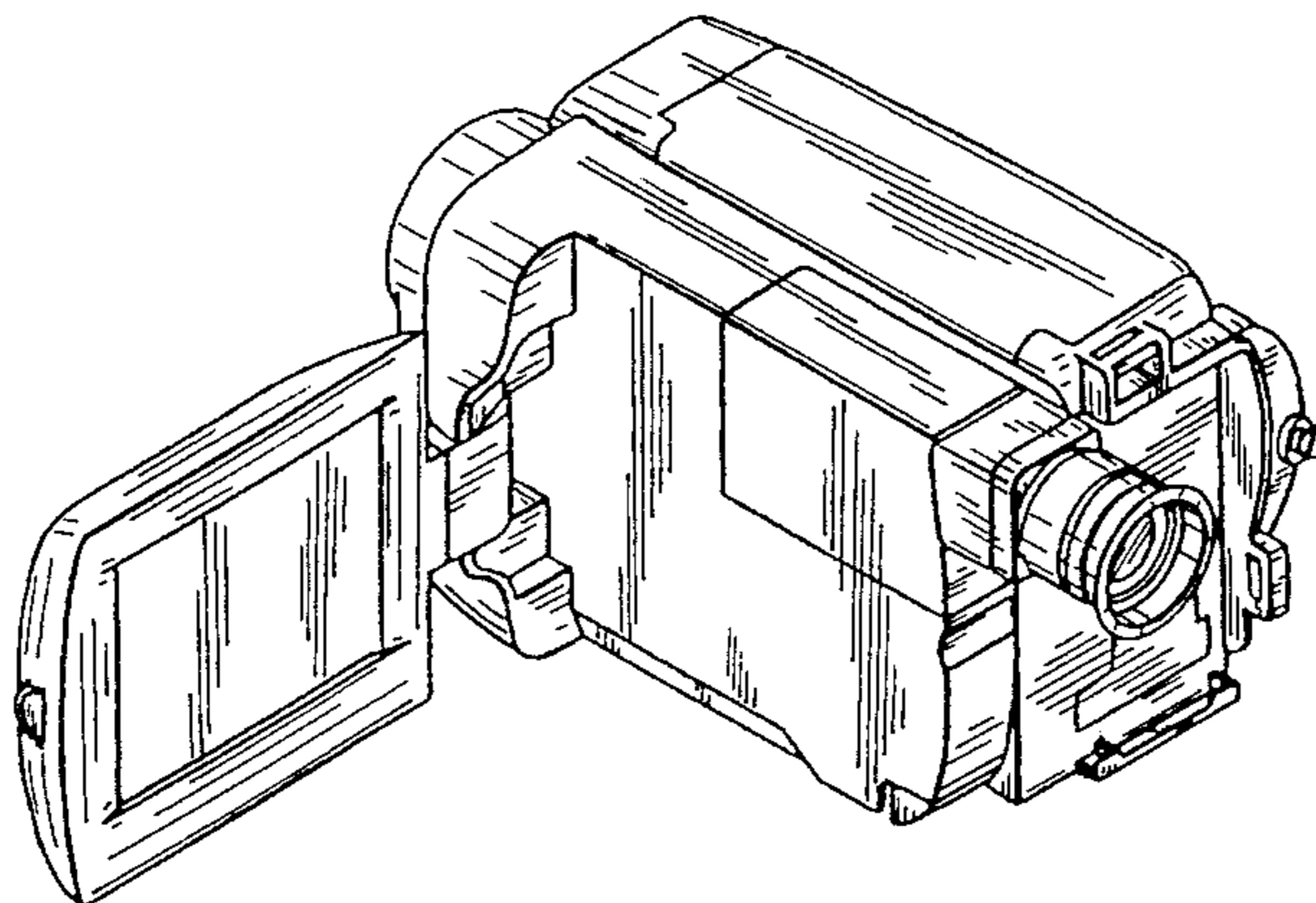
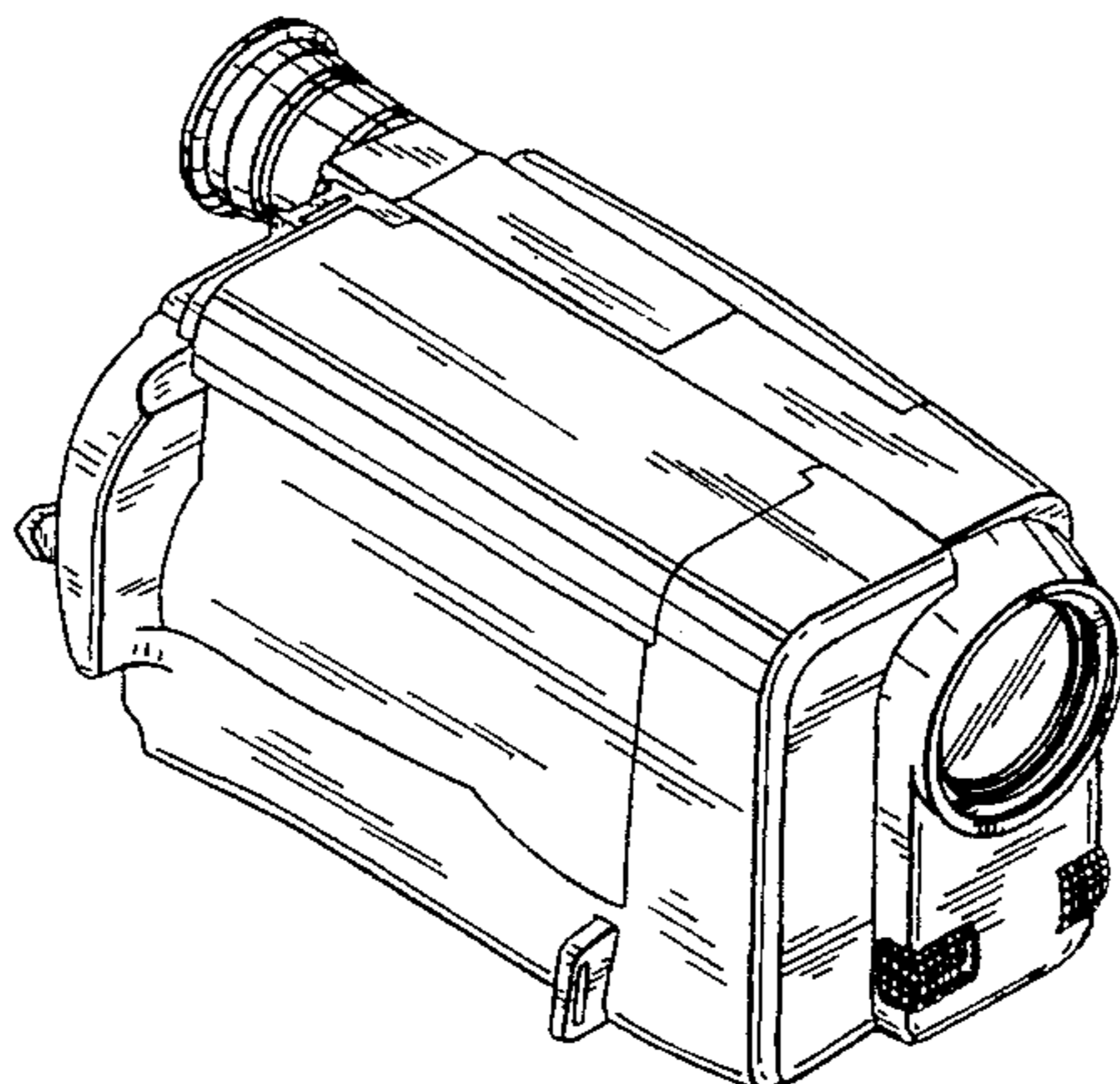


FIG. 1

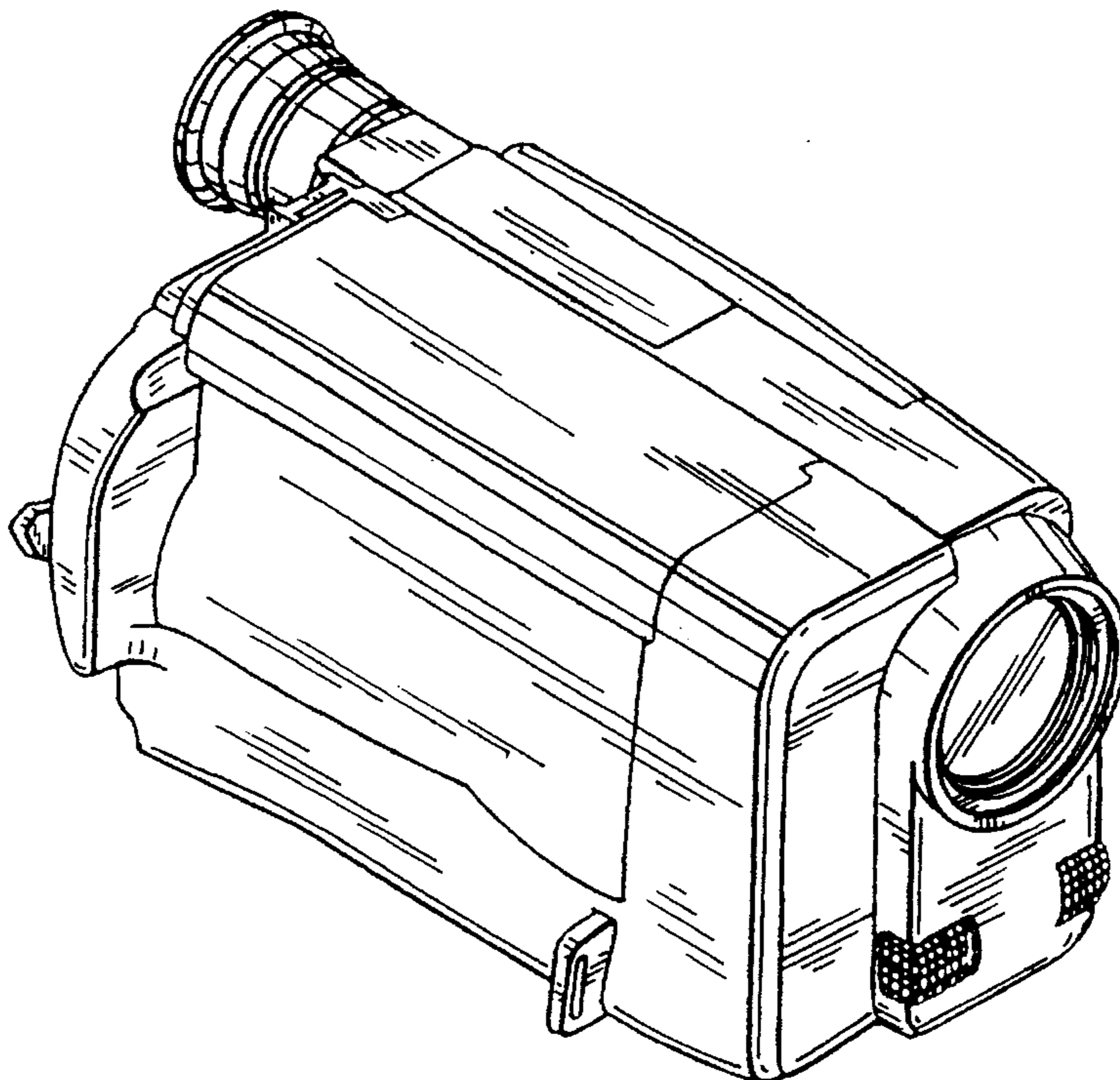


FIG. 2

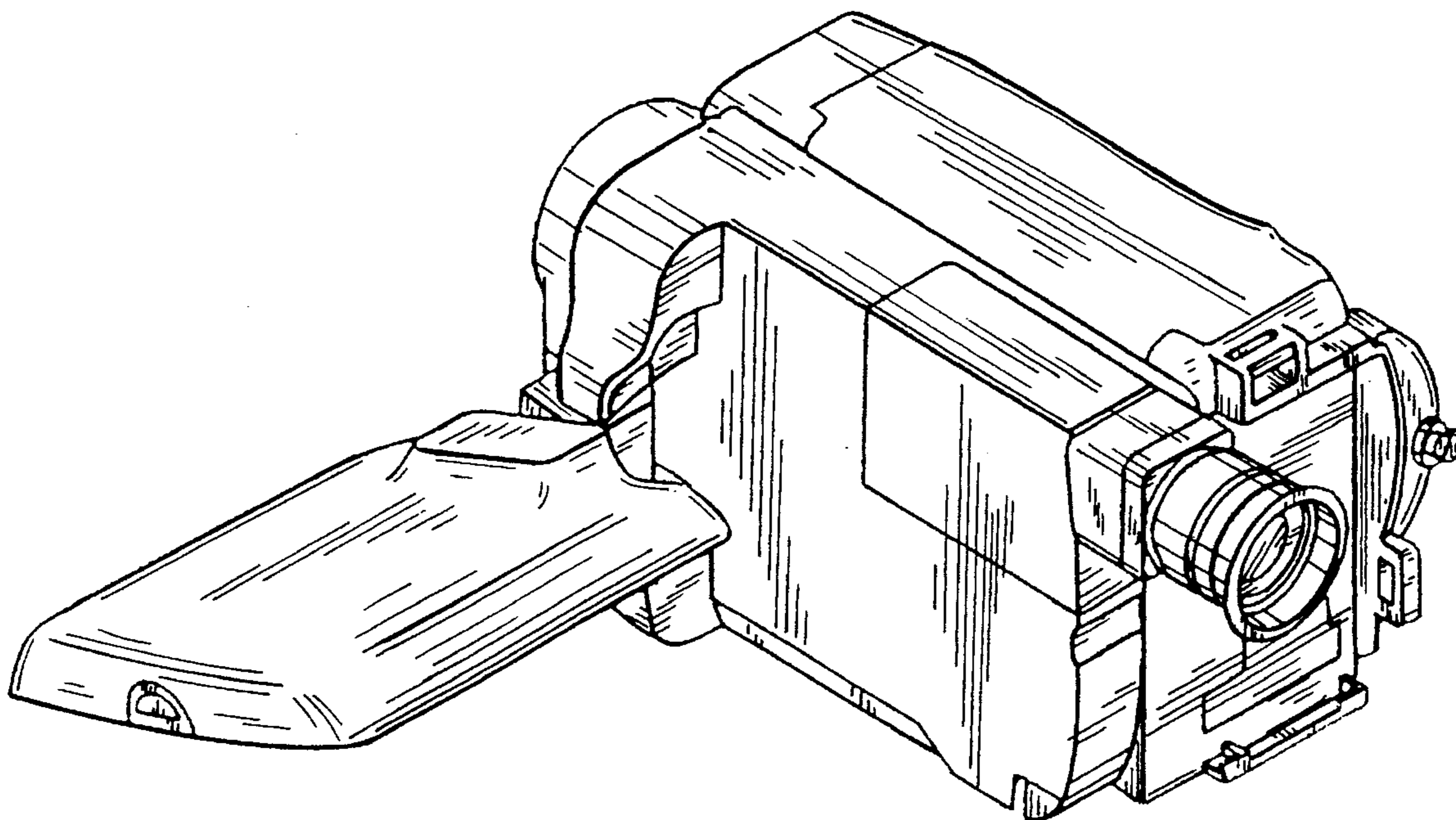


FIG. 3

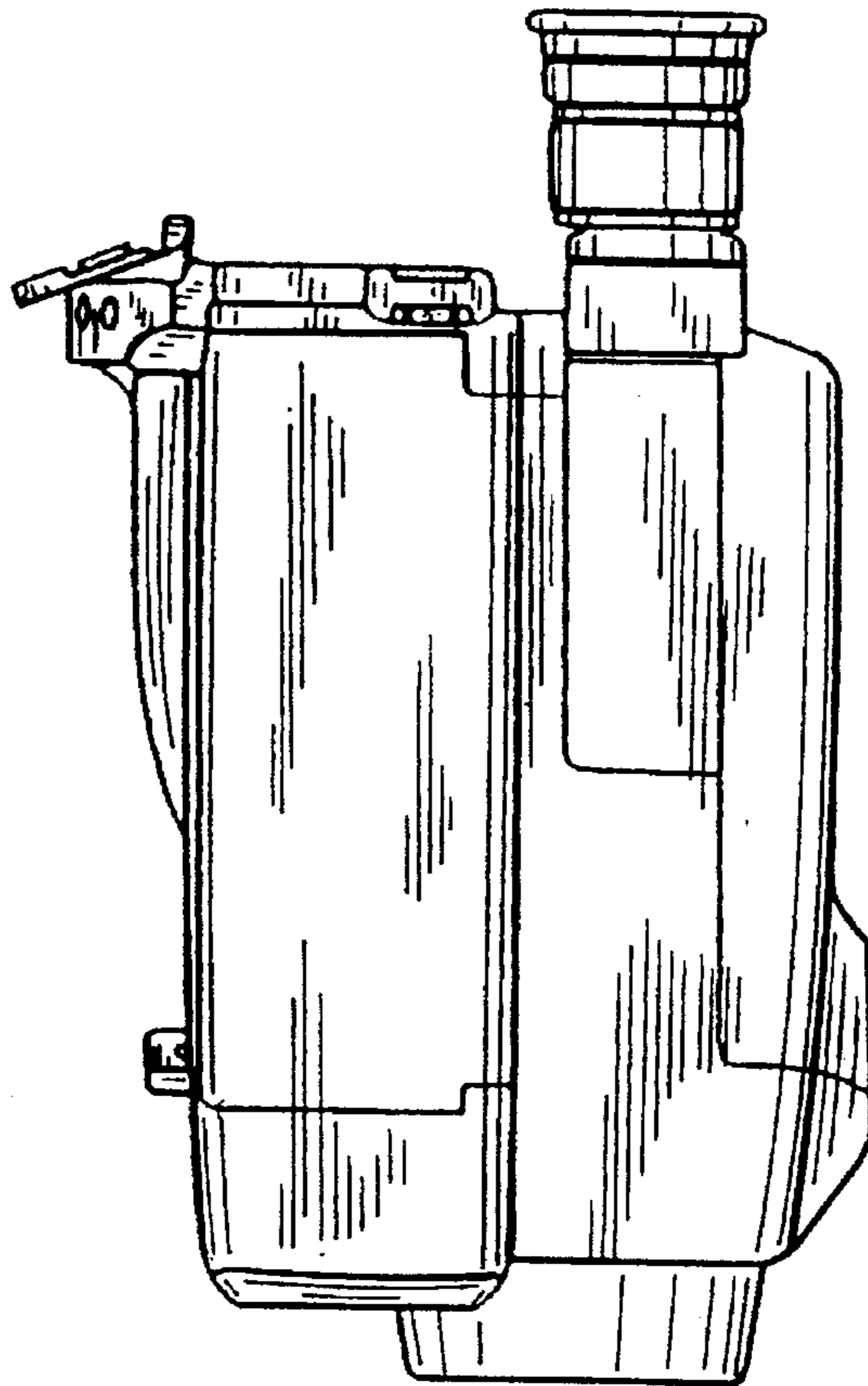


FIG. 4

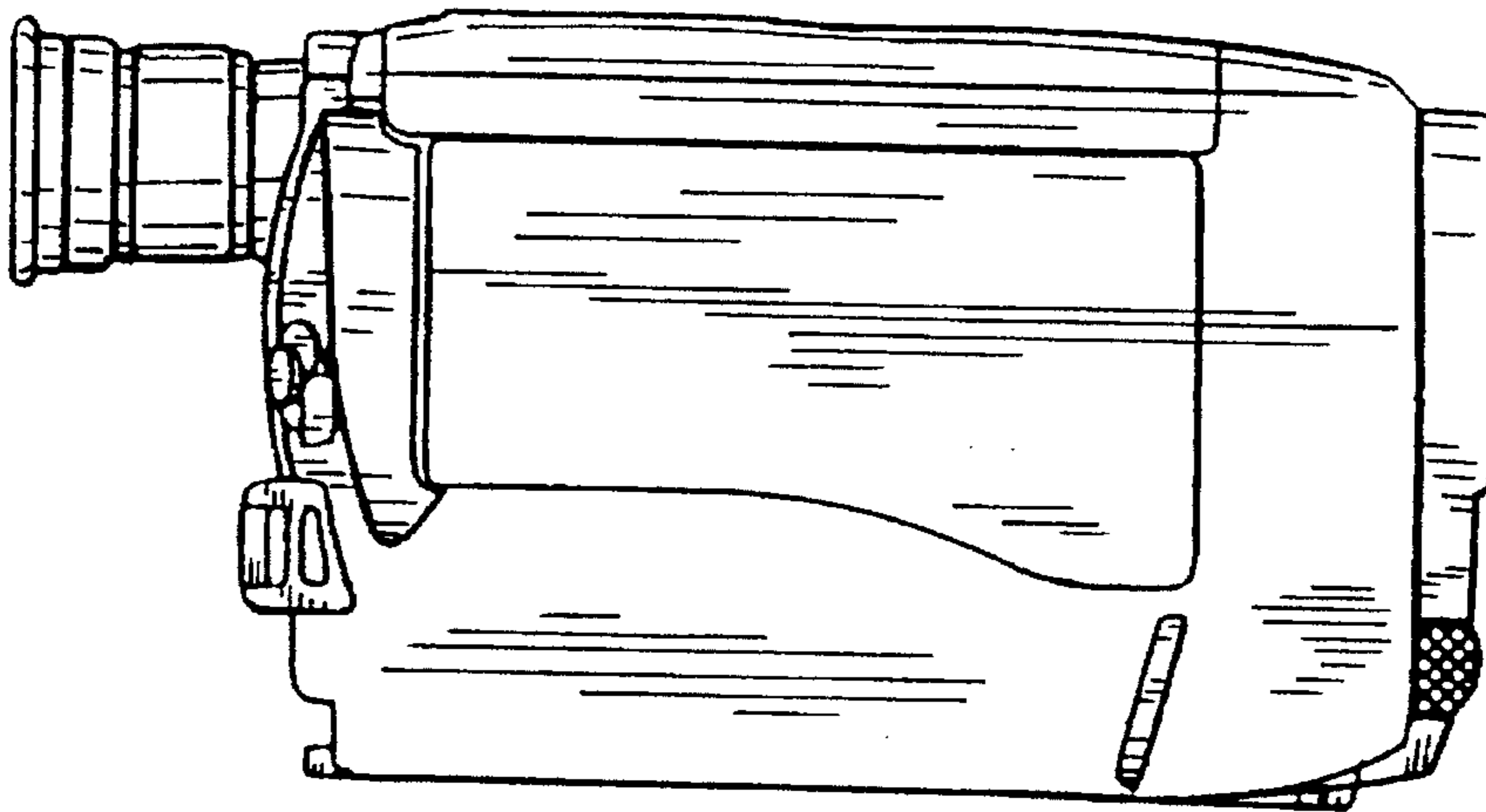


FIG. 5

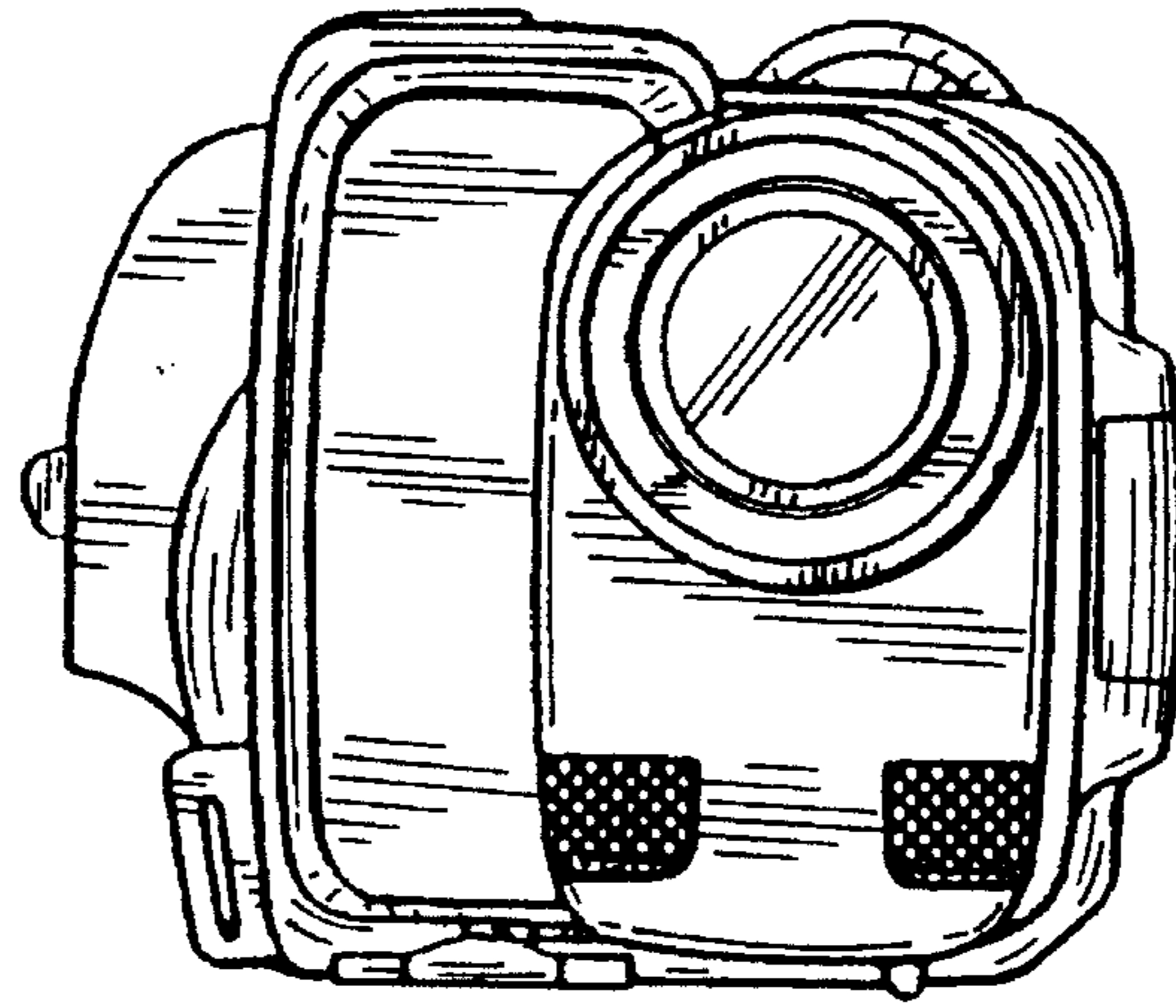


FIG. 6

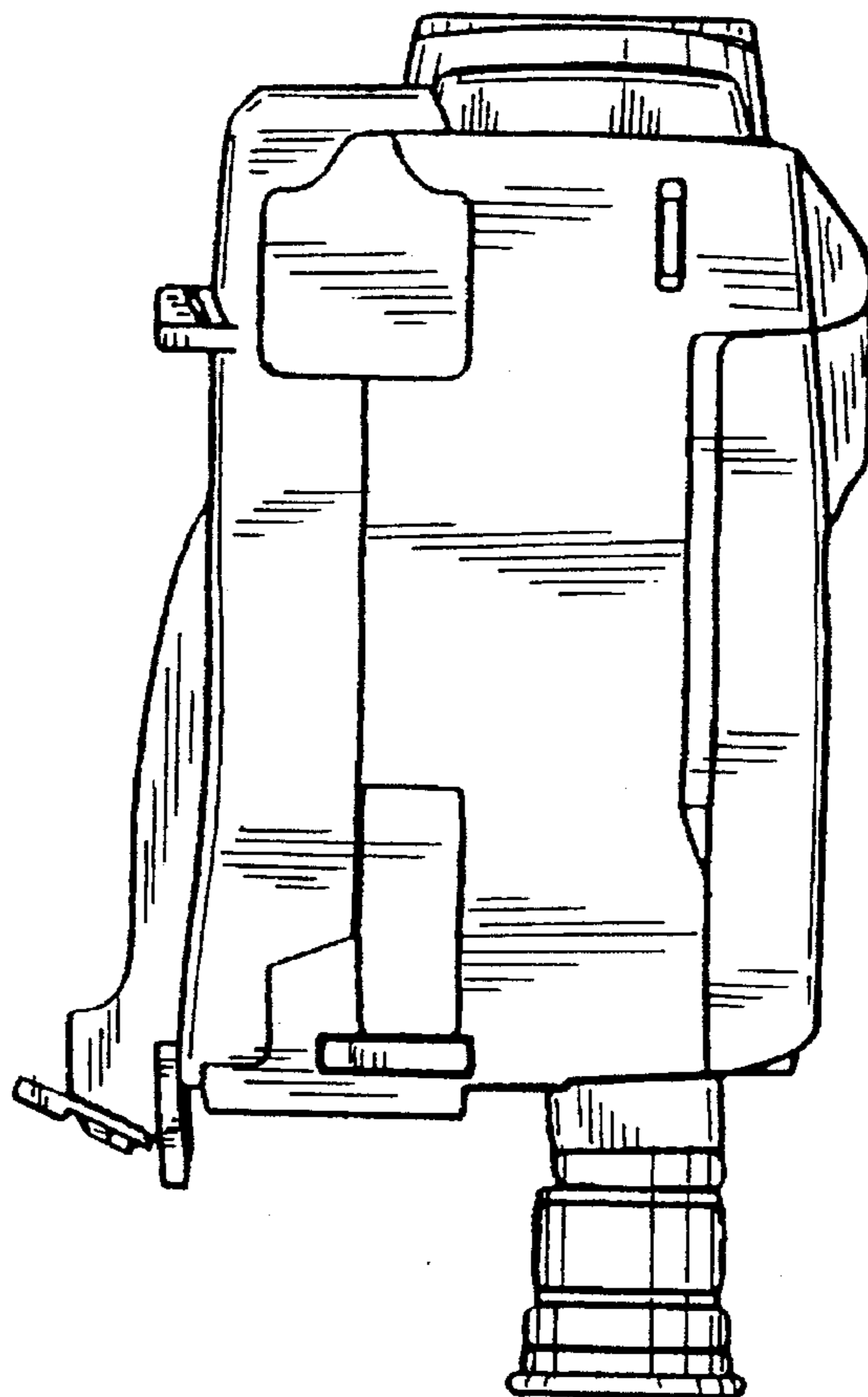


FIG. 7

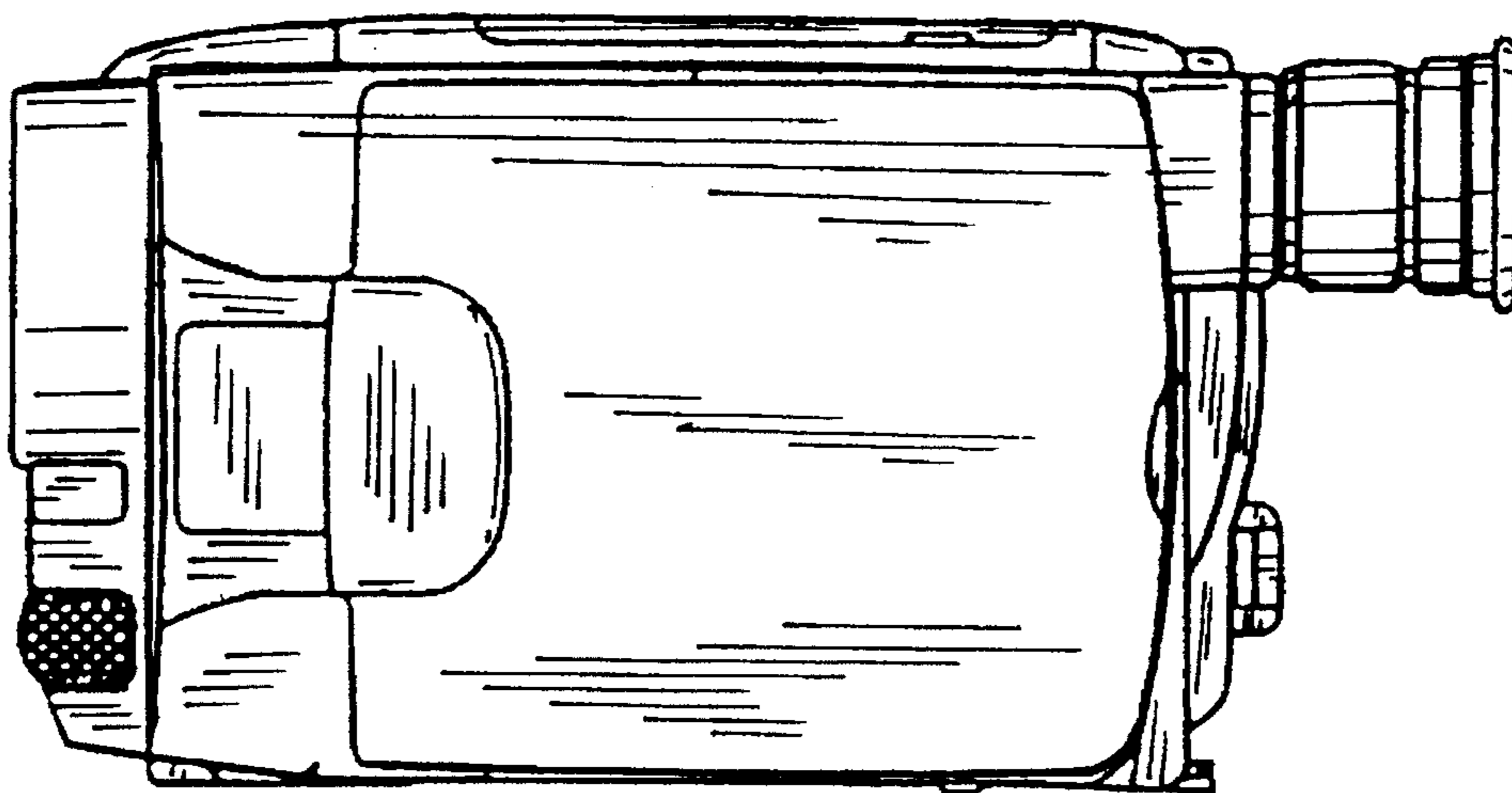


FIG. 8

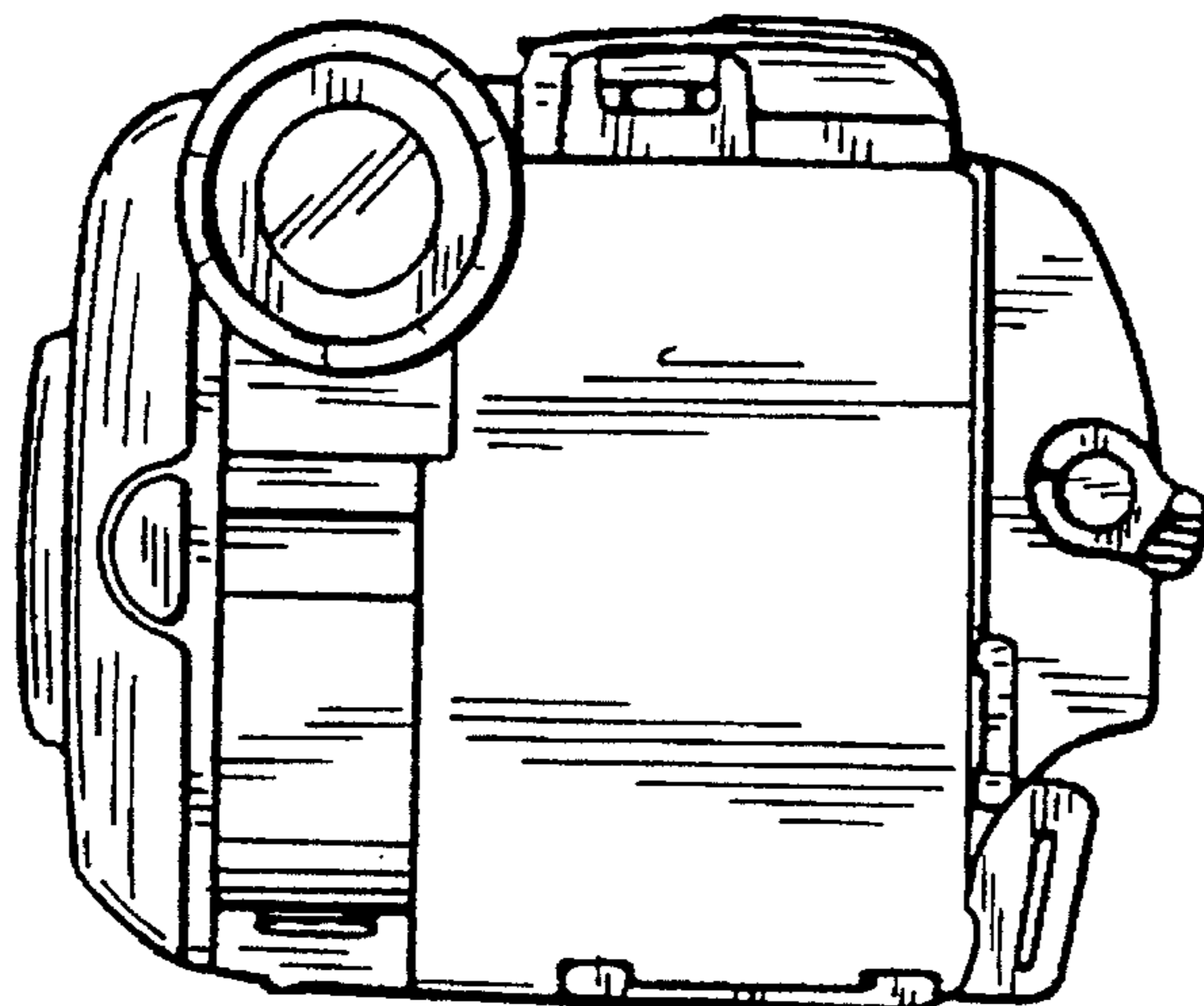


FIG. 9

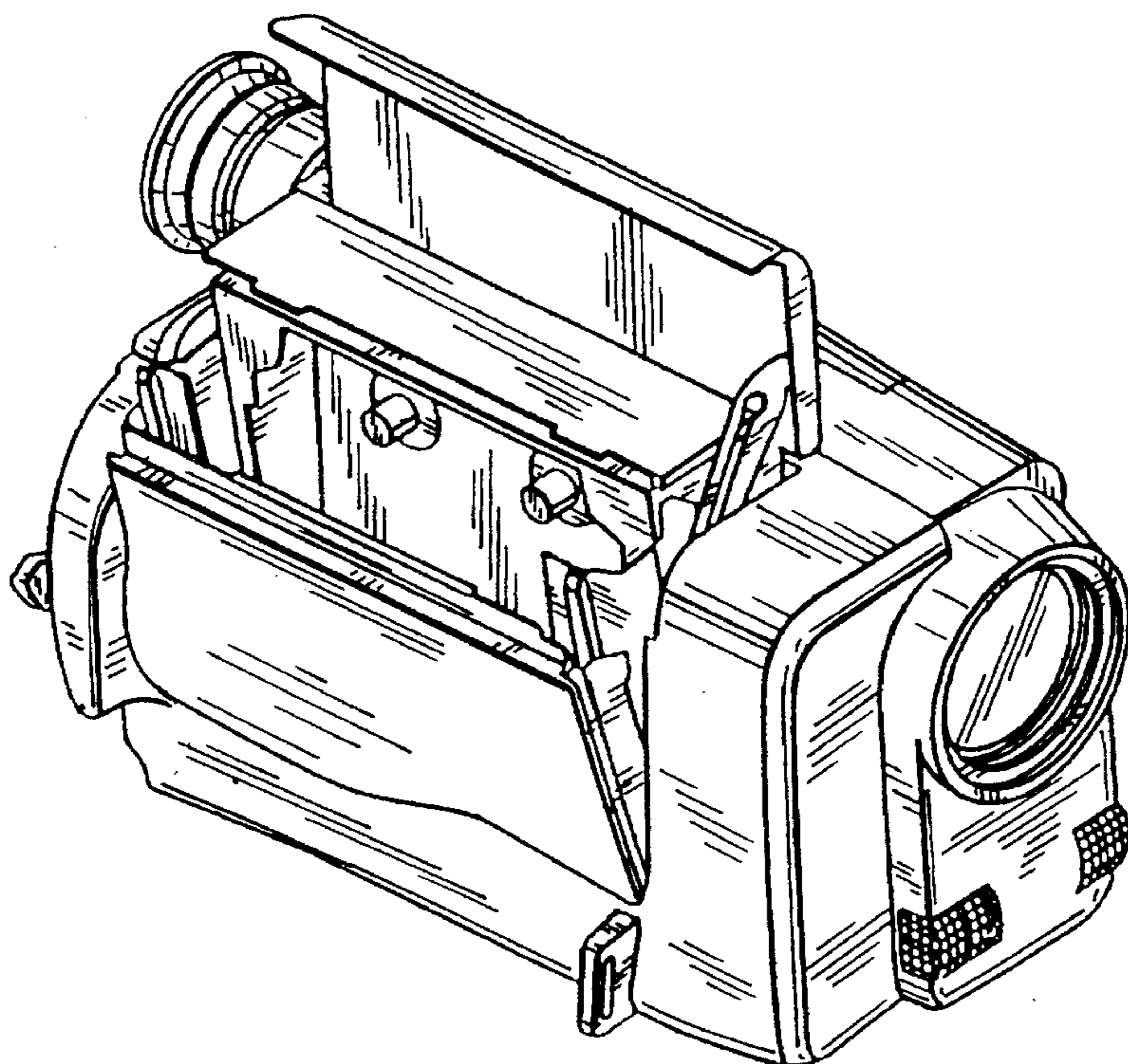


FIG. 10

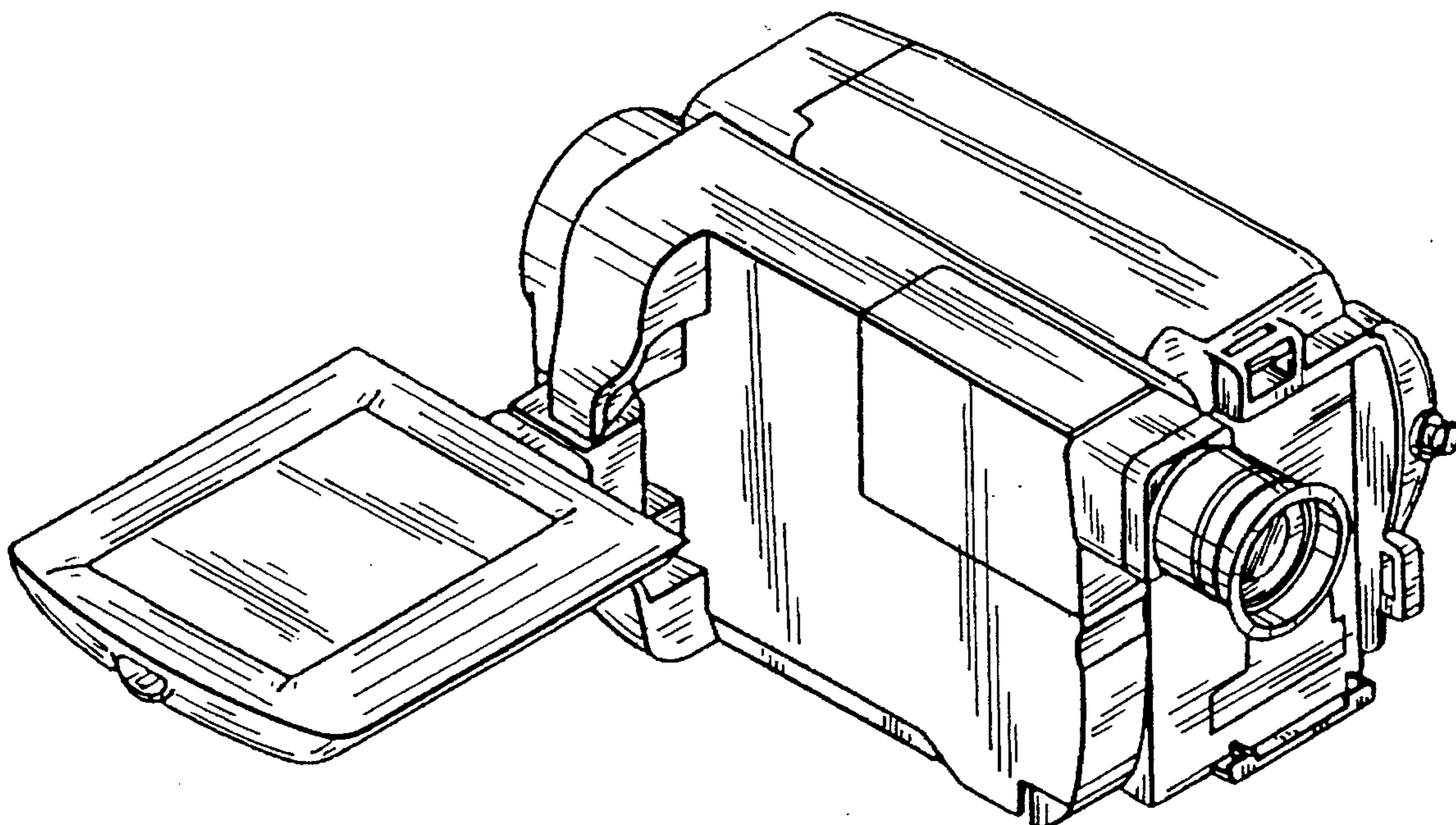


FIG. 11

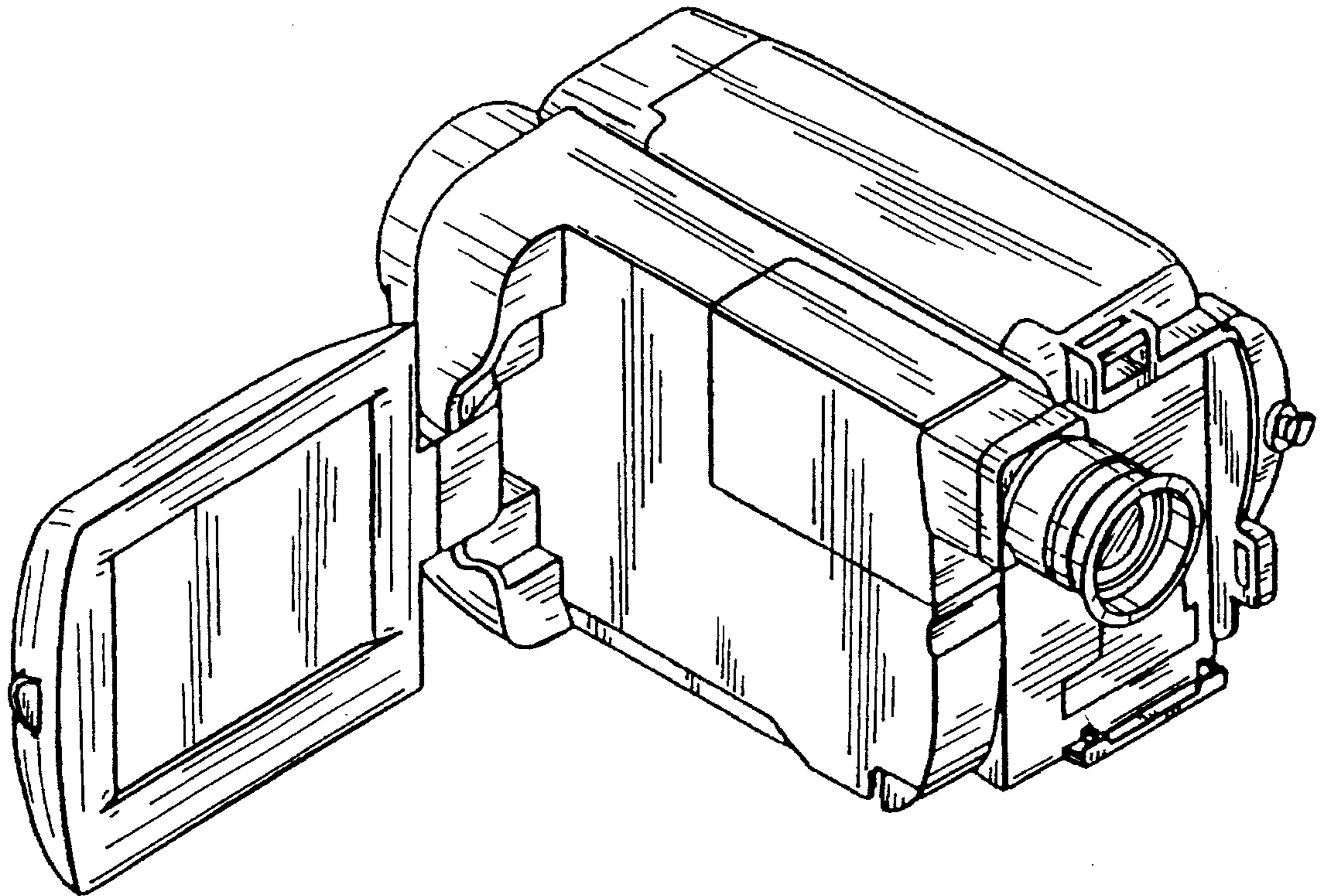


FIG. 12

