



US00D376165S

United States Patent [19] Takahashi

[11] **Patent Number:** **Des. 376,165**
[45] **Date of Patent:** ****Dec. 3, 1996**

[54] BINOCULARS

[75] Inventor: **Akio Takahashi**, Tokyo, Japan
[73] Assignee: **Asahi Kogaku Kogyo Kabushiki Kaisha**, Tokyo, Japan
[**] Term: **14 Years**

[21] Appl. No.: **40,803**
[22] Filed: **Jun. 27, 1995**

[30] Foreign Application Priority Data

Dec. 28, 1994 [JP] Japan 6-40209
[52] U.S. Cl. **D16/133**
[58] Field of Search D16/132, 133;
359/407-418, 480-482

[56] References Cited

U.S. PATENT DOCUMENTS

D. 306,869 3/1990 Takahashi D16/133
D. 313,029 12/1990 Lee D16/133
D. 326,862 6/1992 Rosenfield D16/133
D. 356,586 3/1995 Takahashi D16/133
D. 359,972 7/1995 Takahashi D16/133
5,062,698 11/1991 Funathu 359/414

FOREIGN PATENT DOCUMENTS

1210583 2/1966 Germany 359/413

OTHER PUBLICATIONS

Orion Telescope Center Brochure, Winter 1993, p. 71, See Items #9306, #9304, and #9302.
The Sportsman's Guide, 1993, p. 44, See Item # A4-8933.
Orion Telescope Center Brochure, Fall 1992, pp. 28 and 29, See Items #9614 and #9610.

Primary Examiner—James M. Gandy
Assistant Examiner—Stacia Sinuik
Attorney, Agent, or Firm—Sughrue, Mion, Zinn, Macpeak & Seas

[57] CLAIM

The ornamental design for binoculars, as shown.

DESCRIPTION

FIG. 1 is a perspective view of the rear, top and right side of binoculars showing my new design;
FIG. 2 is a rear elevational view thereof;
FIG. 3 is a right side elevational view thereof;
FIG. 4 is a left side elevational view thereof;
FIG. 5 is a front elevational view thereof;
FIG. 6 is a top plan view thereof; and,
FIG. 7 is a bottom plan view thereof.

1 Claim, 3 Drawing Sheets

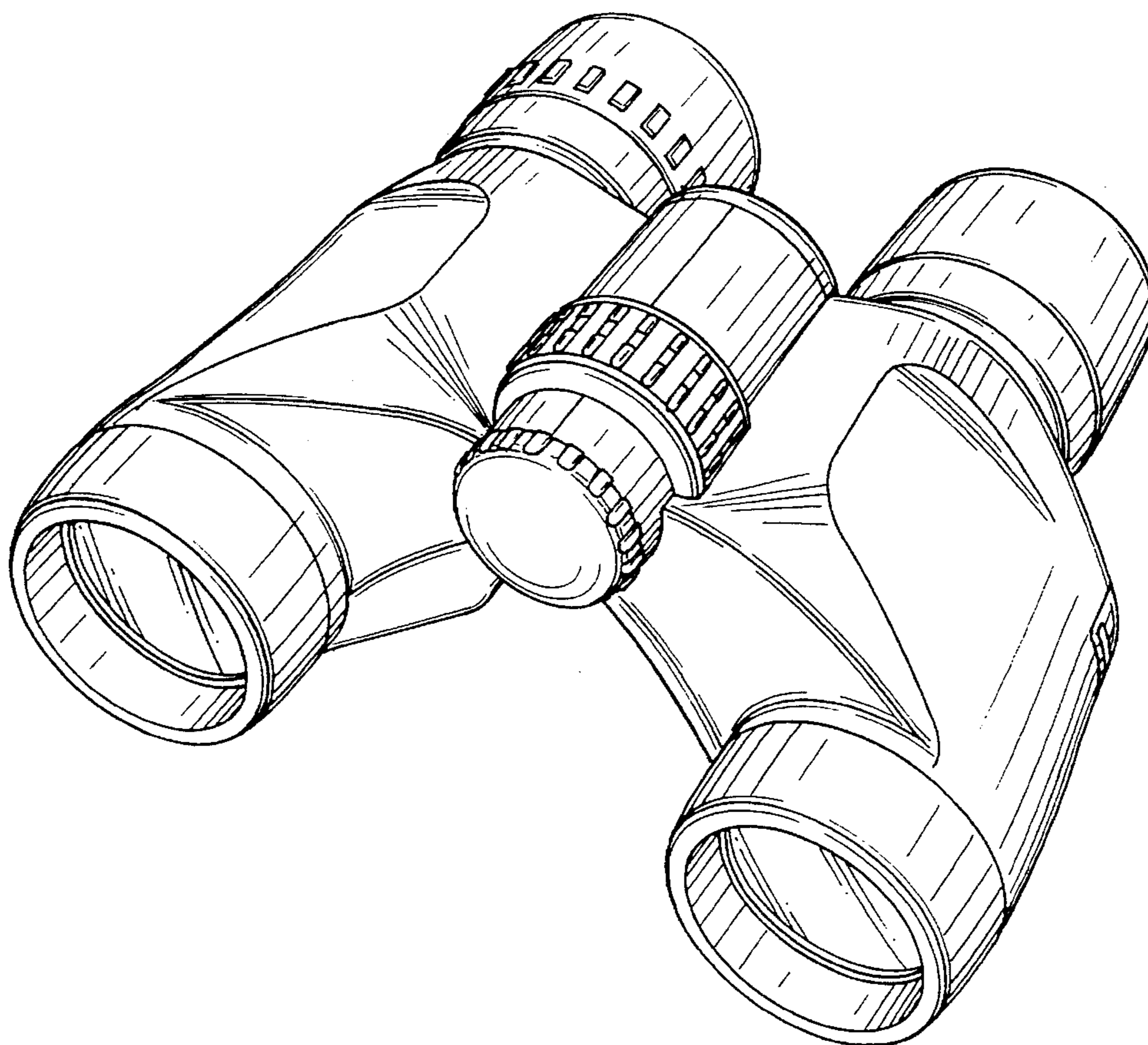


FIG. 1

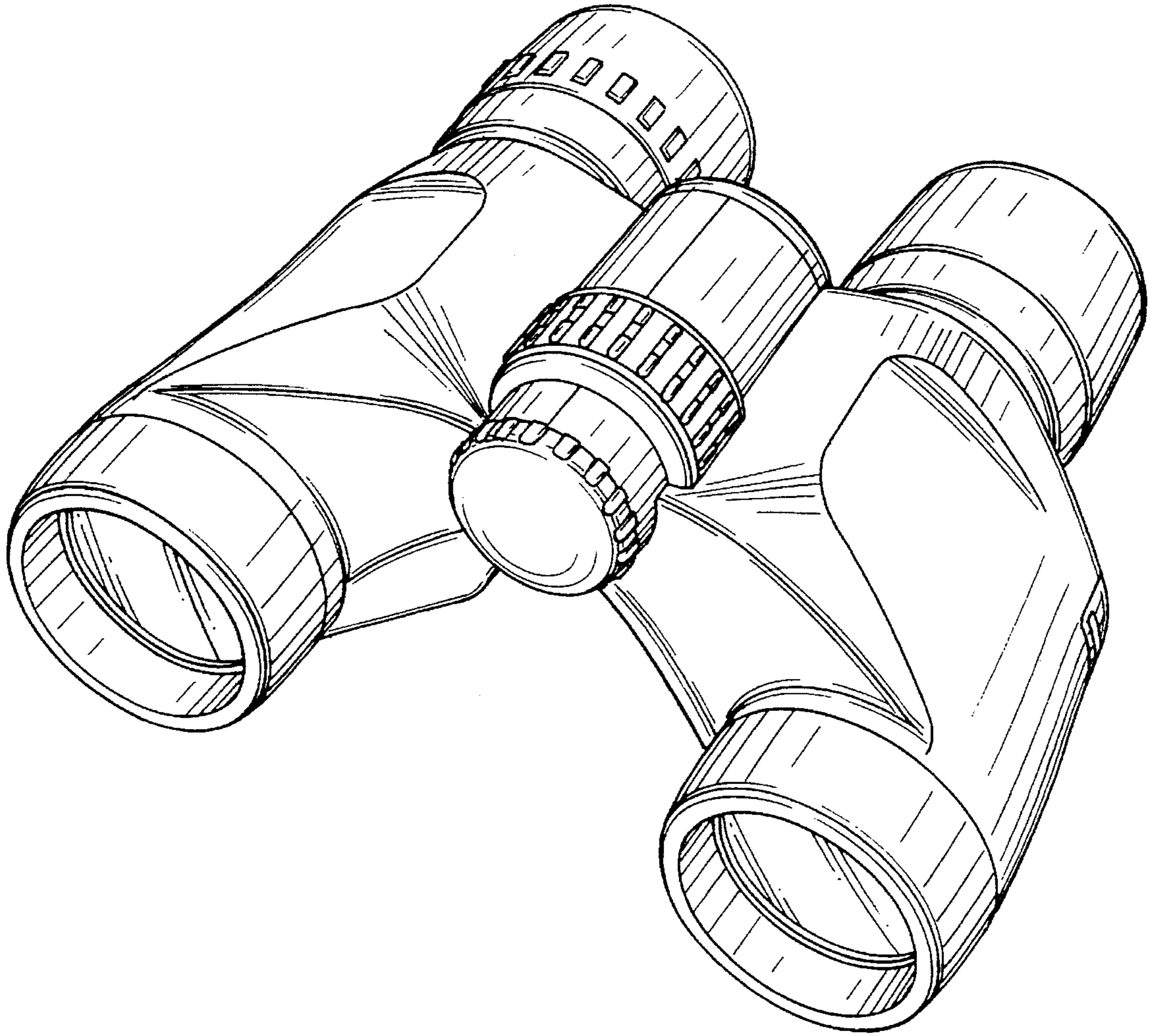


FIG. 2

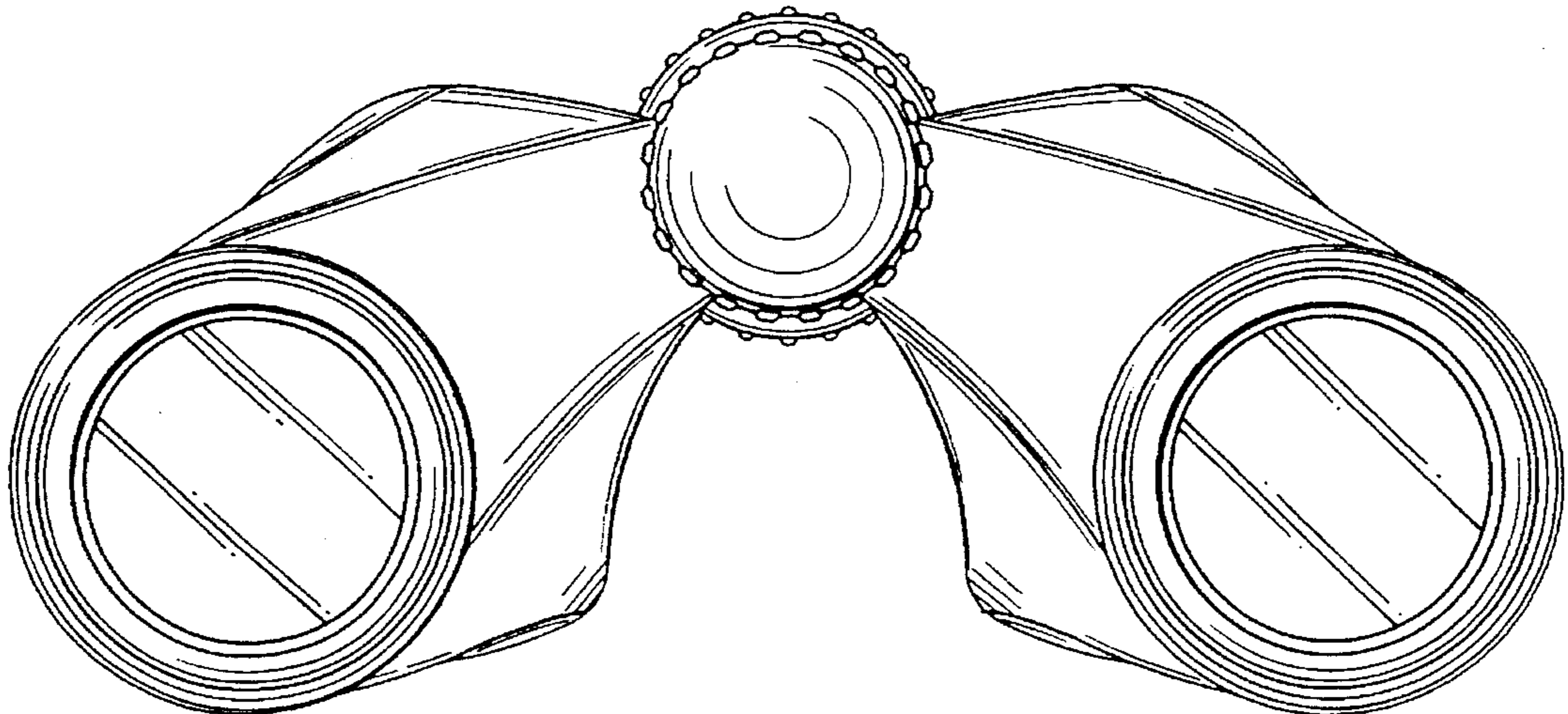


FIG. 3

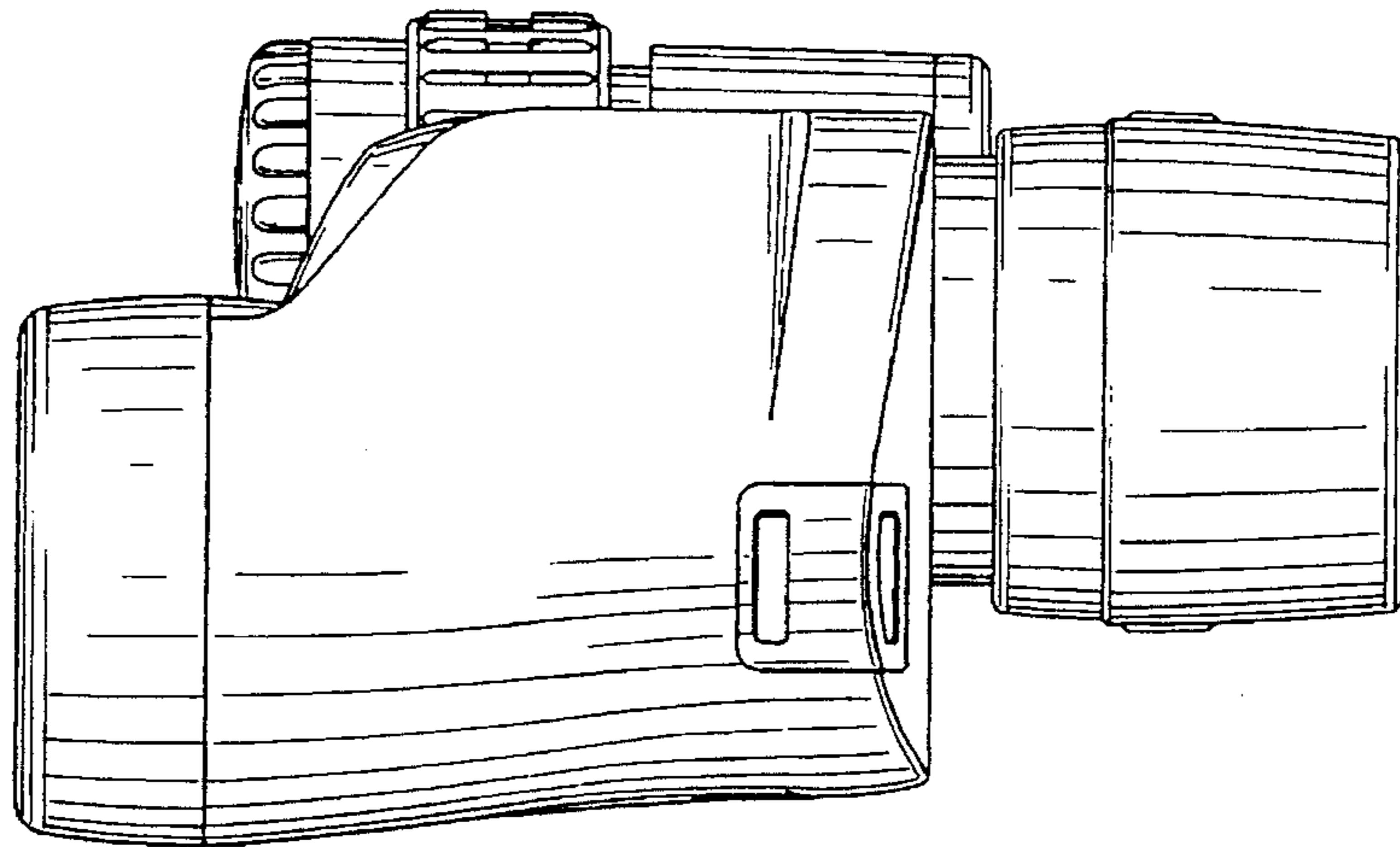


FIG. 4

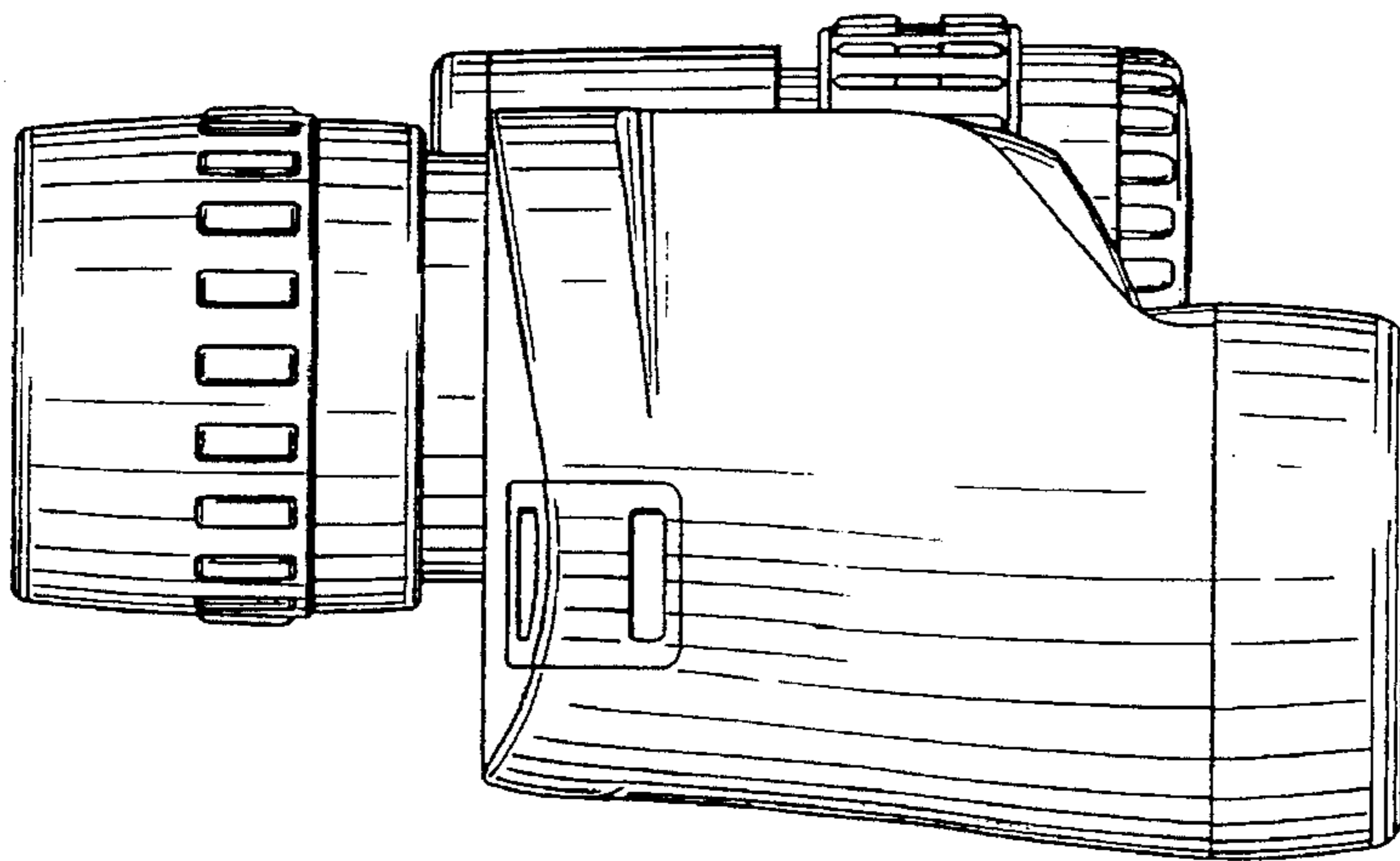


FIG. 5

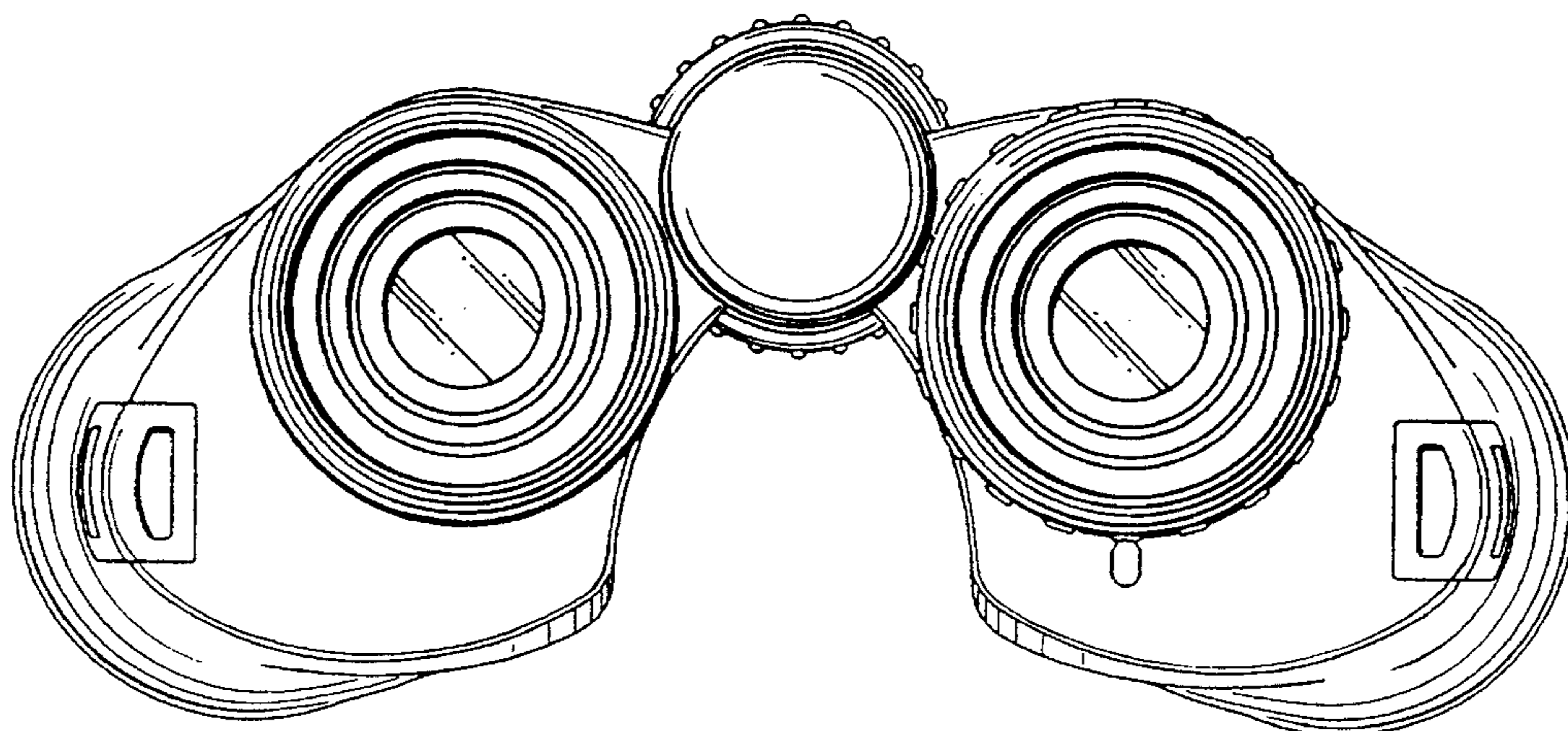


FIG. 6

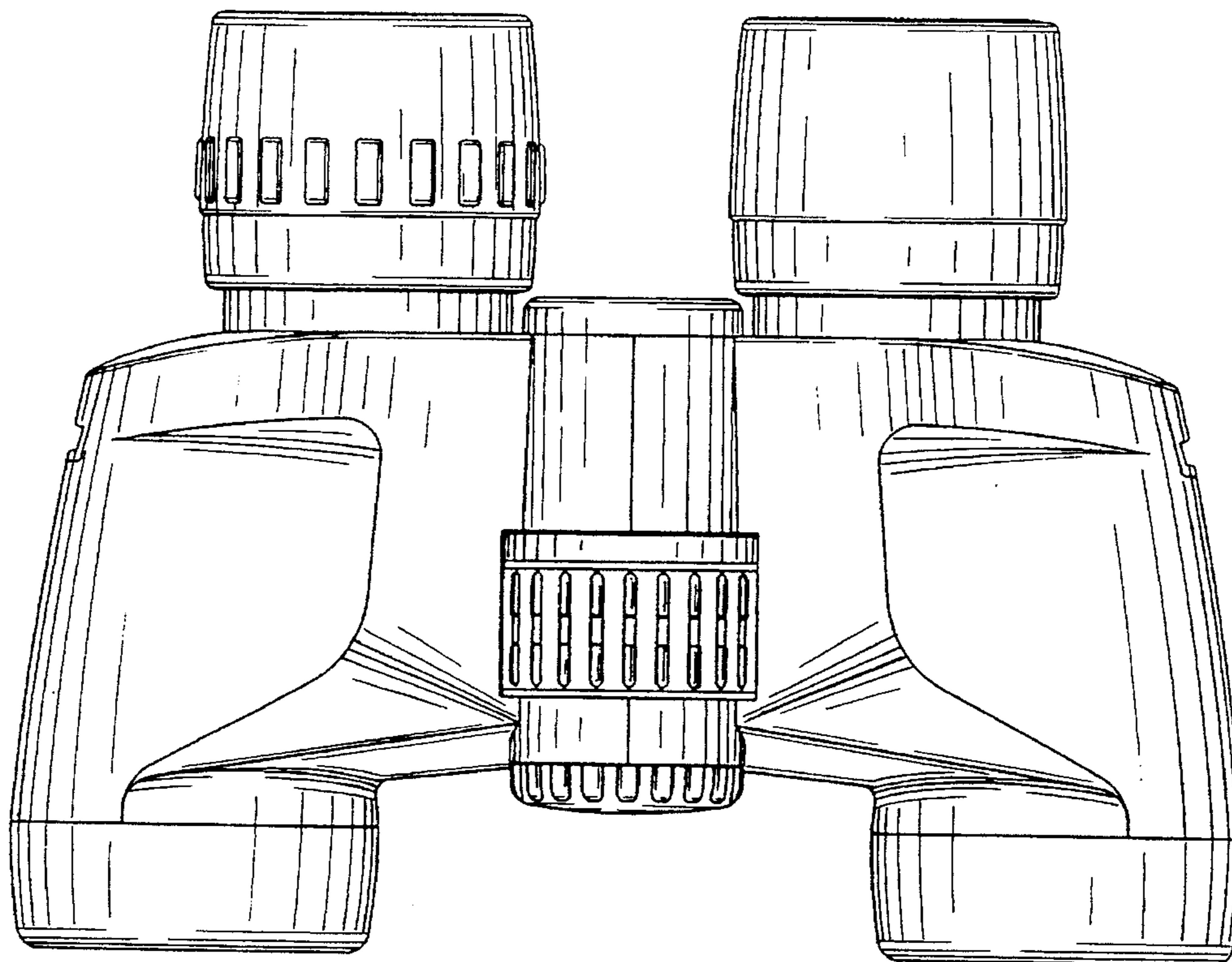


FIG. 7

