



US00D376164S

United States Patent [19]

Hasegawa et al.

[11] Patent Number: **Des. 376,164**

[45] Date of Patent: ****Dec. 3, 1996**

[54] **BINOCULARS**

[75] Inventors: **Masato Hasegawa**, Kawasaki; **Toru Shinano**, Yokohama; **Hidefumi Notagashira**, Yokohama; **Toshimi Iizuka**, Yokohama, all of Japan

[73] Assignee: **Canon Kabushiki Kaisha**, Tokyo, Japan

[**] Term: **14 Years**

[21] Appl. No.: **42,292**

[22] Filed: **Aug. 4, 1995**

[30] Foreign Application Priority Data

Feb. 6, 1995 [JP] Japan 7-2852

[52] U.S. Cl. **D16/133**

[58] Field of Search D16/132, 133, D16/200-201, 206-207; 359/407-418, 480-482

[56] References Cited

U.S. PATENT DOCUMENTS

D. 252,996	9/1979	Woolley	D16/133 X
D. 259,569	6/1981	Nishioka	D16/01
D. 262,632	1/1982	Yamazaki	D16/133 X
D. 265,479	7/1982	Yamazaki	D16/133 X
D. 299,724	2/1989	Aoki	D16/133
D. 306,606	3/1990	Yamanaka et al.	D16/133
D. 311,748	10/1990	Kwon	D16/133

D. 314,203	1/1991	Shinano	D16/202
D. 314,580	2/1991	Shinano	D16/202
D. 320,026	9/1991	Lee	D16/133
D. 338,027	8/1993	Ushiyama	D16/133
D. 353,388	12/1994	Matsushita	D16/133
D. 355,920	2/1995	Shinano	D16/202
D. 359,972	7/1995	Takahashi	D16/133
D. 359,973	7/1995	Hayamizu	D16/133
D. 360,215	7/1995	Moro et al.	D16/133
D. 364,631	11/1995	Hamamura	D16/133
D. 365,831	1/1996	Miyahara et al.	D16/133
D. 365,832	1/1996	Miyahara et al.	D16/133
4,445,766	5/1984	Yamazaki	D16/133 X
5,191,471	3/1993	Funathu	359/414

Primary Examiner—James M. Gandy

Assistant Examiner—Stacia Sinuik

Attorney, Agent, or Firm—Fitzpatrick, Cella, Harper & Scinto

[57] CLAIM

The ornamental design for binoculars, as shown and described.

DESCRIPTION

FIG. 1 is a front elevational view of binoculars showing our new design;

FIG. 2 is a rear elevational view thereof;

FIG. 3 is a top plan view thereof;

FIG. 4 is a bottom plan view thereof;

FIG. 5 is a left side elevational view thereof;

FIG. 6 is a right side elevational view thereof; and,

FIG. 7 is a perspective view thereof.

1 Claim, 3 Drawing Sheets

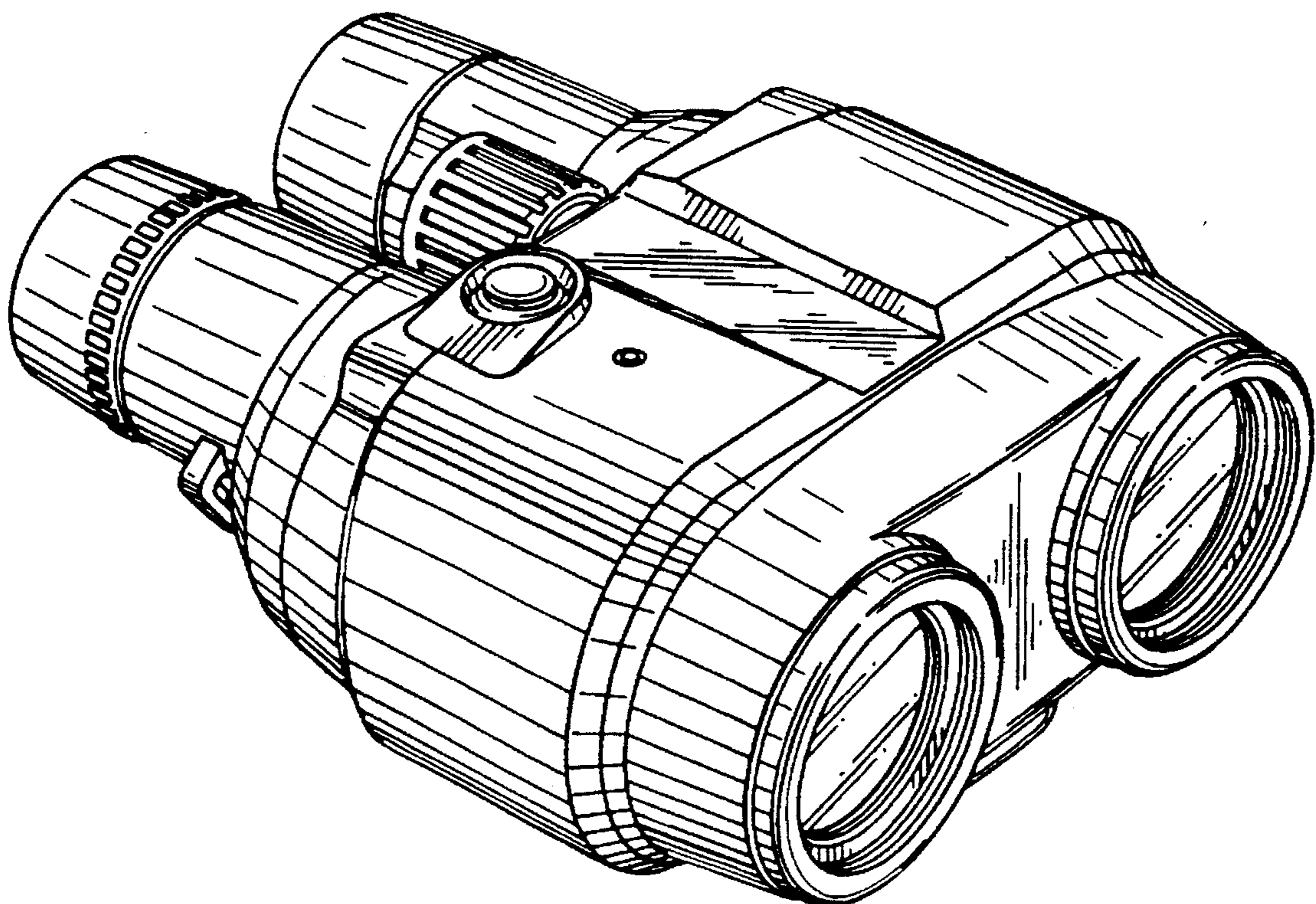


FIG. 1

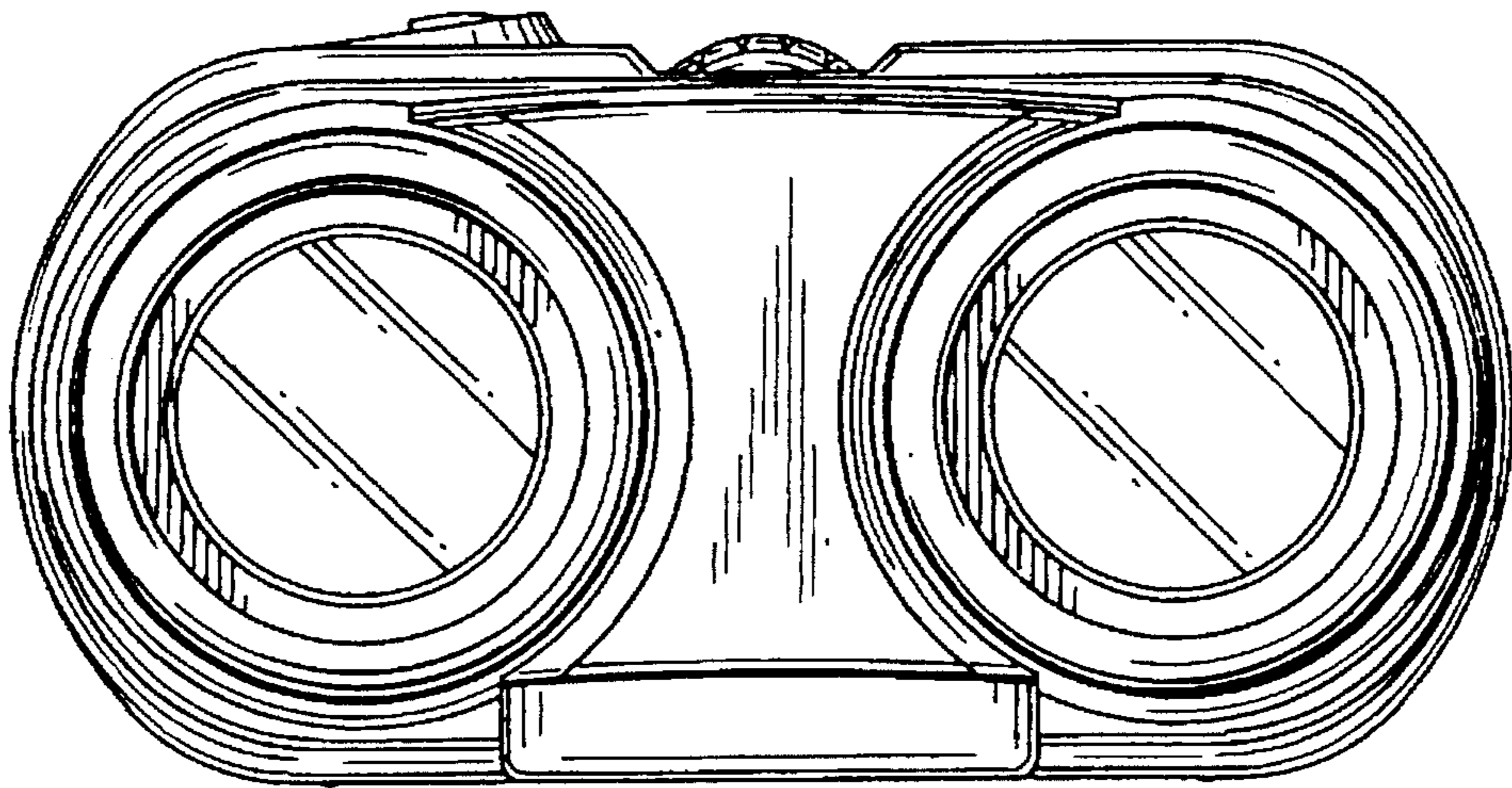


FIG. 2

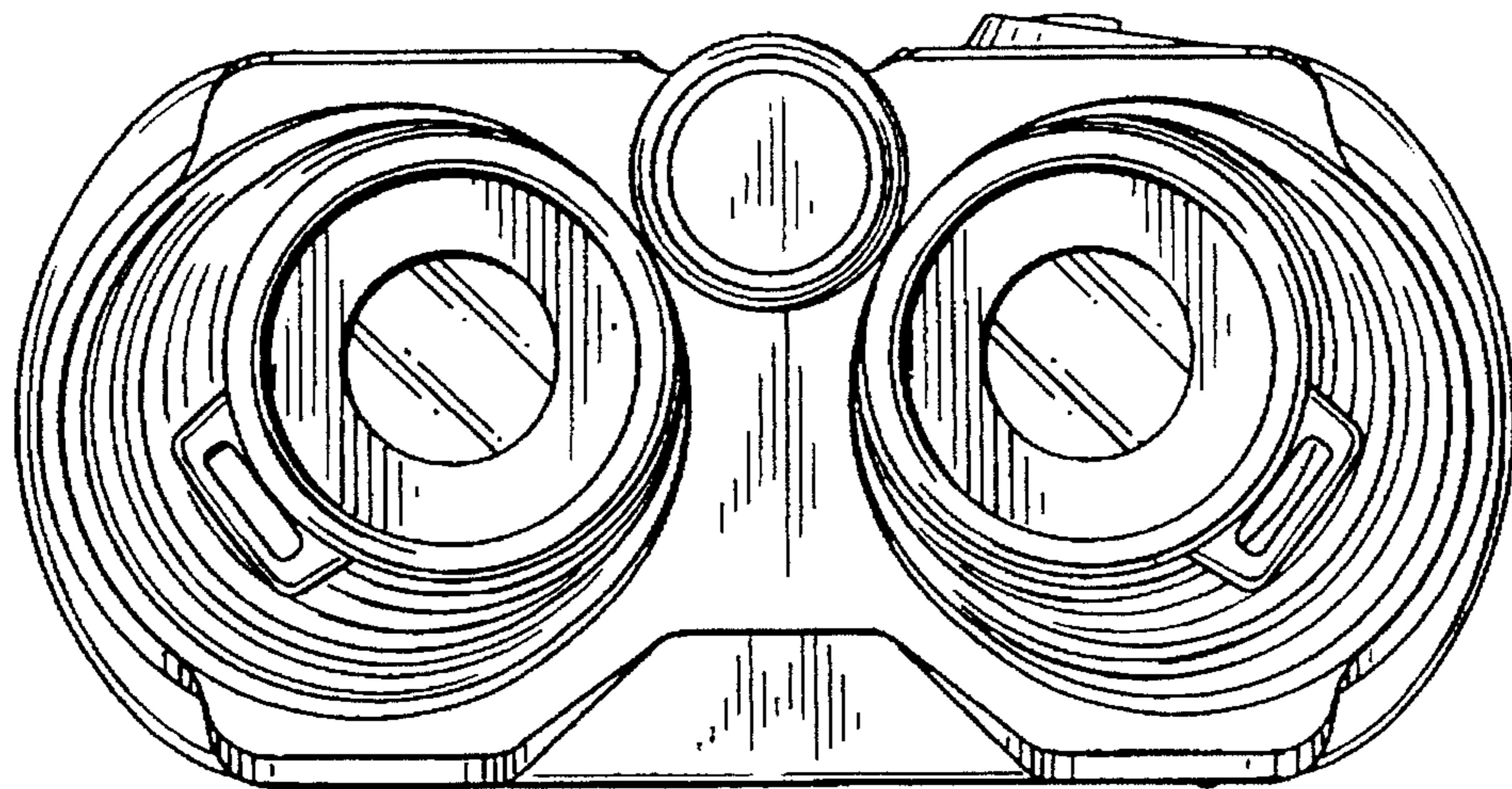


FIG. 3

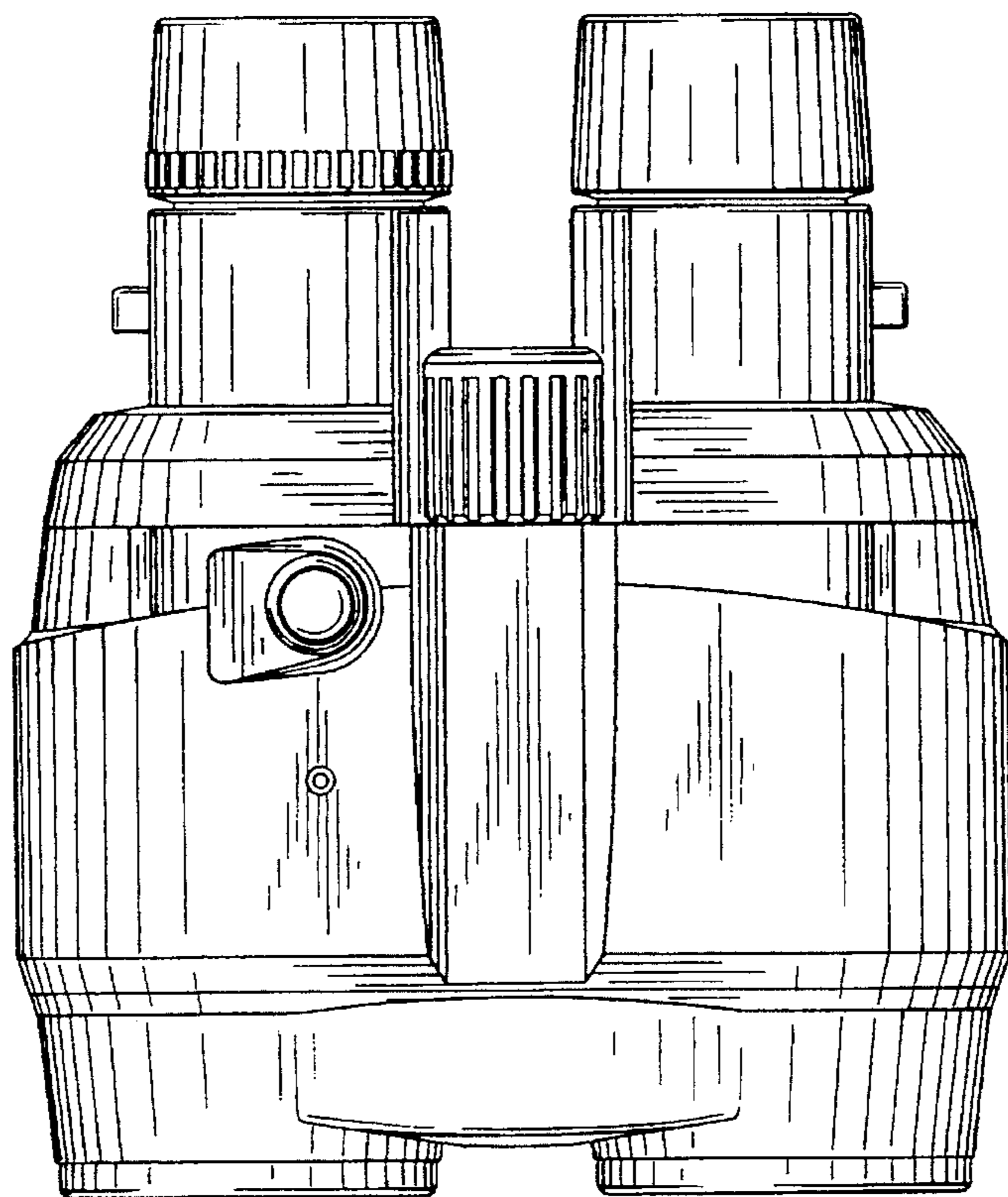


FIG. 4

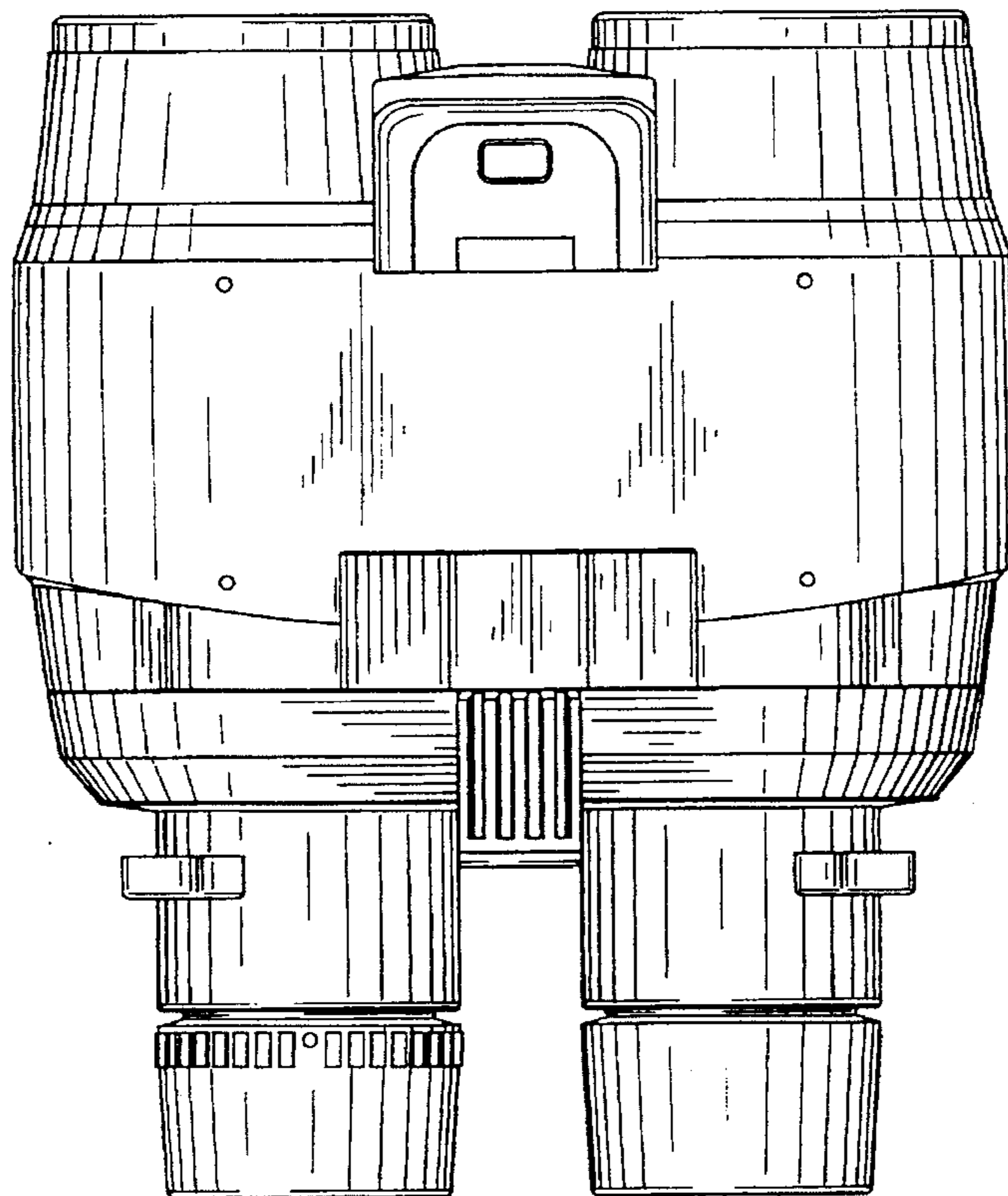


FIG. 5

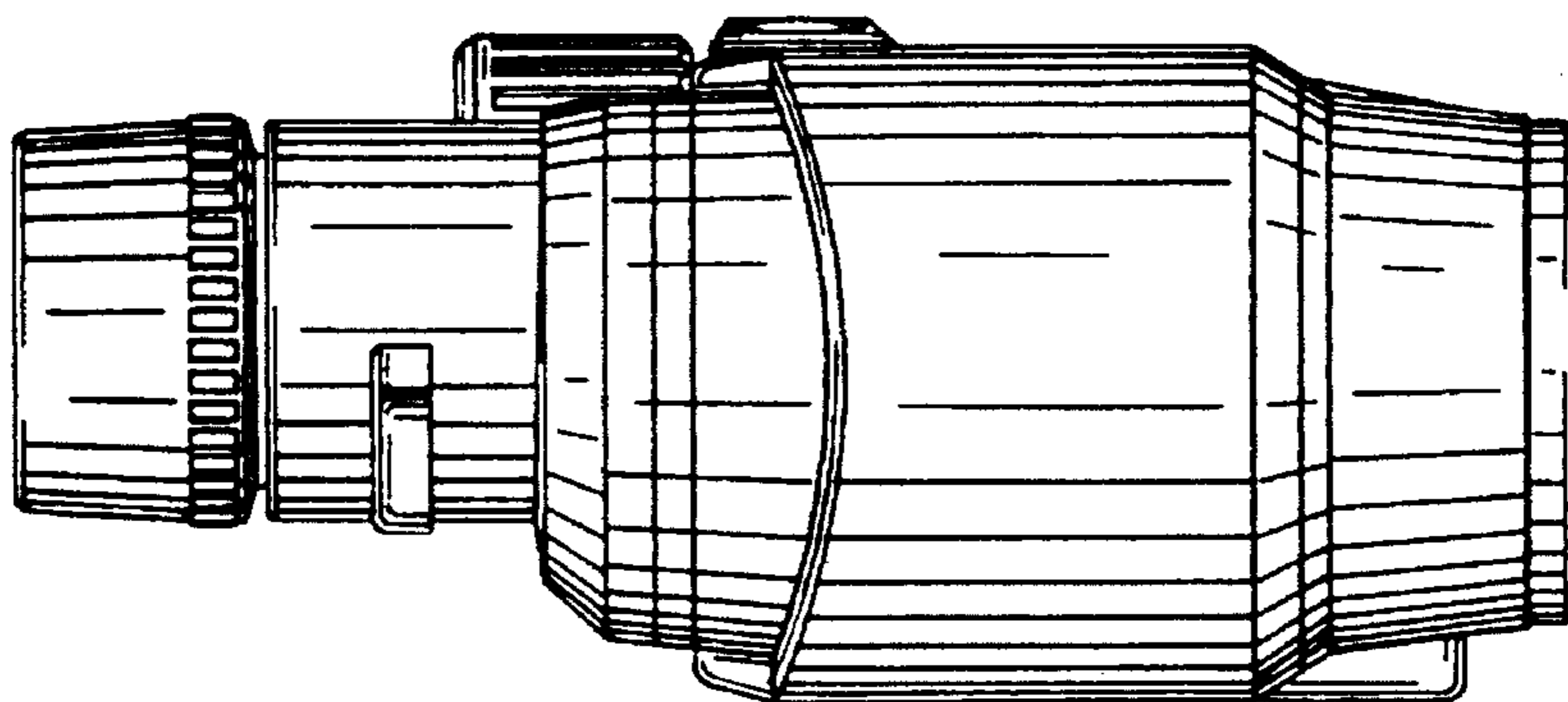


FIG. 6

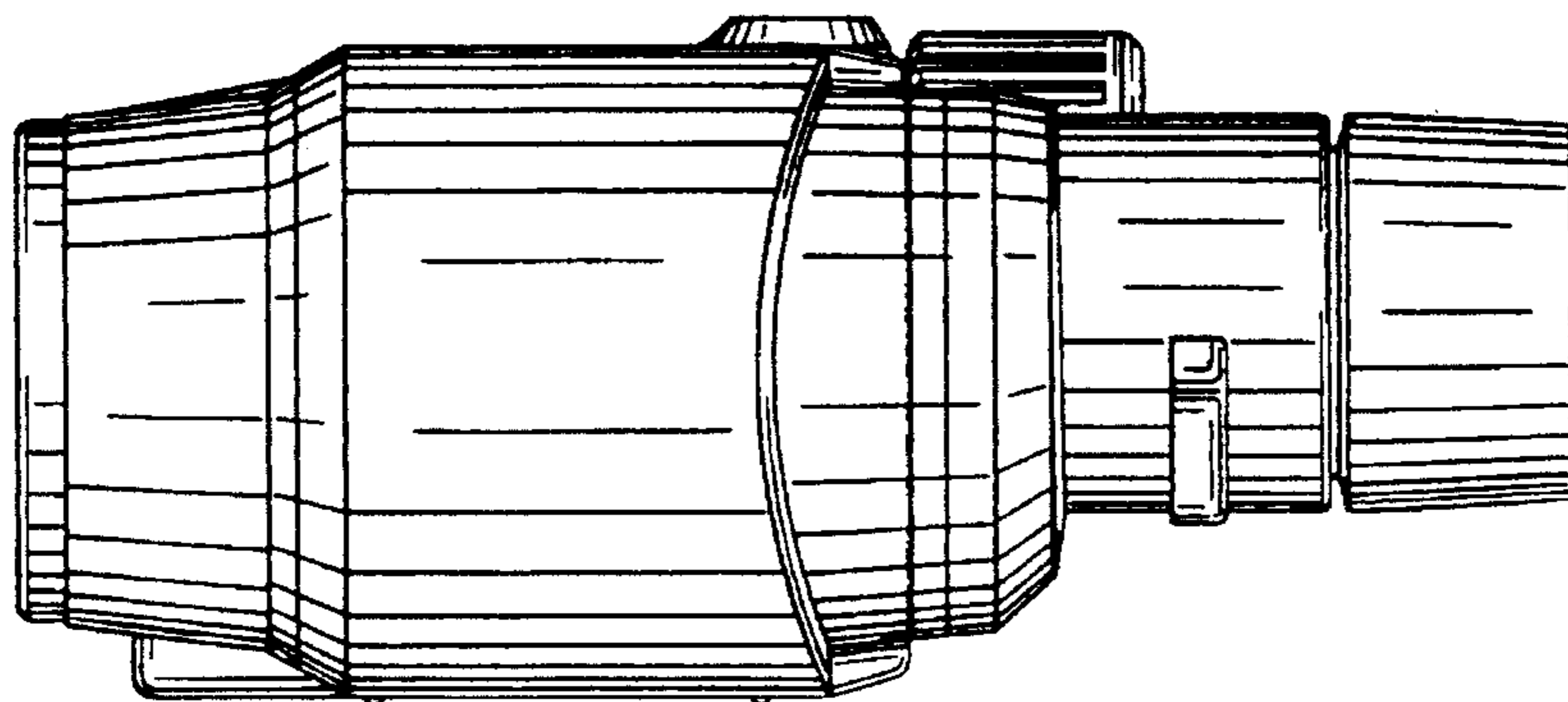
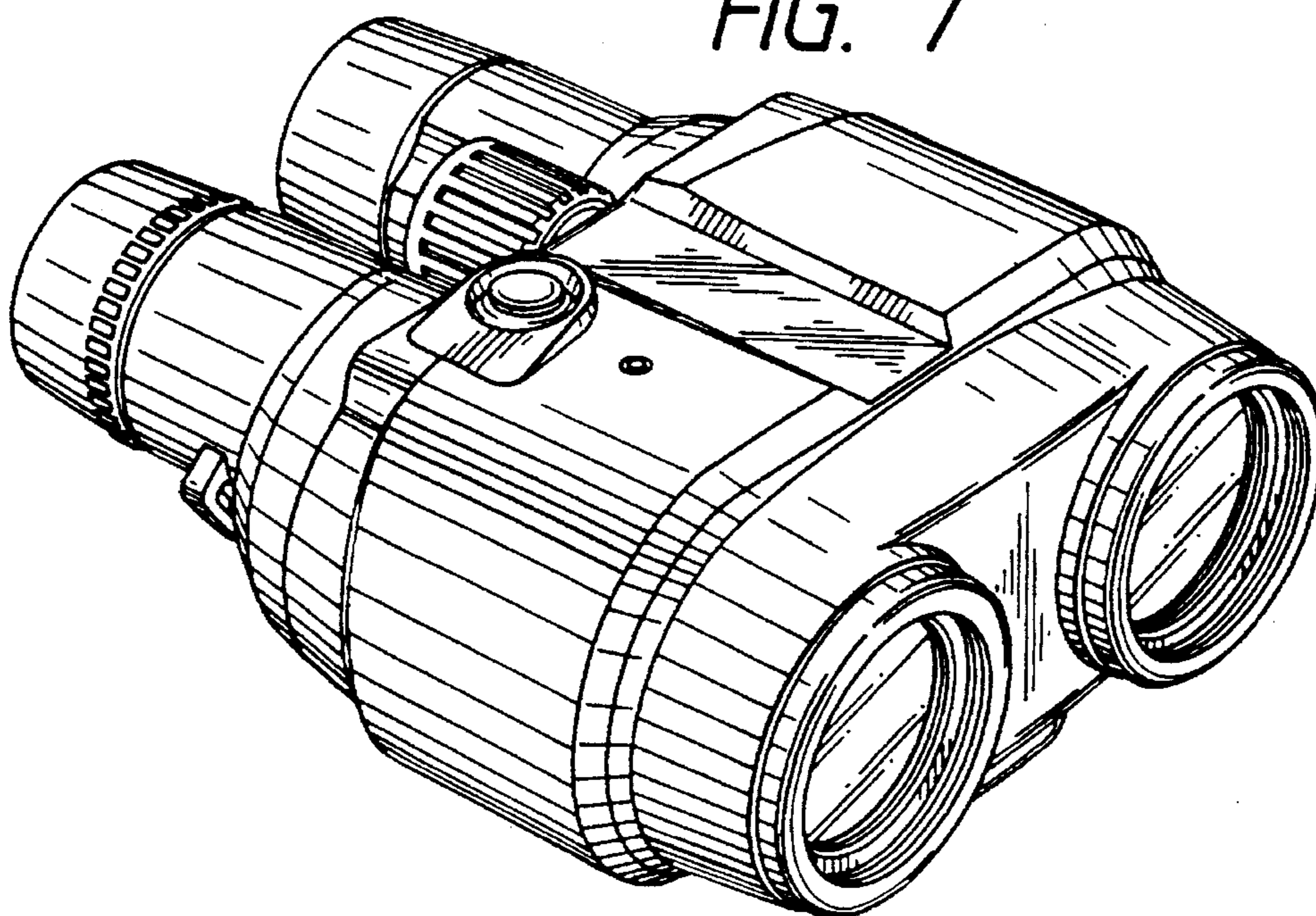


FIG. 7



UNITED STATES PATENT AND TRADEMARK OFFICE
CERTIFICATE OF CORRECTION

PATENT NO. : Des. 376,164

Page 1 of 3

DATED : December 3, 1996

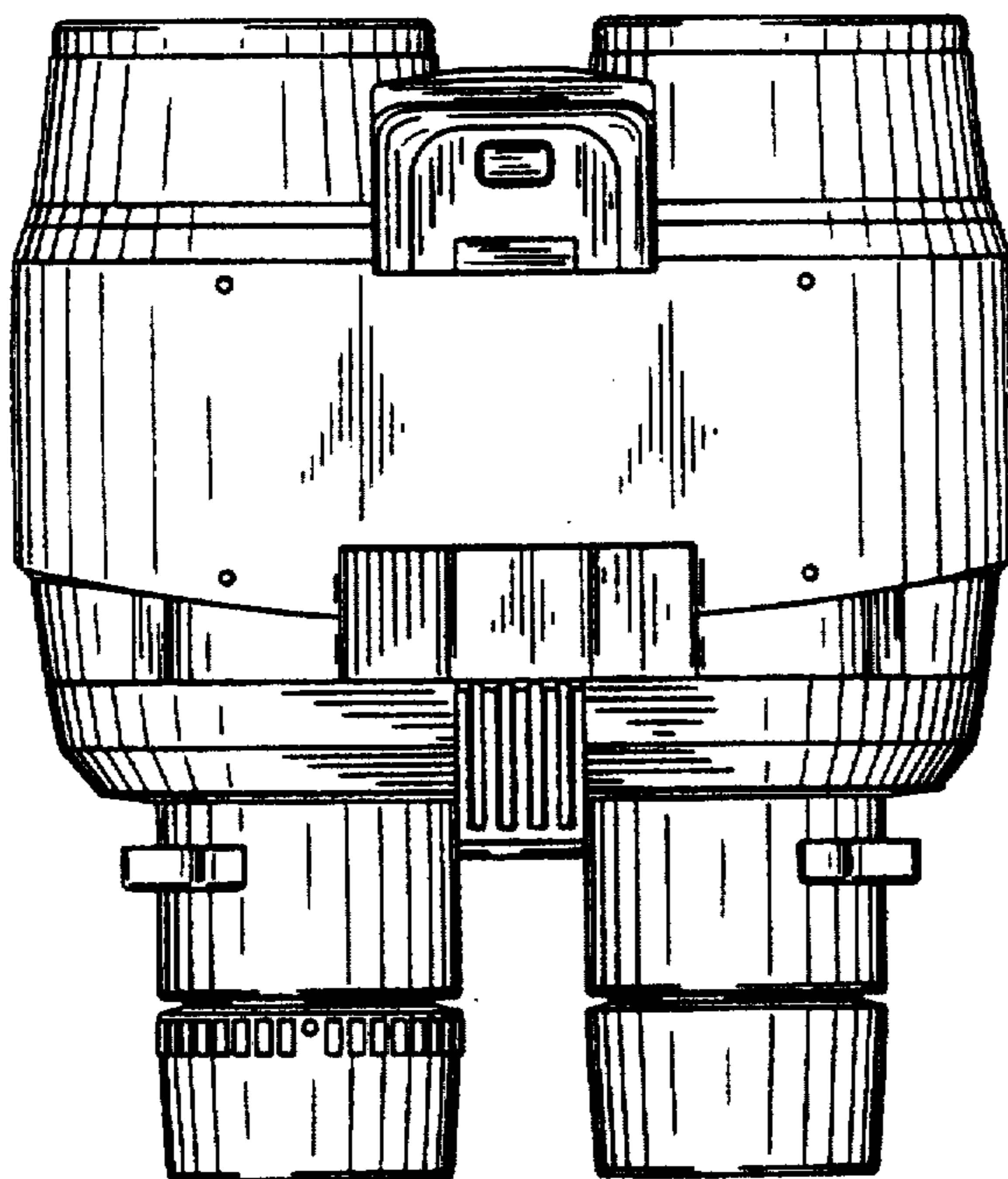
INVENTOR(S) : MASATO HASEGAWA ET AL.

It is certified that error appears in the above-identified patent and that said Letters Patent is hereby corrected as shown below:

At FIG. 4:

Please delete the present figure and substitute the following drawing below:

FIG. 4



UNITED STATES PATENT AND TRADEMARK OFFICE
CERTIFICATE OF CORRECTION

PATENT NO. : Des. 376,164

Page 2 of 3

DATED : December 3, 1996

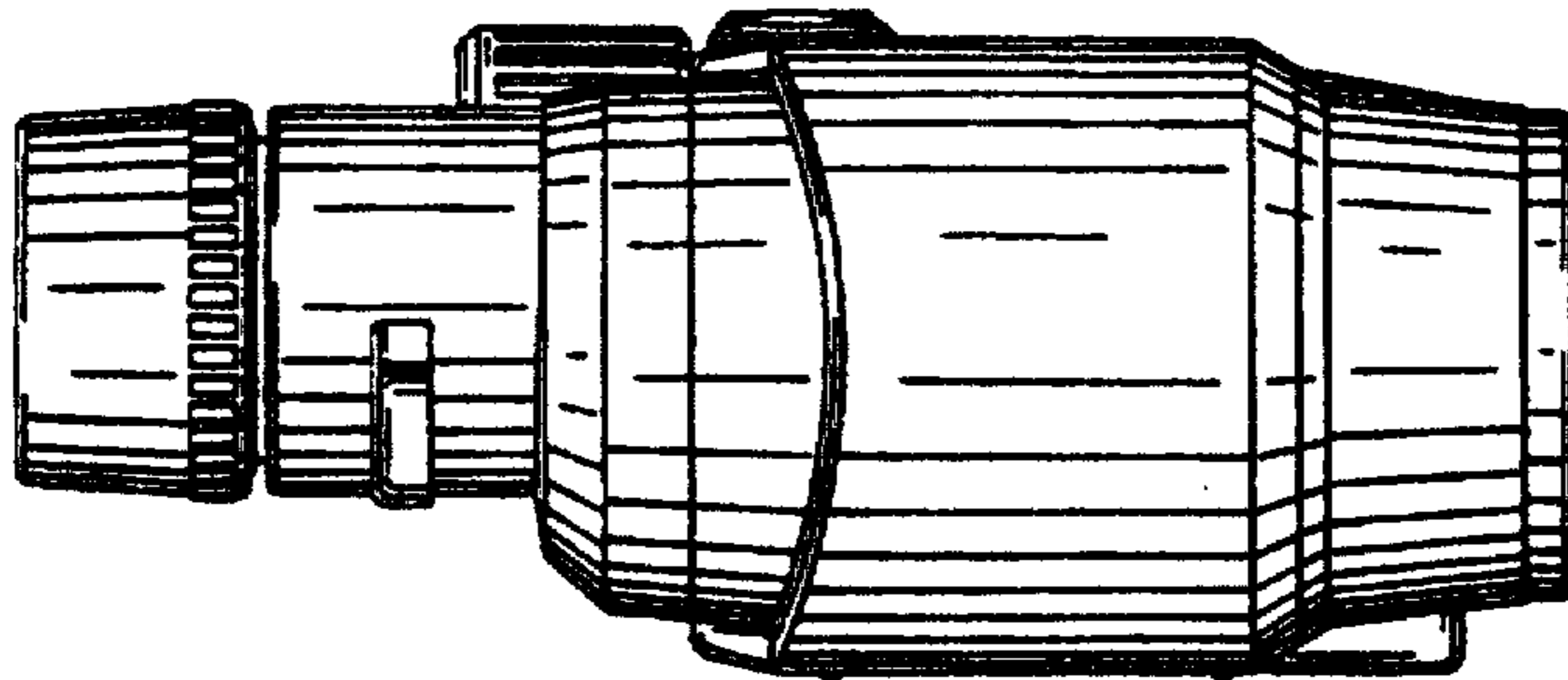
INVENTOR(S) : MASATO HASEGAWA ET AL.

It is certified that error appears in the above-identified patent and that said Letters Patent is hereby corrected as shown below:

At FIG. 5:

Please delete the present figure and substitute the following drawing below:

FIG. 5



UNITED STATES PATENT AND TRADEMARK OFFICE
CERTIFICATE OF CORRECTION

PATENT NO. : Des. 376,164

Page 3 of 3

DATED : December 3, 1996

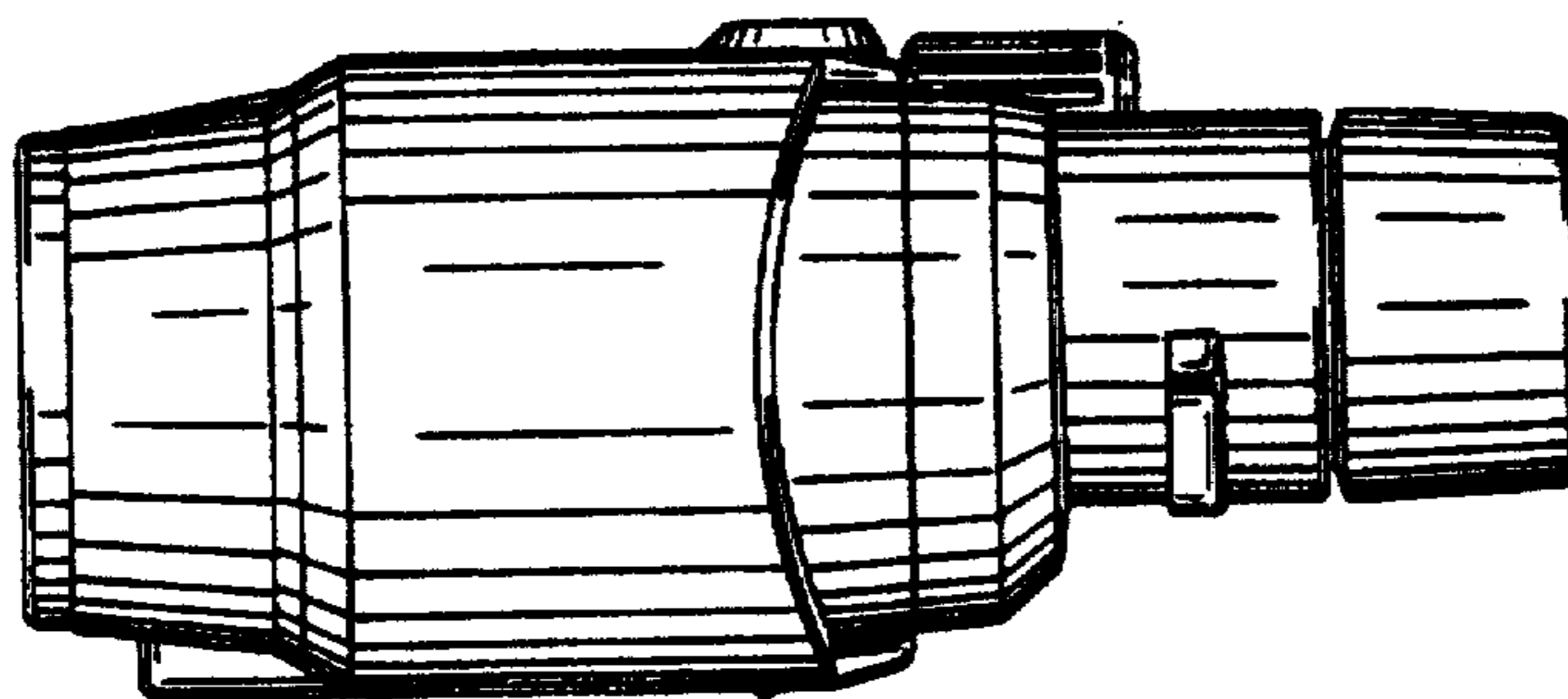
INVENTOR(S) : MASATO HASEGAWA ET AL.

It is certified that error appears in the above-identified patent and that said Letters Patent is hereby corrected as shown below:

At FIG. 6:

Please delete the present figure and substitute the following drawing below:

FIG. 6



Signed and Sealed this

First Day of July, 1997

Bruce Lehman

Attest:

BRUCE LEHMAN

Attesting Officer

Commissioner of Patents and Trademarks