



US00D376161S

United States Patent [19]
Bergersen

[11] **Patent Number:** **Des. 376,161**
[45] **Date of Patent:** ****Dec. 3, 1996**

[54] **ADJUSTABLE TOOL STAND**

[76] Inventor: **Troy Bergersen**, 65 Moore St., New Hyde Park, N.Y. 11040

[**] Term: **14 Years**

[21] Appl. No.: **47,364**

[22] Filed: **Dec. 1, 1995**

[52] U.S. Cl. **D15/141; D34/17**

[58] **Field of Search** D15/140, 141; D6/396, 397, 400; D34/12-14, 17; 108/150; 269/329; 144/286 R, 286 A, 287

[56] **References Cited**

U.S. PATENT DOCUMENTS

- D. 247,035 1/1978 Brodmann D34/17 X
- D. 346,251 4/1994 Morooka D34/17
- 4,690,417 9/1987 Betts et al. D34/17 X

Primary Examiner—Antoine Duval Davis
Attorney, Agent, or Firm—Harold H. Dutton, Jr.; W. Charles L. Jamison; Diane F. Liebman

[57] **CLAIM**

The ornamental design for an adjustable tool stand, as shown.

DESCRIPTION

FIG. 1 is a perspective view of an adjustable tool stand showing my new design;
FIG. 2 is a rear view thereof;
FIG. 3 is a left side view thereof;
FIG. 4 is a right side view thereof;
FIG. 5 is a top view thereof; and,
FIG. 6 is a bottom view thereof.

1 Claim, 4 Drawing Sheets

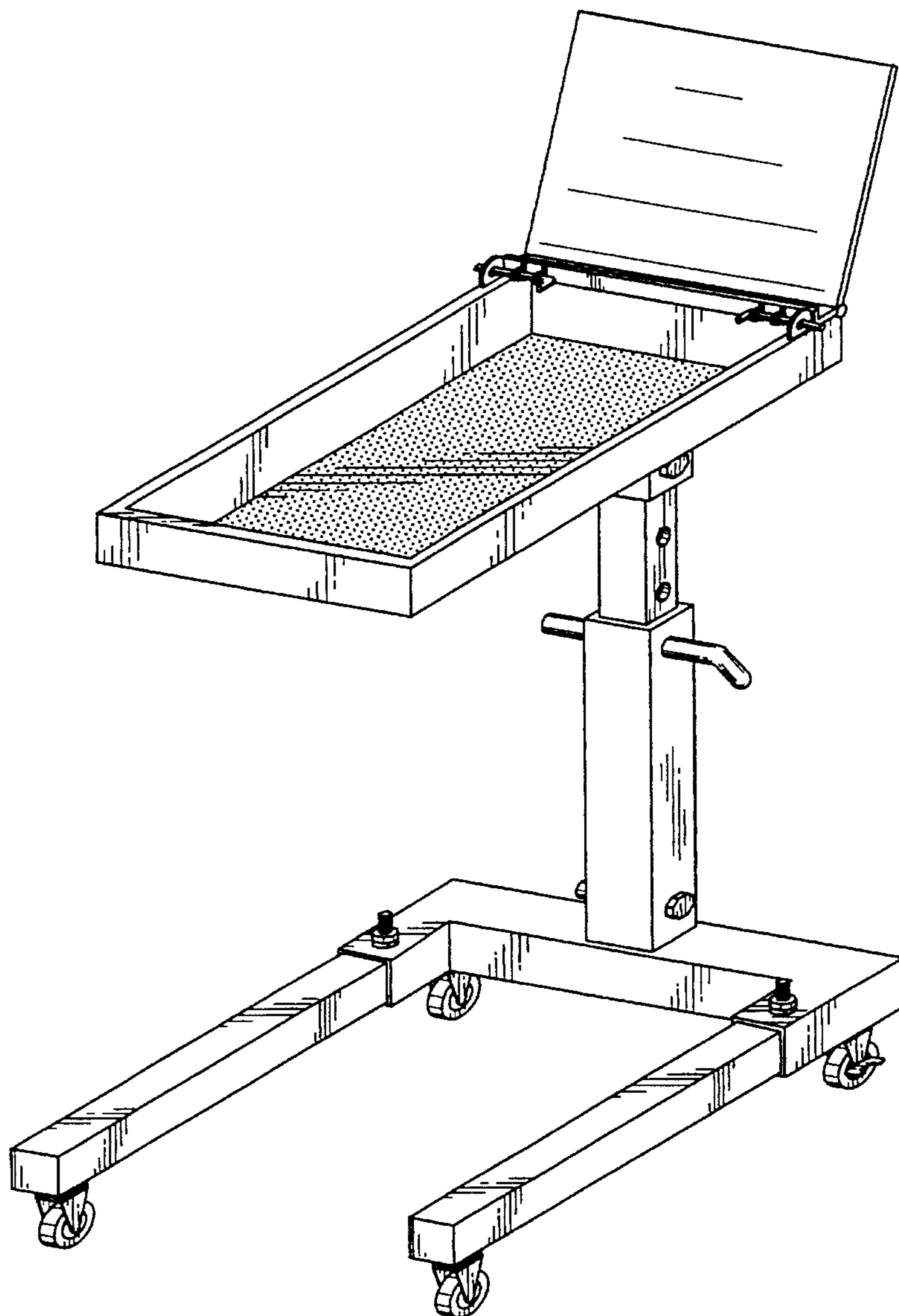
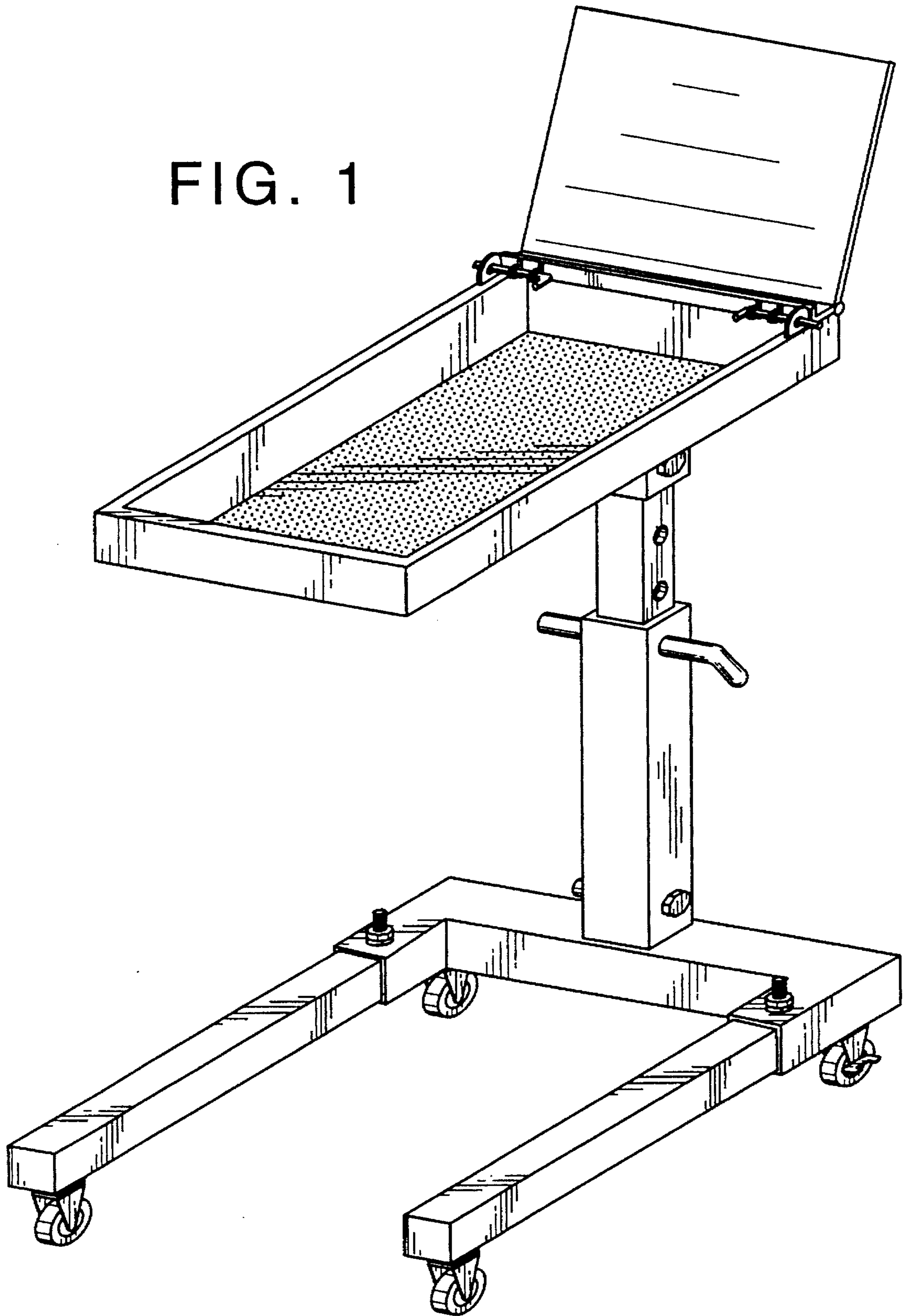


FIG. 1



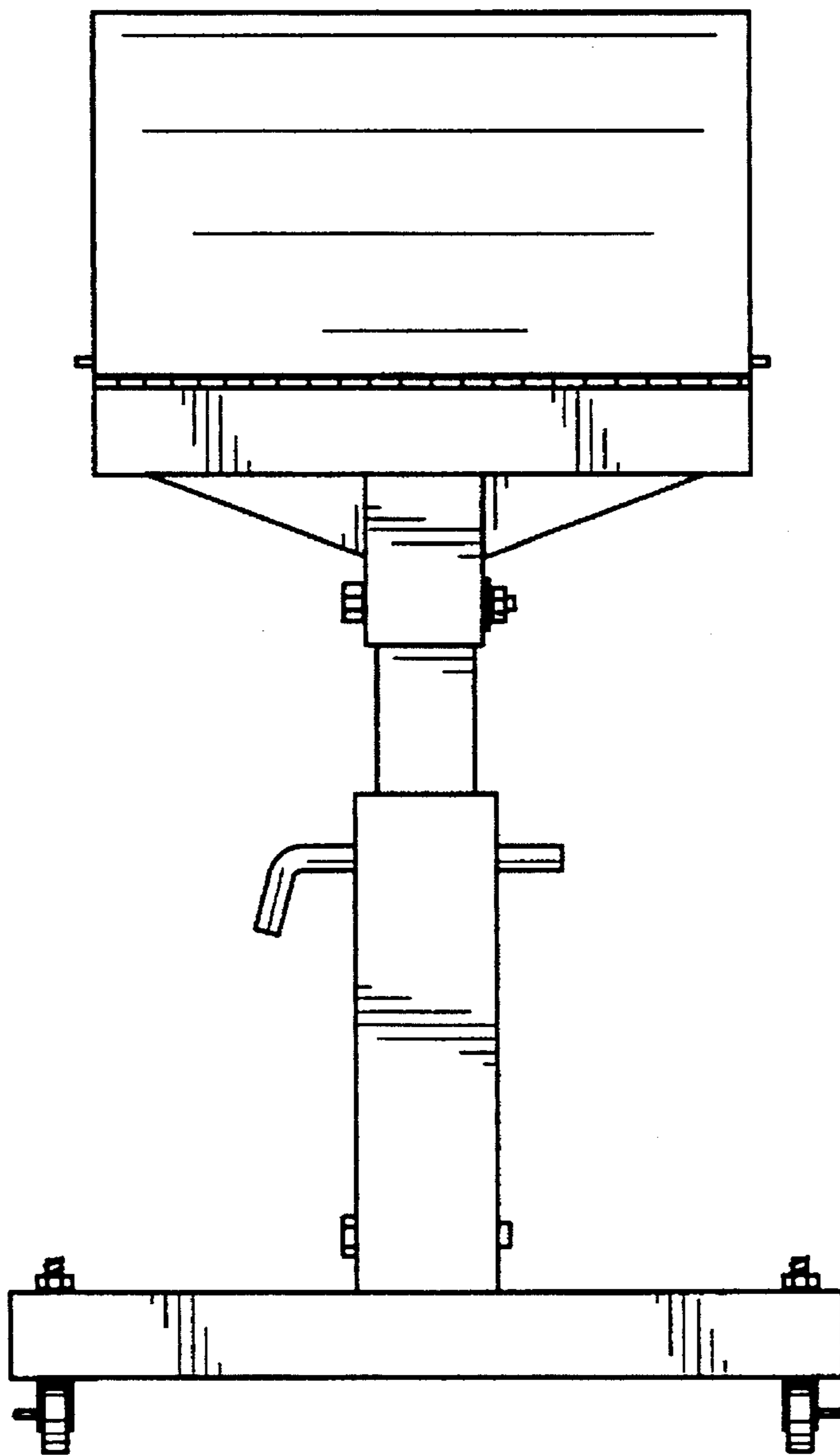


FIG. 2

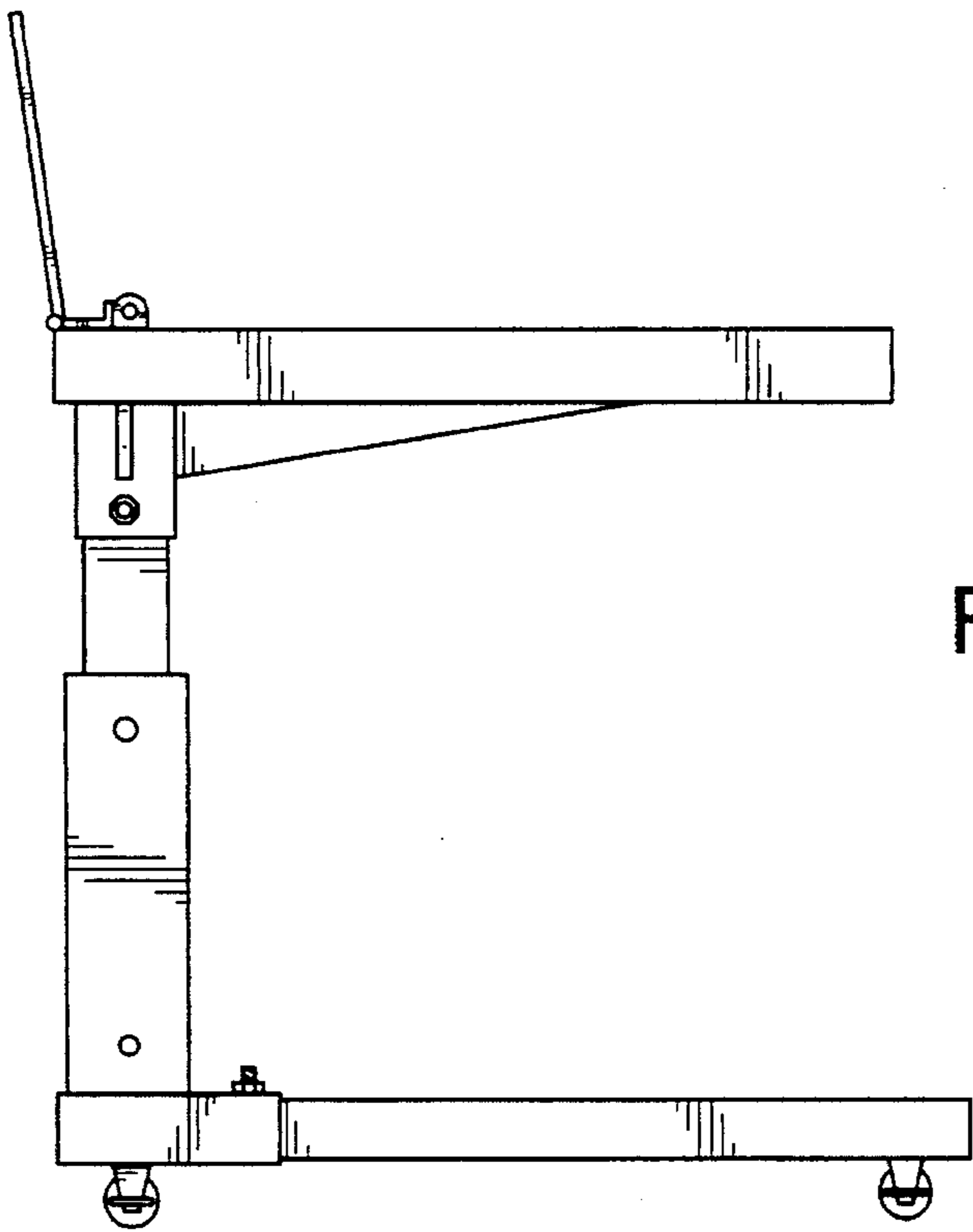


FIG. 3

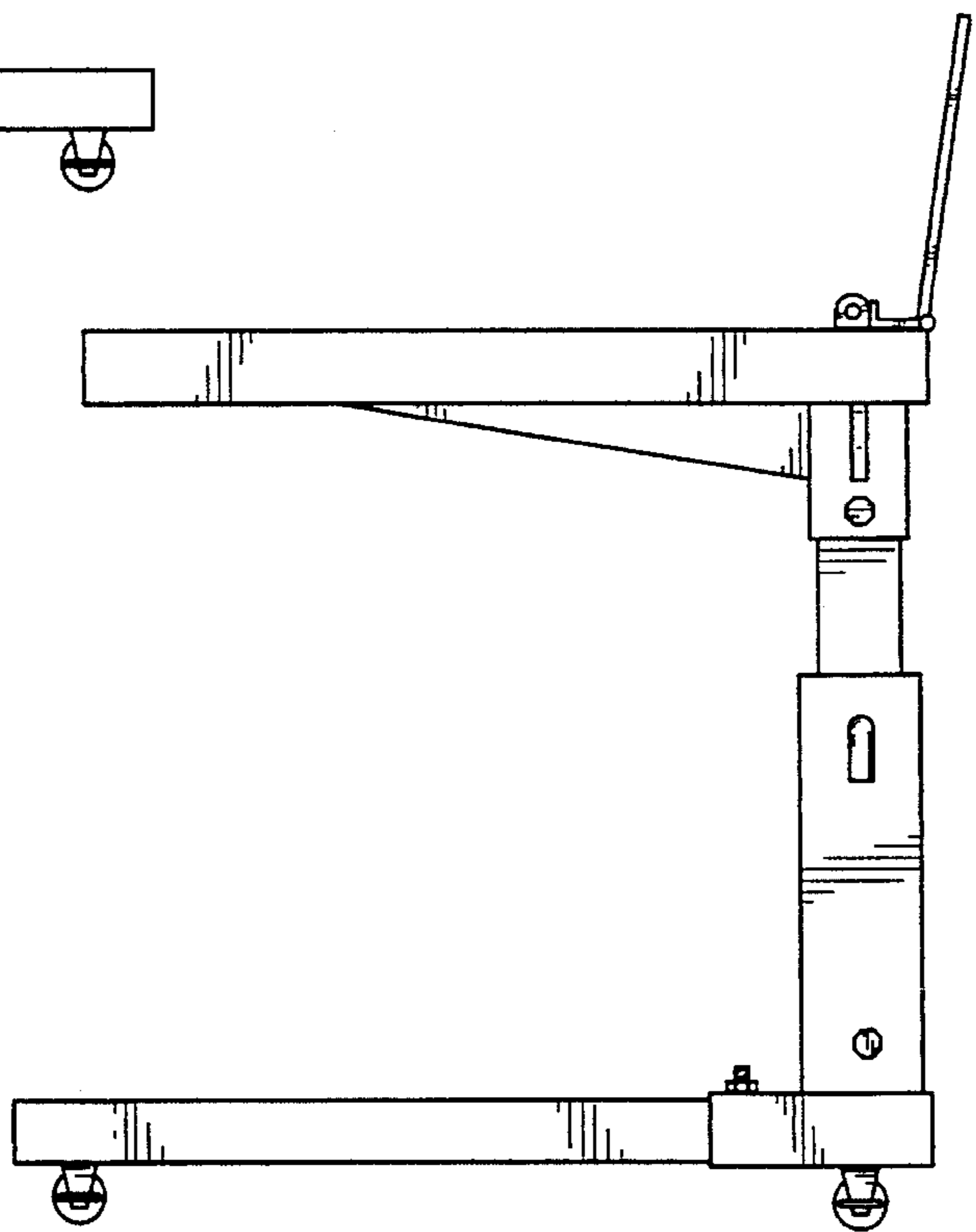


FIG. 4

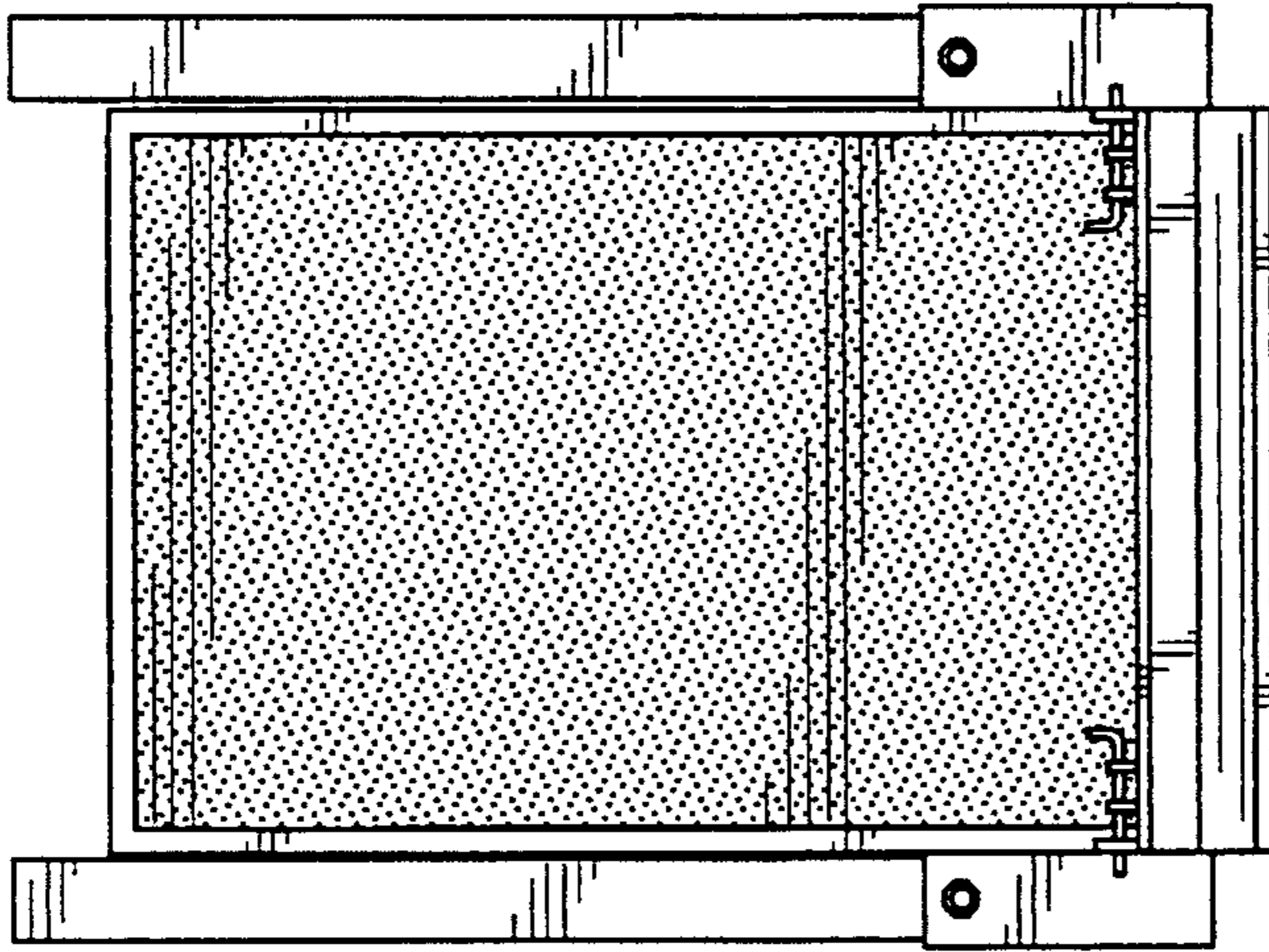


FIG. 5

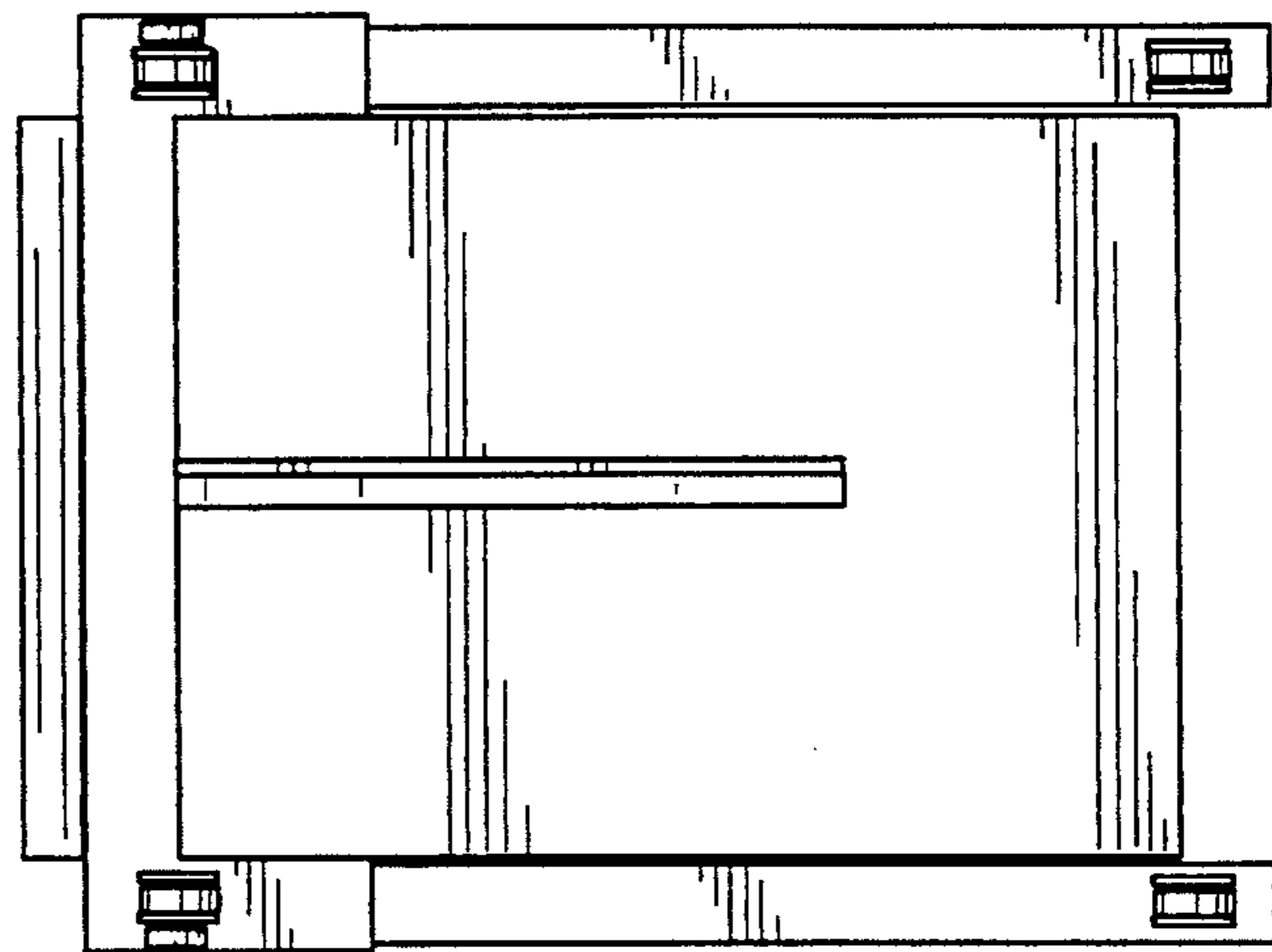


FIG. 6