



US00D376159S

United States Patent [19]

[11] Patent Number: **Des. 376,159**

Waskiewicz

[45] Date of Patent: ****Dec. 3, 1996**

[54] **ADAPTOR FOR INNER BEARING RING BORE**

Primary Examiner—Holly H. Bayham
Attorney, Agent, or Firm—John C. Bigler

[75] Inventor: **Walter P. Waskiewicz**, Bristol, Conn.

[57] **CLAIM**

[73] Assignee: **The Torrington Company**, Torrington, Conn.

The ornamental design for an adaptor for inner bearing ring bore, as shown and described.

[**] Term: **14 Years**

DESCRIPTION

[21] Appl. No.: **38,240**

[22] Filed: **May 1, 1995**

[52] U.S. Cl. **D15/143**

[58] Field of Search D15/143; 384/273, 384/275, 584, 538; 403/365

FIG. 1 is an isometric view of the front, top and right side of an adaptor for inner bearing ring bore showing my design; FIG. 2 is a front view with the rear view being identical in appearance;

FIG. 3 is an enlarged, fragmented front detailed view of my adaptor for inner bearing ring bore;

FIG. 4 is a top view with the bottom view and adjacent views being identical in appearance; and,

FIG. 5 is an enlarged, fragmented sectional view of my adaptor for inner bearing ring bore as indicated by line 5—5 of FIG. 2.

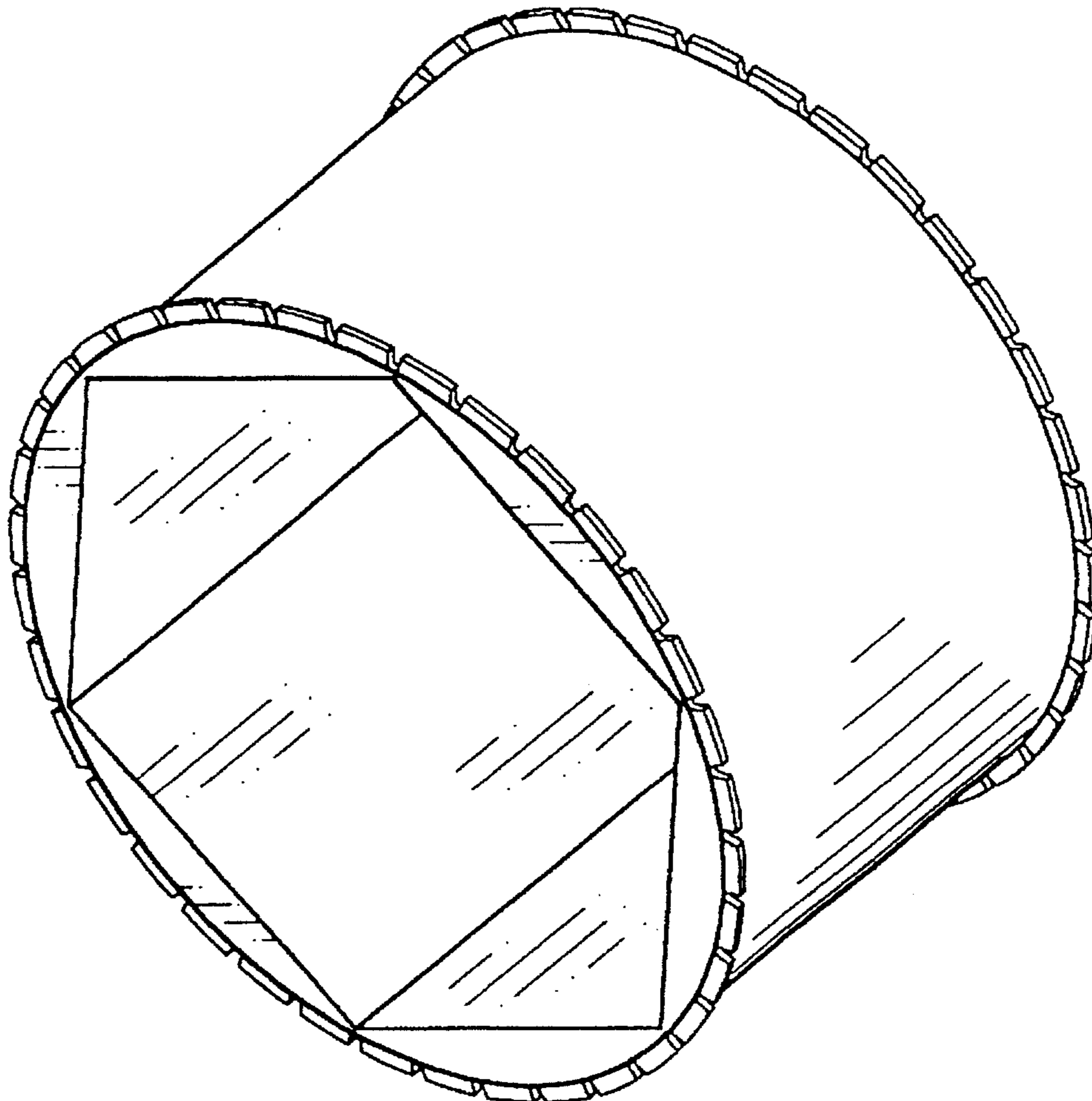
The view of FIGS. 3 and 5 are shown fragmented and enlarged for clarity of illustration.

[56] References Cited

U.S. PATENT DOCUMENTS

D. 341,145	11/1993	Esworthy	D15/143
D. 341,606	11/1993	Reilly	D15/143
2,268,576	1/1942	Drewett	403/365
3,790,292	2/1974	Nestor	403/365 X
3,897,988	8/1975	Dickinson et al.	384/539

1 Claim, 1 Drawing Sheet



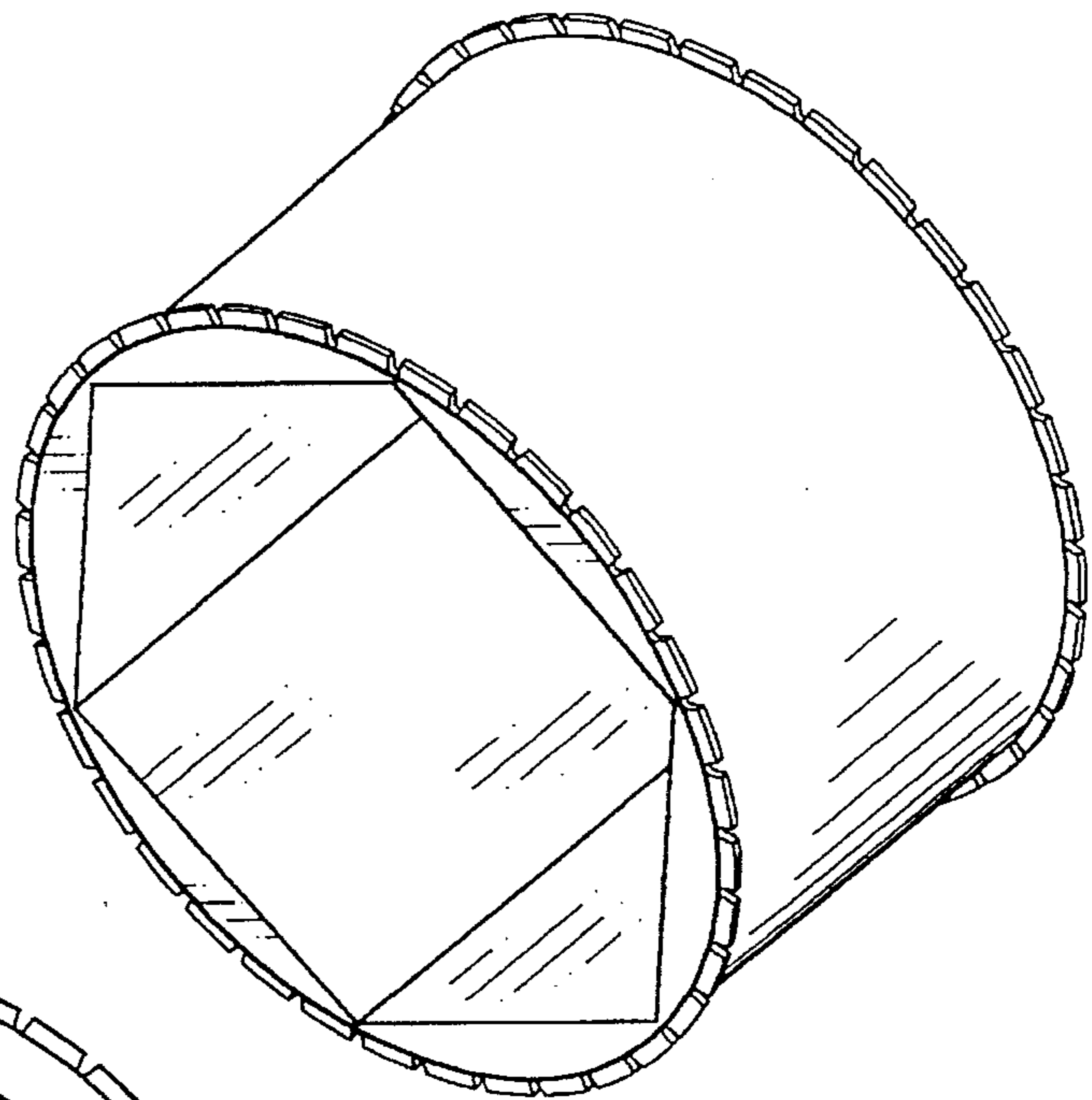


FIG. 1

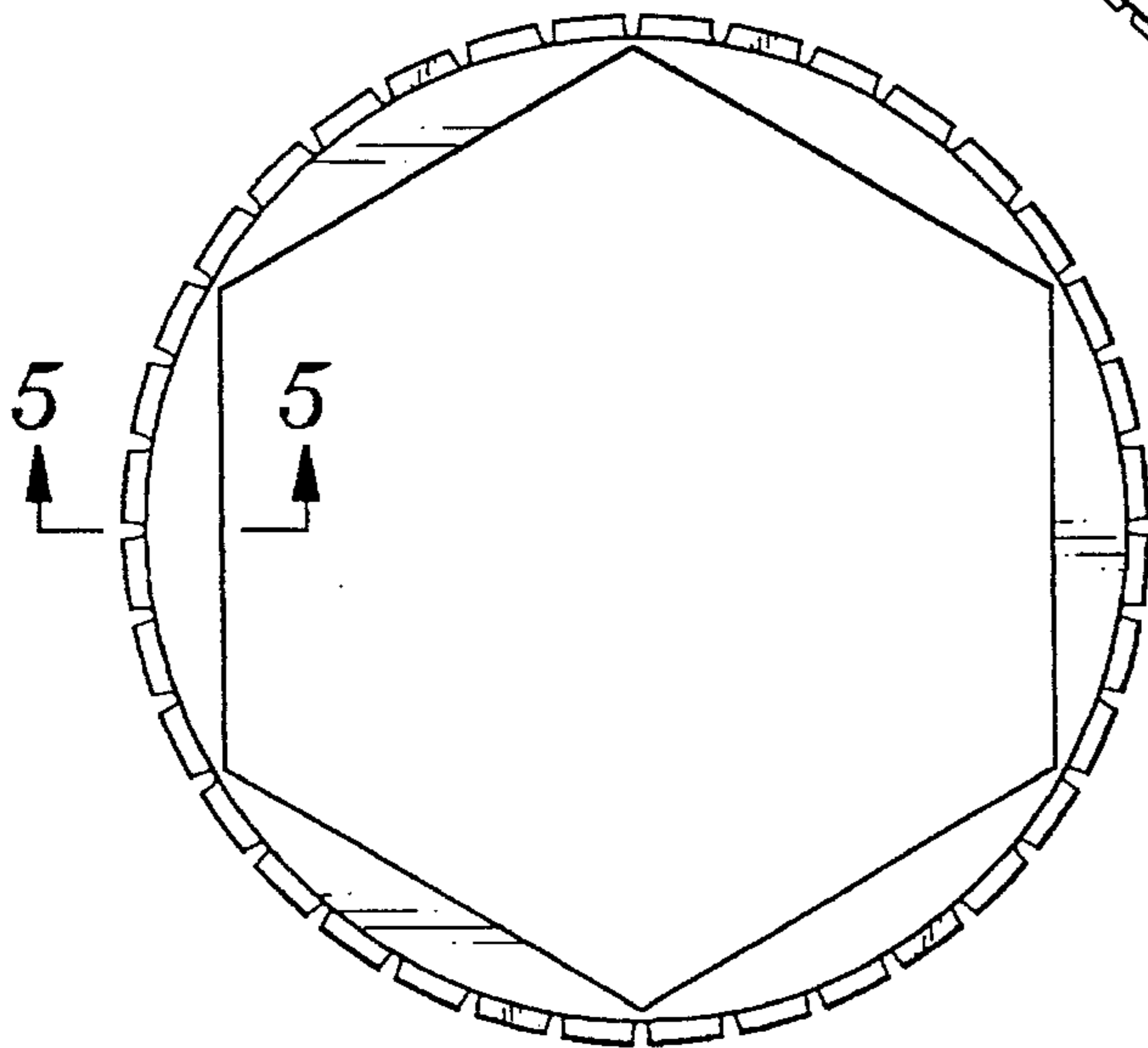


FIG. 2

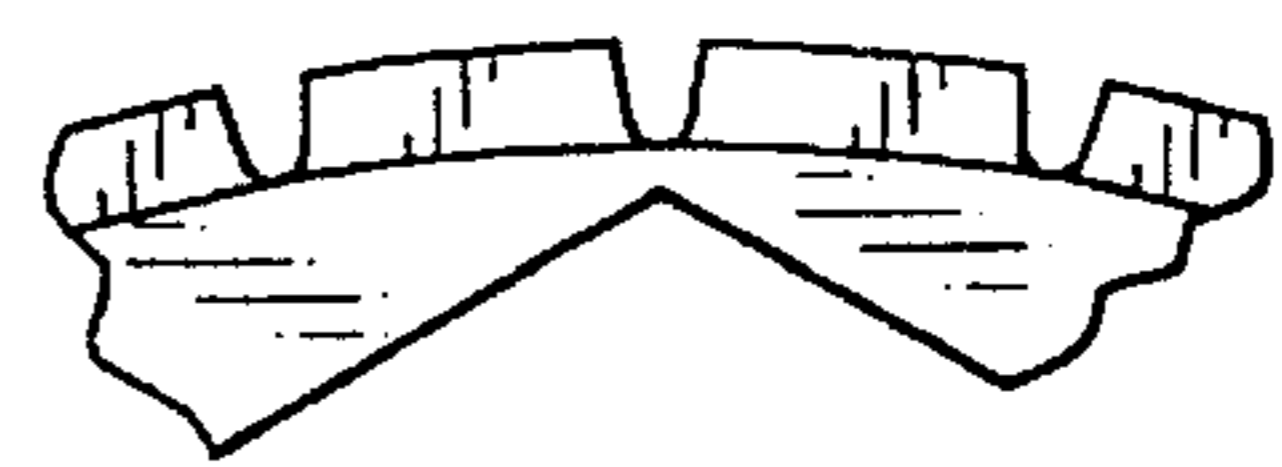


FIG. 3

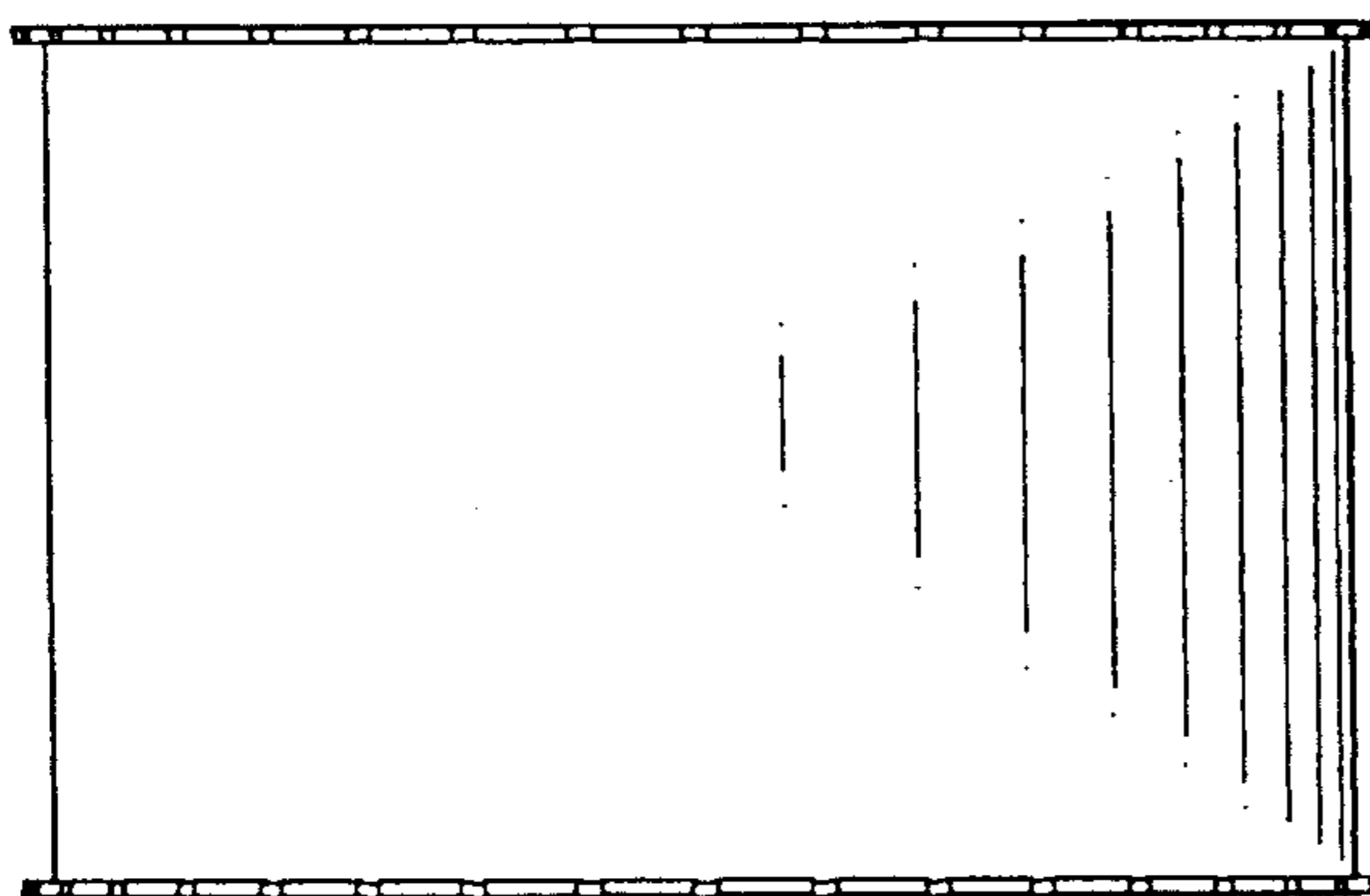


FIG. 4

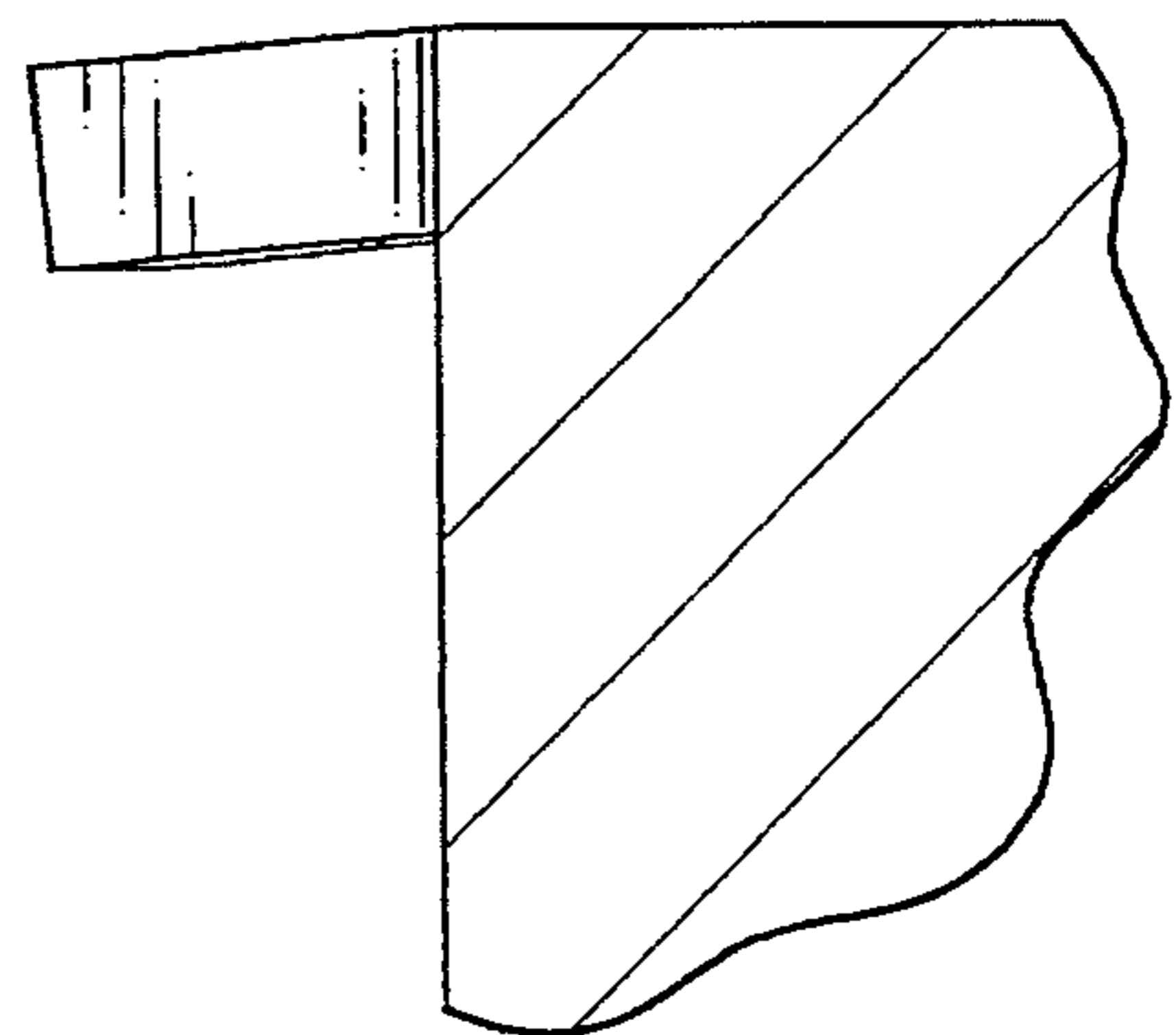


FIG. 5