



US00D376158S

United States Patent [19]

[11] Patent Number: **Des. 376,158**

Hessman et al.

[45] Date of Patent: ****Dec. 3, 1996**

[54] MILLING CUTTER BODY

FOREIGN PATENT DOCUMENTS

[75] Inventors: **Ingemar Hessman**, Sandviken; **Åke Almersand**, Årsunda, both of Sweden

674112	4/1939	Germany .
951497	12/1979	Germany .
042050	7/1980	Germany .
189159	7/1987	Sweden .
468685	7/1987	U.S.S.R. .
1113636	7/1965	United Kingdom .

[73] Assignee: **Sandvik AB**, Sandviken, Sweden

[**] Term: **14 Years**

OTHER PUBLICATIONS

[21] Appl. No.: **13,163**

[22] Filed: **Sep. 20, 1993**

[30] Foreign Application Priority Data

Mar. 18, 1993 [SE] Sweden 930669

[52] U.S. Cl. **D15/139**

[58] Field of Search D15/138, 139;
407/114-119, 46-50

Machines and Tooling (Stanki I Instrumenty), vol. 36, No. 8, 1965, Melton Mowbray GB, p. 27, Gromakov "Face Milling Cutters With Throw-Away Tips".
Mecanic, vol. 27, No. 1, 25 Jan. 1966, Berchem BE, p. 27, IHS "Le Fraisage Moderne".

Primary Examiner—Antoine Duval Davis
Attorney, Agent, or Firm—Burns, Doane, Swecker & Mathis, L.L.P.

[56] References Cited

[57] CLAIM

U.S. PATENT DOCUMENTS

The ornamental design for a milling cutter body, as shown and described.

2,584,449	2/1952	Hoglund .	
2,690,610	10/1954	Begle et al. .	
3,162,929	12/1964	Horne et al. .	
3,716,900	2/1973	Erkfritz	407/46 XZ
3,802,043	4/1974	Garih .	
4,092,082	5/1978	Severson	407/46 XZ
4,202,650	5/1980	Erickson	407/46
4,566,826	1/1986	Dickinson .	
4,936,718	6/1990	Proffitt .	
4,993,890	2/1991	Tukala et al.	407/46 X

DESCRIPTION

FIG. 1 is a perspective view for a milling cutter body showing our new design;
FIG. 2 is a side view of the fully assembled milling cutter body of FIG. 1; and,
FIG. 3 is a top view thereof.

1 Claim, 2 Drawing Sheets

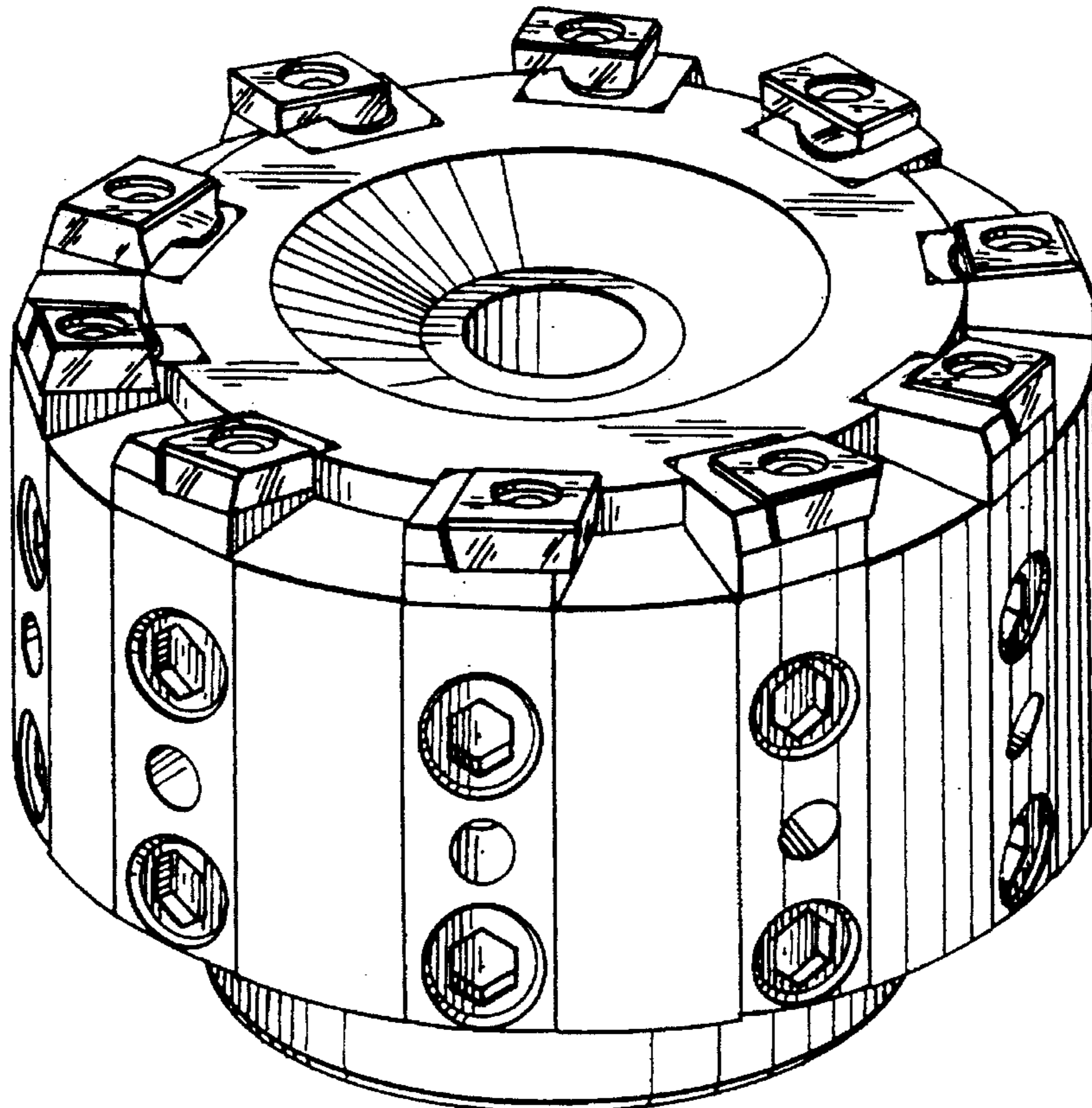


Fig. 1

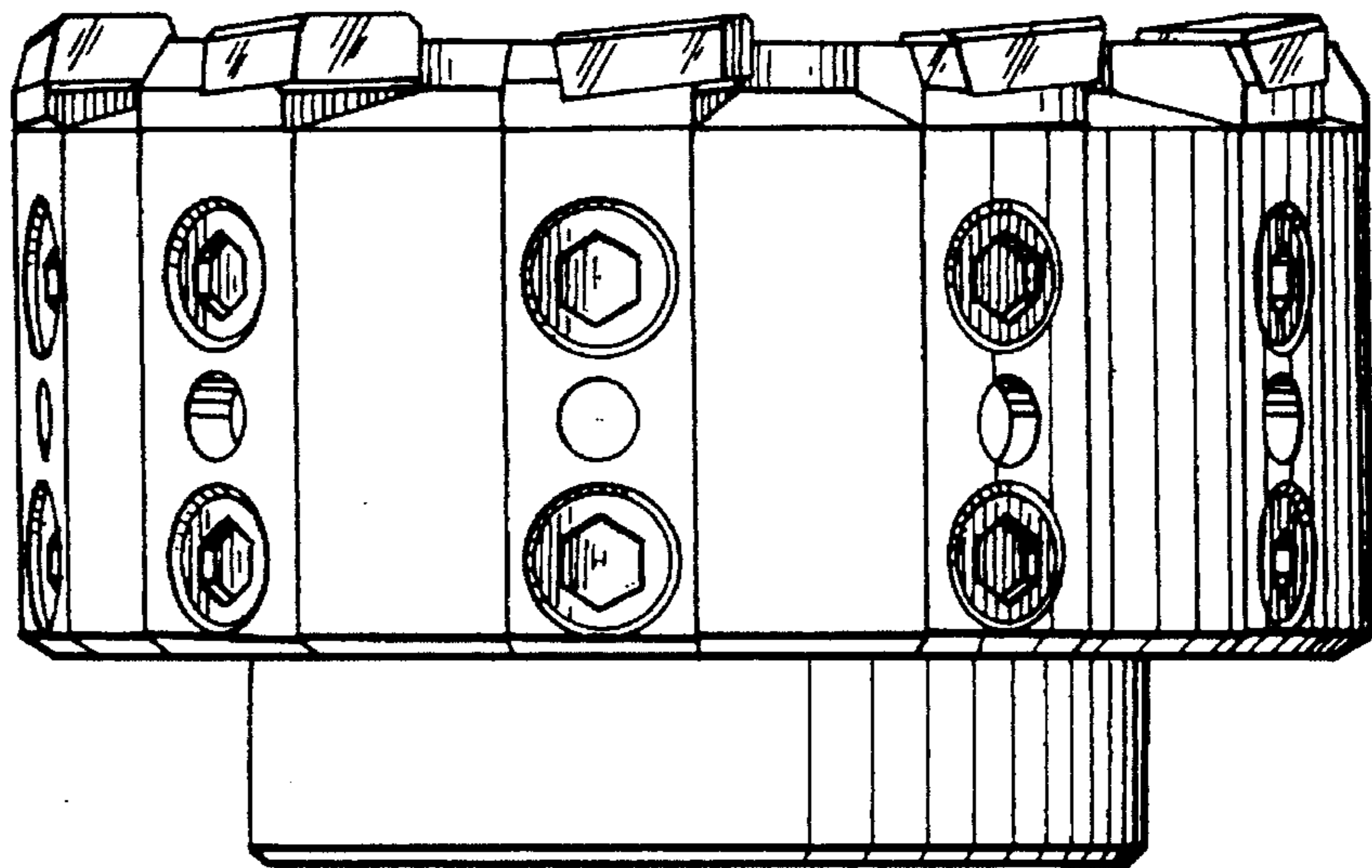
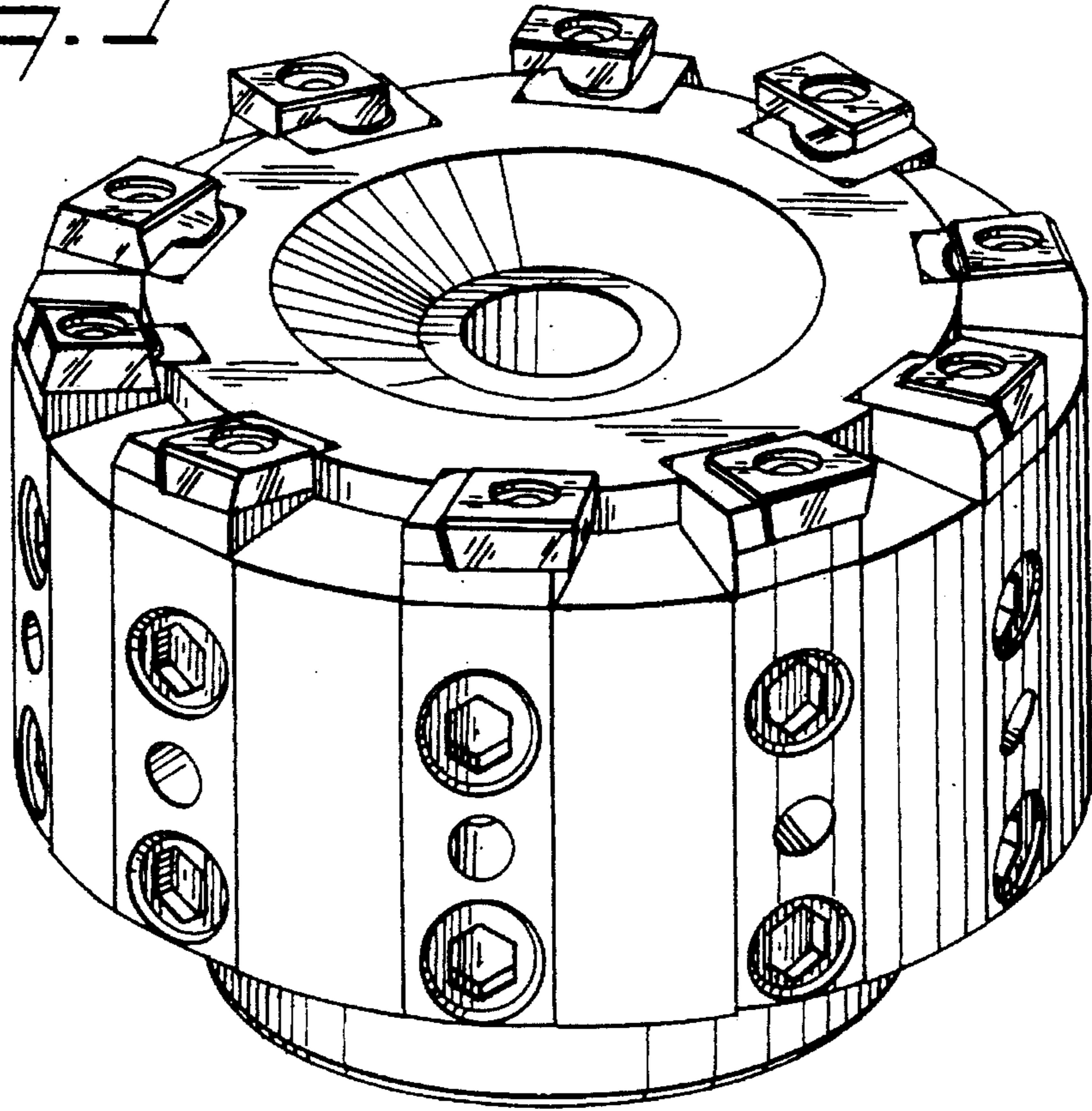


Fig. 2

FIG. 3

