



US00D376156S

**United States Patent** [19]  
**Stevenson**

[11] **Patent Number: Des. 376,156**  
[45] **Date of Patent: \*\*Dec. 3, 1996**

[54] **MANUAL REFRIGERATION APPARATUS**

5,365,750 11/1994 Greenthal ..... 62/293  
5,372,017 12/1994 Zorea et al. .... 62/457.9

[76] Inventor: **Robert L. Stevenson**, 1624 Cessford St., Lake Charles, La. 70601

**FOREIGN PATENT DOCUMENTS**

[\*\*] Term: **14 Years**

2380076 9/1978 France .  
654236 3/1979 U.S.S.R. .  
848907 7/1981 U.S.S.R. .  
979802 12/1982 U.S.S.R. .  
622043 4/1949 United Kingdom ..... 62/115

[21] Appl. No.: **41,354**

[22] Filed: **Jul. 12, 1995**

[52] **U.S. Cl.** ..... **D15/79**

[58] **Field of Search** ..... D15/79-86, 89;  
62/246-254, 293, 441, 444, 445, 457.1-457.9

*Primary Examiner*—Sandra L. Morris  
*Attorney, Agent, or Firm*—Richard C. Litman

[57] **CLAIM**

The ornamental design for a manual refrigeration apparatus, as shown and described.

[56] **References Cited**

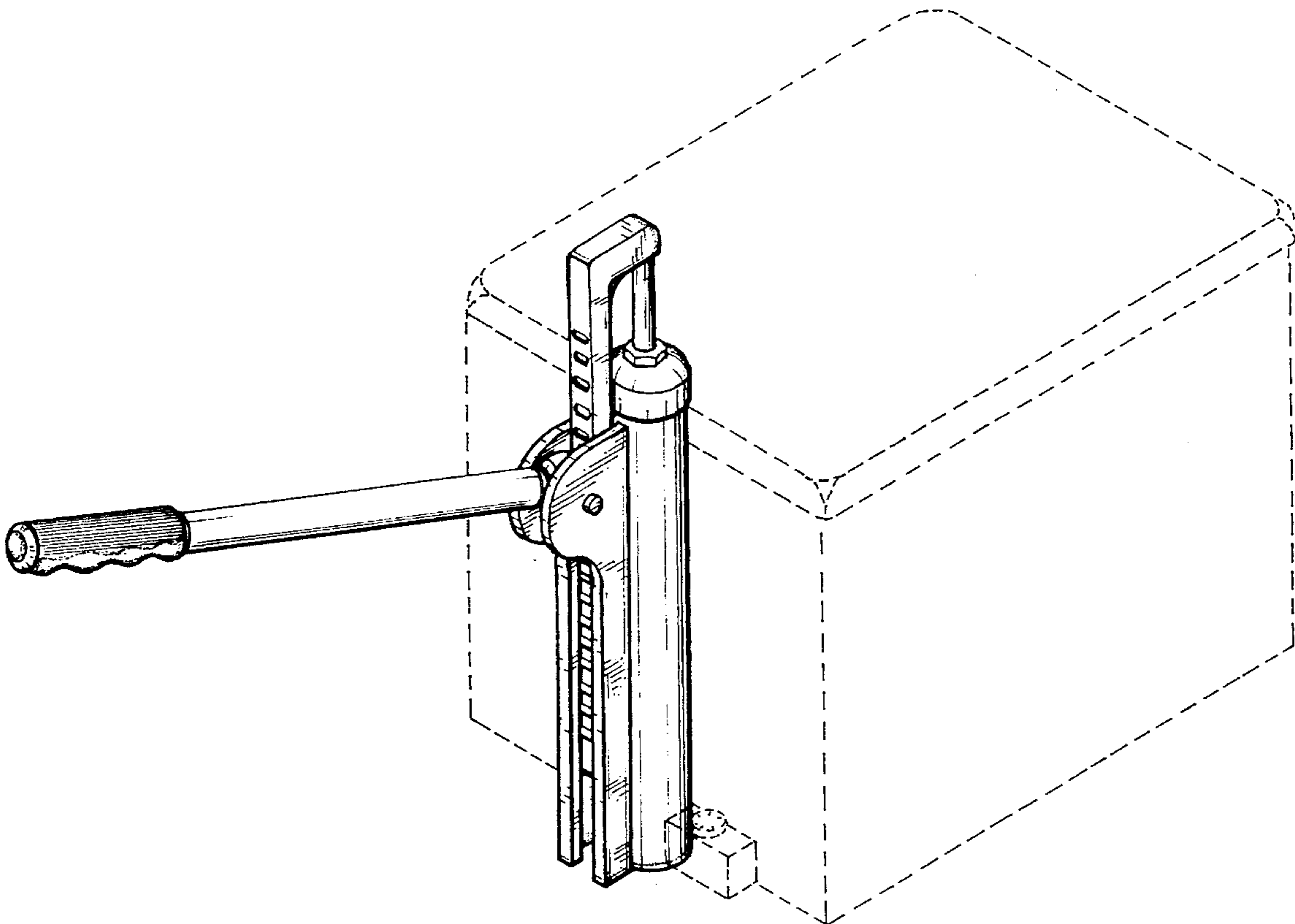
**U.S. PATENT DOCUMENTS**

3,213,635	10/1965	Jacobs	62/77
3,412,569	11/1968	Arledge, Jr.	62/115
3,950,963	4/1976	Sutherland	62/293
4,006,606	2/1977	Underdue	62/449
4,058,384	11/1977	Keefe	62/457
4,059,969	11/1977	Awalt, Jr.	62/238
4,103,510	8/1978	Hall	62/299
4,134,272	1/1979	Reimann	62/115
4,195,491	4/1980	Roncaglione	62/384
4,593,607	6/1986	Bennett	92/130 B
4,679,986	7/1987	Dupre	417/53
5,115,940	5/1992	Friedman	220/737
5,132,089	7/1992	Lightfoot	62/293
5,201,183	4/1993	Ramos	62/4
5,287,707	2/1994	Kitayama	62/293
5,301,852	4/1994	Mancini	222/321
5,363,665	11/1994	Sundman	62/125

**DESCRIPTION**

FIG. 1 is a perspective view of a manual refrigeration apparatus, showing my new design;  
FIG. 2 is an enlarged front elevational view thereof;  
FIG. 3 is an enlarged rear elevational view thereof;  
FIG. 4 is an enlarged top plan view thereof; and,  
FIG. 5 is an enlarged right side elevational view, the left side being a mirror image thereof.  
The portion of FIG. 1 shown in broken lines is for illustrative purposes only and forms no part of the claimed design. The handle portion of the design is broken in FIG. 4 and 5 for clarity in the drawing views. The undisclosed bottom of the design is devoid of ornamental features.

**1 Claim, 3 Drawing Sheets**



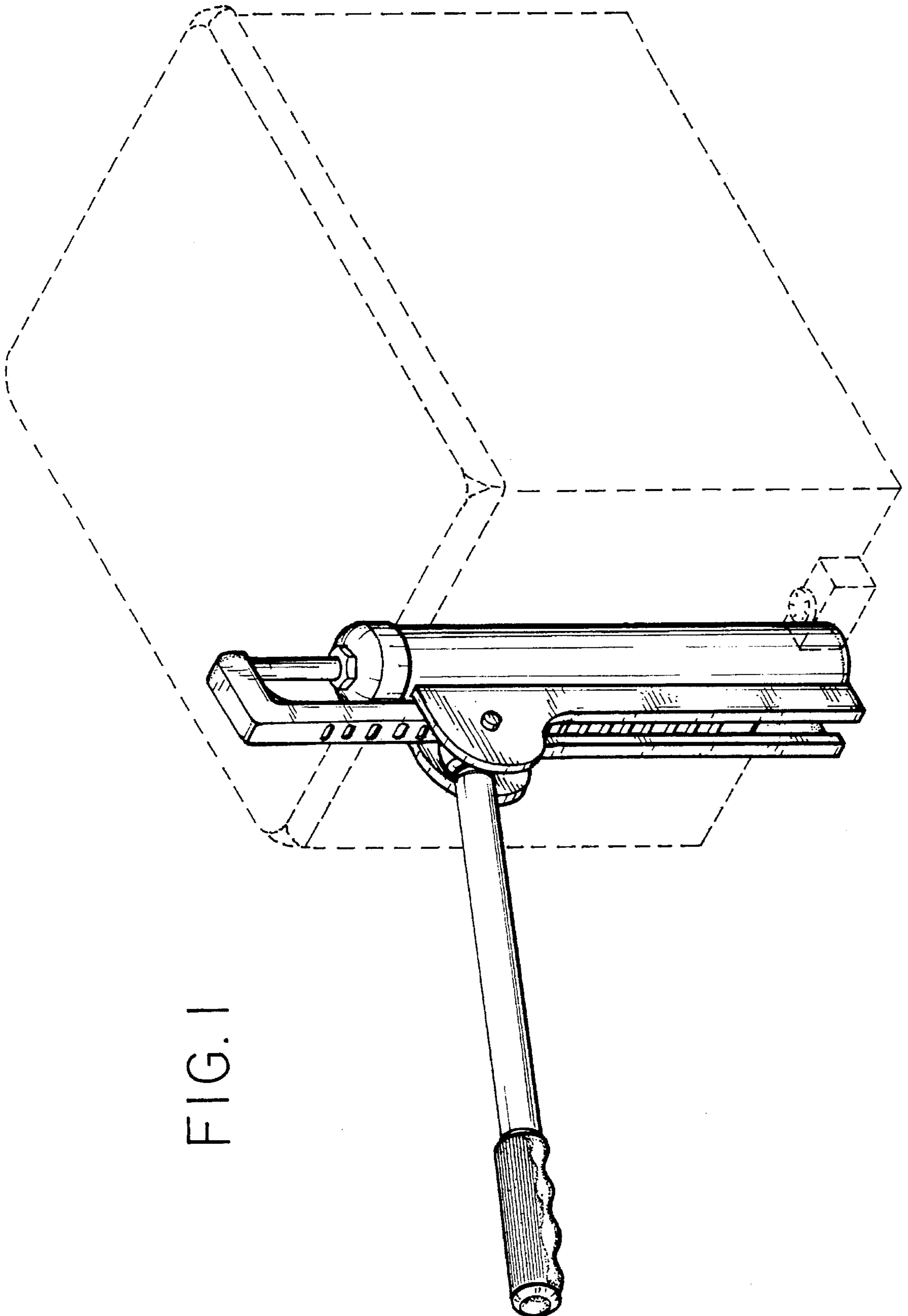


FIG. 1

FIG. 2

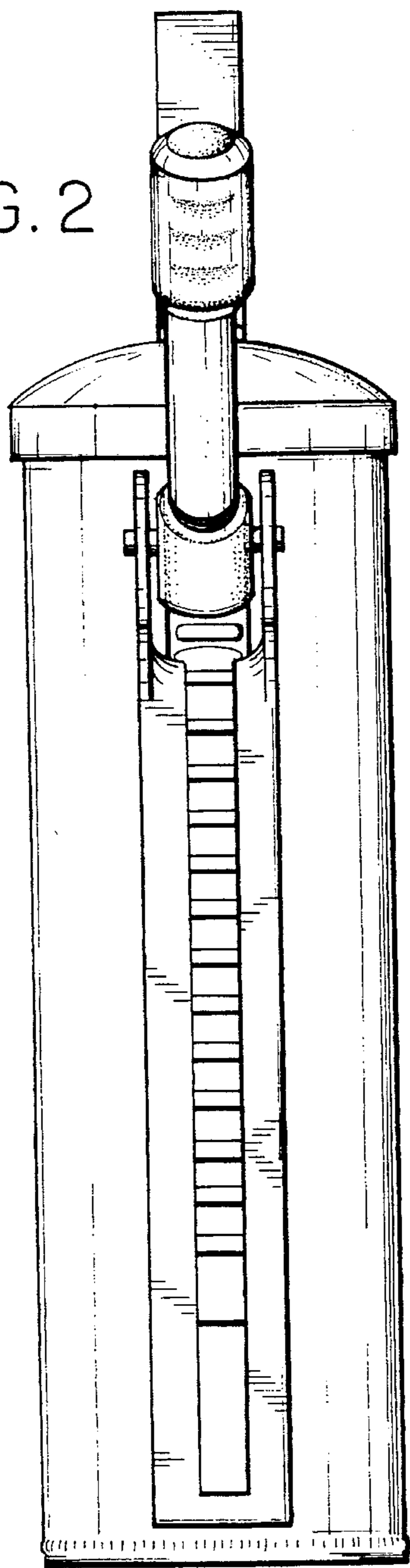


FIG. 3

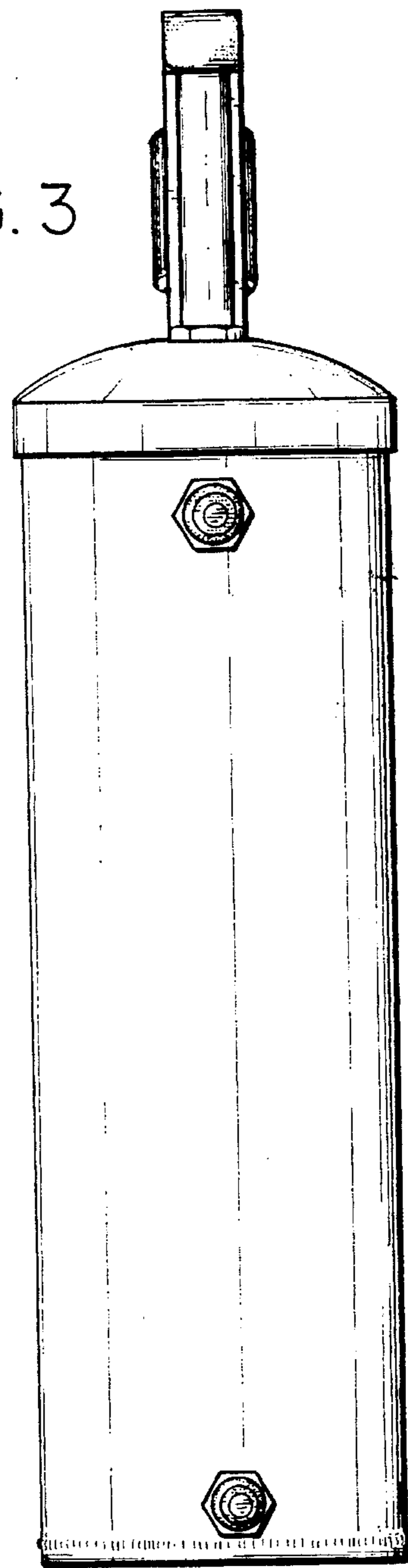


FIG. 4

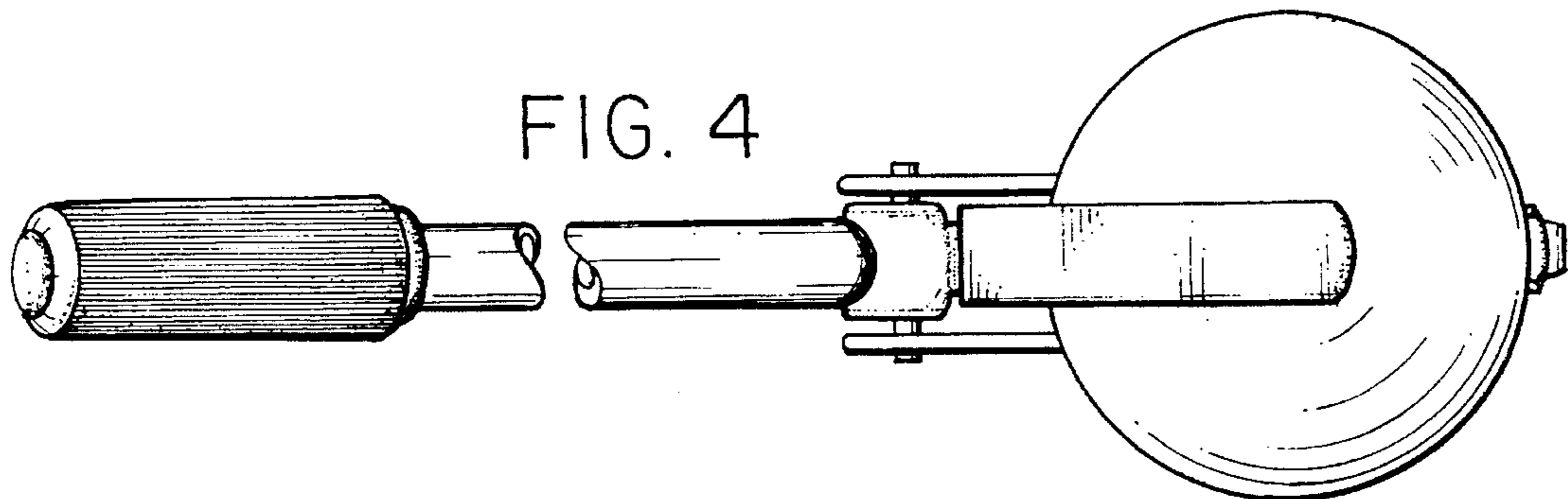


FIG. 5

