



US00D376155S

# United States Patent [19] Havlovitz

[11] **Patent Number:** **Des. 376,155**  
[45] **Date of Patent:** **\*\*Dec. 3, 1996**

[54] **COLLAPSIBLE SPREADER**

4,580,730 4/1986 Amerine ..... 239/687  
5,288,017 2/1994 Halovitz ..... 239/687

[75] Inventor: **Paul M. Havlovitz**, Escondido, Calif.

[73] Assignee: **Republic Tool & Mfg. Corp.**,  
Carlsbad, Calif.

[\*\*] Term: **14 Years**

*Primary Examiner*—B. J. Bullock  
*Assistant Examiner*—Richelle Shelton  
*Attorney, Agent, or Firm*—Harry Williams

[21] Appl. No.: **33,524**

[22] Filed: **Jan. 13, 1995**

[52] **U.S. Cl.** ..... **D15/13**

[58] **Field of Search** ..... D15/13; 222/162,  
222/174, 614, 624; 239/681-689

[57] **CLAIM**

The ornamental design for a collapsible spreader, as shown and described.

**DESCRIPTION**

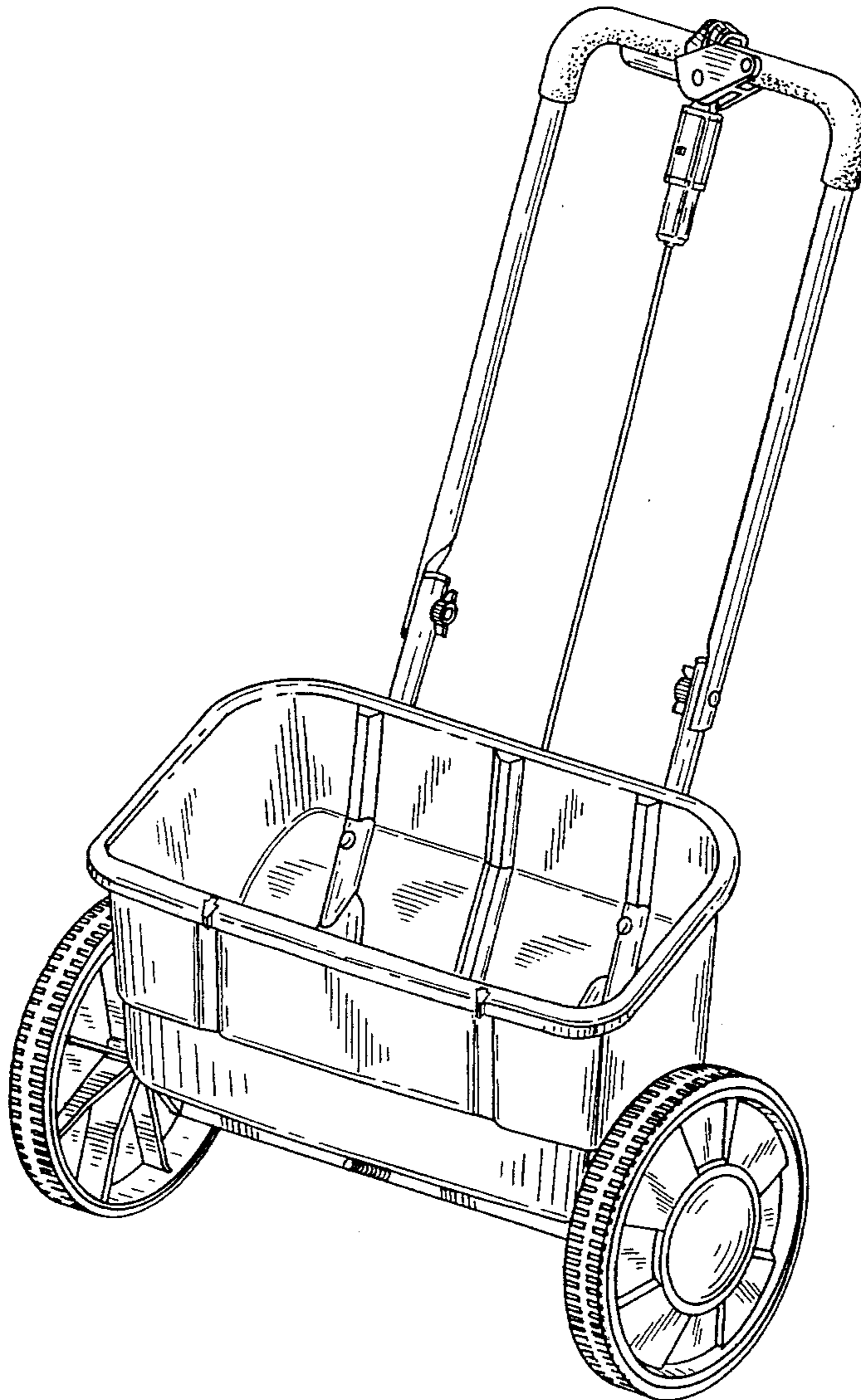
FIG. 1 is a perspective view of a collapsible spreader showing my new design;  
FIG. 2 is reduced right elevational view of FIG. 1;  
FIG. 3 is a front elevational view thereof;  
FIG. 4 is a left side elevational view thereof;  
FIG. 5 is a rear elevational view;  
FIG. 6 is a top plan view thereof; and,  
FIG. 7 is a bottom plan view thereof.

[56] **References Cited**

**U.S. PATENT DOCUMENTS**

D. 240,152	6/1976	Raffler et al. ....	D15/13
D. 338,893	8/1993	Simpson .....	D15/13
D. 338,894	8/1993	Simpson .....	D15/13
D. 359,963	7/1995	Pink et al. ....	D15/13 X

**1 Claim, 4 Drawing Sheets**



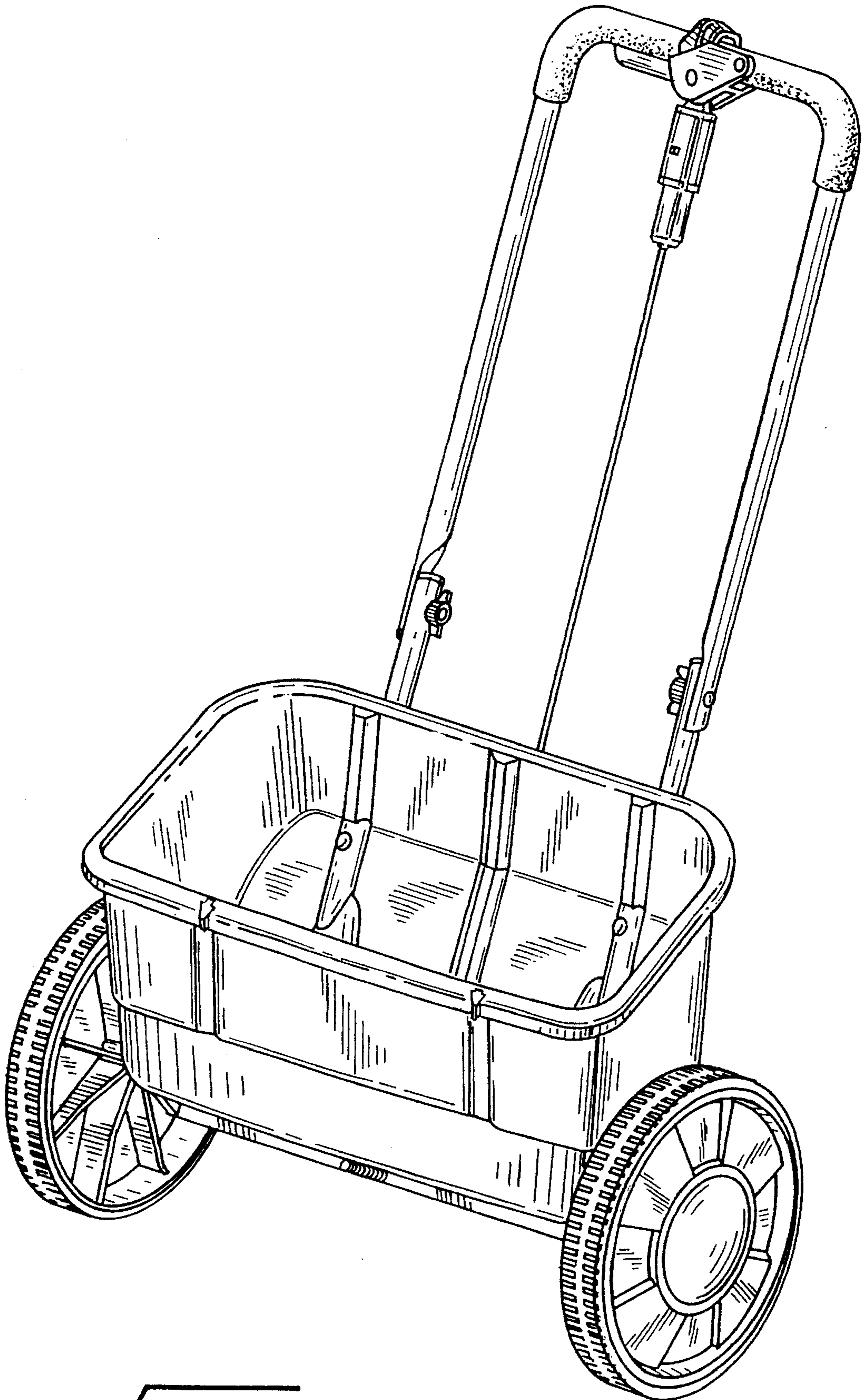


FIG. 1

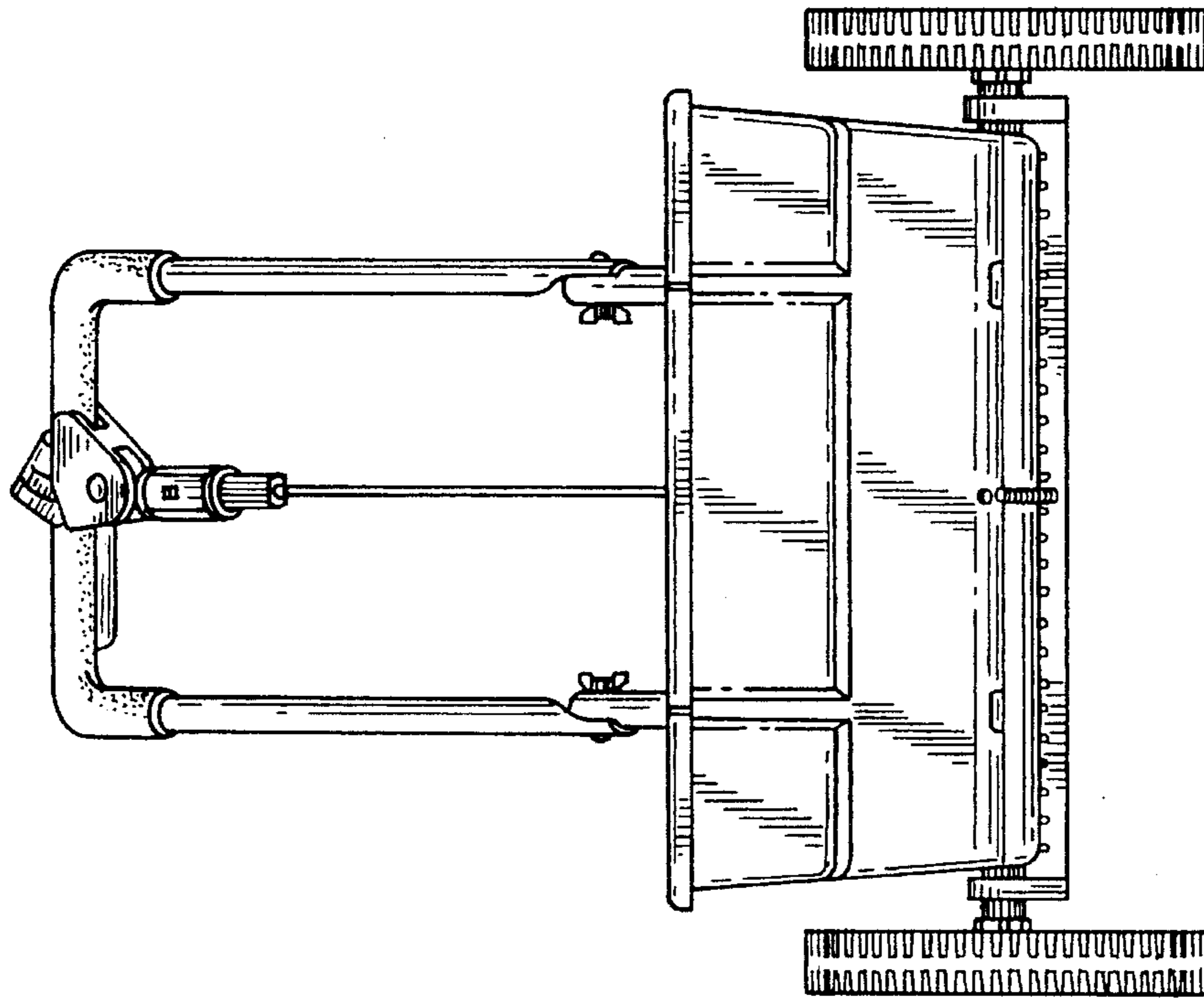


FIG. 3

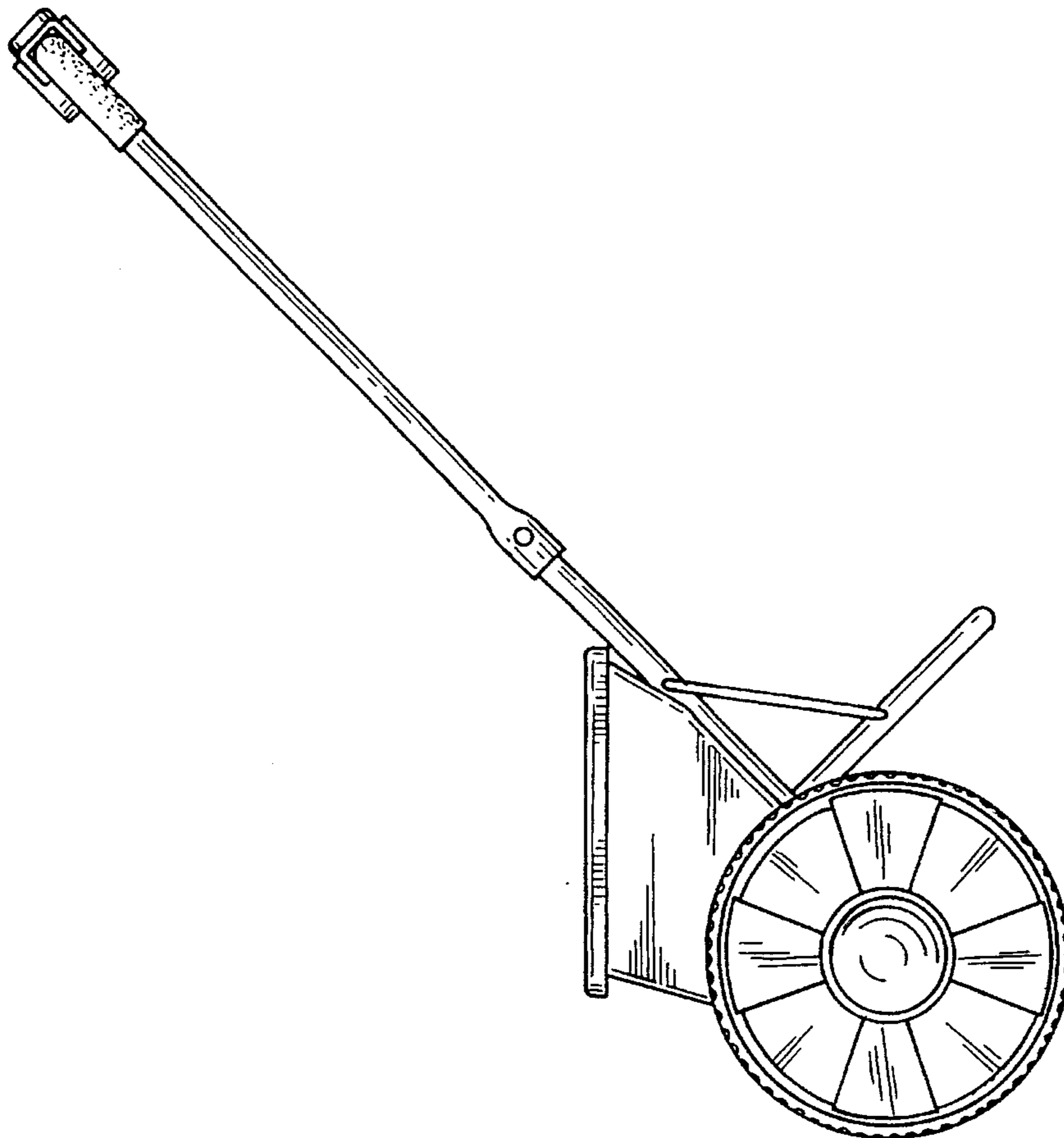


FIG. 2



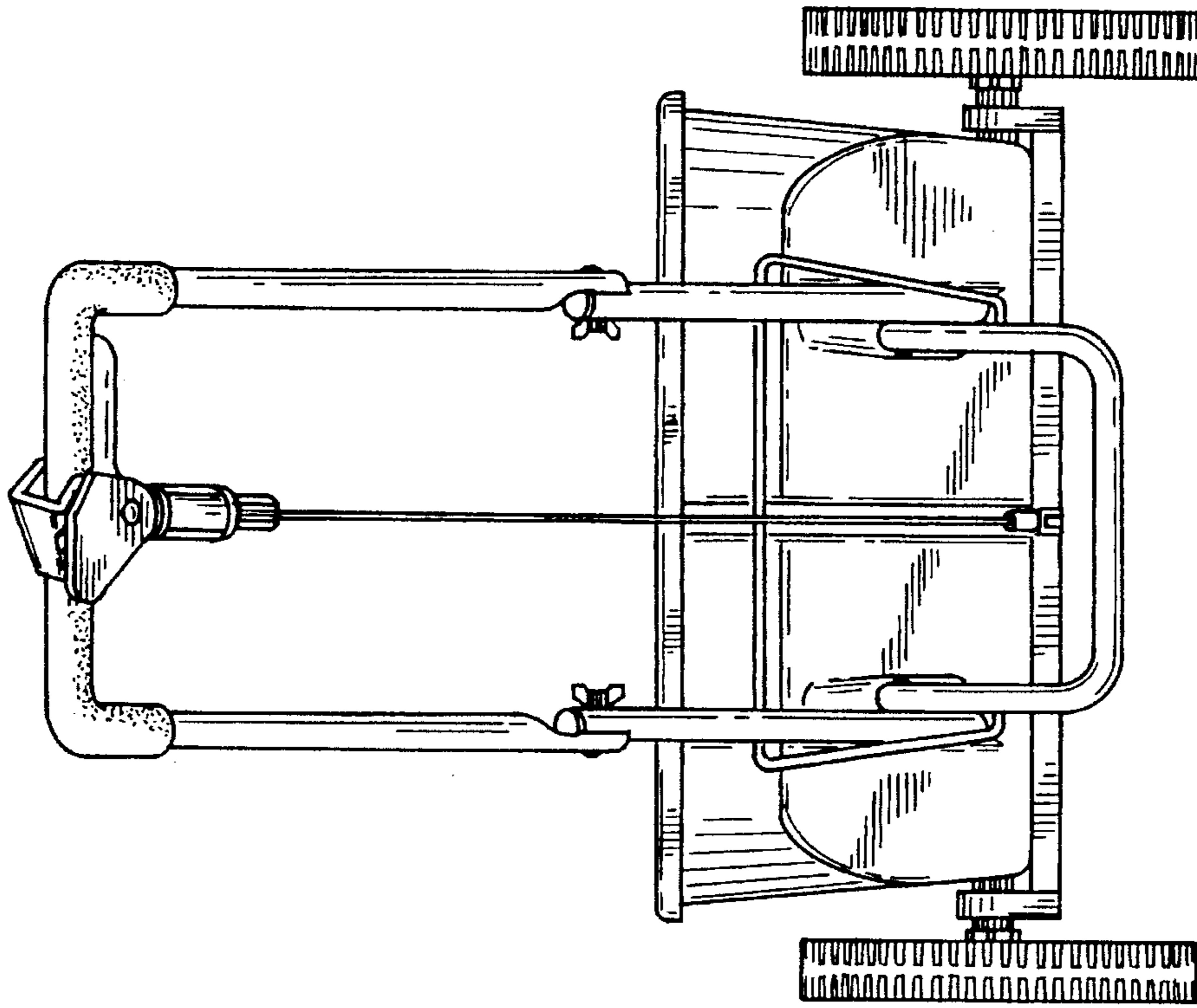


FIG. 5

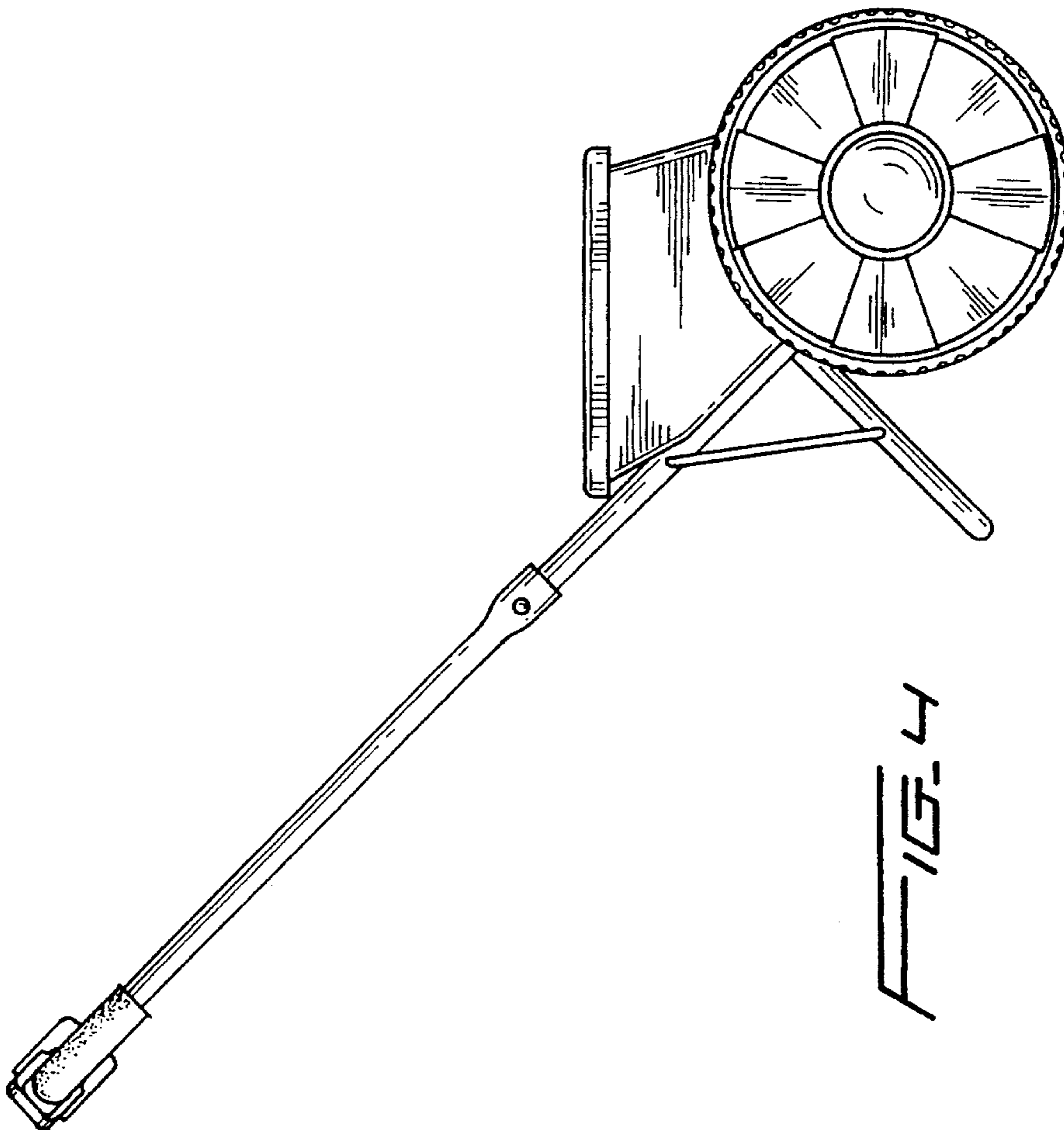


FIG. 4

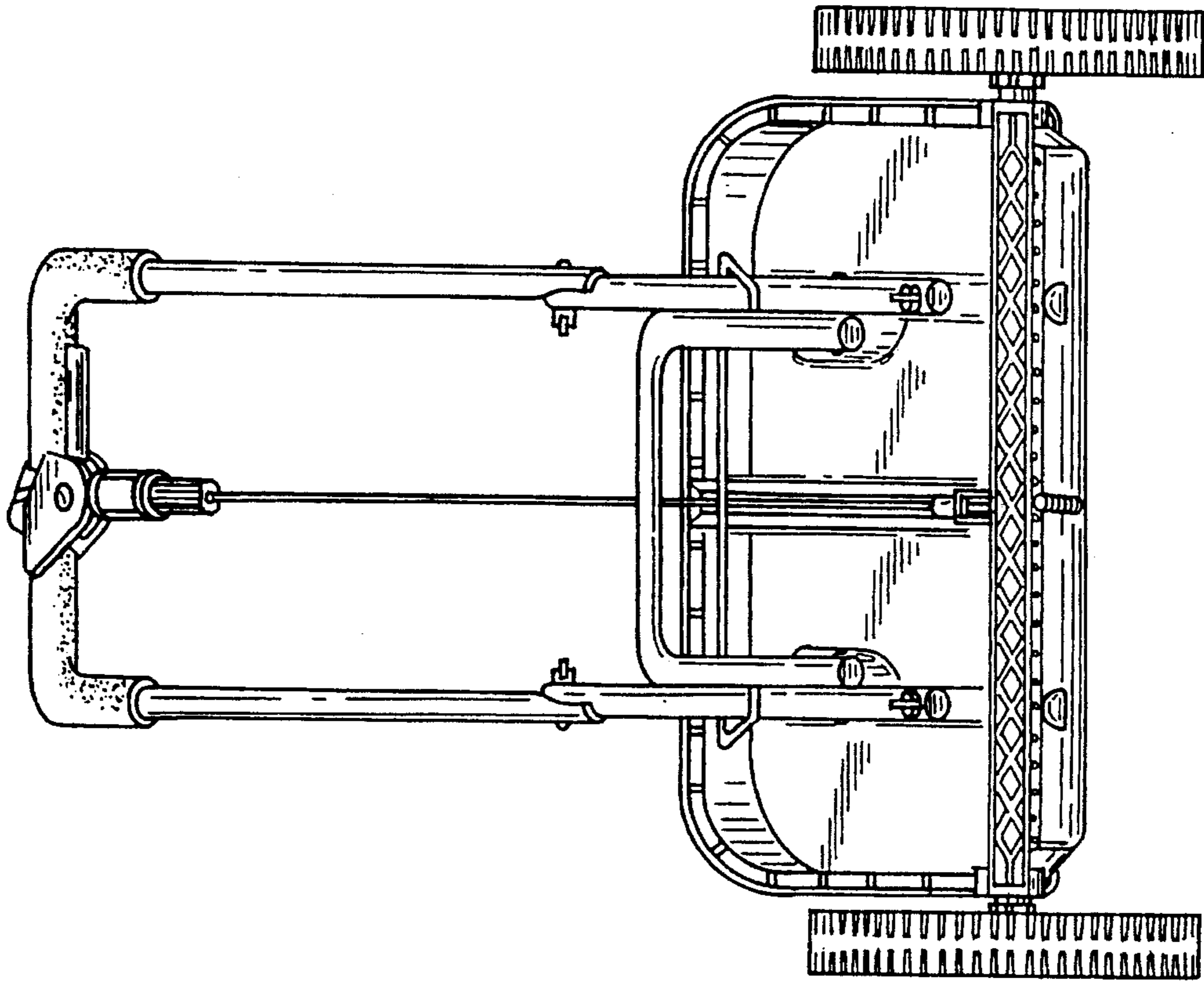


FIG. 7

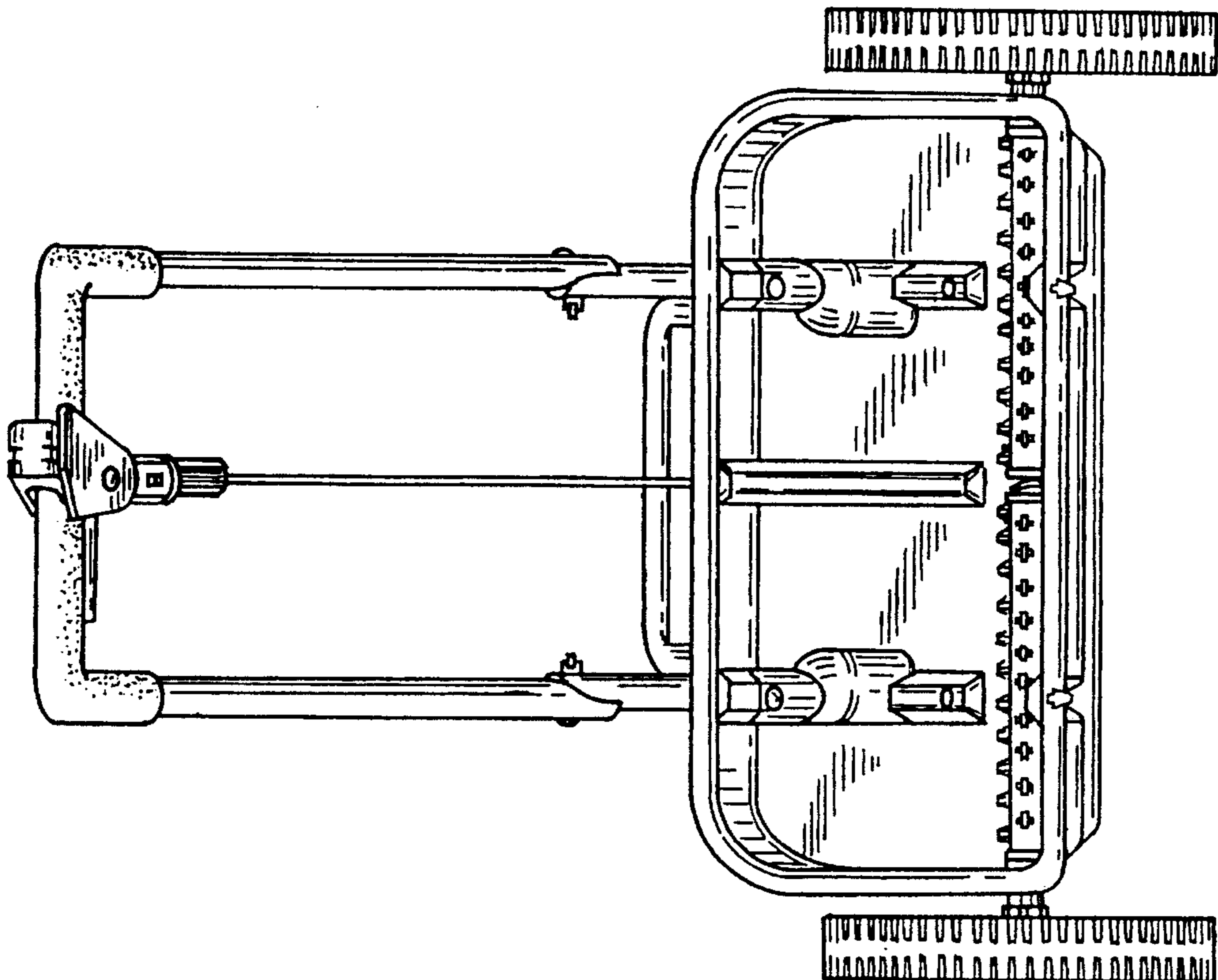


FIG. 8