



US00D376154S

United States Patent [19]

Thirumalaisamy et al.

[11] Patent Number: **Des. 376,154**

[45] Date of Patent: ****Dec. 3, 1996**

[54] **TURBINE INNER CASING**

5,385,447 1/1995 Geister 415/208.2 X

[75] Inventors: **Salaiyur N. Thirumalaisamy**, Newton;
Henry B. Faulkner, Dover, both of
Mass.

Primary Examiner—Louis S. Zarfaz
Assistant Examiner—Frank Martinez
Attorney, Agent, or Firm—Speckman, Pauley & Fejer

[73] Assignee: **Gas Research Institute**, Chicago, Ill.

[57] **CLAIM**

[**] Term: **14 Years**

The ornamental design for a turbine inner casing, as shown and described.

[21] Appl. No.: **35,202**

DESCRIPTION

[22] Filed: **Feb. 22, 1995**

[52] U.S. Cl. **D15/5**

[58] Field of Search D23/203; D15/5;
415/206, 216.1, 224.5, 206

FIG. 1 is a front perspective view of a turbine inner casing, according to one preferred embodiment of this invention; FIG. 2 is a front view of the turbine inner casing shown in FIG. 1;

FIG. 3 is a side view of the turbine inner casing shown in FIG. 1; and,

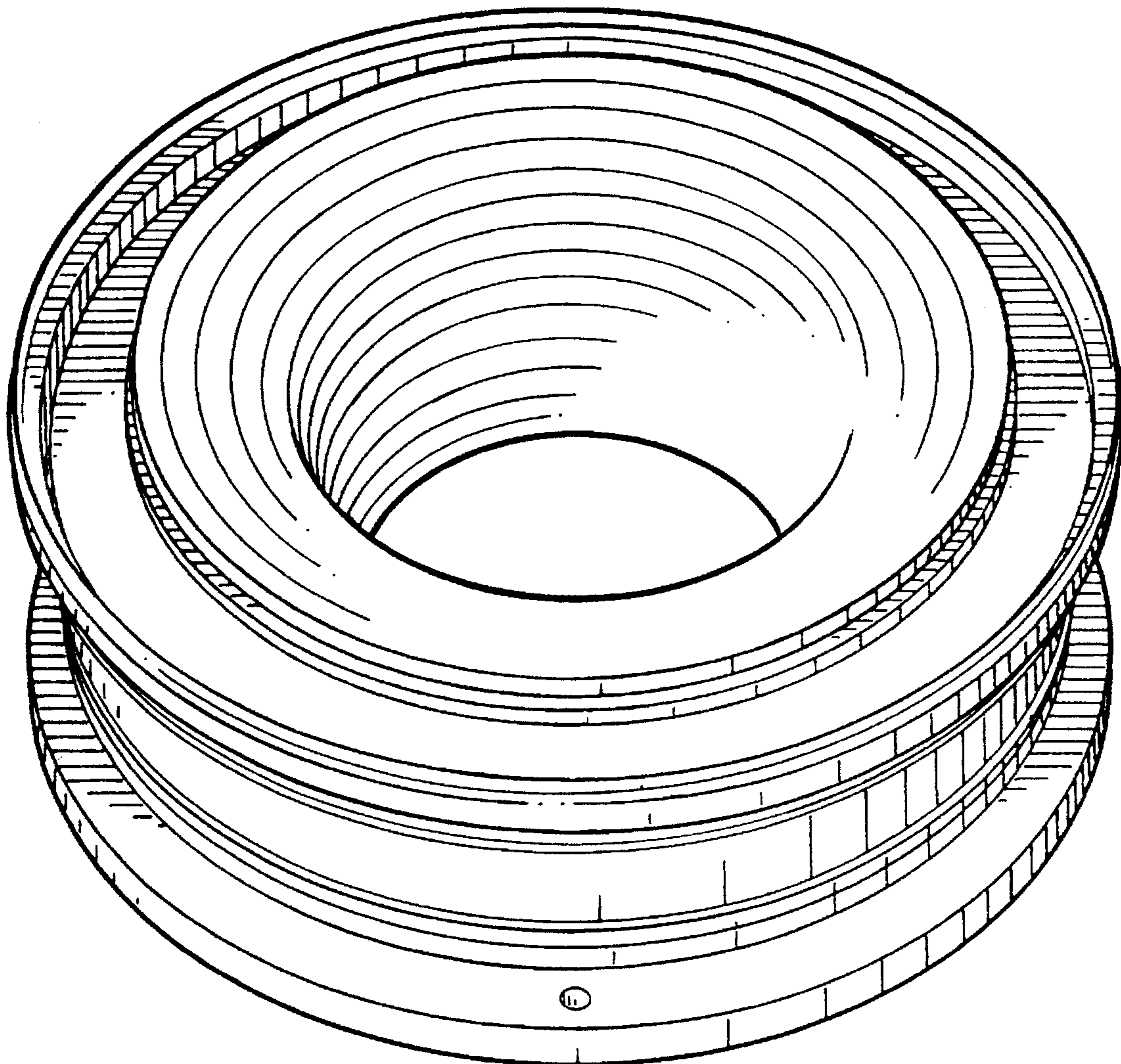
FIG. 4 is a rear view of the turbine inner casing shown in FIG. 1;

[56] **References Cited**

U.S. PATENT DOCUMENTS

3,867,655 2/1975 Stengel et al. 415/226 X
4,576,549 3/1986 Lanier 415/208.2 X
4,676,717 6/1987 Willyard, Jr. et al. 415/206 X

1 Claim, 4 Drawing Sheets



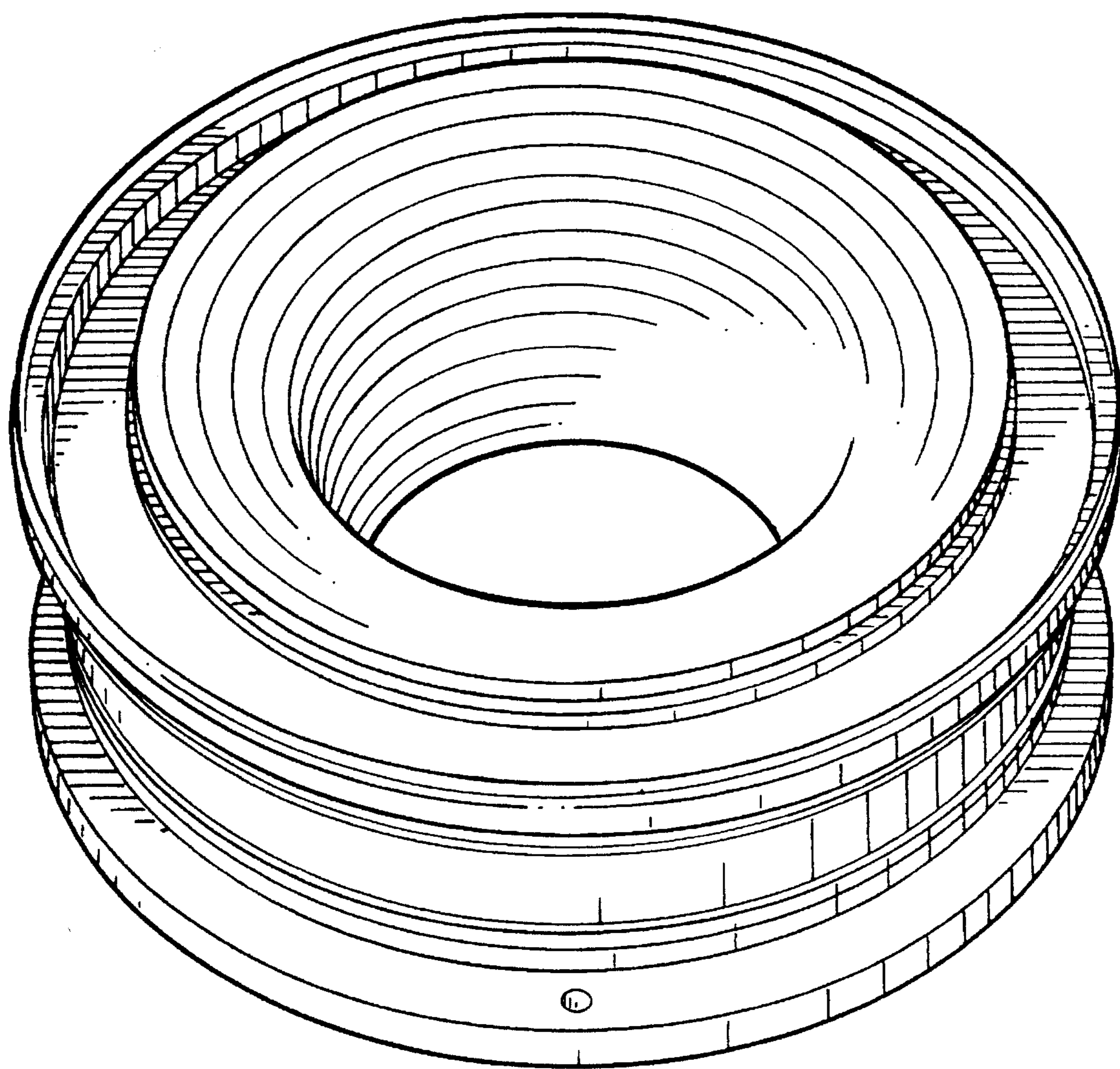


FIG. 1

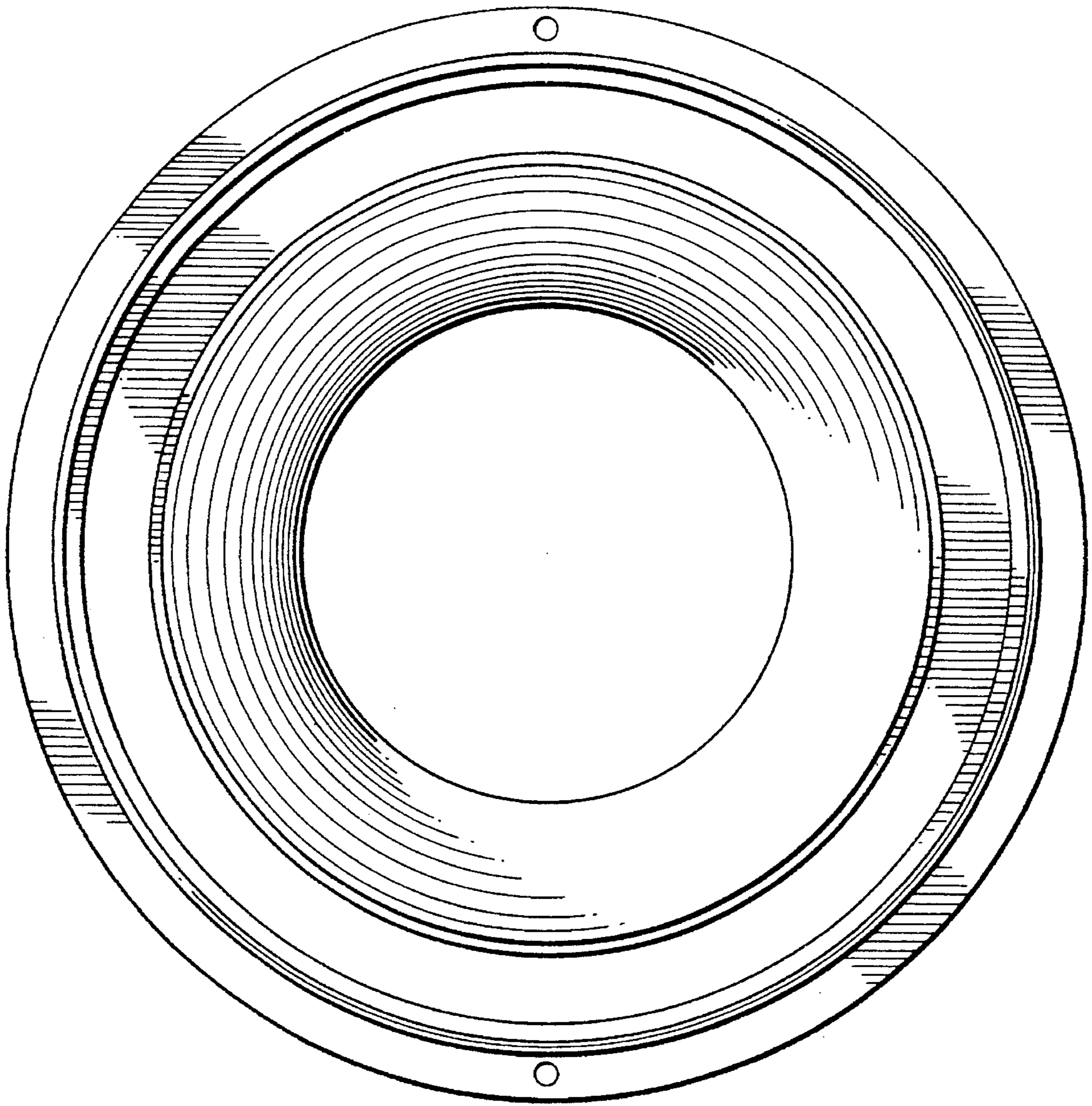


FIG. 2

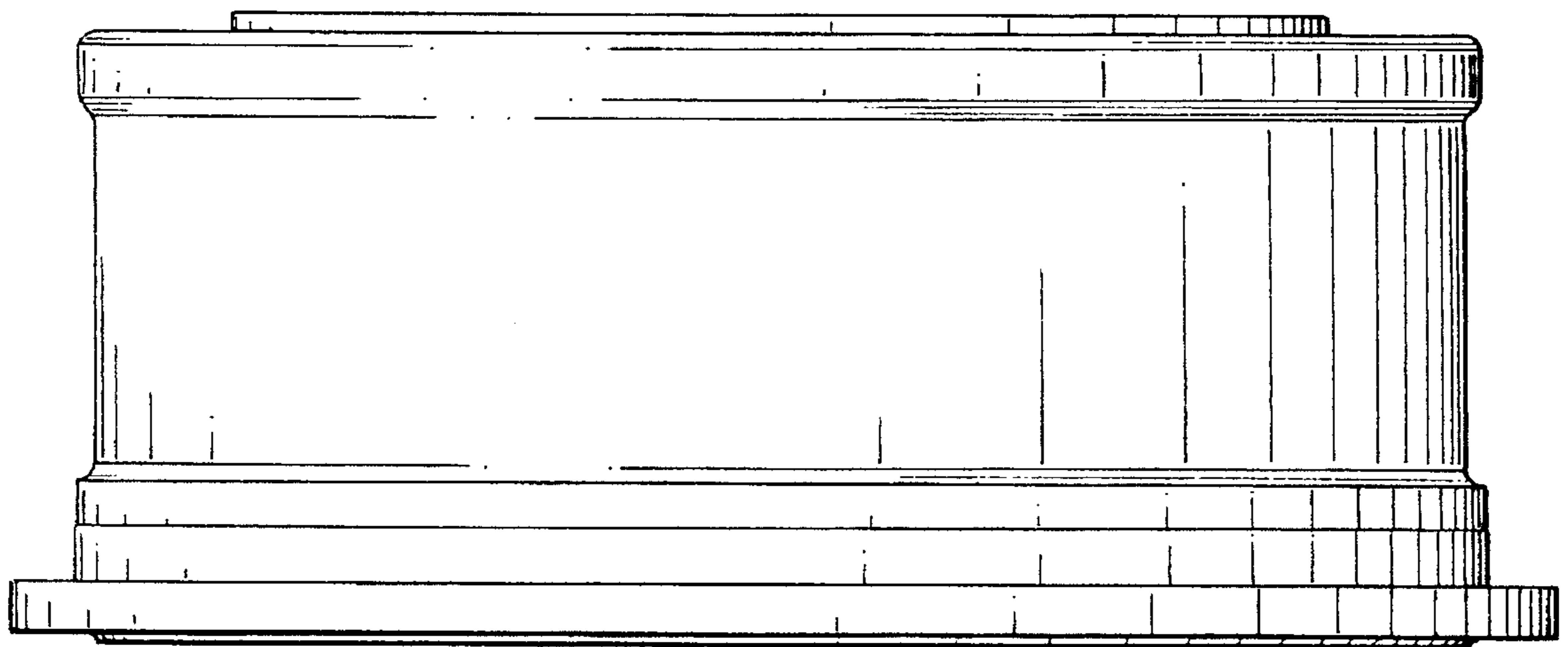


FIG. 3

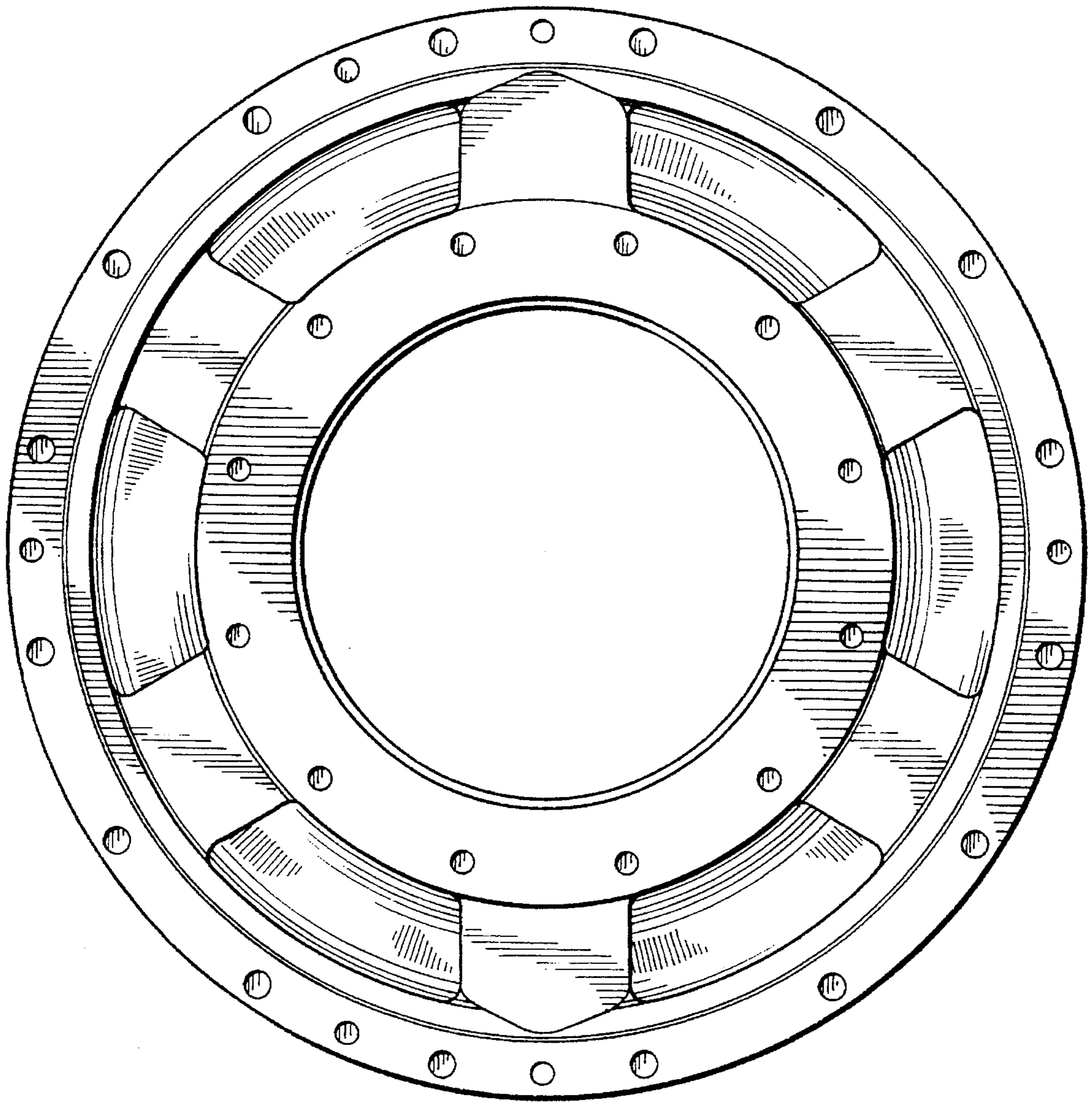


FIG. 4