



US00D376153S

United States Patent [19]

[11] **Patent Number: Des. 376,153**

Larson et al.

[45] **Date of Patent: **Dec. 3, 1996**

[54] **FRONT PANEL FOR ELECTRONIC EQUIPMENT**

D. 311,404	10/1990	Repasky	D14/156
D. 311,920	11/1990	Fuller et al.	D14/257
D. 342,954	1/1994	Lindeman	D14/137
D. 344,734	3/1994	Tokiyama et al.	D14/137
D. 358,155	5/1995	Rak et al.	D14/217

[75] Inventors: **Kenneth W. Larson**, Elmhurst;
Richard H. Gosch, Westchester, both
of Ill.

Primary Examiner—Sandra L. Morris
Attorney, Agent, or Firm—Susan L. Lukasik; Nedra D. Karim

[73] Assignee: **Motorola, Inc.**, Schaumburg, Ill.

[**] Term: **14 Years**

[57] CLAIM

[21] Appl. No.: **36,645**

The ornamental design for a front panel for electronic equipment, as shown and described.

[22] Filed: **Mar. 24, 1995**

[52] U.S. Cl. **D14/257; D14/115**

DESCRIPTION

[58] **Field of Search** D14/102, 115,
D14/137, 154-160, 175, 188, 217, 257-260,
265, 299; 379/58, 60, 167, 170, 171, 420,
422; 369/75.1, 75.2, 77.1, 77.2; 455/73,
89, 90, 128, 347, 351

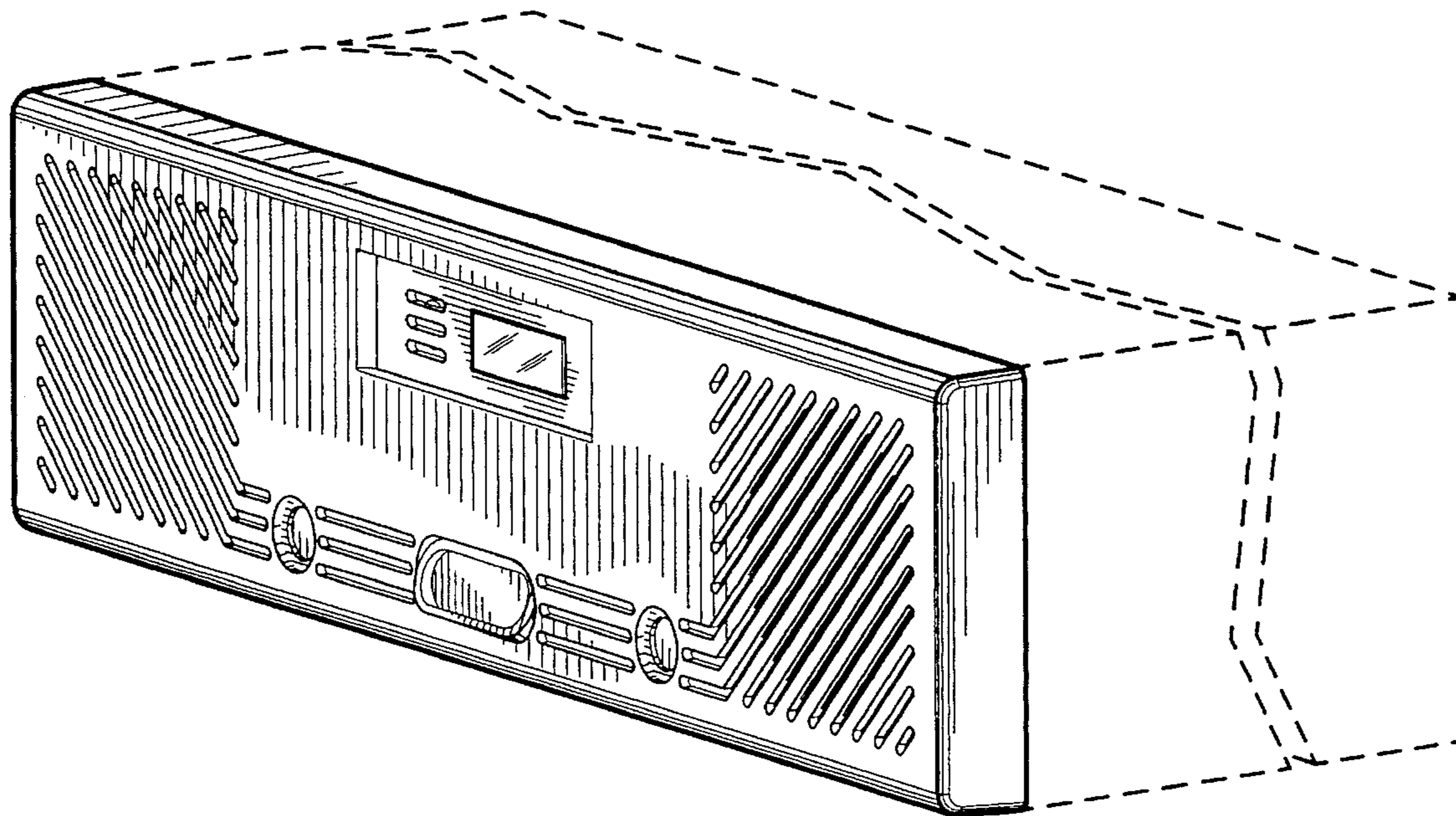
FIG. 1 is a front, top, and right side perspective view of a front panel showing our new design;
FIG. 2 is a bottom plan view thereof;
FIG. 3 is a rear elevation view thereof; and
FIG. 4 is a left side elevation view; and,
FIG. 5 is a perspective view thereof, shown without broken lines. The broken line showing is for illustrative purposes only, and forms no part of the claimed design.

[56] References Cited

U.S. PATENT DOCUMENTS

D. 284,081 6/1986 Taylor D14/137

1 Claim, 2 Drawing Sheets



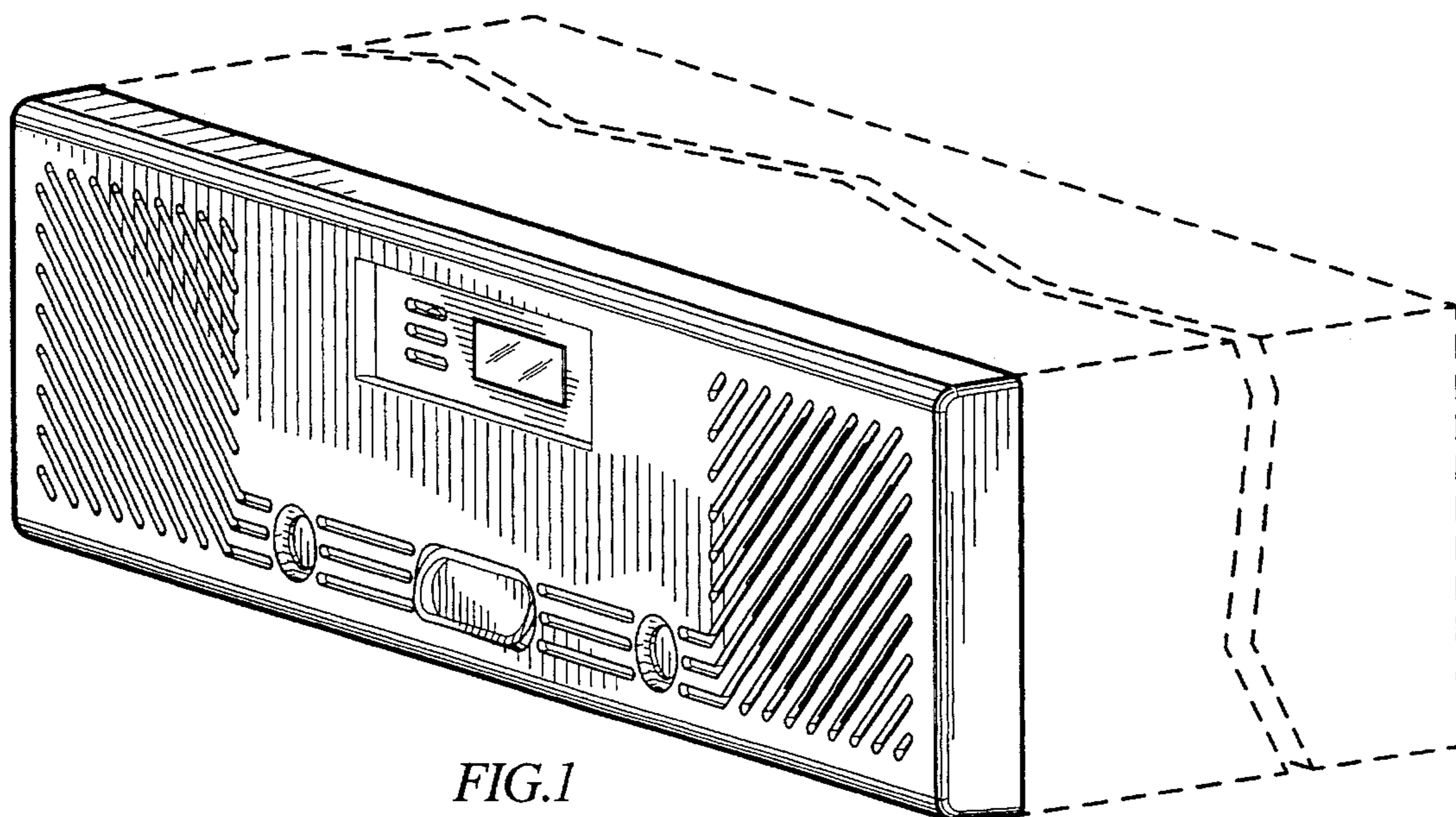


FIG.1



FIG.2



FIG.4

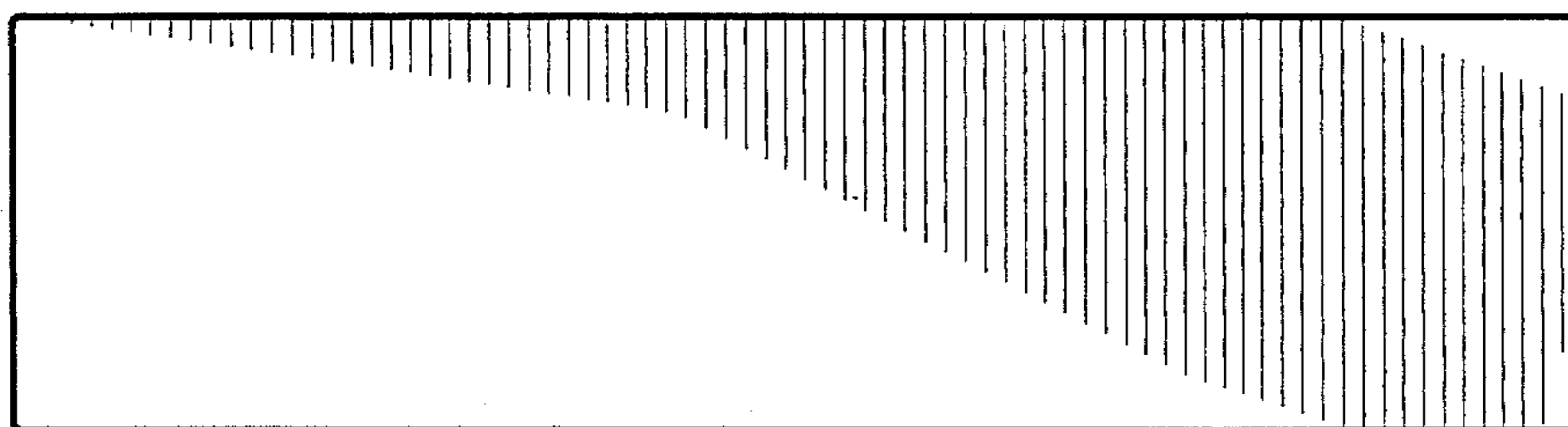


FIG.3

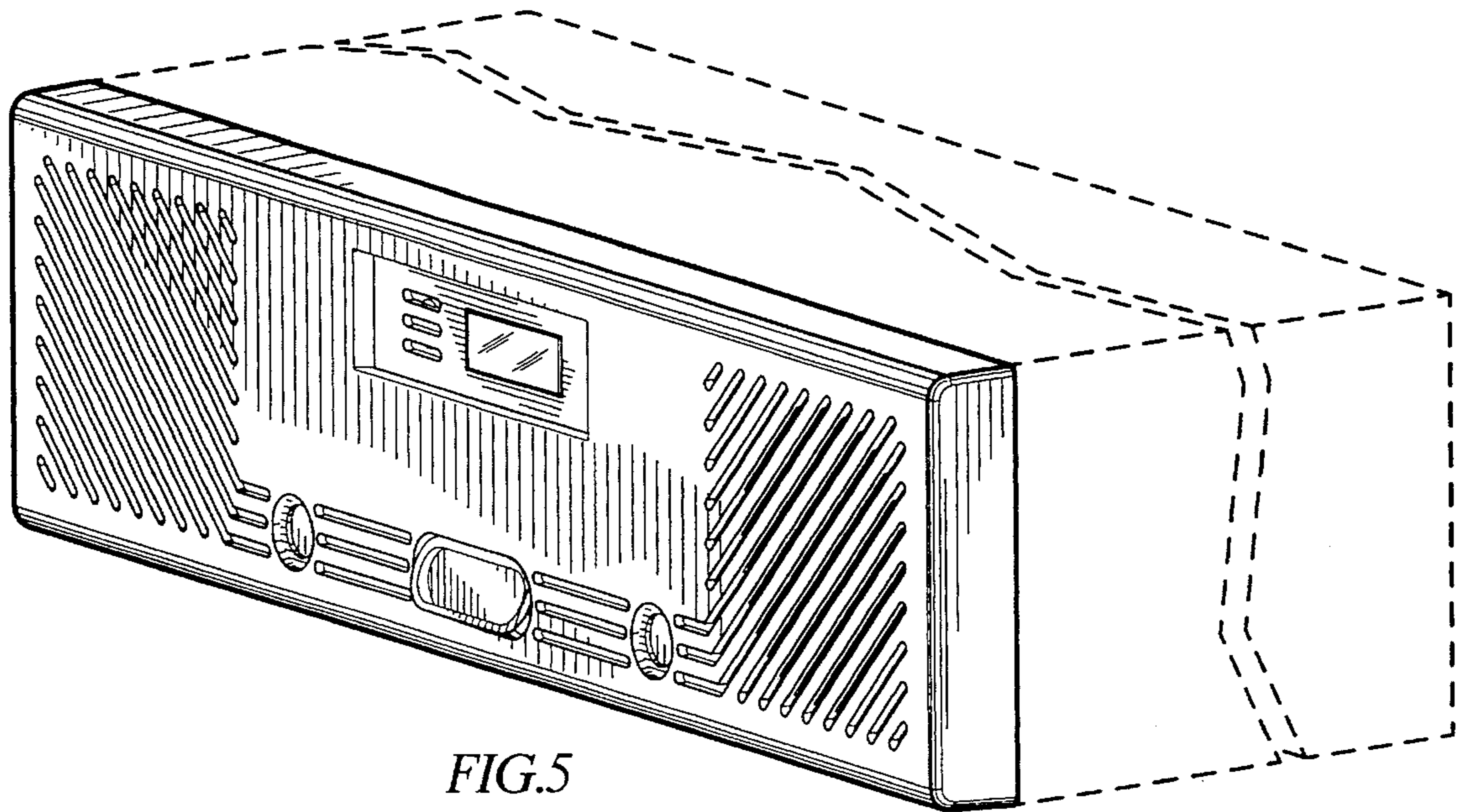


FIG.5