



US00D376152S

# United States Patent [19]

Tsuji

[11] Patent Number: Des. 376,152

[45] Date of Patent: \*\*Dec. 3, 1996

[54] AUTOMOBILE ANTENNA

[75] Inventor: Tatsuo T. Tsuji, Monterey Park, Calif.

[73] Assignee: Harada Kogyo Kabushiki Kaisha,  
Tokyo, Japan

[\*\*] Term: 14 Years

[21] Appl. No.: 7,112

[22] Filed: Feb. 11, 1993

### Related U.S. Application Data

[63] Continuation of Ser. No. 349,062, May 8, 1989, abandoned.

[52] U.S. Cl. .... D14/230

[58] Field of Search ..... D14/230-238,  
D14/299; 343/702, 705, 708, 711, 713,  
715, 720, 741, 744, 749, 752, 757, 766,  
797, 829, 840, 846, 872, 873, 878, 882,  
887, 888, 892, 900, 901, 903

### [56] References Cited

#### U.S. PATENT DOCUMENTS

2,838,953 6/1958 Cone ..... 343/903 X

Primary Examiner—Dominic Simone  
Attorney, Agent, or Firm—Koda and Androlia

### [57] CLAIM

The ornamental design for an automobile antenna, as shown and described.

### DESCRIPTION

FIG. 1 is a front elevational view of an automobile antenna showing my new design;

FIG. 2 is a right side elevational view thereof;

FIG. 3 is a rear elevational view thereof;

FIG. 4 is a bottom plan view thereof;

FIG. 5 is a top plan view thereof;

FIG. 6 is a left side elevational view thereof; and,

FIG. 7 is a top, front and left side perspective view thereof, shown with the antenna element in a raised position.

1 Claim, 2 Drawing Sheets

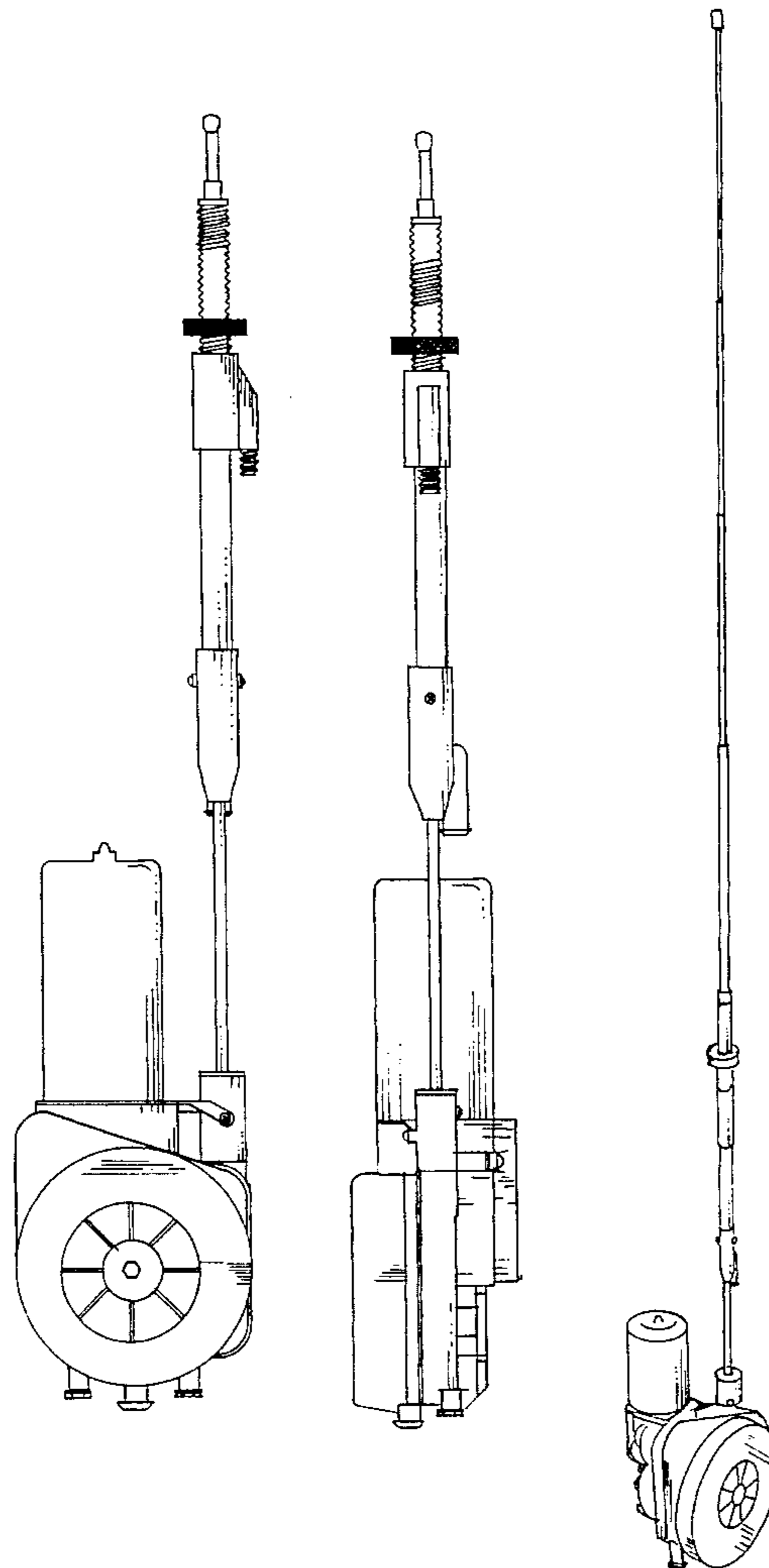


FIG. 1

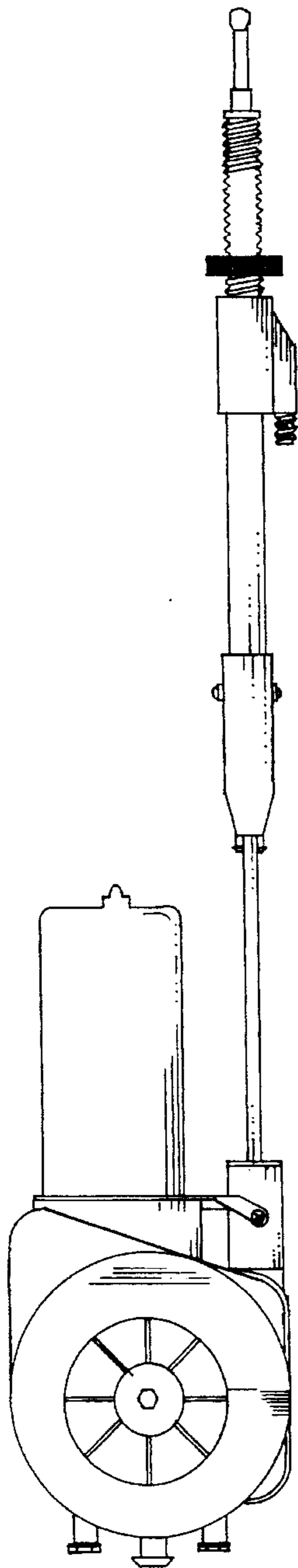


FIG. 2

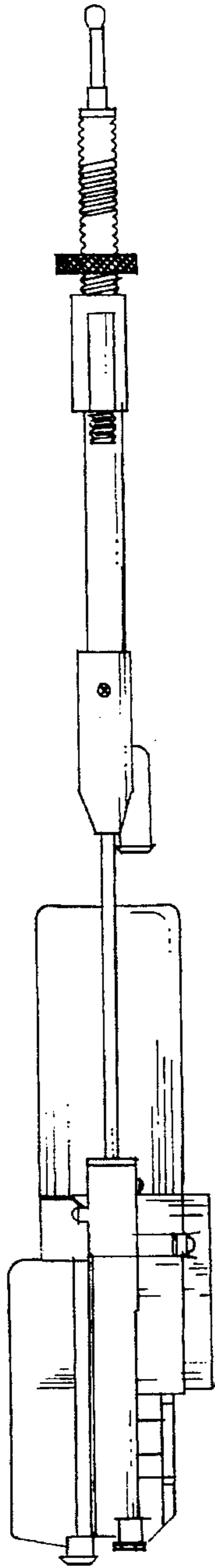


FIG. 3

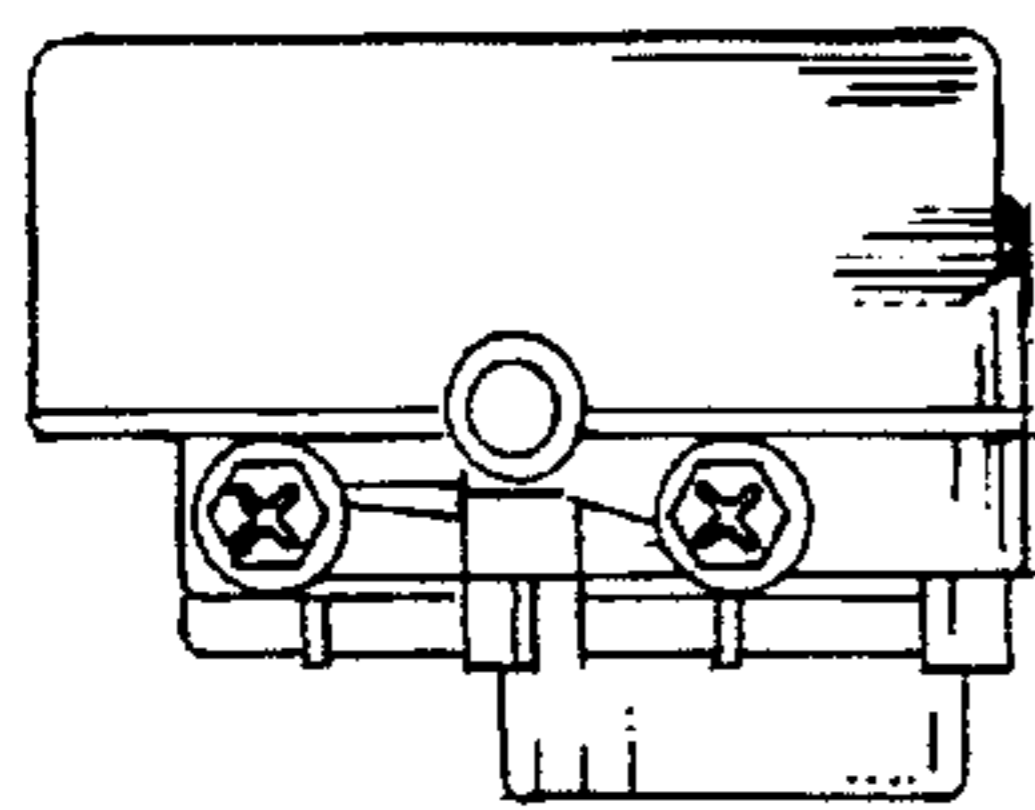
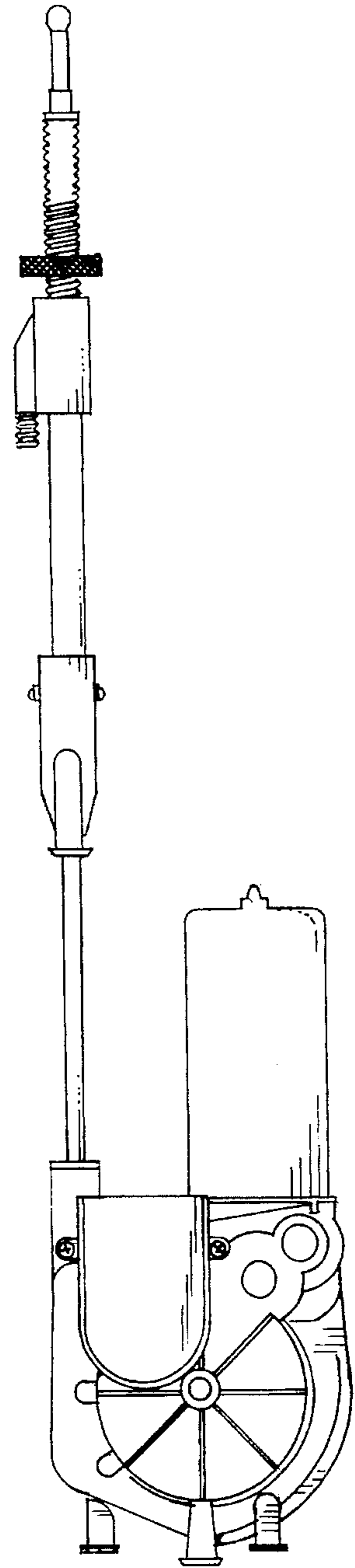


FIG. 4

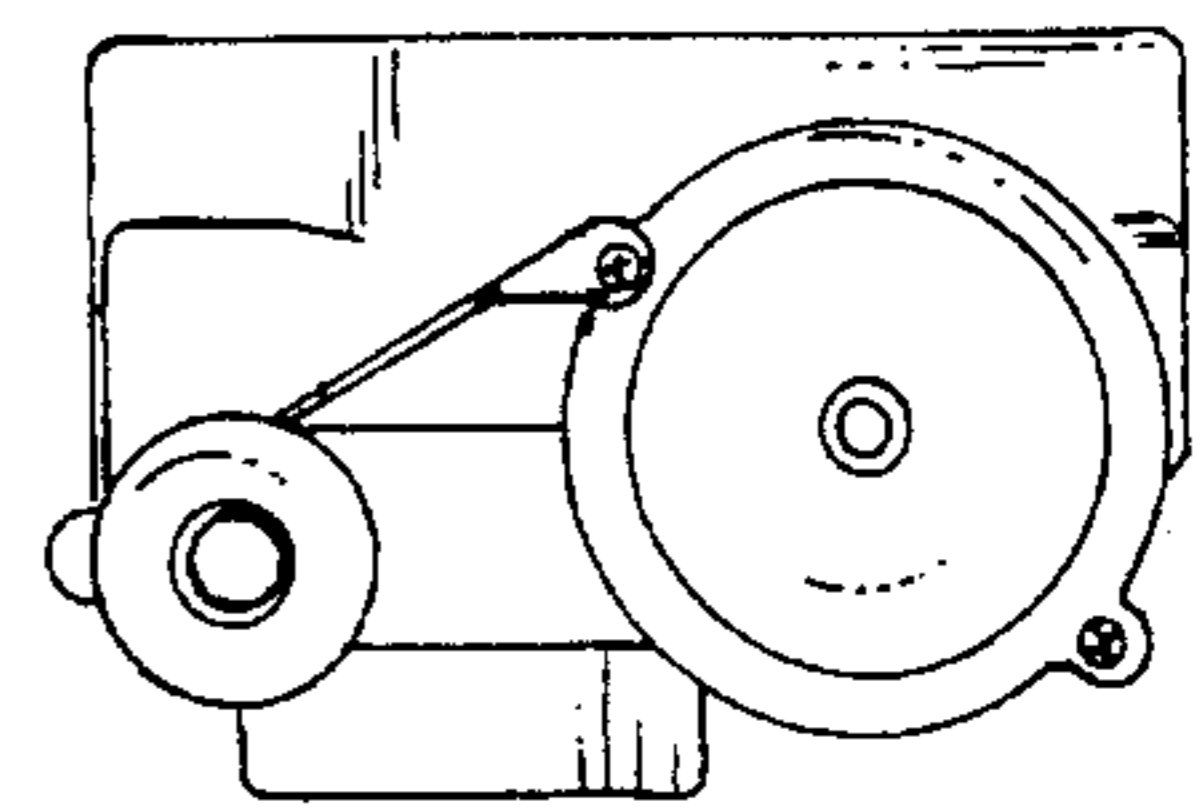


FIG. 5

FIG. 6

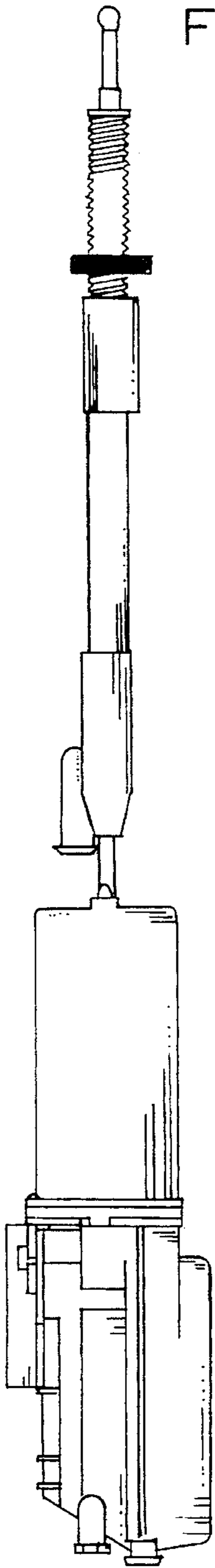


FIG. 7

