



US00D376150S

United States Patent [19]

Pesce

[11] Patent Number: **Des. 376,150**

[45] Date of Patent: ****Dec. 3, 1996**

[54] **STEREO SPEAKER ASSEMBLY FOR A PERSONAL WATER-CRAFT**

D. 304,033 10/1989 Villanueva et al. D14/157 X
5,001,779 3/1991 Eggert et al. D14/157 X

[76] Inventor: **Gary Pesce**, 14 Myra La., Burlington, Conn. 06013

Primary Examiner—Sandra L. Morris
Assistant Examiner—Nanda Bondade
Attorney, Agent, or Firm—Dallett Hoopes

[**] Term: **14 Years**

[57] **CLAIM**

[21] Appl. No.: **39,492**

The ornamental design for a stereo speaker assembly for a personal watercraft, as shown and described.

[22] Filed: **May 30, 1995**

DESCRIPTION

[52] U.S. Cl. **D14/216**; D14/213; D12/114; D12/317

[58] **Field of Search** D12/114, 317; D14/204, 207, 209–216, 219, 220–222; 181/144–145, 147–148, 153, 198–199; 381/24, 88, 90–91, 153, 159, 188

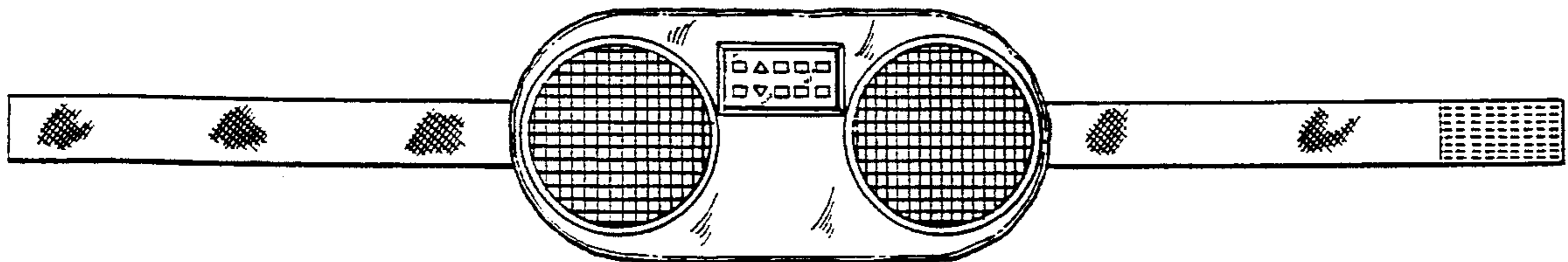
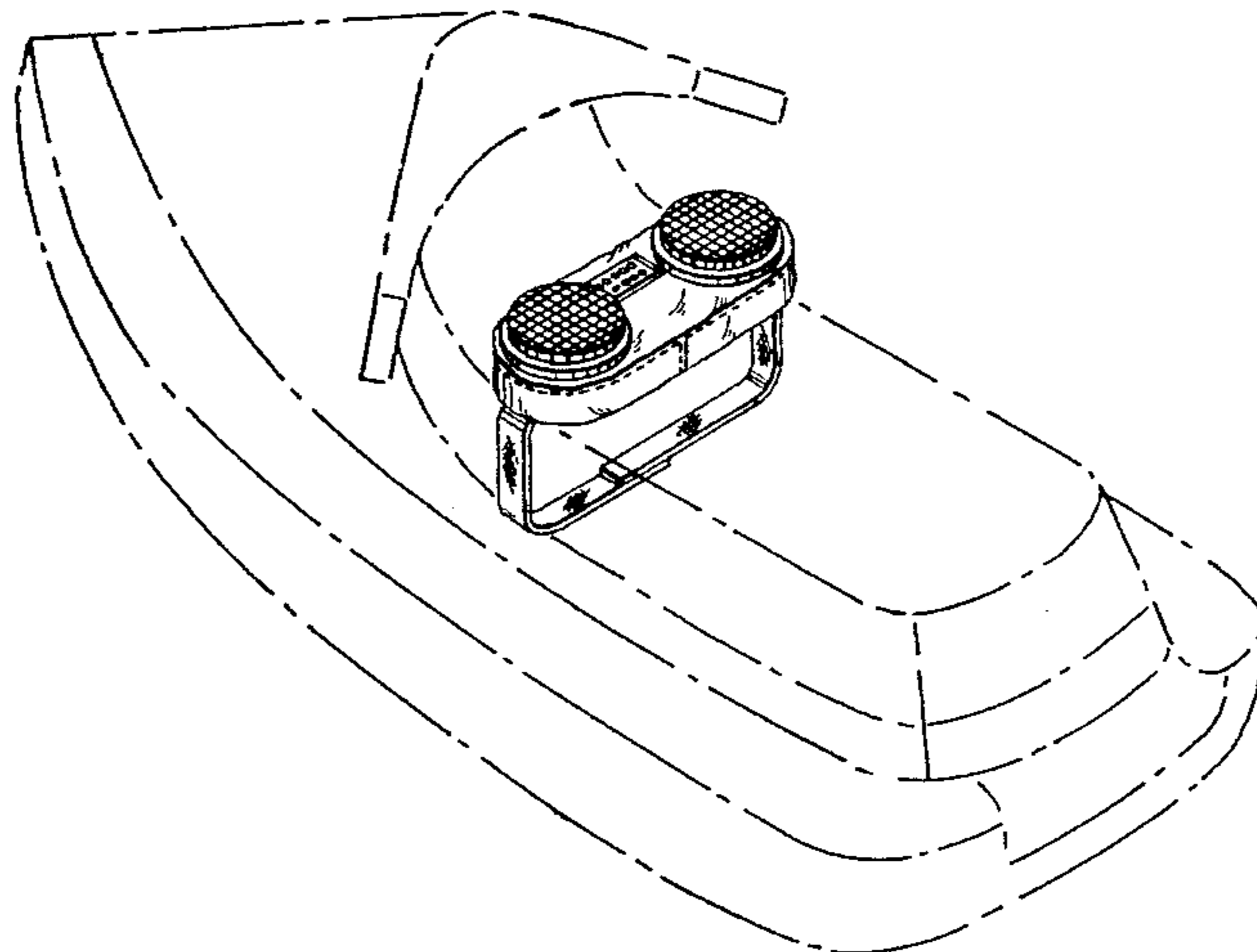
FIG. 1 is a perspective view of a stereo speaker assembly for a personal watercraft showing my new design, the broken line showing of the watercraft is for illustrative purposes only and forms no part of the claimed design; FIG. 2 is a top plan view with the straps shown in an extended position; FIG. 3 is a front elevational view, the rear view being a mirror image; FIG. 4 is a left end elevation view; FIG. 5 is a right end elevational view; and, FIG. 6 is a bottom plan view.

[56] **References Cited**

U.S. PATENT DOCUMENTS

D. 199,639 11/1964 Halpern D14/189
D. 264,336 5/1982 Nicholson et al. D14/214
D. 266,410 10/1982 Hoese D14/157 X
D. 281,871 12/1985 Heiman D12/114

1 Claim, 2 Drawing Sheets



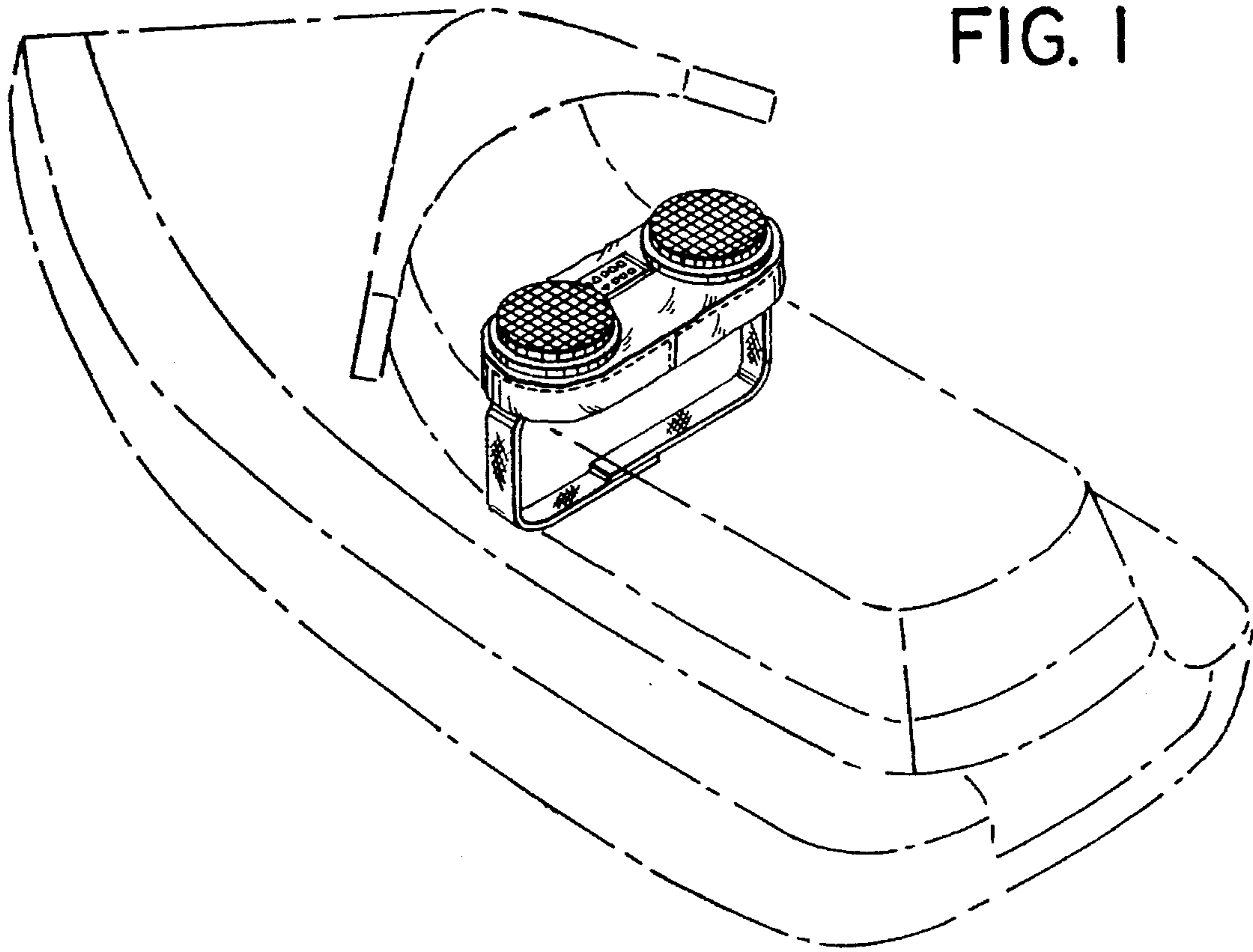


FIG. 1

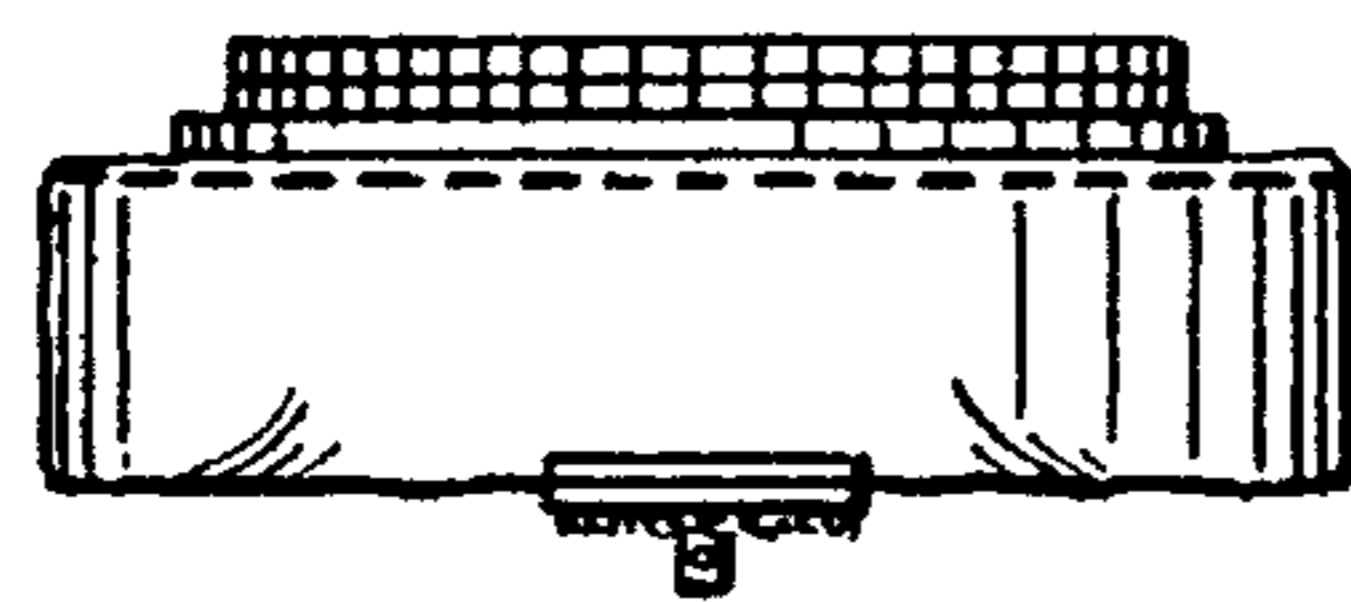


FIG. 4

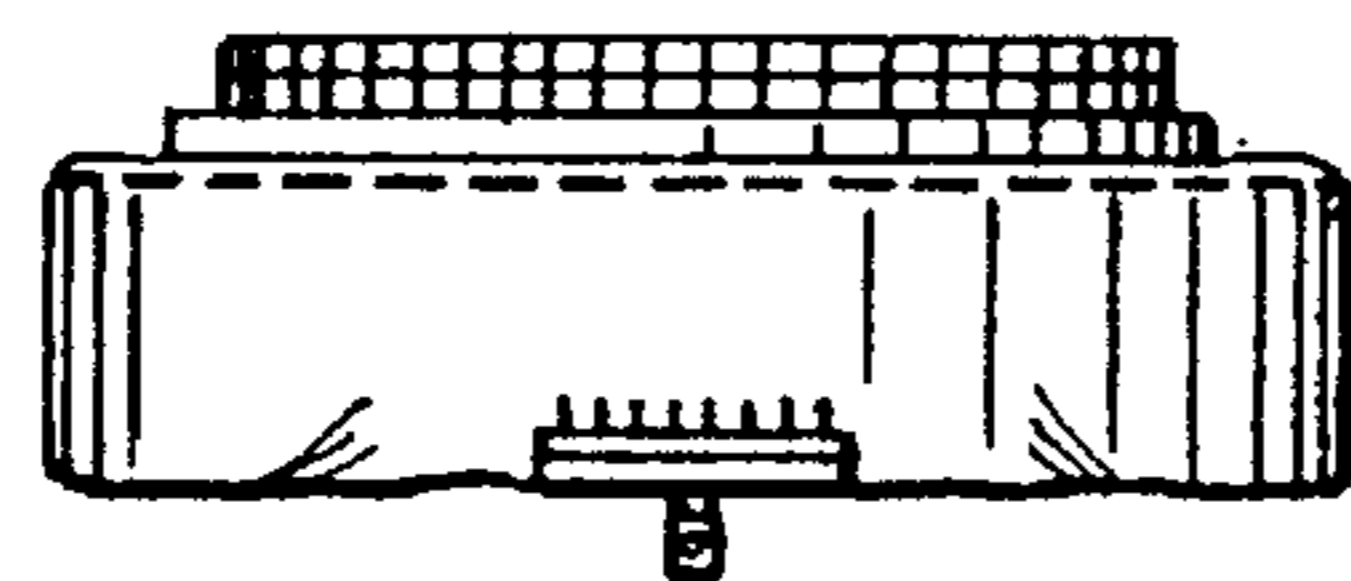


FIG. 5

FIG. 2

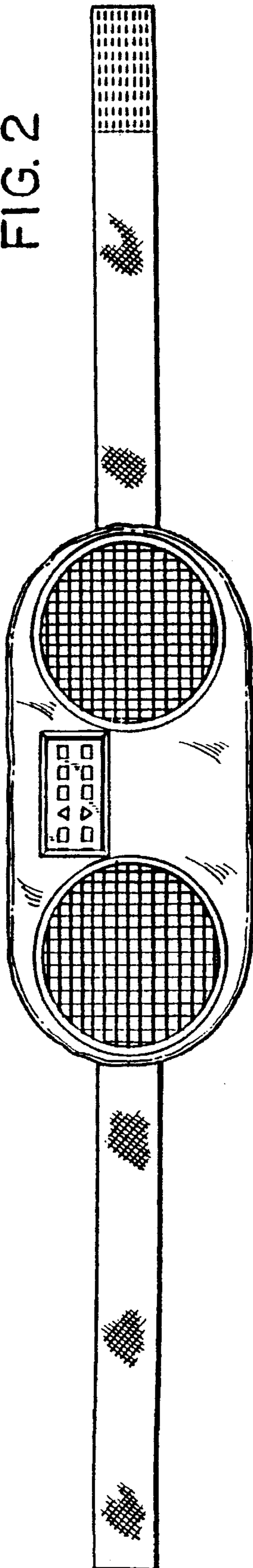


FIG. 3

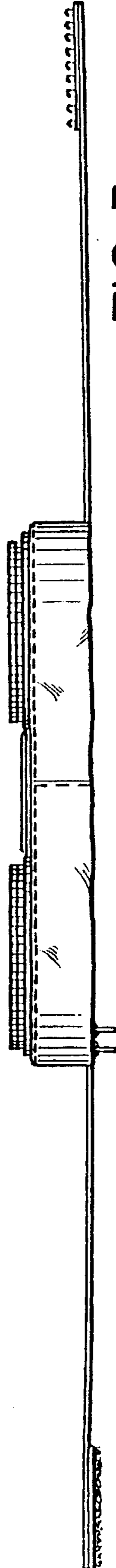


FIG. 6

