



US00D376141S

United States Patent [19] Takeuchi

[11] **Patent Number:** **Des. 376,141**
[45] **Date of Patent:** ****Dec. 3, 1996**

[54] **COMBINED FACSIMILE AND PRINTER FOR COMPUTER**

FOREIGN PATENT DOCUMENTS

65798 4/1990 Canada D18/55

[75] Inventor: **Motoaki Takeuchi**, Tokyo, Japan

OTHER PUBLICATIONS

[73] Assignee: **Canon Kabushiki Kaisha**, Tokyo, Japan

Panasonic brochure; Jun. 1994; Cover page lower left Corner Photo for Panafax UF-755 Fax Machine.
Lumina brochure; ©1994; Cover pg. Lumina Series 2000 Fax Machine.

[**] Term: **14 Years**

Primary Examiner—Cathy Anne MacCormac
Attorney, Agent, or Firm—Fitzpatrick, Cella Harper & Scinto

[21] Appl. No.: **46,542**

[22] Filed: **Nov. 20, 1995**

[30] Foreign Application Priority Data

[57] CLAIM

May 24, 1995 [JP] Japan 7-14554

[52] U.S. Cl. **D14/118**; D18/50

The ornamental design for an combined facsimile and printer for computer, as shown and described.

[58] Field of Search D18/50, 54-55;
400/613, 613.1-613.4, 691-694, 690.1-690.4;
D14/118; 358/400, 401

DESCRIPTION

[56] References Cited

U.S. PATENT DOCUMENTS

- D. 318,684 7/1991 Irie et al. D18/55
- D. 344,080 2/1994 Omino D14/118
- D. 355,179 2/1995 Sawada et al. D14/118
- D. 363,713 10/1995 Kanari et al. D14/118
- D. 364,420 11/1995 Kawashima D18/54
- D. 365,343 12/1995 Omino D14/118
- 5,387,043 2/1995 Fujioka et al. 400/691

FIG. 1 is a front view of an combined facsimile and printer for computer showing my new design;
FIG. 2 is a rear view thereof;
FIG. 3 is a top plan view thereof;
FIG. 4 is a bottom plan view thereof;
FIG. 5 is a left side view thereof;
FIG. 6 is a right side view thereof; and,
FIG. 7 is a perspective view thereof.

1 Claim, 4 Drawing Sheets

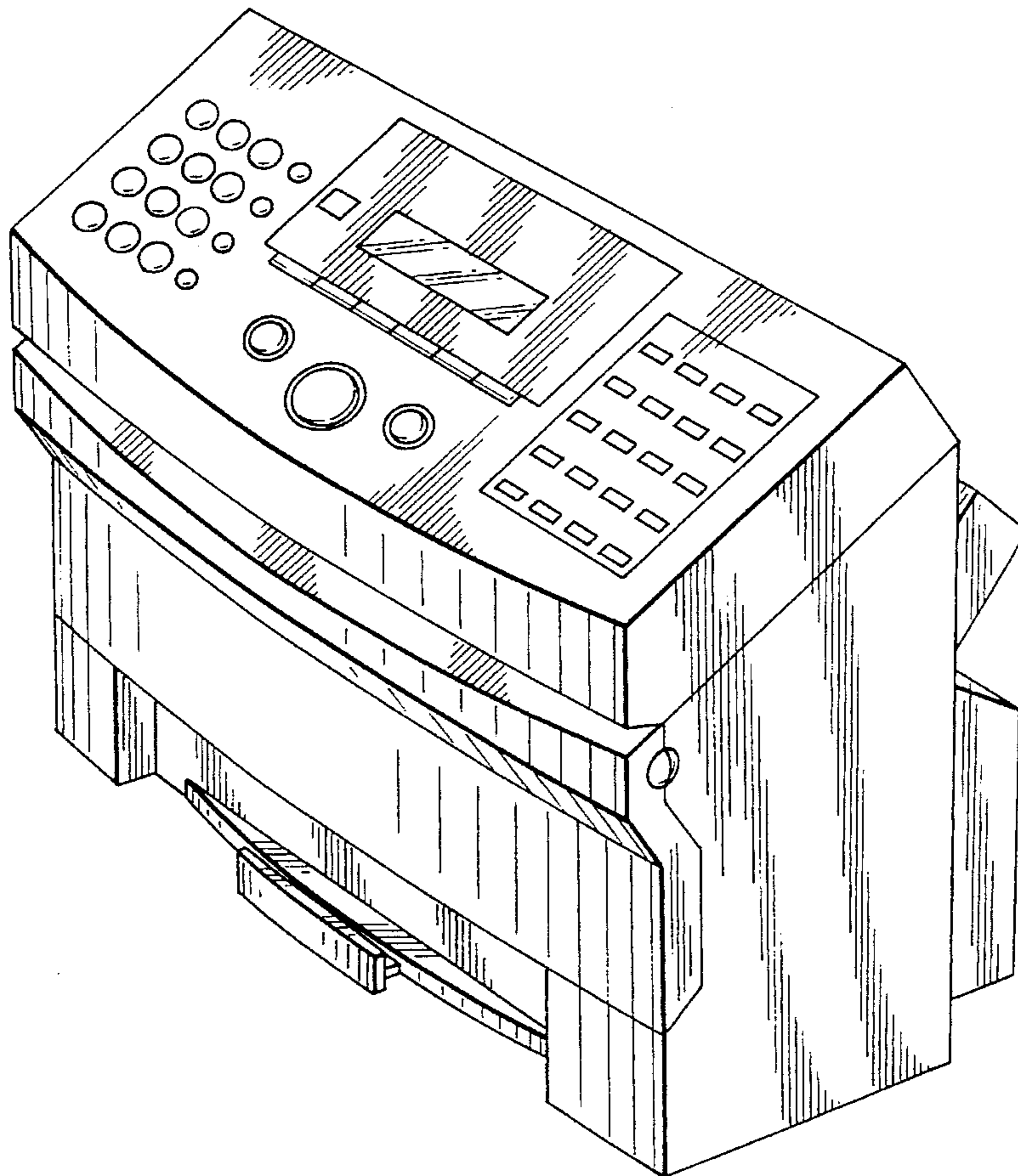


FIG. 1

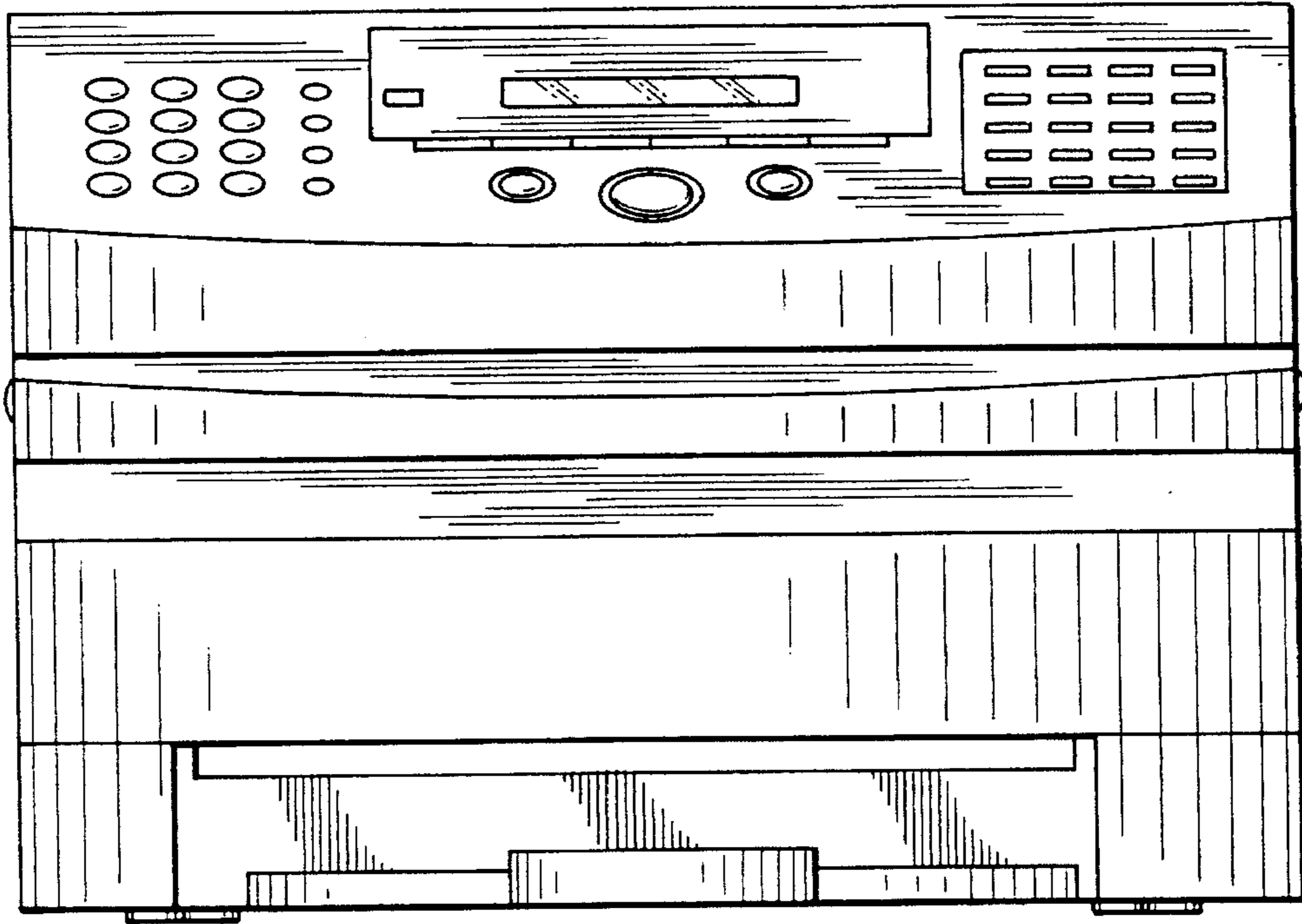


FIG. 2

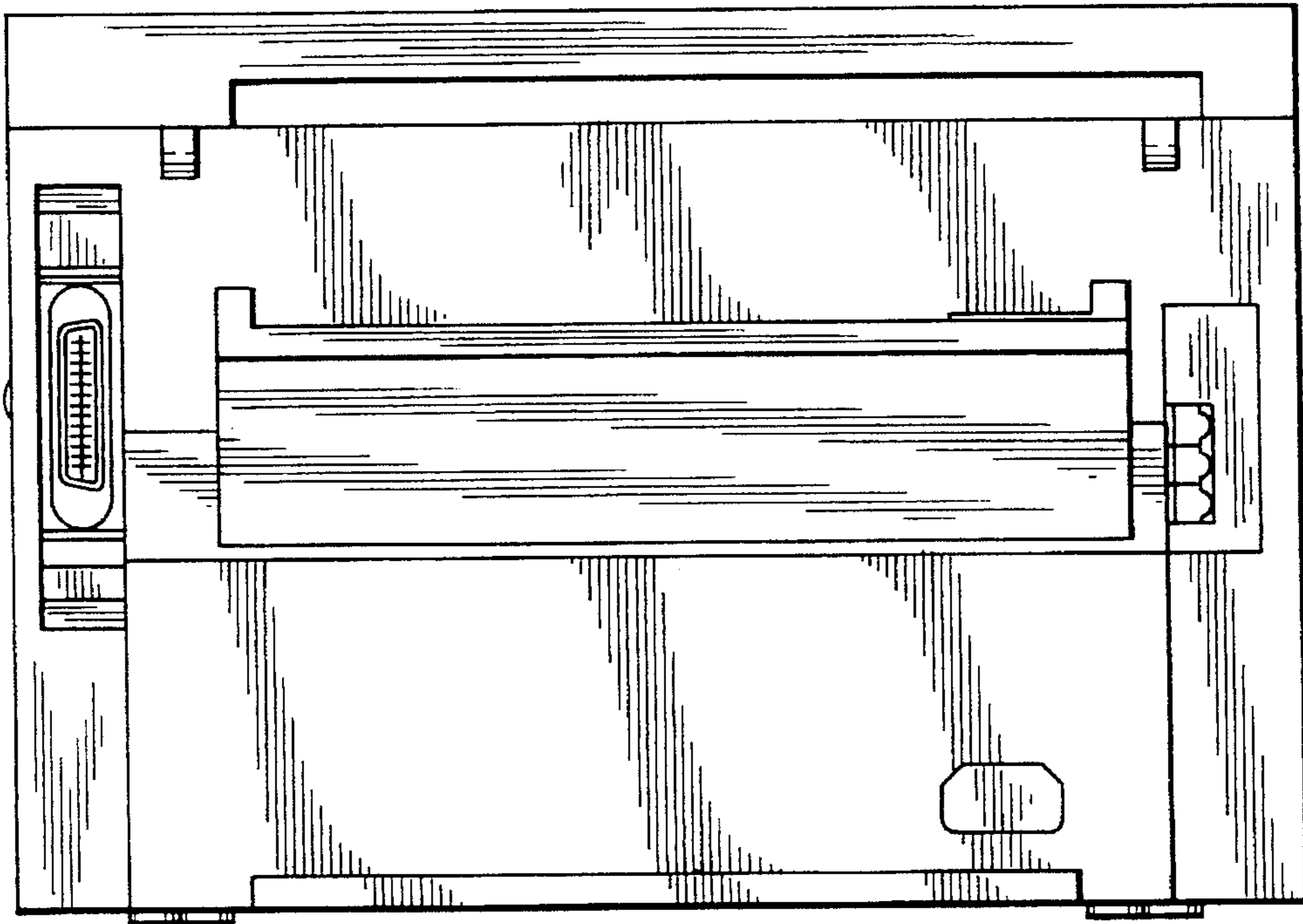


FIG. 3

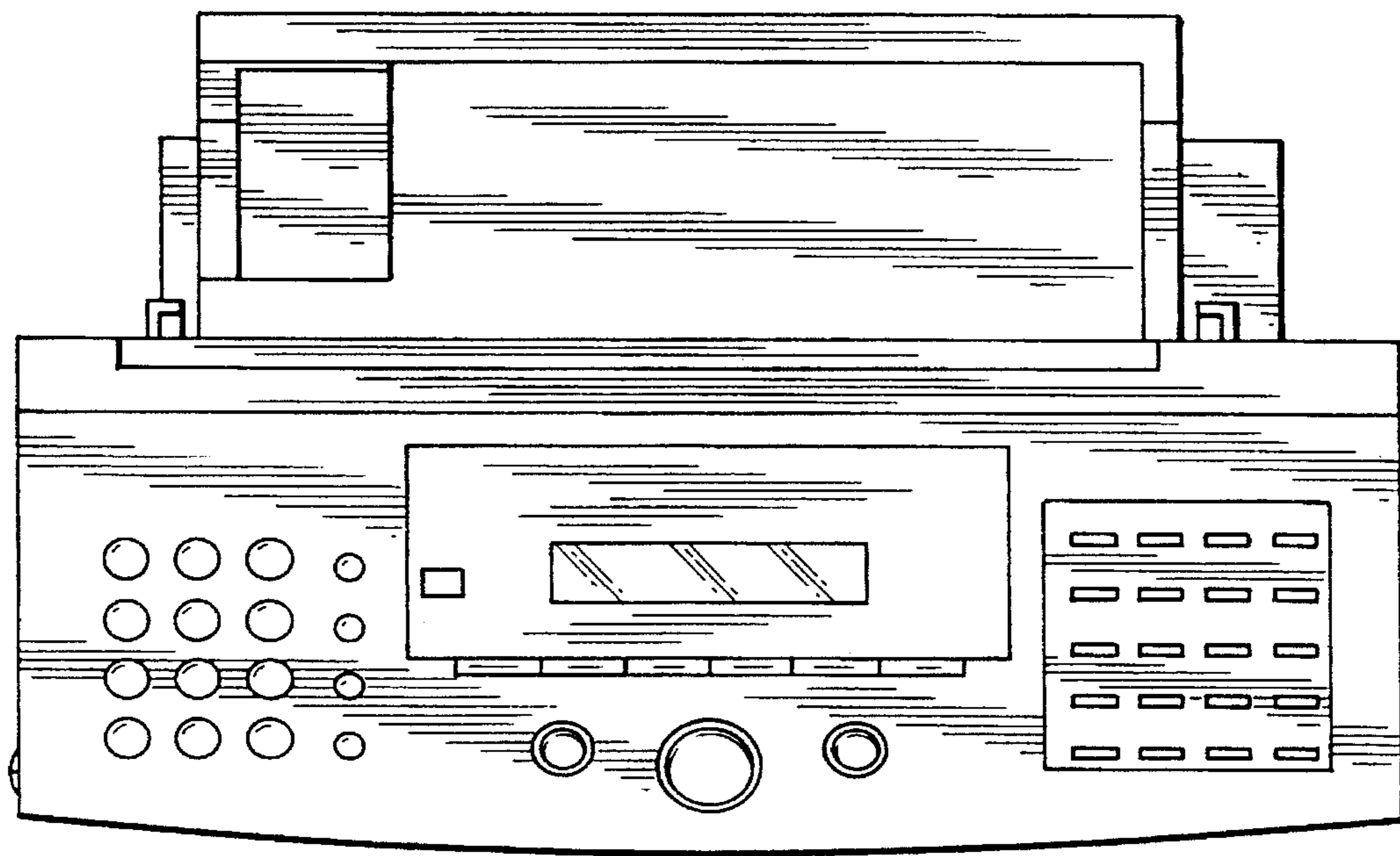


FIG. 4

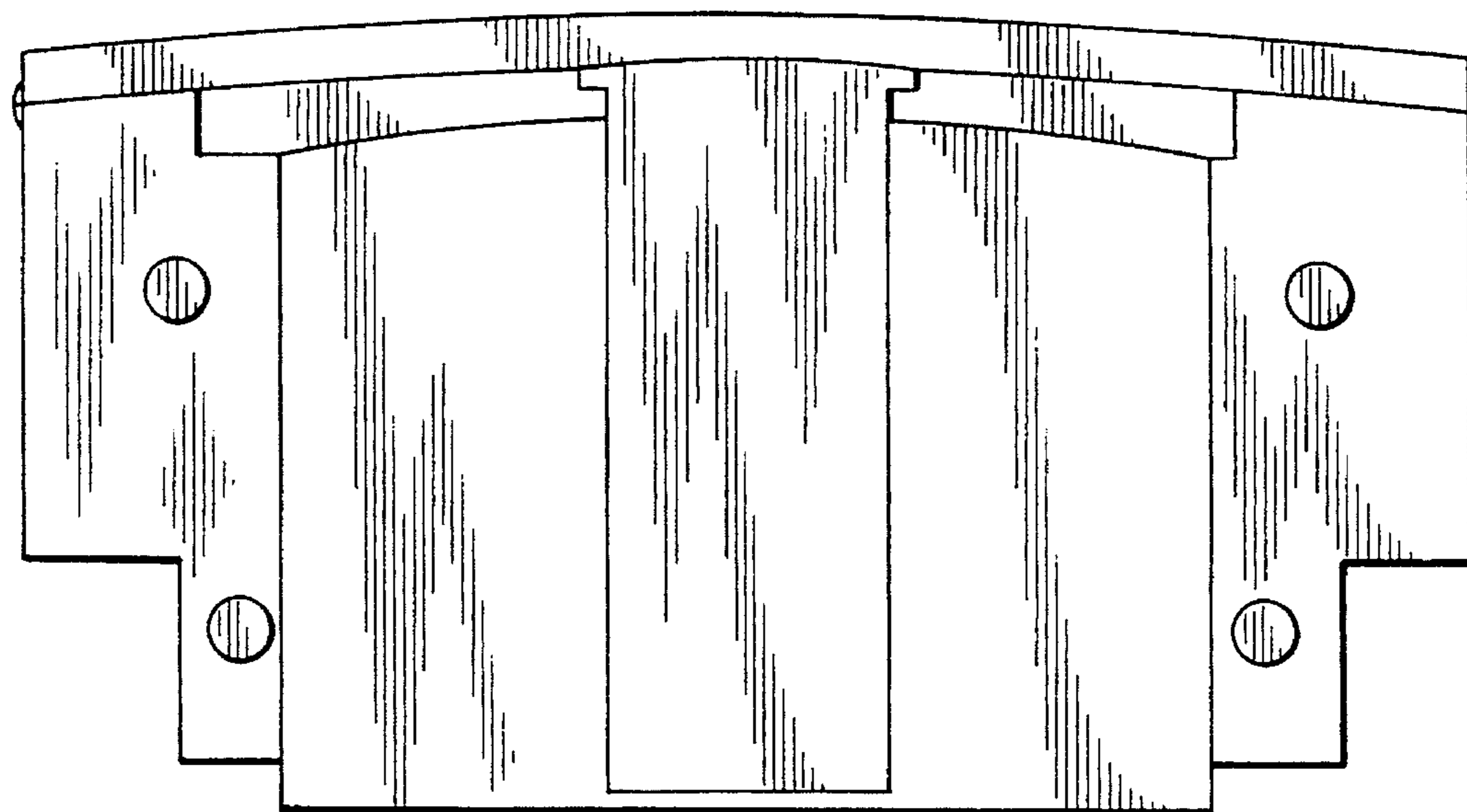


FIG. 5

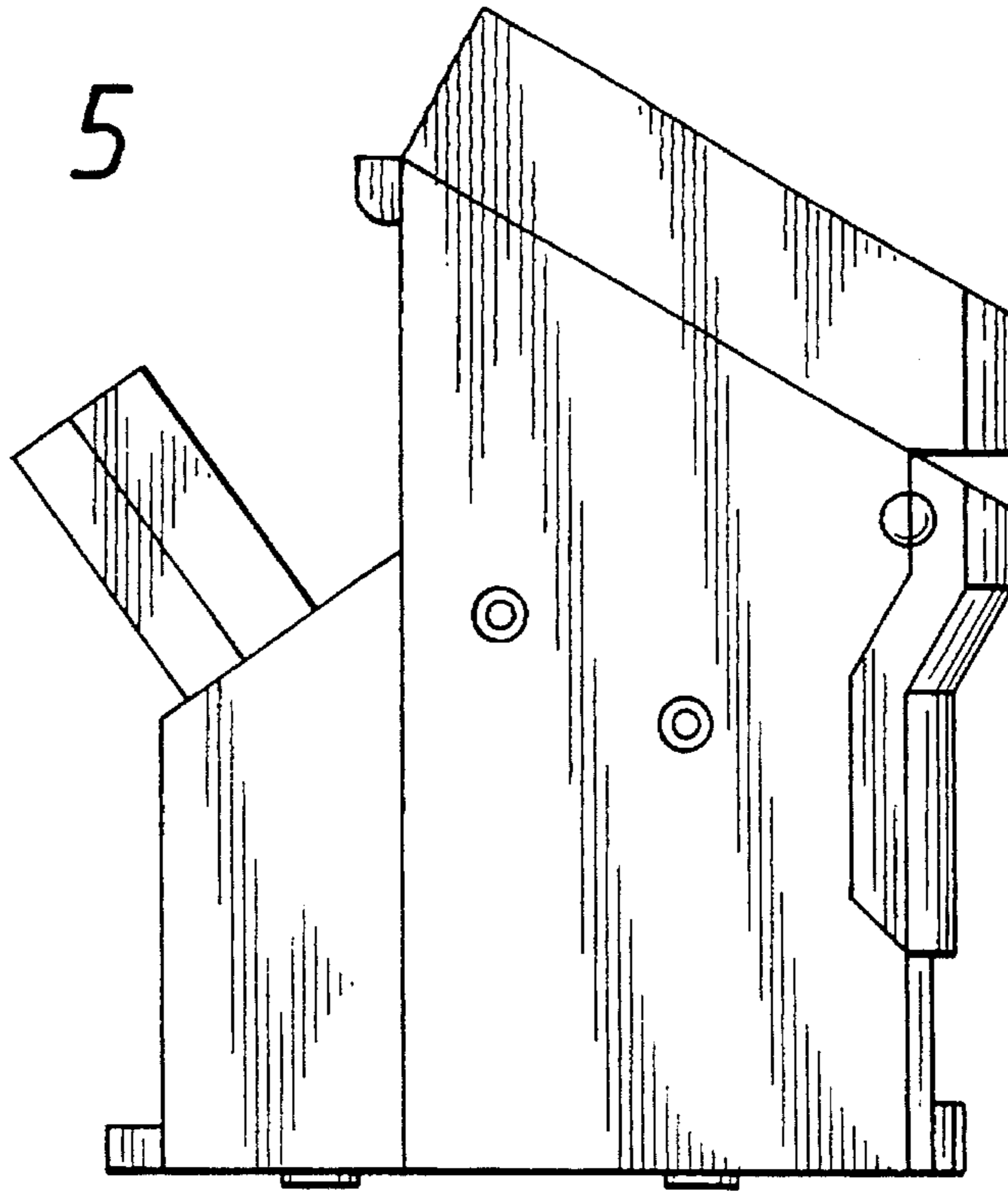


FIG. 6

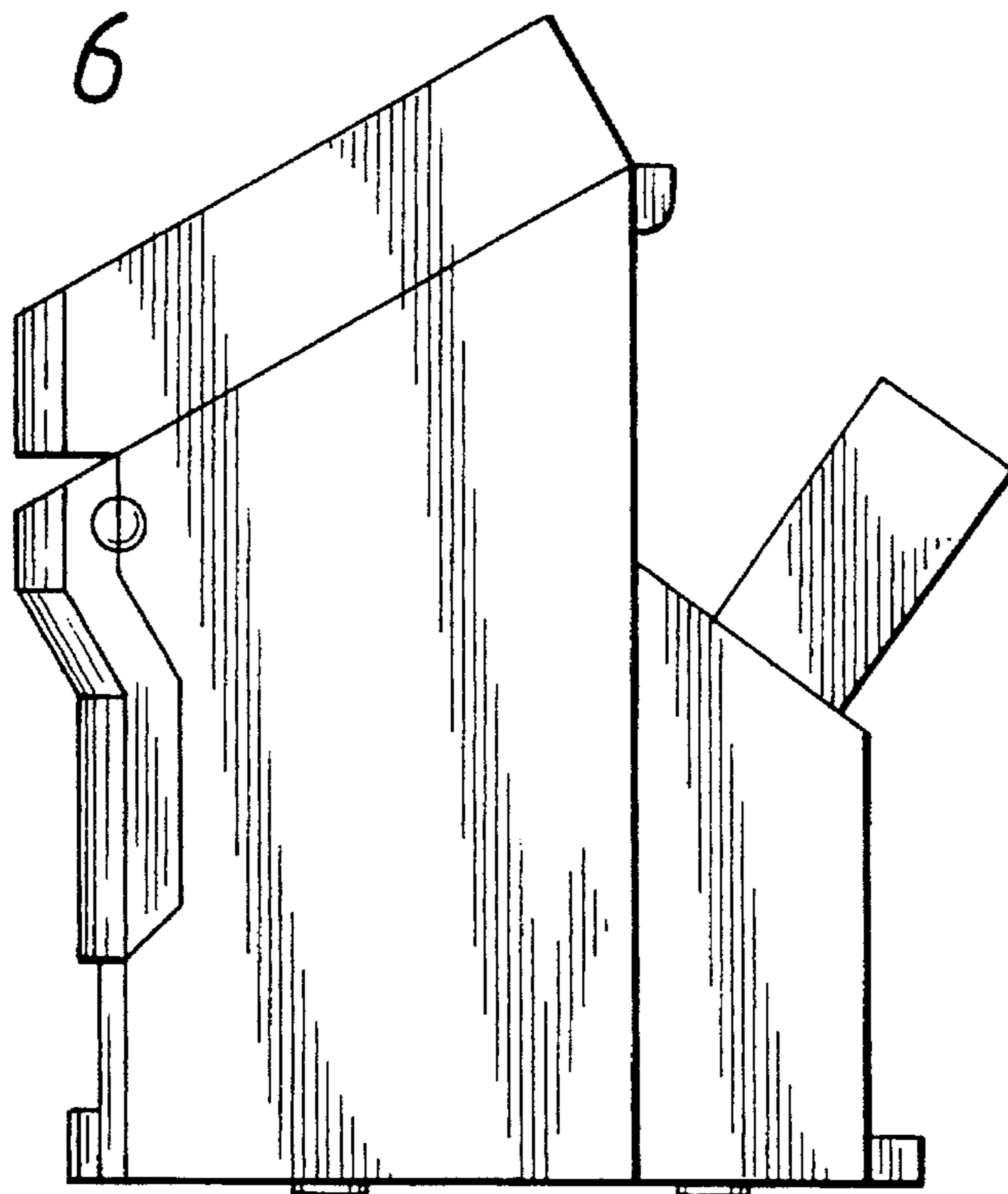
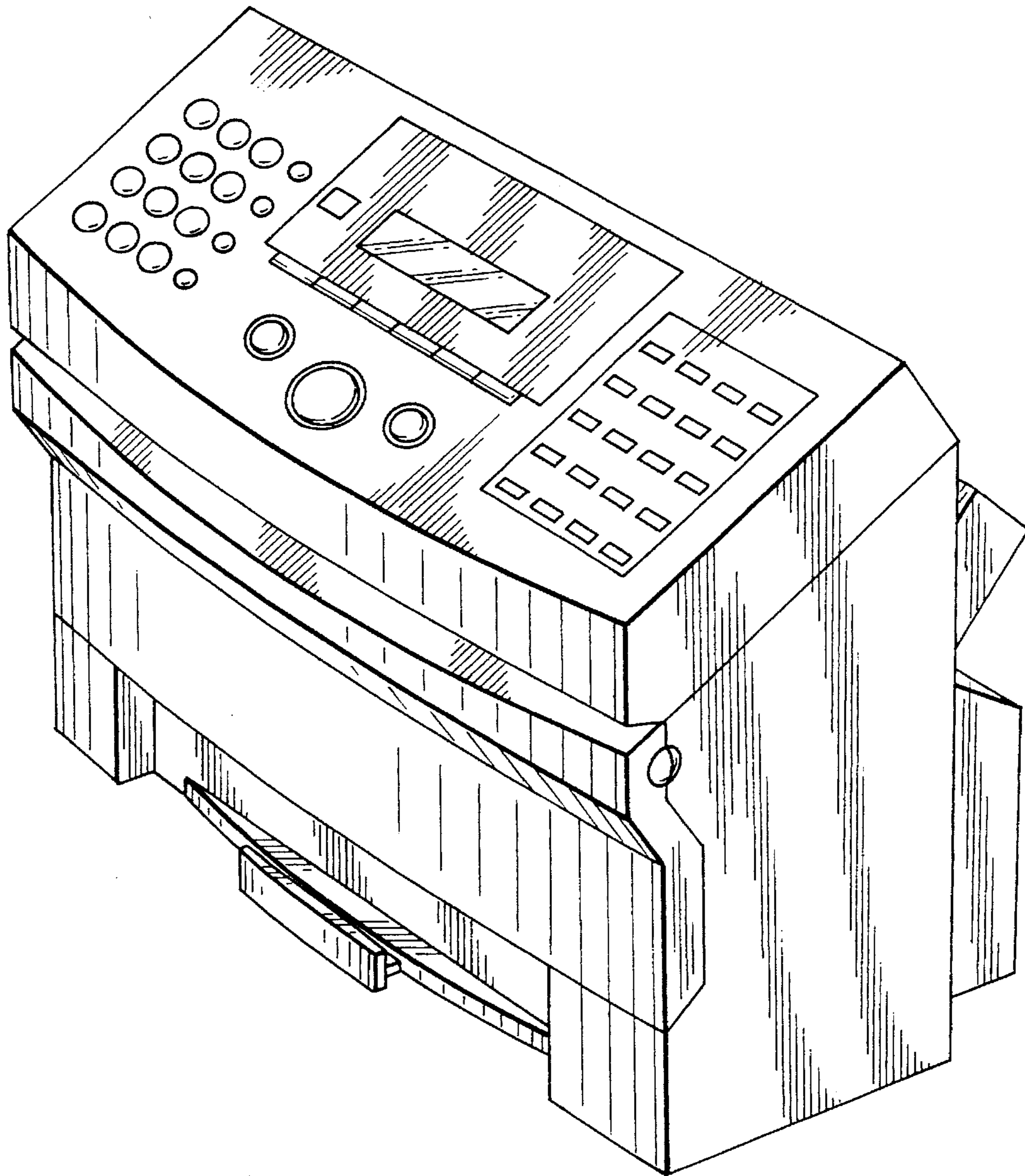


FIG. 7



UNITED STATES PATENT AND TRADEMARK OFFICE
CERTIFICATE OF CORRECTION

PATENT NO. : Des. 376,141
DATED : December 3, 1996
INVENTOR : MOTOAKI TAKEUCHI

It is certified that error appears in the above-identified patent and that said Letters Patent is hereby corrected as shown below:

On the title page, at item [57], Claim:

"an" should read --a--;

On the title page, at item [57], Description

In the description of Fig. 1, "an" should read --a--.

Signed and Sealed this
Fifteenth Day of April, 1997

Attest:



BRUCE LEHMAN

Attesting Officer

Commissioner of Patents and Trademarks