



US00D376139S

United States Patent [19] Hasegawa

[11] **Patent Number: Des. 376,139**
[45] **Date of Patent: **Dec. 3, 1996**

[54] IMAGE SCANNER

[75] Inventor: **Fumio Hasegawa**, Nagoya, Japan
[73] Assignee: **Elmo Company Limited**, Japan
[**] Term: **14 Years**

[21] Appl. No.: **42,104**

[22] Filed: **Aug. 1, 1995**

[30] Foreign Application Priority Data

Feb. 1, 1995 [JP] Japan 7-2139
[52] U.S. Cl. **D14/107; D16/232**
[58] Field of Search D14/100, 107,
D14/105; D16/208, 214, 223, 232; D18/36,
37, 39; 250/566, 568, 569; 235/454, 462,
470, 380, 382, 382.5, 476, 482, 483, 441;
348/373-376; 358/408, 472, 474, 497, 228,
254, 229, 249

[56] References Cited

U.S. PATENT DOCUMENTS

D. 276,815 12/1984 Kando et al. D18/39
D. 323,819 1/1992 Iimura D14/107
D. 327,672 7/1992 Iimura D14/107
D. 352,502 11/1994 Hasegawa D14/107
D. 358,377 5/1995 Hasegawa D14/107
D. 364,852 12/1995 Park D14/107
4,825,295 4/1989 Ishikawa et al. 358/254
5,027,219 6/1991 Stuttler et al. 358/228

FOREIGN PATENT DOCUMENTS

797480 10/1990 Japan .
804021 1/1991 Japan .
804117 1/1991 Japan .
853176 11/1992 Japan .
854957 12/1992 Japan .
867290 4/1993 Japan .

Primary Examiner—Freda Nunn
Attorney, Agent, or Firm—Ostrolenk, Faber, Gerb & Soffen,
LLP

[57] CLAIM

The ornamental design for an image scanner, as shown and described.

DESCRIPTION

FIG. 1 is a front view of the image scanner embodying my new design;
FIG. 2 is a rear view thereof;
FIG. 3 is a left side view thereof;
FIG. 4 is a right side view thereof;
FIG. 5 is a bottom plan view thereof;
FIG. 6 is a top plan view thereof;
FIG. 7 is a perspective view as seen from the top and front of present FIG. 6;
FIG. 8 is a perspective view with the upper part of the support arm being pushed back into the lower part of the support arm as seen from the top and front; and,
FIG. 9 is a perspective view with all the parts being folded as seen from the top and front.

1 Claim, 9 Drawing Sheets

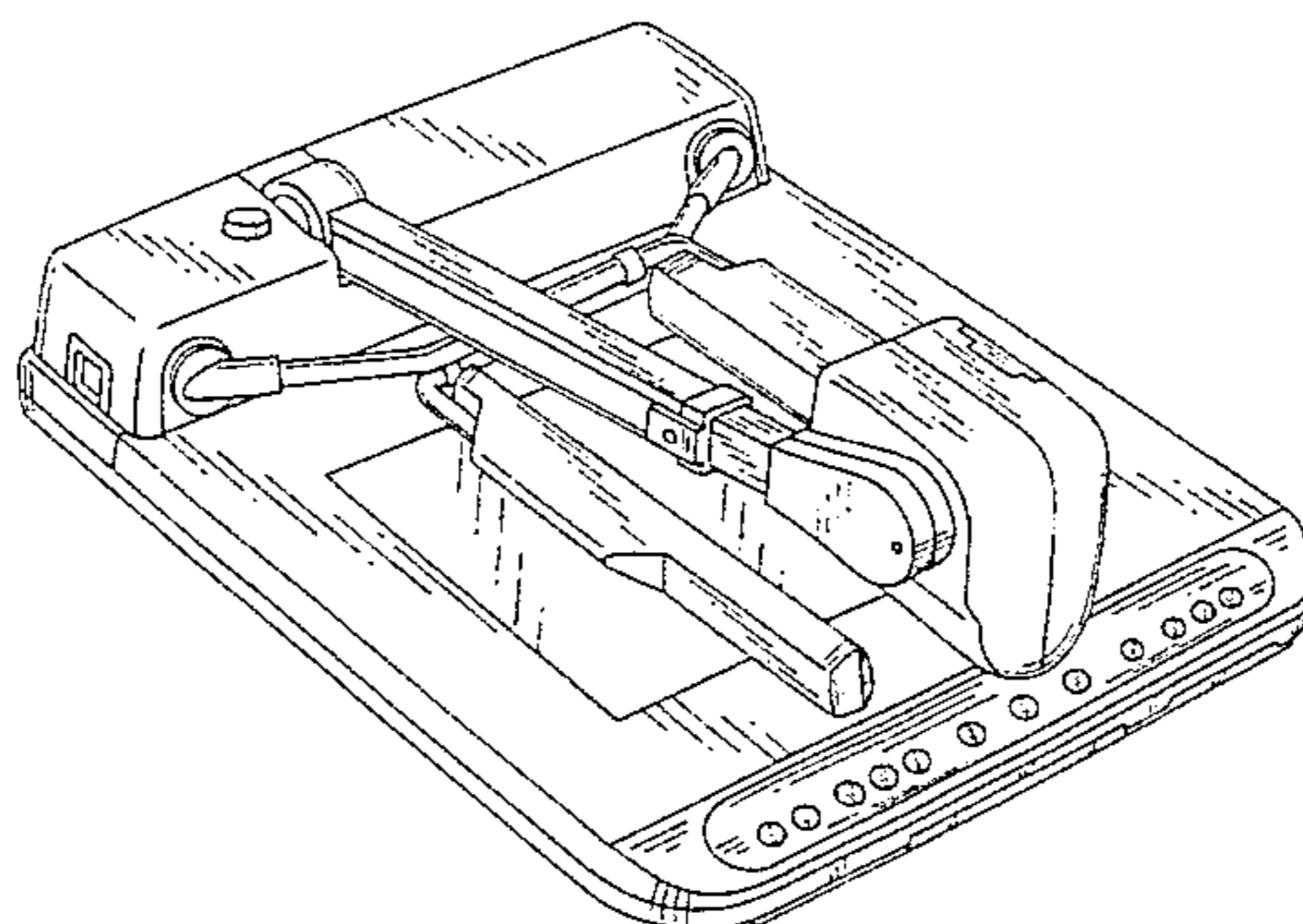
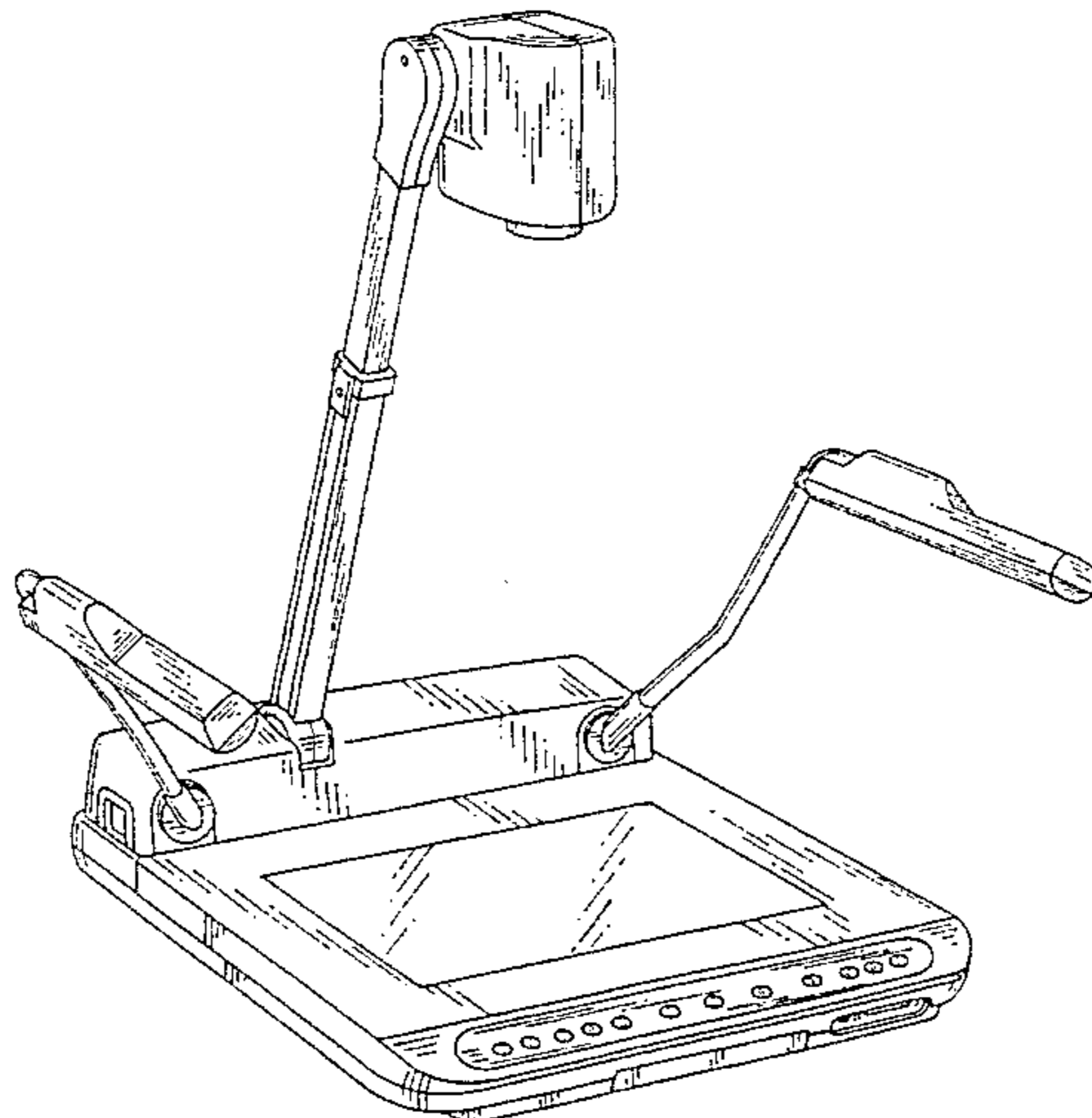


Fig. 1

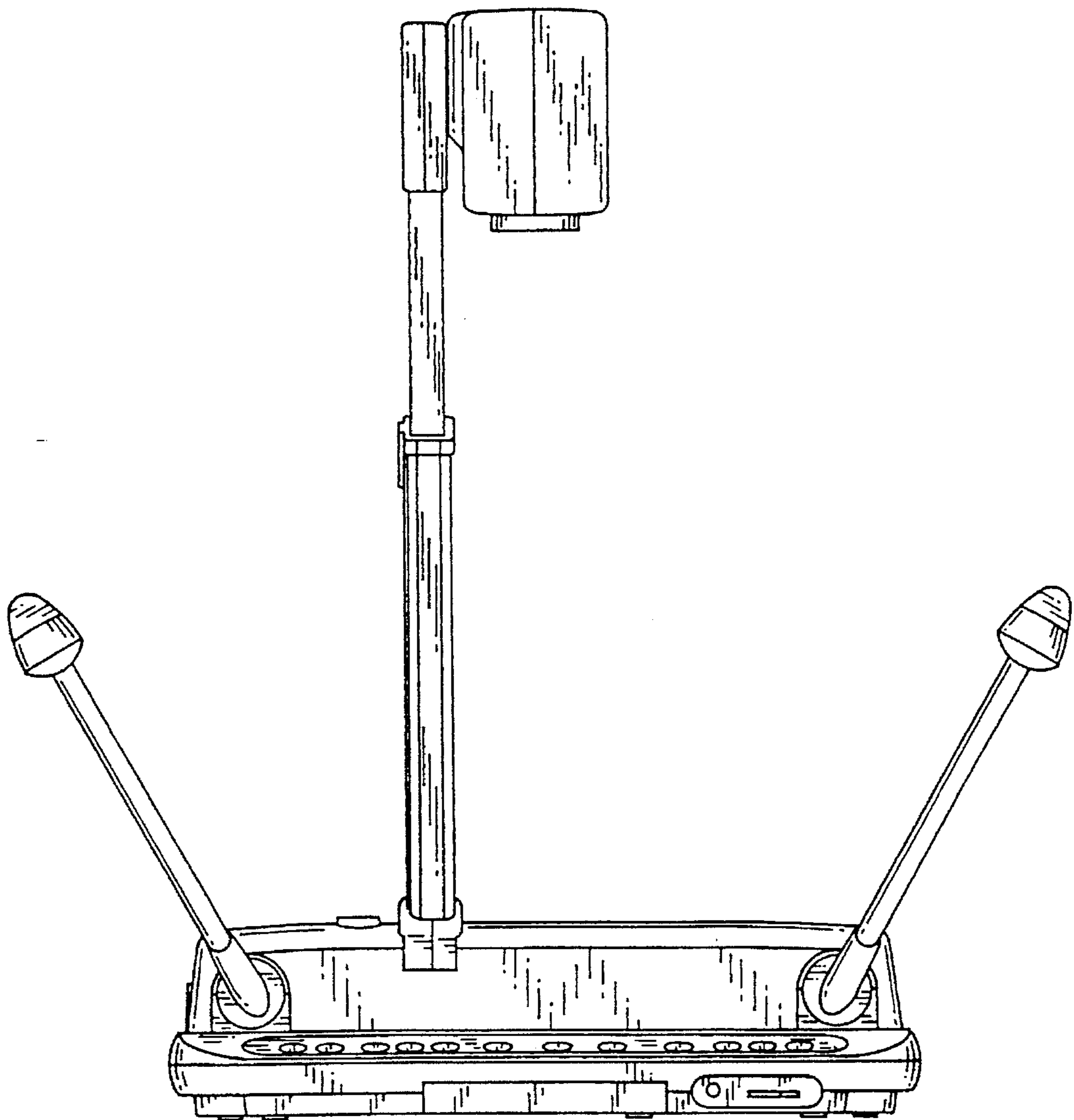


Fig. 2

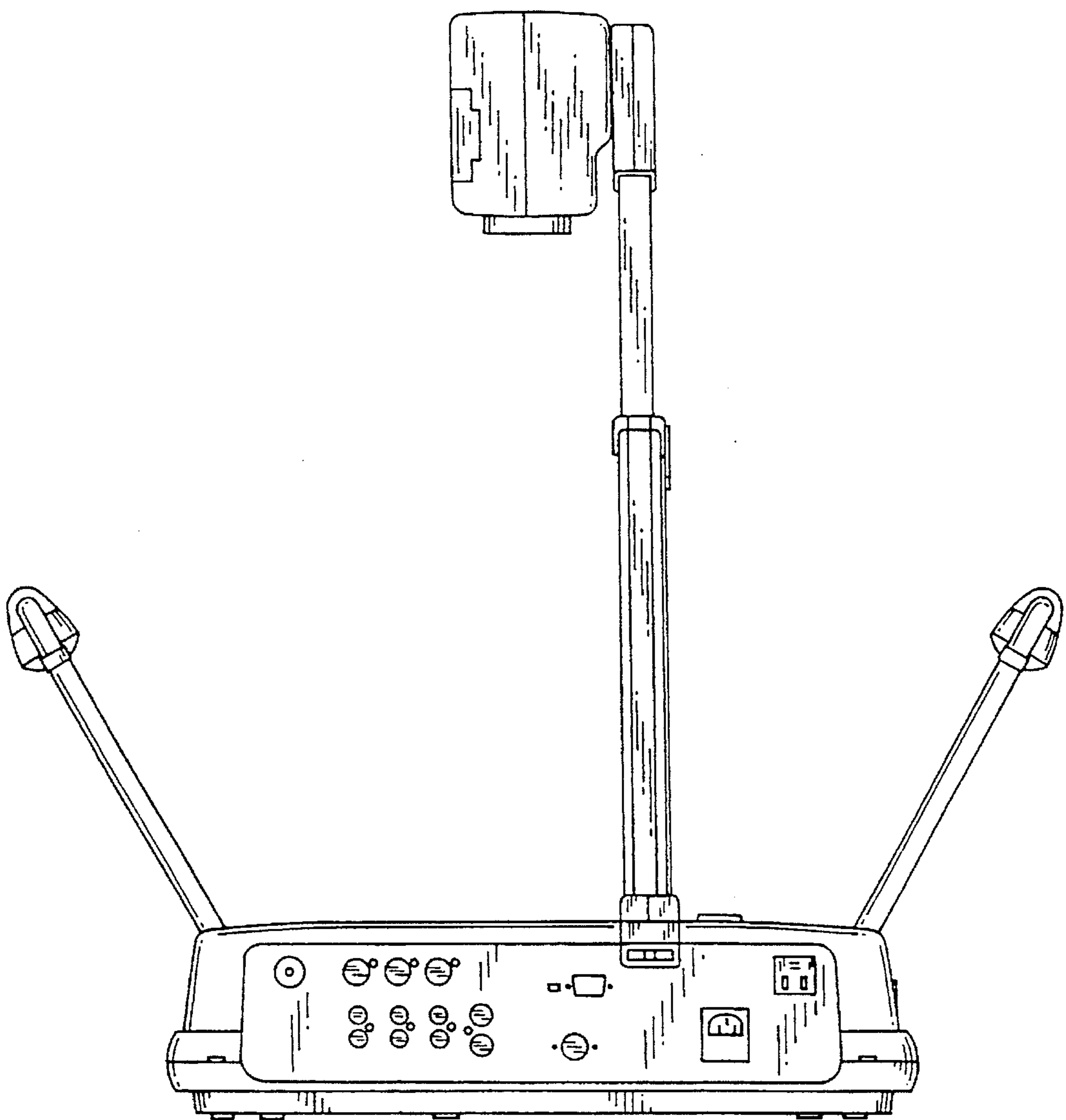


Fig. 3

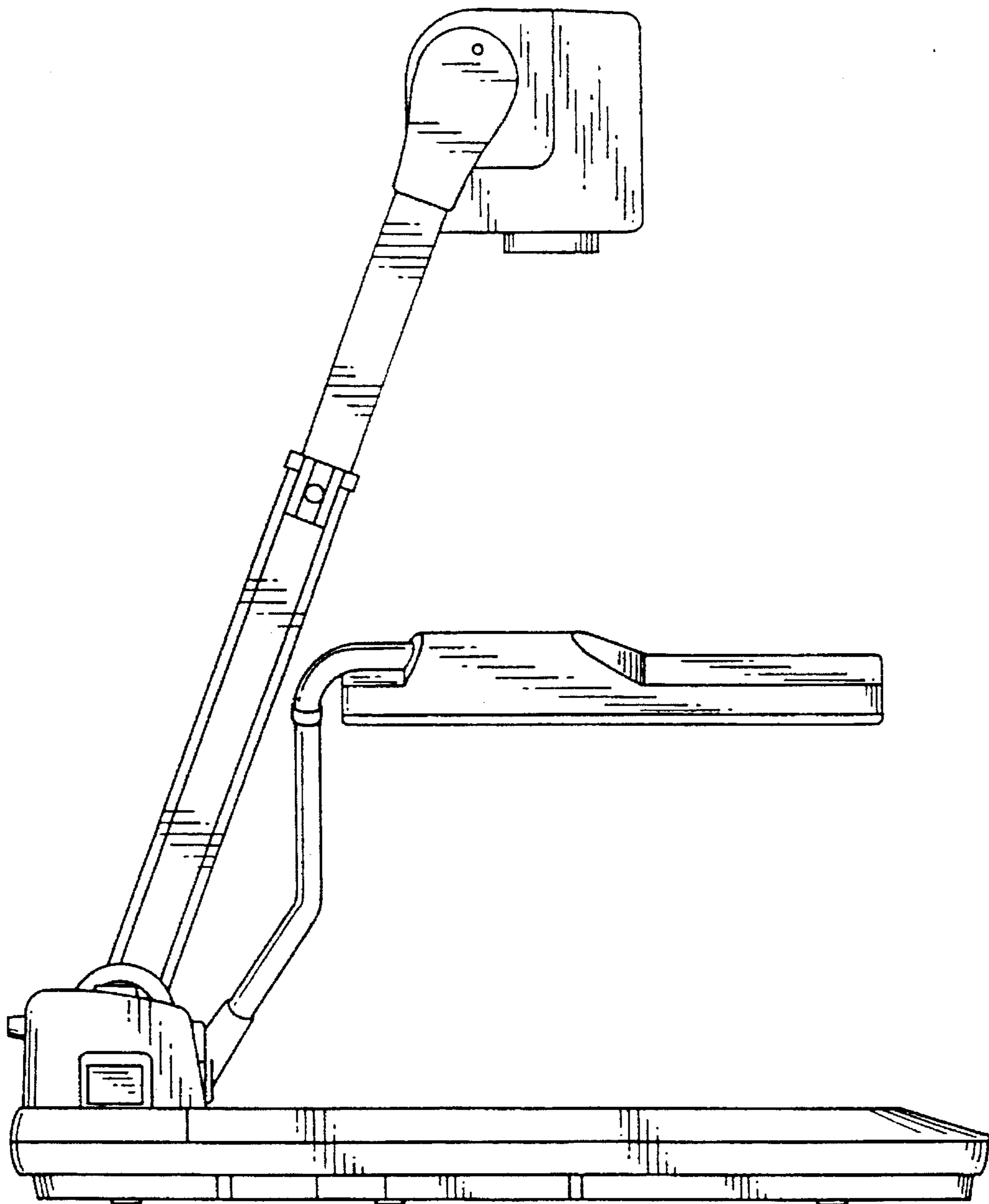


Fig. 4

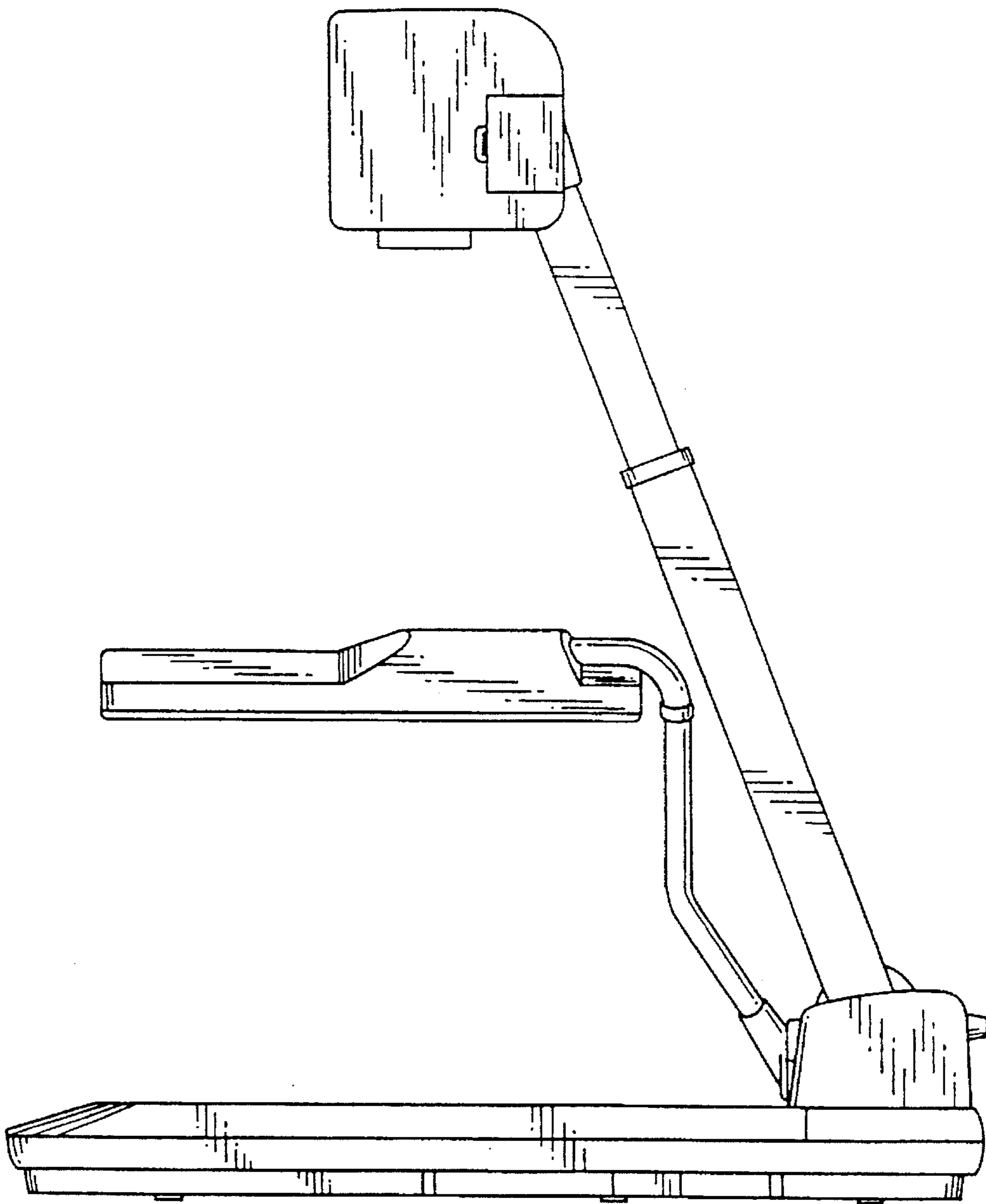


Fig. 5

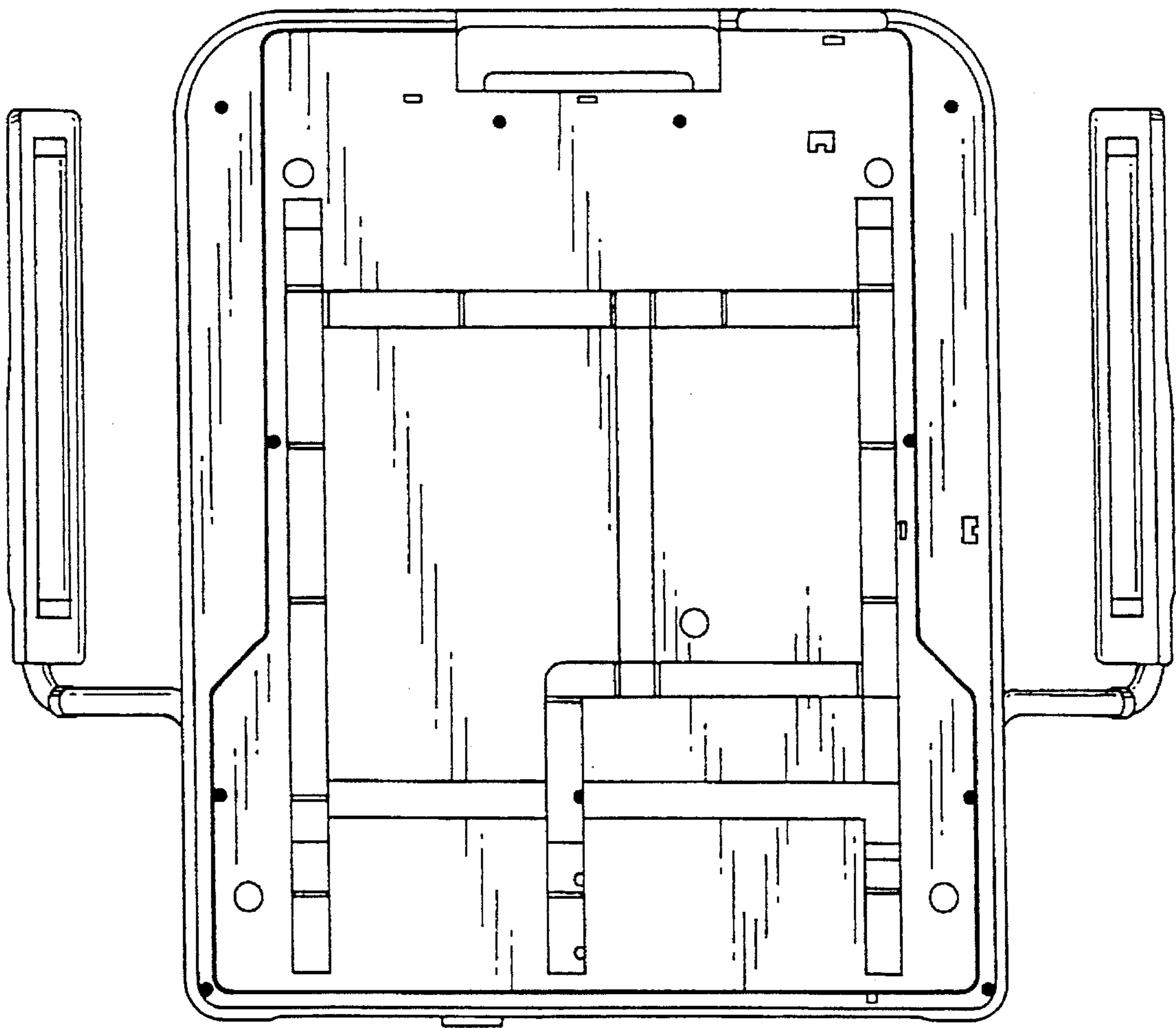


Fig. 6

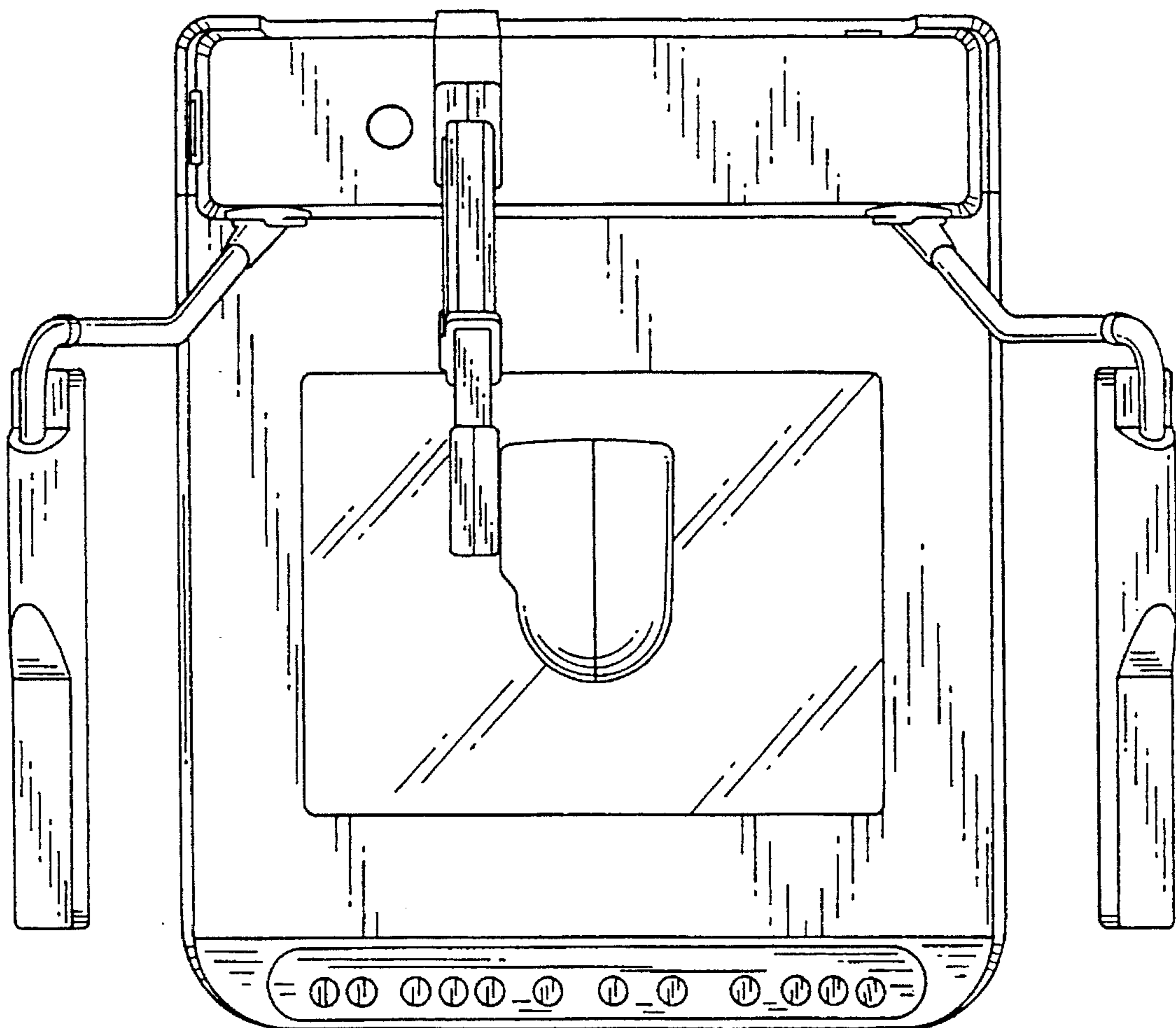


Fig. 7

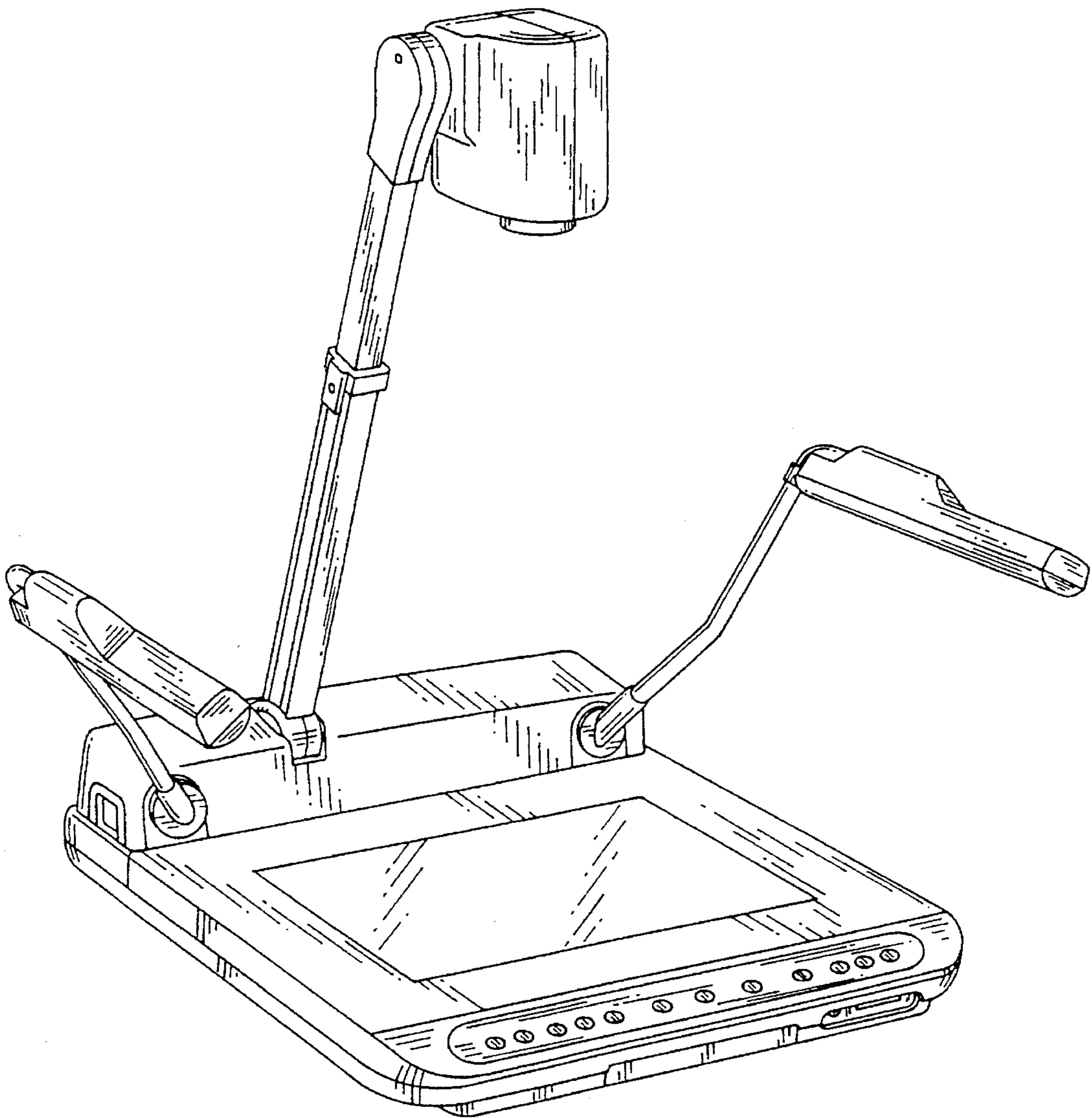


Fig. 8

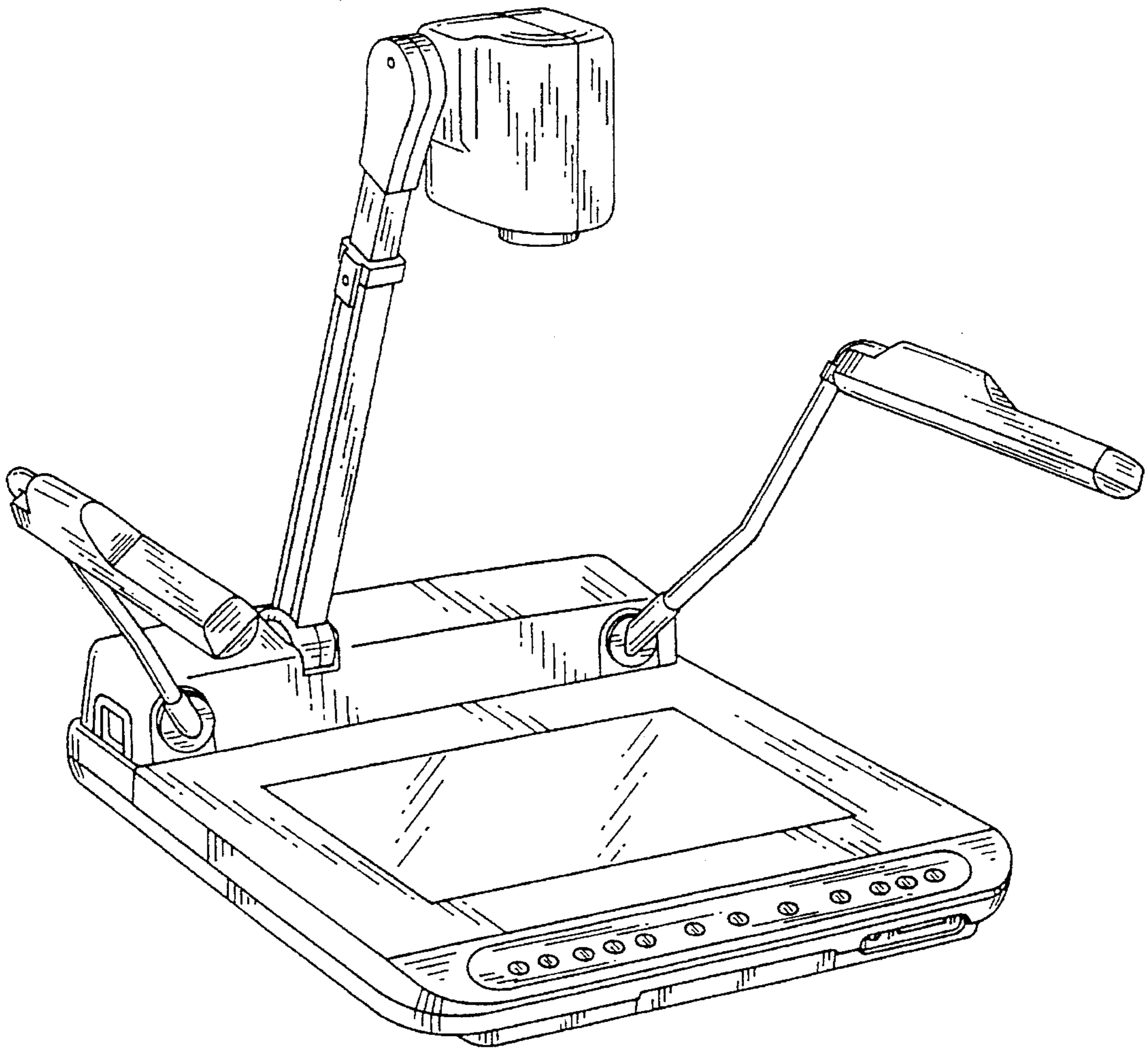


Fig. 9

