



US00D376137S

United States Patent [19]

MacMurtrie et al.

[11] Patent Number: **Des. 376,137**

[45] Date of Patent: ****Dec. 3, 1996**

[54] **COMPUTER HOUSING**

D. 362,238 9/1995 Alo, Jr. et al. D14/102
D. 364,149 11/1995 Alfonso D14/102

[75] Inventors: **Karen M. MacMurtrie**, Austin, Tex.;
Kurtis T. Sakai, Long Beach, Calif.

Primary Examiner—Freda Nunn
Attorney, Agent, or Firm—Richard A. Henkler

[73] Assignee: **International Business Machines Corporation**, Armonk, N.Y.

[57] **CLAIM**

[**] Term: **14 Years**

The ornamental design for the computer housing, as shown and described.

[21] Appl. No.: **50,241**

DESCRIPTION

[22] Filed: **Feb. 12, 1996**

[52] U.S. Cl. **D14/102**

[58] **Field of Search** D14/100, 102,
D14/103, 107-109; D13/162, 184, 199;
D6/432, 436, 445, 448; D21/253; D20/10;
312/208.1, 223.2, 254, 292; 360/97.01,
97.04, 98.01, 99.01, 99.12; 361/680-686

FIG. 1 is a front left and top perspective view of a computer housing showing our new design;

FIG. 2 is a front elevational view thereof;

FIG. 3 is a right side elevational view thereof;

FIG. 4 is a left side elevational view thereof;

FIG. 5 is a top plan view thereof; and,

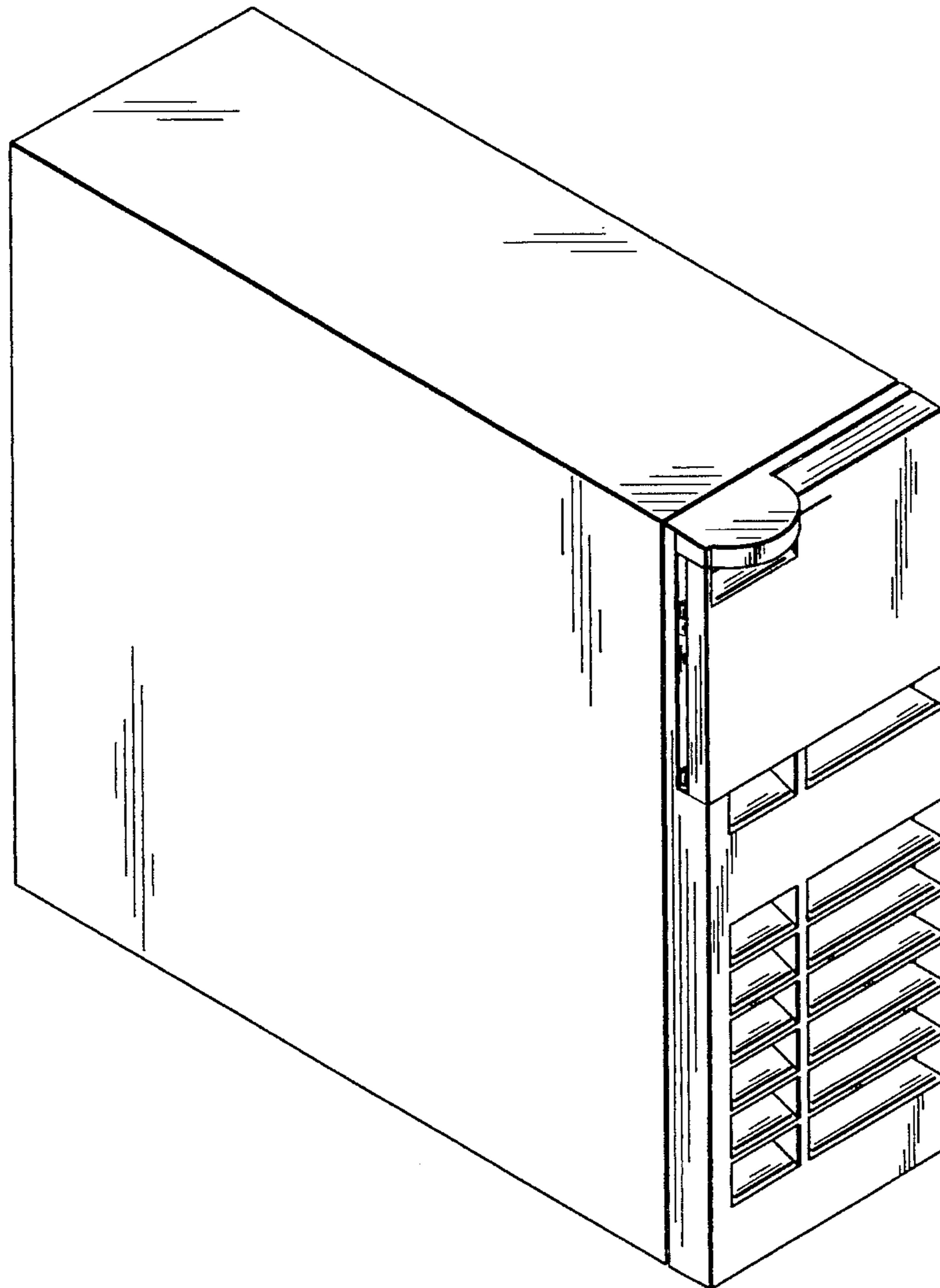
FIG. 6 is a front, right, and top perspective view thereof.

[56] **References Cited**

U.S. PATENT DOCUMENTS

D. 360,409 7/1995 Alo, Jr. et al. D14/102

1 Claim, 6 Drawing Sheets



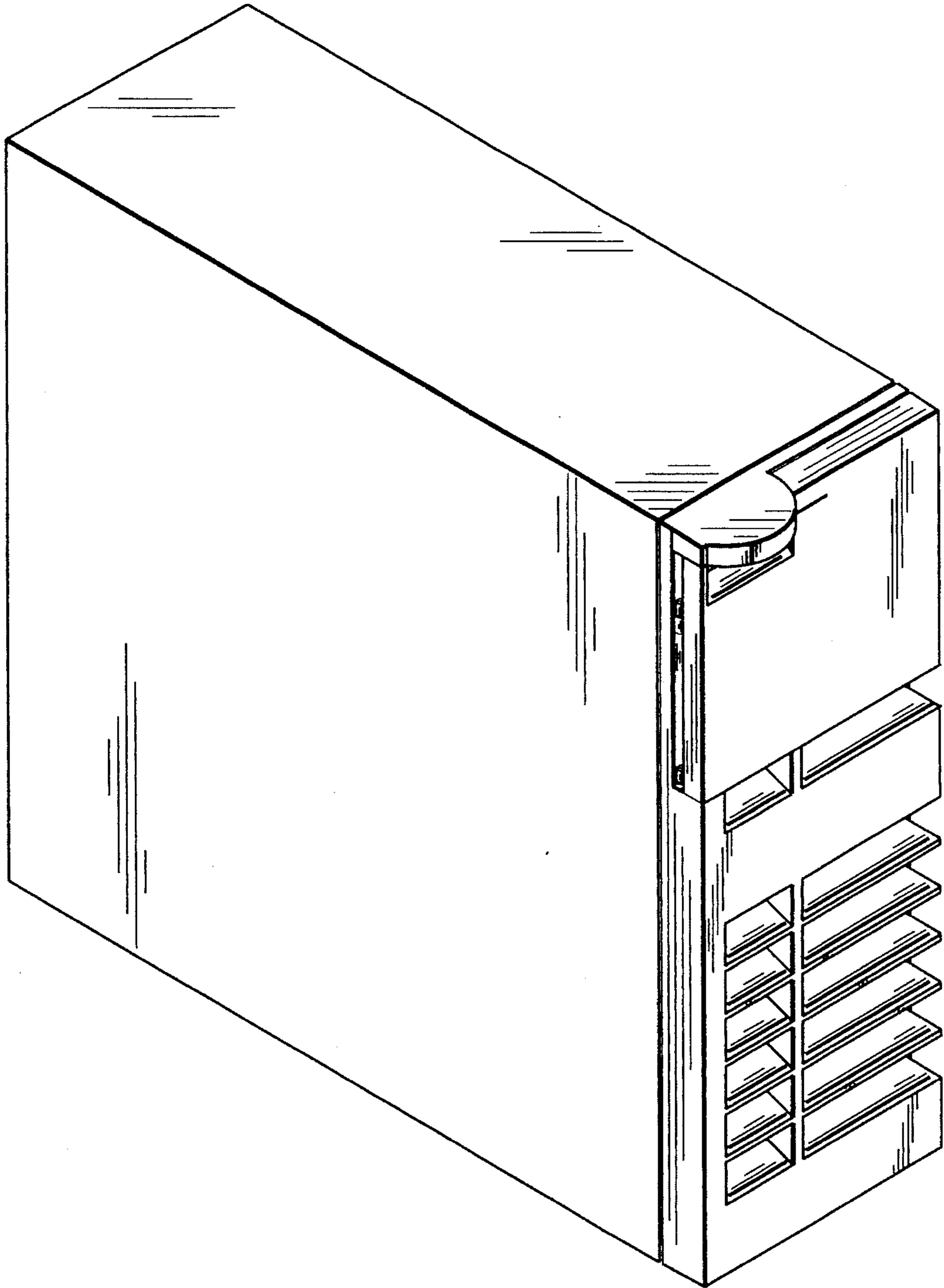


FIG. 1

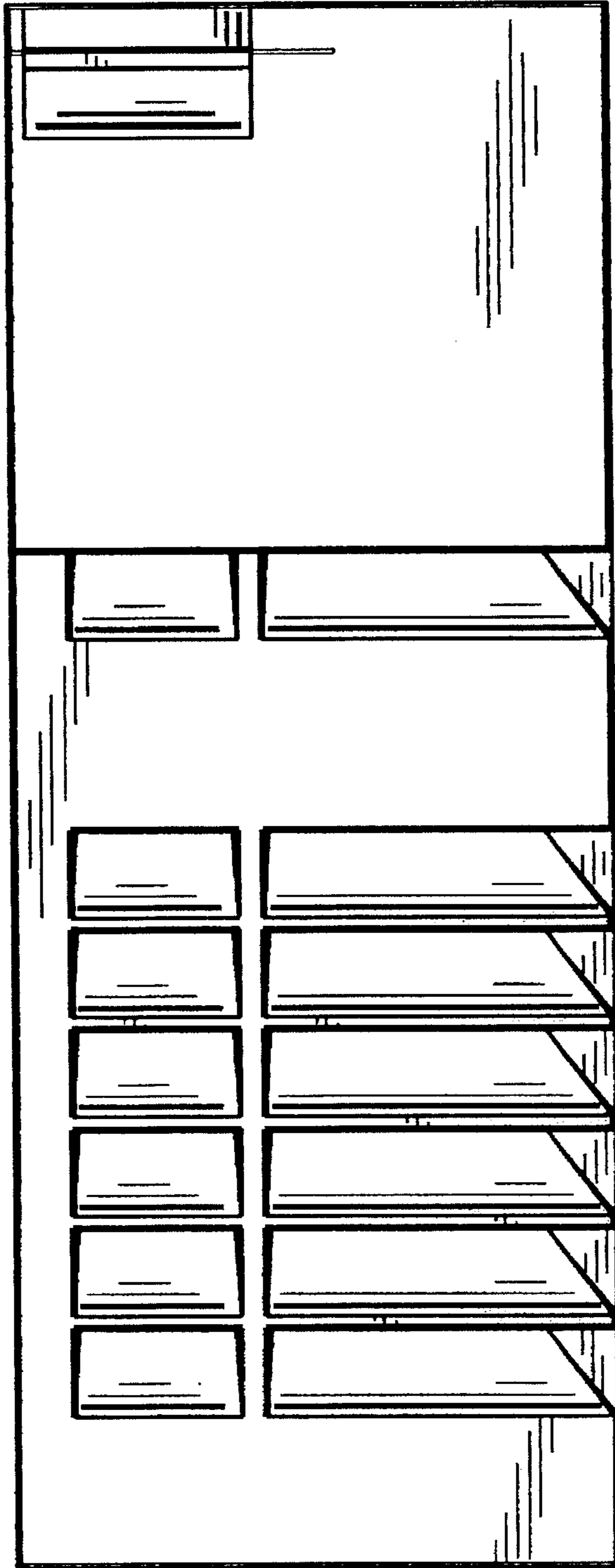


FIG. 2

FIG. 3

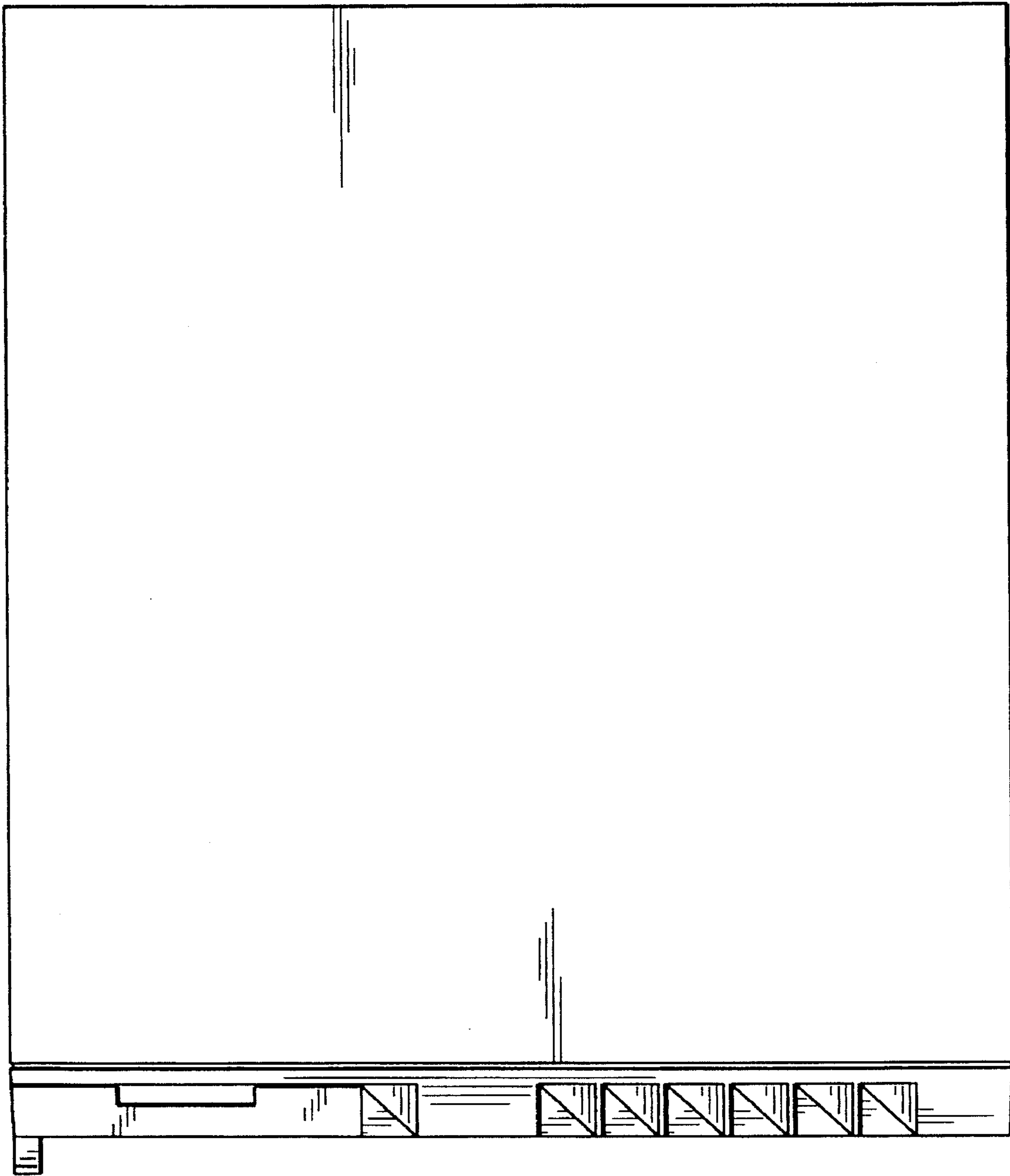
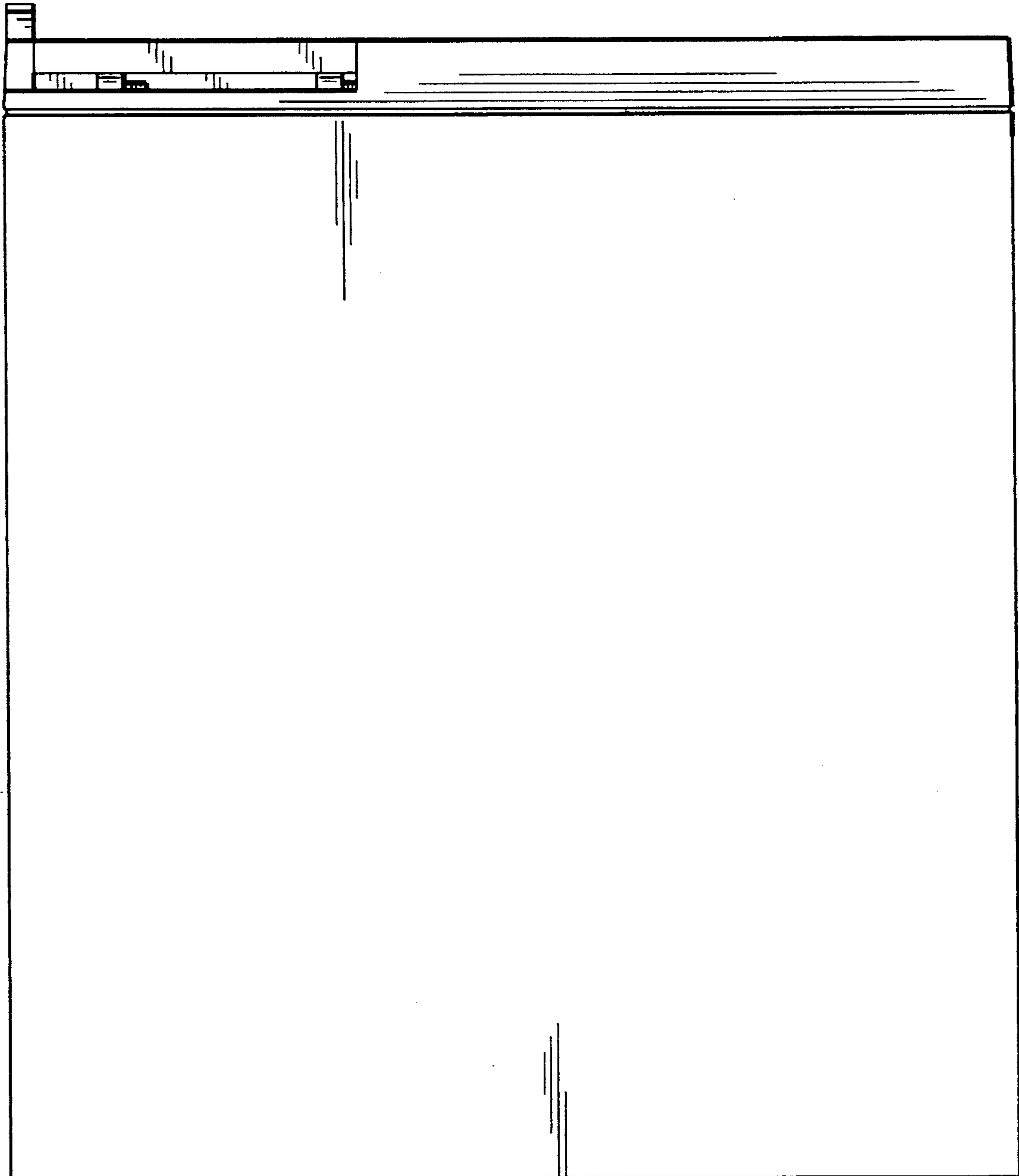


FIG. 4



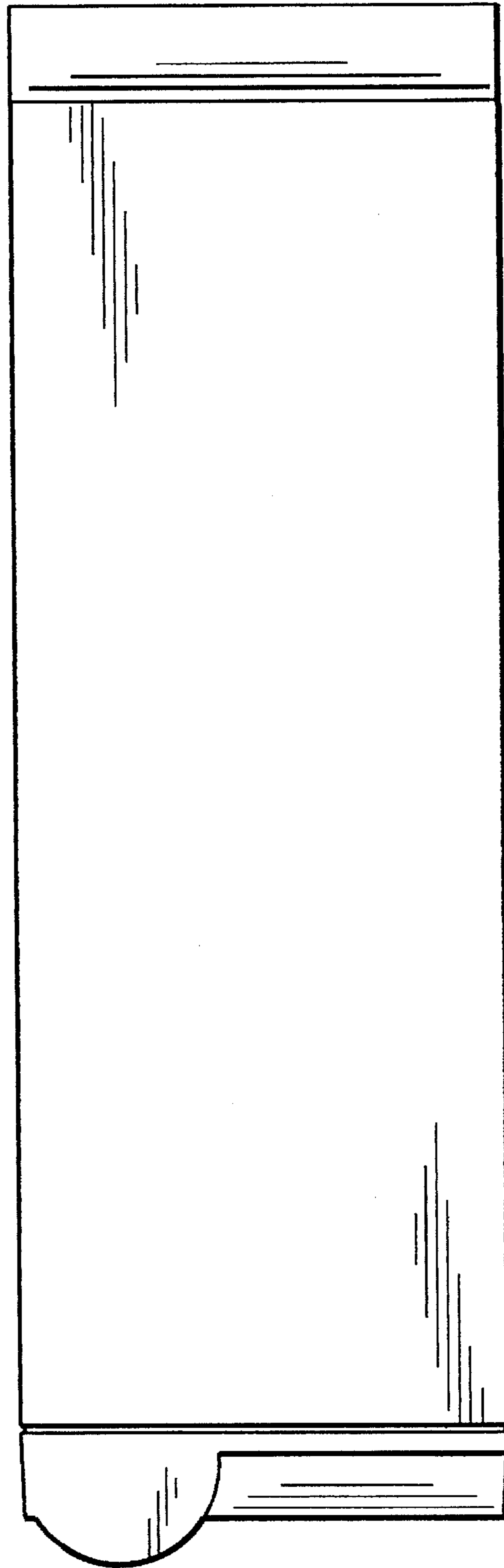


FIG. 5

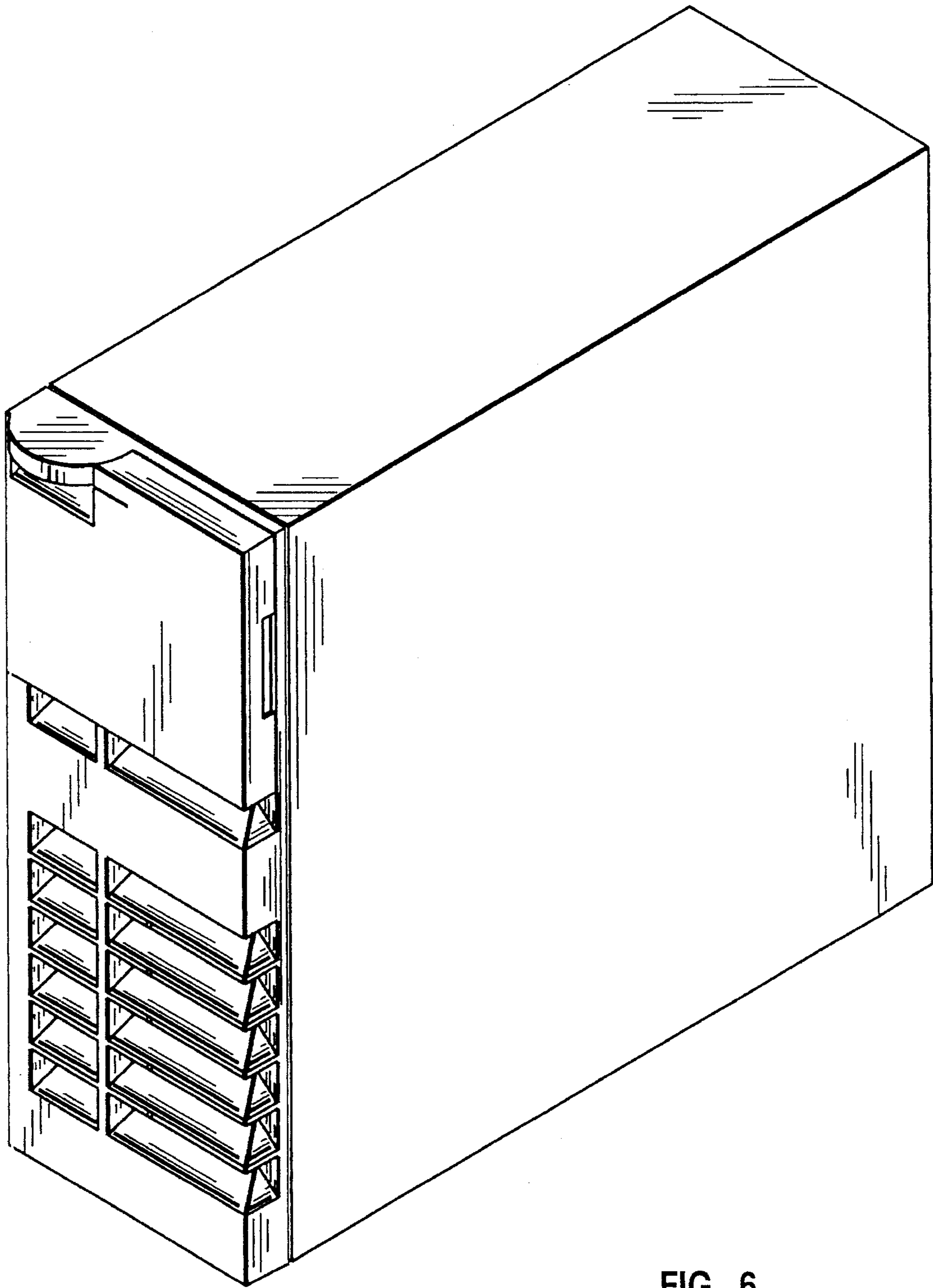


FIG. 6