



US00D376136S

United States Patent [19]

Wilson

[11] Patent Number: **Des. 376,136**

[45] Date of Patent: ****Dec. 3, 1996**

[54] **WALL MOUNTED INTERACTIVE
COMPUTERIZED INFORMATION SYSTEM**

[75] Inventor: **Donald Wilson**, Toronto, Canada

[73] Assignee: **King Products Inc.**, Mississauga,
Canada

[**] Term: **14 Years**

[21] Appl. No.: **37,824**

[22] Filed: **Apr. 21, 1995**

[30] **Foreign Application Priority Data**

Dec. 22, 1994 [CA] Canada 1994-2528

[52] U.S. Cl. **D14/100**; D14/113

[58] Field of Search D14/100, 101,
D14/106, 113, 124-129; 248/917-924;
345/104, 133, 156, 168, 173, 87, 901-905;
361/679-686; 364/708.1, 709.04, 709.12;
D20/10

[56] **References Cited**

U.S. PATENT DOCUMENTS

D. 354,483 1/1995 Yamazaki D14/113

D. 359,727 6/1995 Wilson D14/113 X
D. 363,468 10/1995 Miki et al. D14/113 X

Primary Examiner—Freda Nunn
Attorney, Agent, or Firm—Sim & McBurney

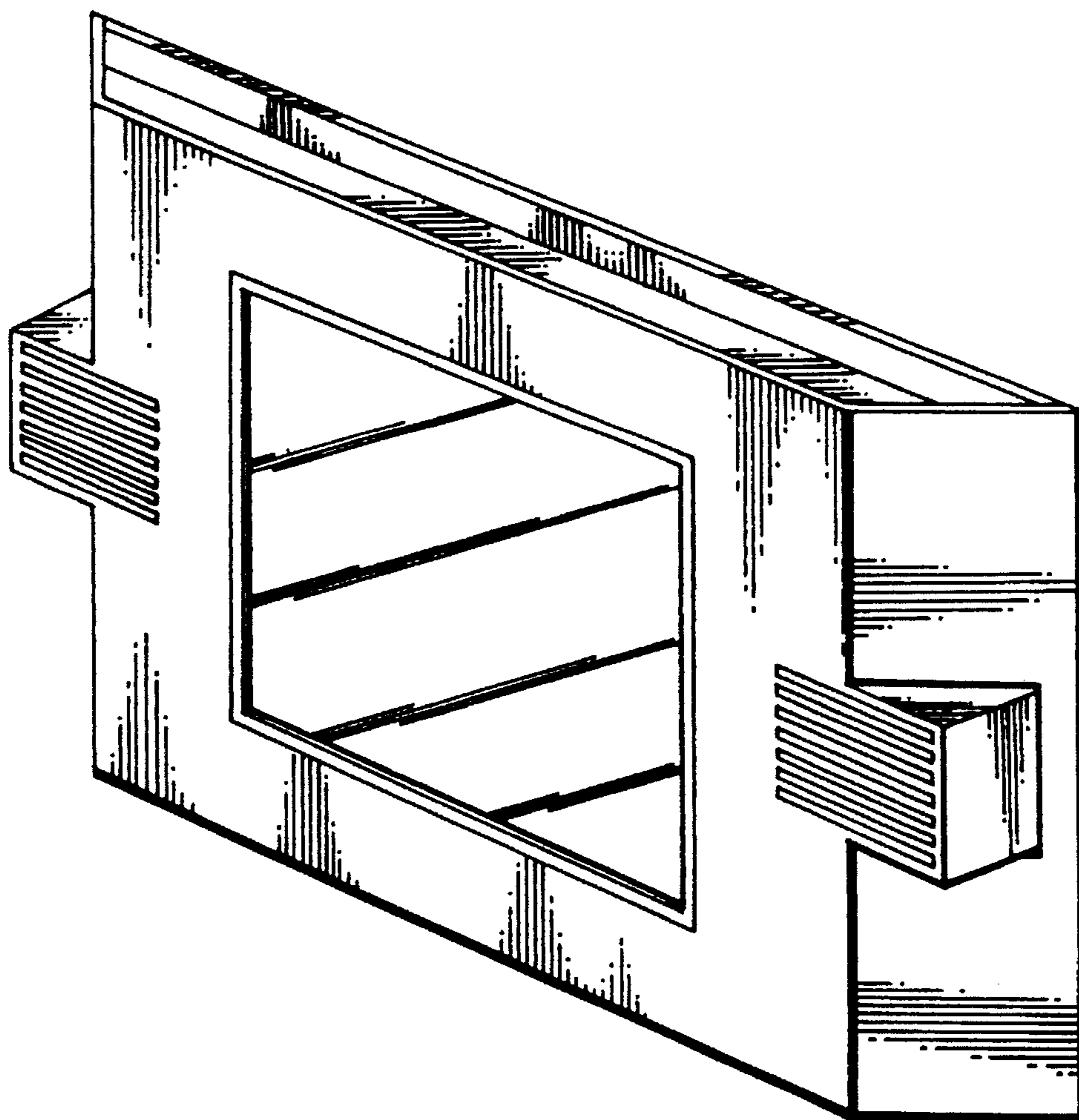
[57] **CLAIM**

The ornamental design for a wall mounted interactive computerized information system, as shown and described.

DESCRIPTION

FIG. 1 is a perspective view of the wall mounted interactive computerized information system according to my design; FIG. 2 is a front elevation view of the system shown in FIG. 1; FIG. 3 is a right side elevation view of the system shown in FIG. 1; FIG. 4 is a left side elevation view of the system shown in FIG. 1; FIG. 5 is a rear elevation view of the system shown in FIG. 1; FIG. 6 is a top plan view of the system shown in FIG. 1; and, FIG. 7 is a bottom plan view of the system shown in FIG. 1.

1 Claim, 2 Drawing Sheets



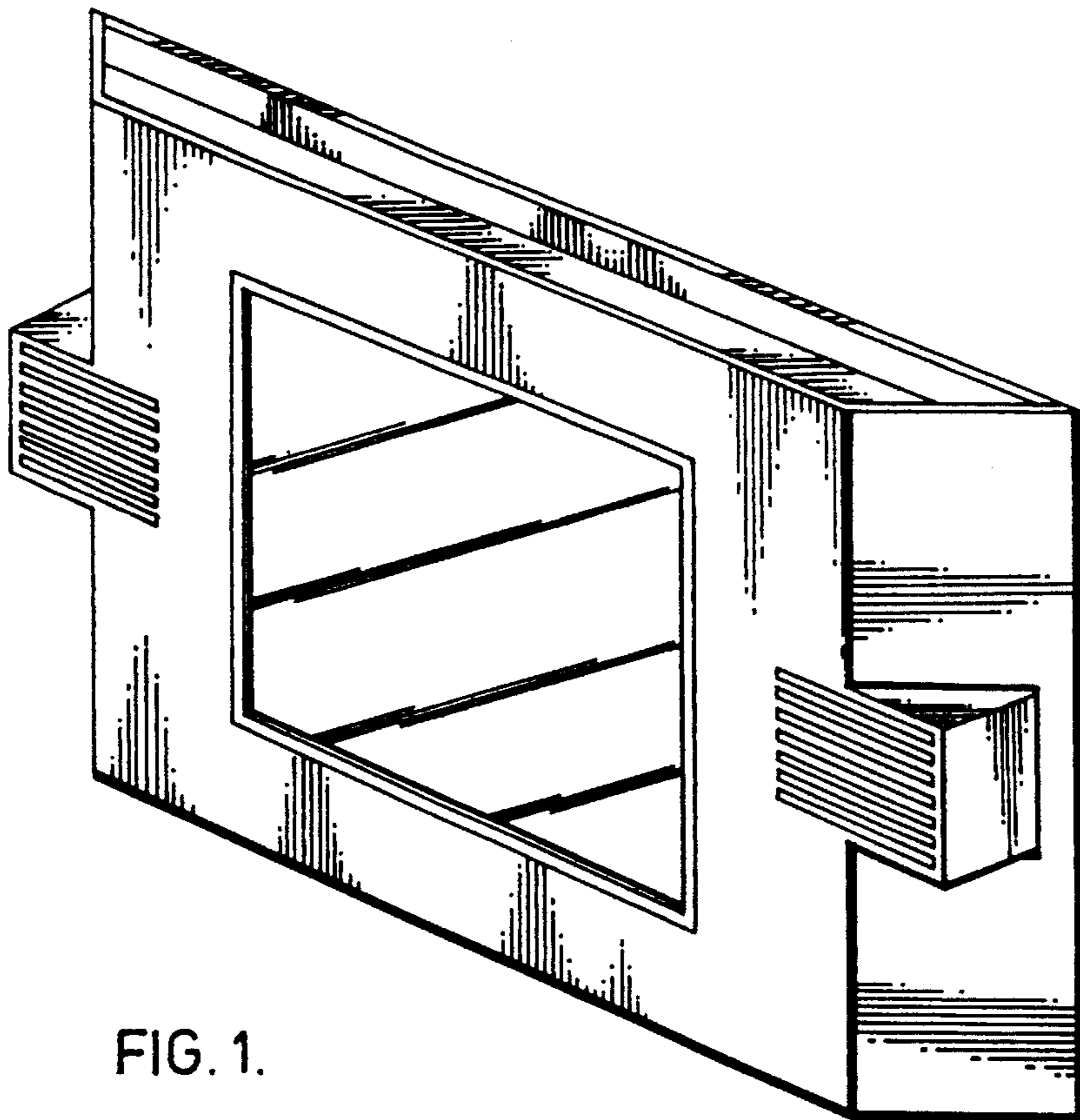
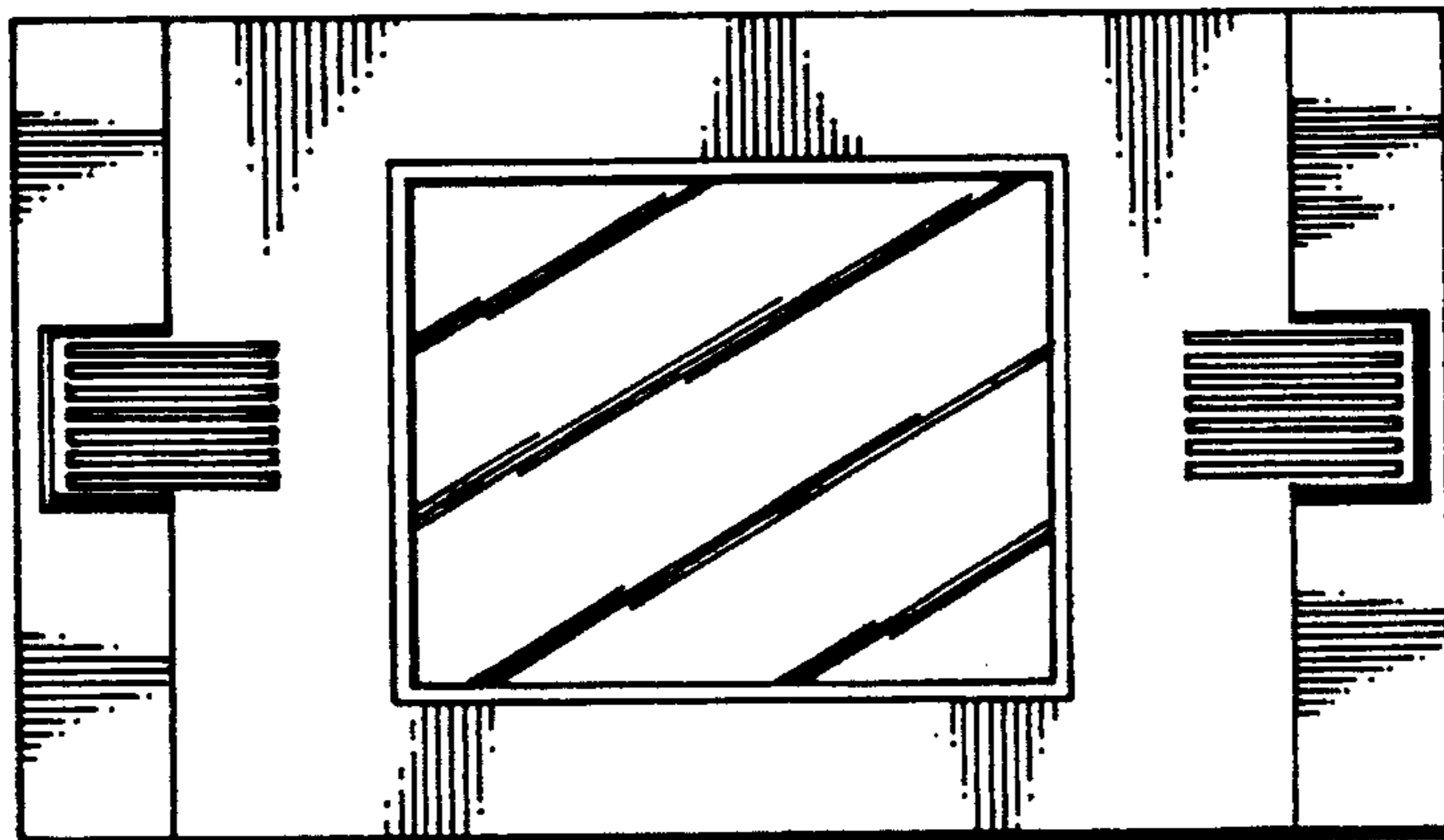


FIG. 1.

FIG. 2.



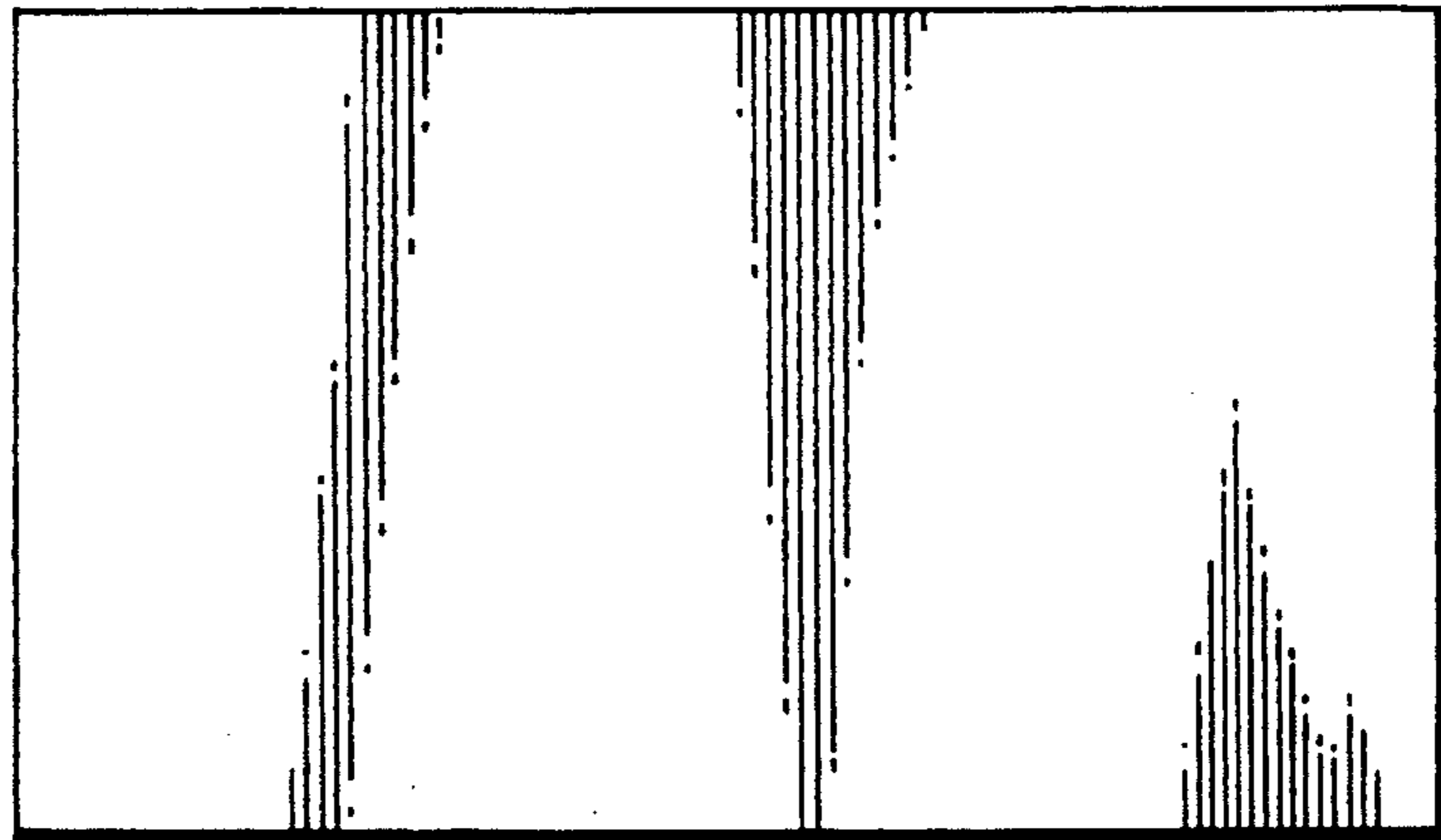


FIG. 5.

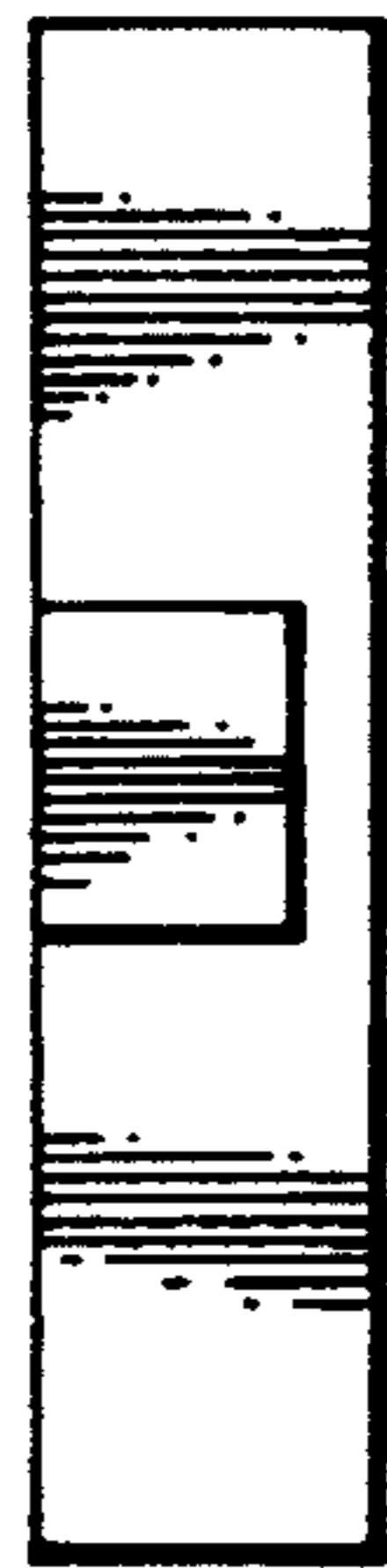


FIG. 3.



FIG. 4.



FIG. 6.

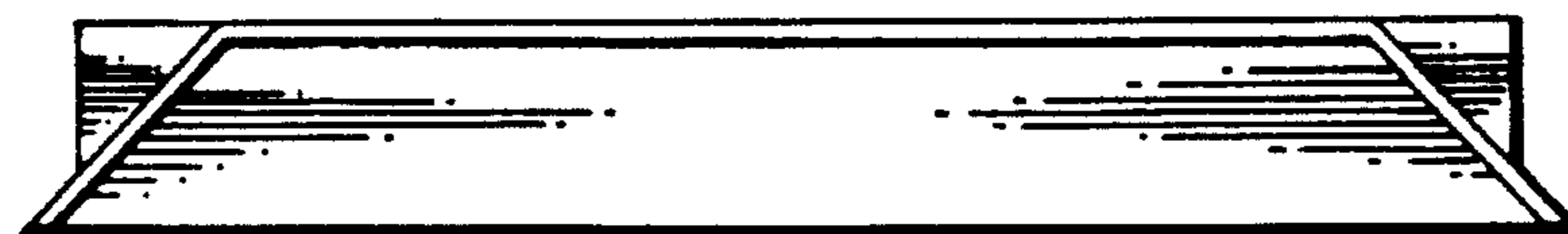


FIG. 7.