



US00D376133S

United States Patent [19]

Kerklaan

[11] Patent Number: **Des. 376,133**

[45] Date of Patent: ****Dec. 3, 1996**

[54] **JACKETED CIRCUIT CARD**

[75] Inventor: **Albert J. Kerklaan**, Milton, Canada

[73] Assignee: **International Business Machines Corporation**, Armonk, N.Y.

[*] Notice: The portion of the term of this patent subsequent to Nov. 26, 2010, has been disclaimed.

[**] Term: **14 Years**

[21] Appl. No.: **9,270**

[22] Filed: **Jun. 7, 1993**

[30] **Foreign Application Priority Data**

Dec. 8, 1992 [CA] Canada 08-12-92-6

[52] U.S. Cl. **D13/182**

[58] Field of Search D13/182; D14/105, D14/107, 114, 117; 174/52.1, 35 R; 361/679, 728, 736, 737, 742, 752, 802, 818; 439/328, 377; 257/679

[56] **References Cited**

U.S. PATENT DOCUMENTS

D. 261,644 11/1981 McKinsey et al. D14/114

D. 298,327	11/1988	Kimura	D14/114
D. 301,341	5/1989	Miyashita	D14/114
D. 305,886	2/1990	Banjo et al.	D14/117
5,031,076	7/1991	Kiku	174/35 R X
5,107,073	4/1992	Steffen	174/52.1
5,214,498	5/1993	Lehman et al.	257/678
5,333,100	7/1994	Anhalt et al.	361/818
5,339,222	8/1994	Simmons et al.	361/818

Primary Examiner—Joel Sincavage
Attorney, Agent, or Firm—Anthony N. Magistrale

[57] **CLAIM**

The ornamental design for a jacketed circuit card, as shown.

DESCRIPTION

FIG. 1 is a left side view of a jacketed circuit card showing my new design;

FIG. 2 is a front view thereof shown on a larger scale;

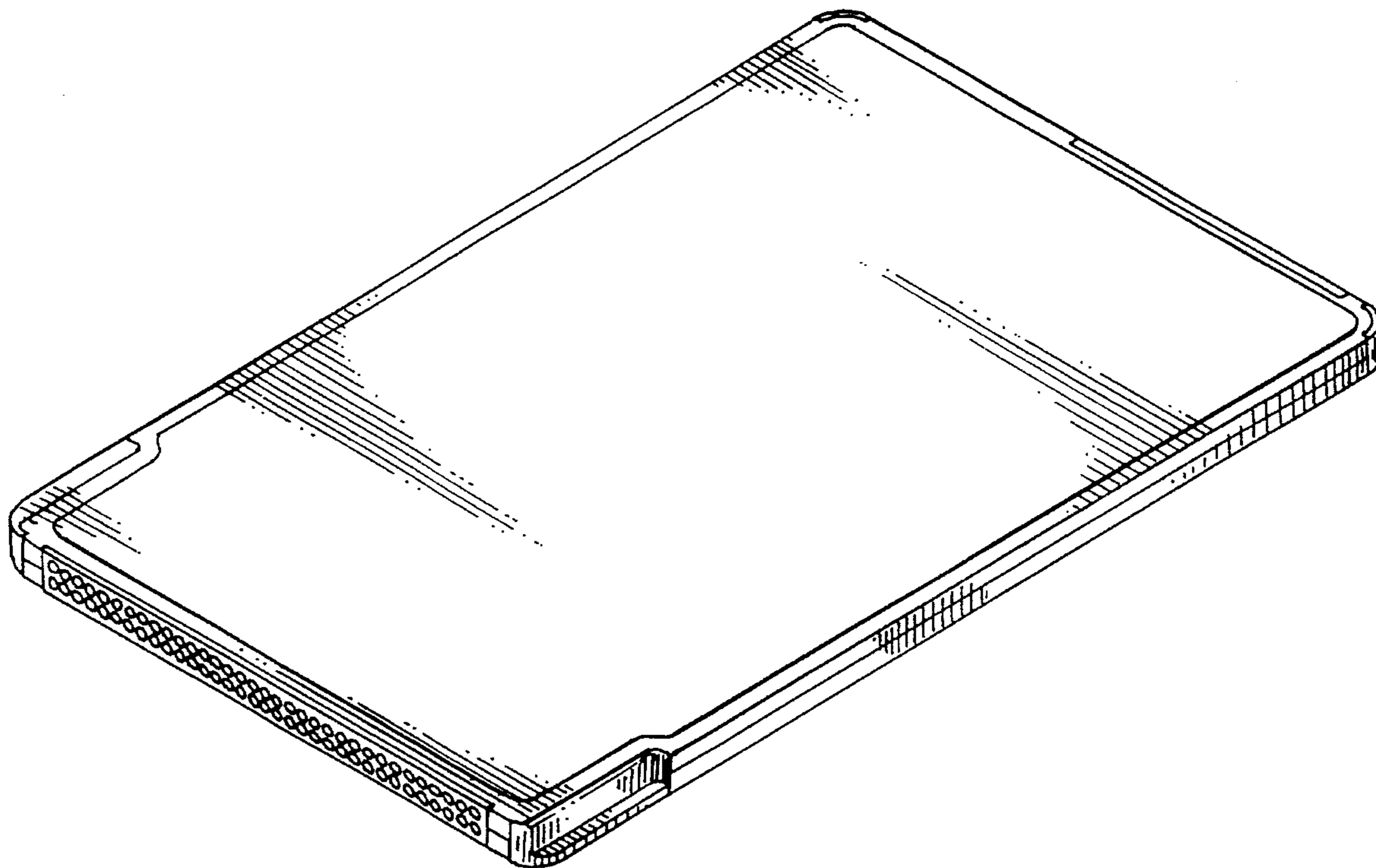
FIG. 3 is a front and upper right isometric view thereof;

FIG. 4 is a top view thereof;

FIG. 5 is a rear view thereof shown on the same scale as FIG. 2; and,

FIG. 6 is a right side view thereof.

1 Claim, 3 Drawing Sheets



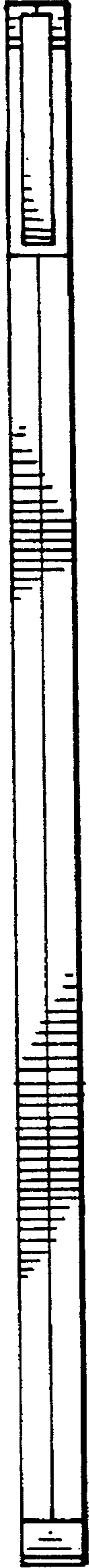


FIG. 1

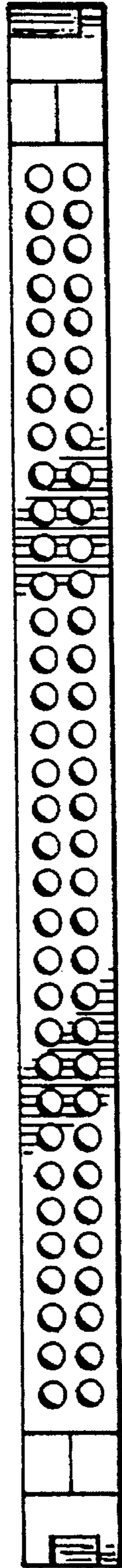


FIG. 2

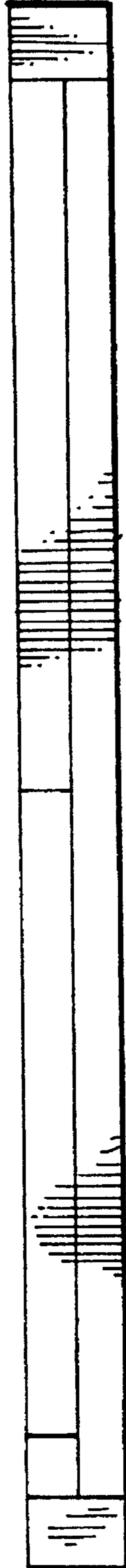


FIG. 5



FIG. 6

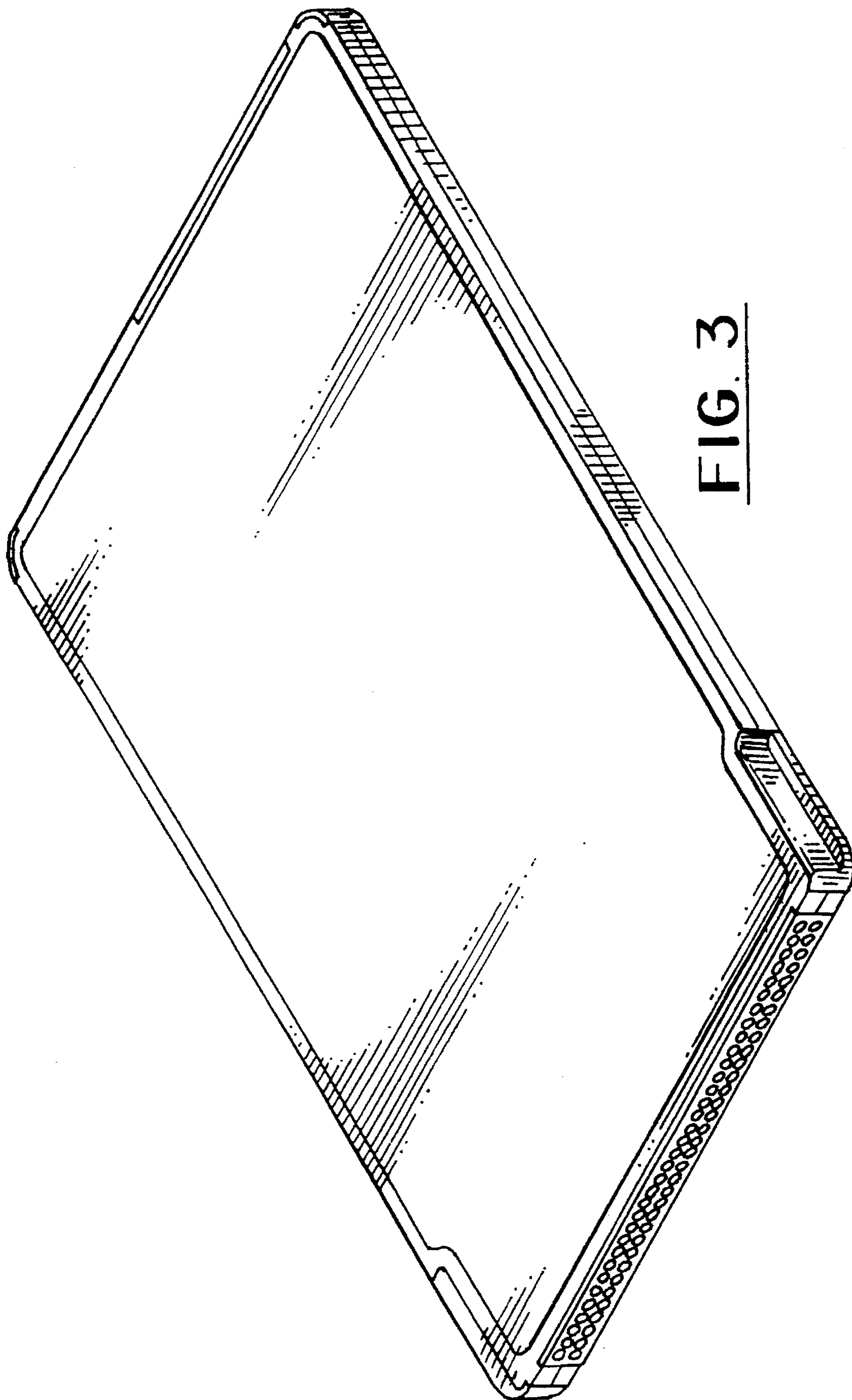


FIG. 3

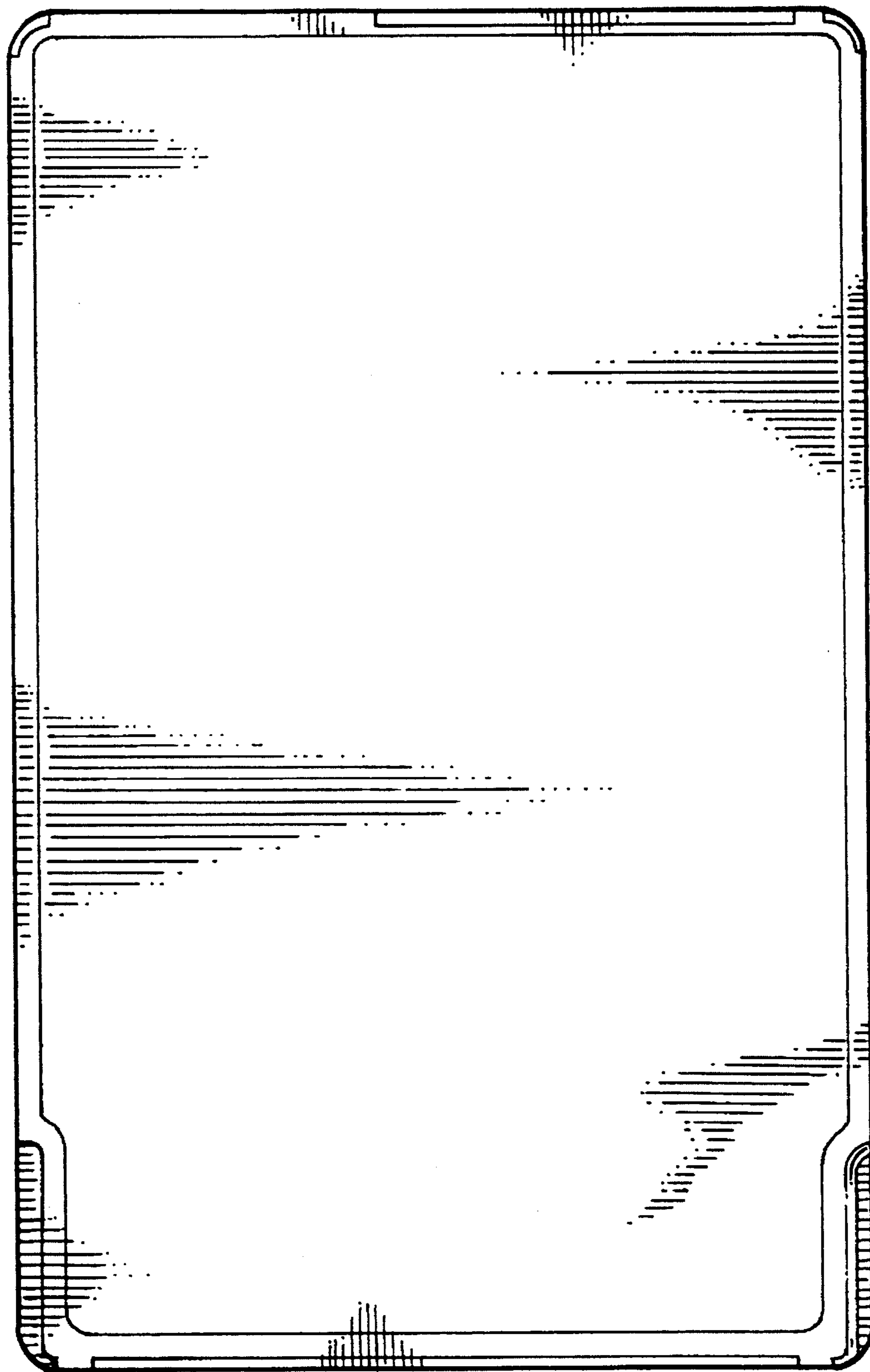


FIG. 4