



US00D376131S

United States Patent [19]
Myers

[11] **Patent Number: Des. 376,131**
[45] **Date of Patent: **Dec. 3, 1996**

[54] **MOTORCYCLE IGNITION SWITCH AND STEERING LOCK**

5,291,067 3/1994 Nakajima et al. 70/252 X

[75] Inventor: **Gary L. Myers, Monee, Ill.**

Primary Examiner—Joel Sincavage
Attorney, Agent, or Firm—Leydig, Voit & Mayer, Ltd.

[73] Assignee: **Fort Lock Corporation, River Grove, Ill.**

[57] **CLAIM**

[**] Term: **14 Years**

The ornamental design for a motorcycle ignition switch and steering lock, as shown and described.

[21] Appl. No.: **38,854**

DESCRIPTION

[22] Filed: **May 11, 1995**

FIG. 1 is a top perspective view the motorcycle ignition switch and steering lock;

Related U.S. Application Data

[62] Division of Ser. No. 19,924, Mar. 15, 1994.

FIG. 2 is a rear side elevational view thereof;

[52] **U.S. Cl.** **D13/158**

FIG. 3 is a left side elevational view thereof;

[58] **Field of Search** D13/126, 158;
70/252; 180/271, 287; 200/43.03

FIG. 4 is a front side elevational view thereof; and,

FIG. 5 is a top plan view thereof.

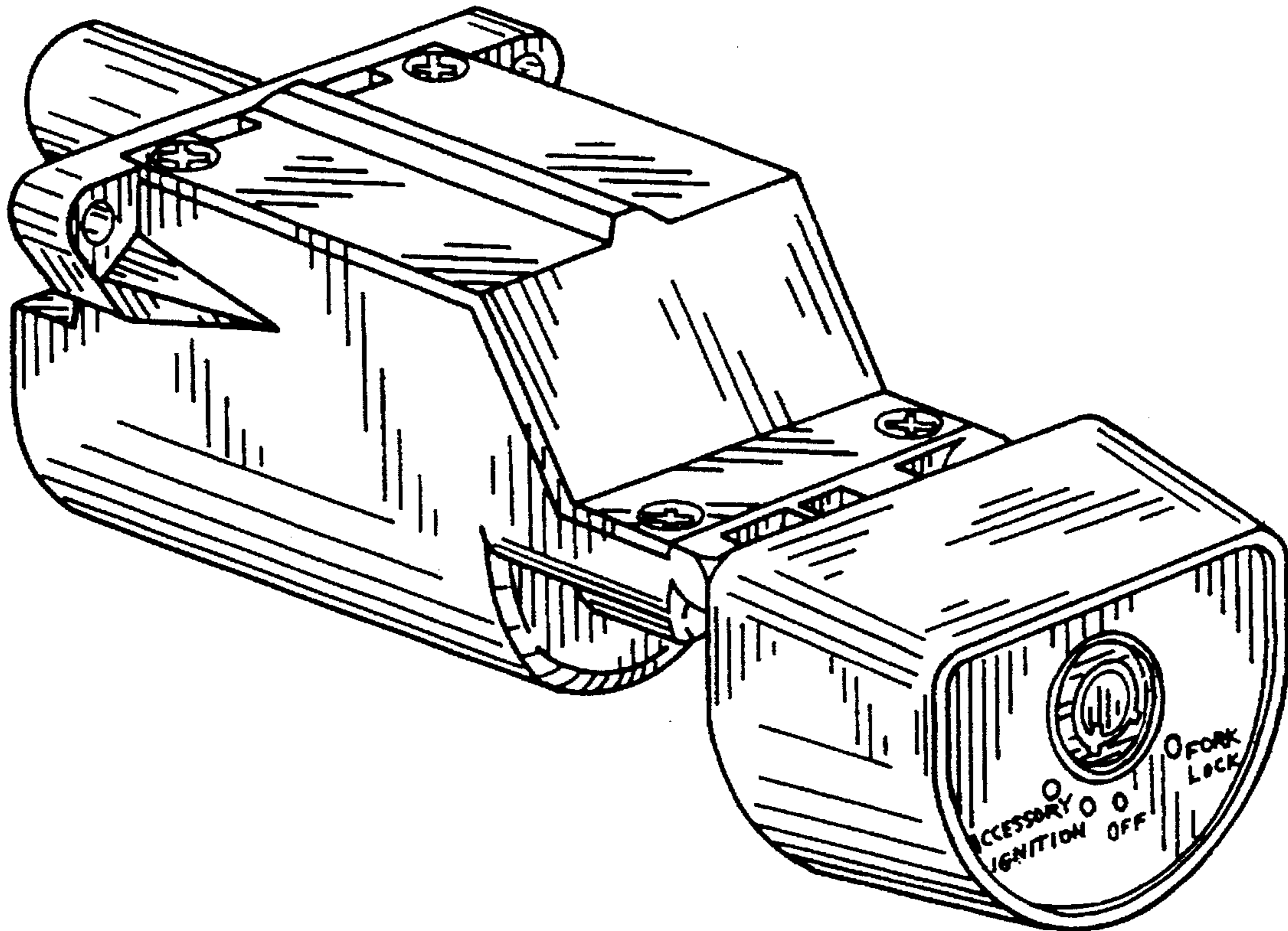
The switch and steering lock as seen from the rear forms no part of the claimed design.

[56] **References Cited**

U.S. PATENT DOCUMENTS

5,197,312 3/1993 Akutsu 70/252 X

1 Claim, 3 Drawing Sheets



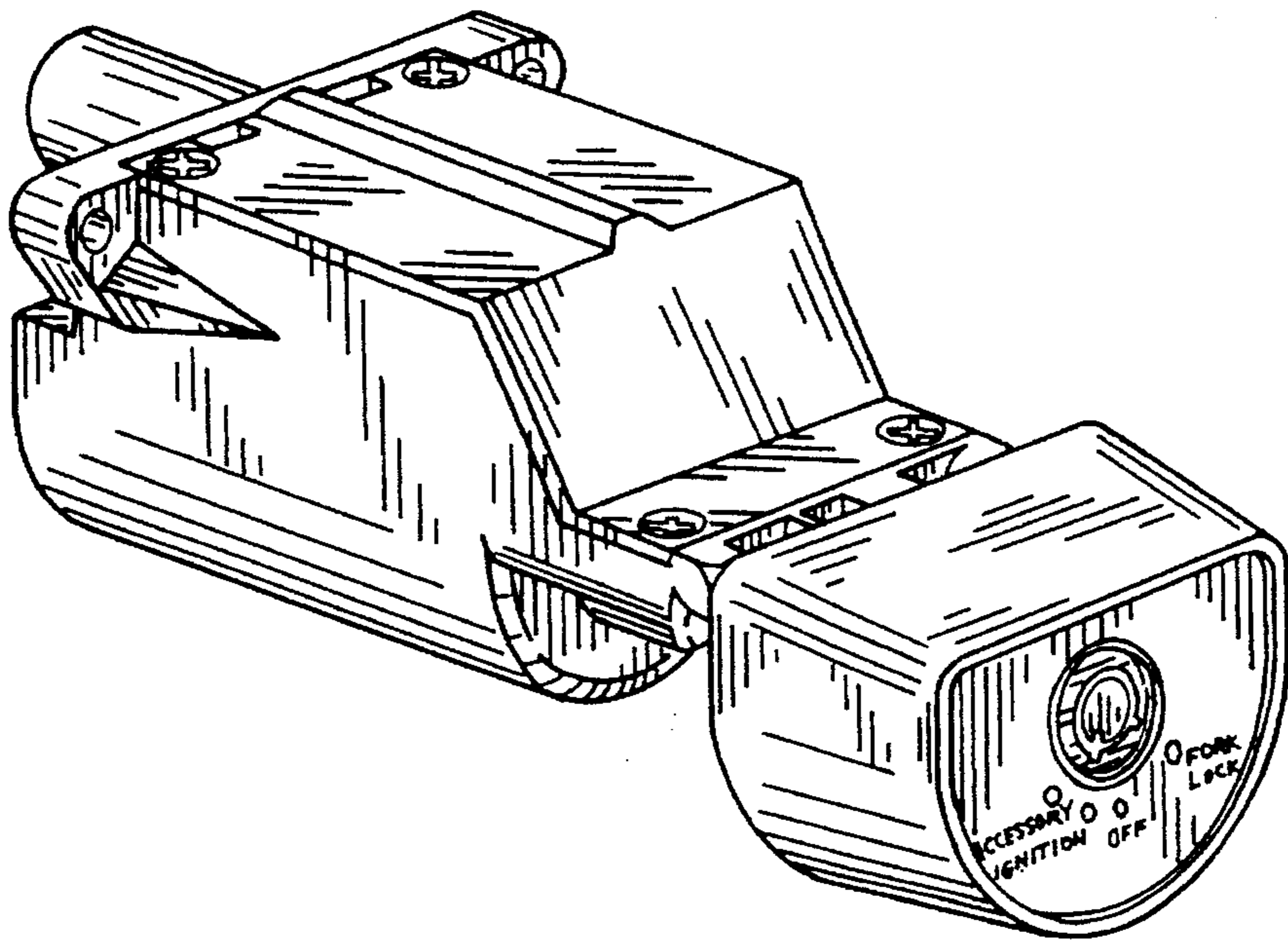


FIG. 1

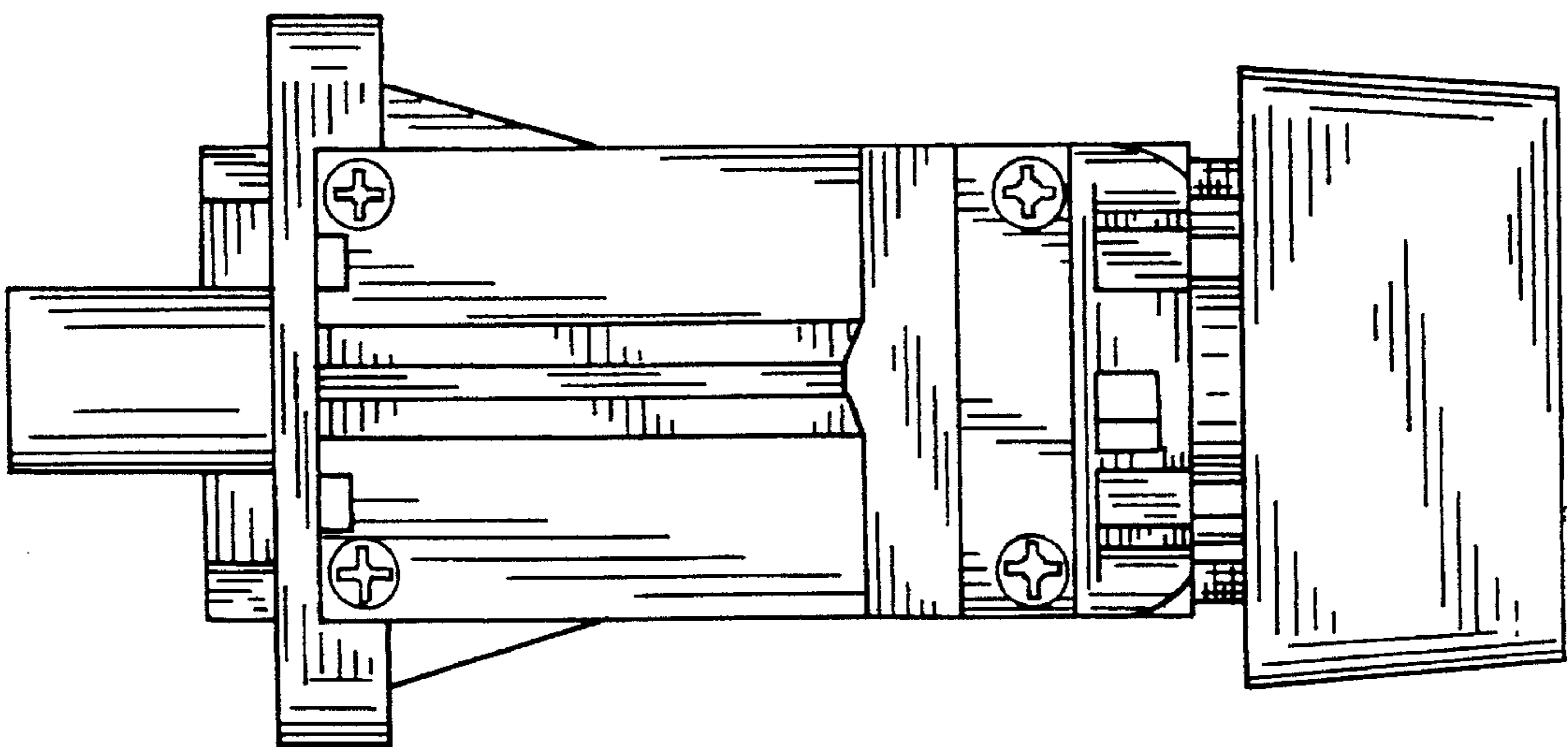


FIG. 2

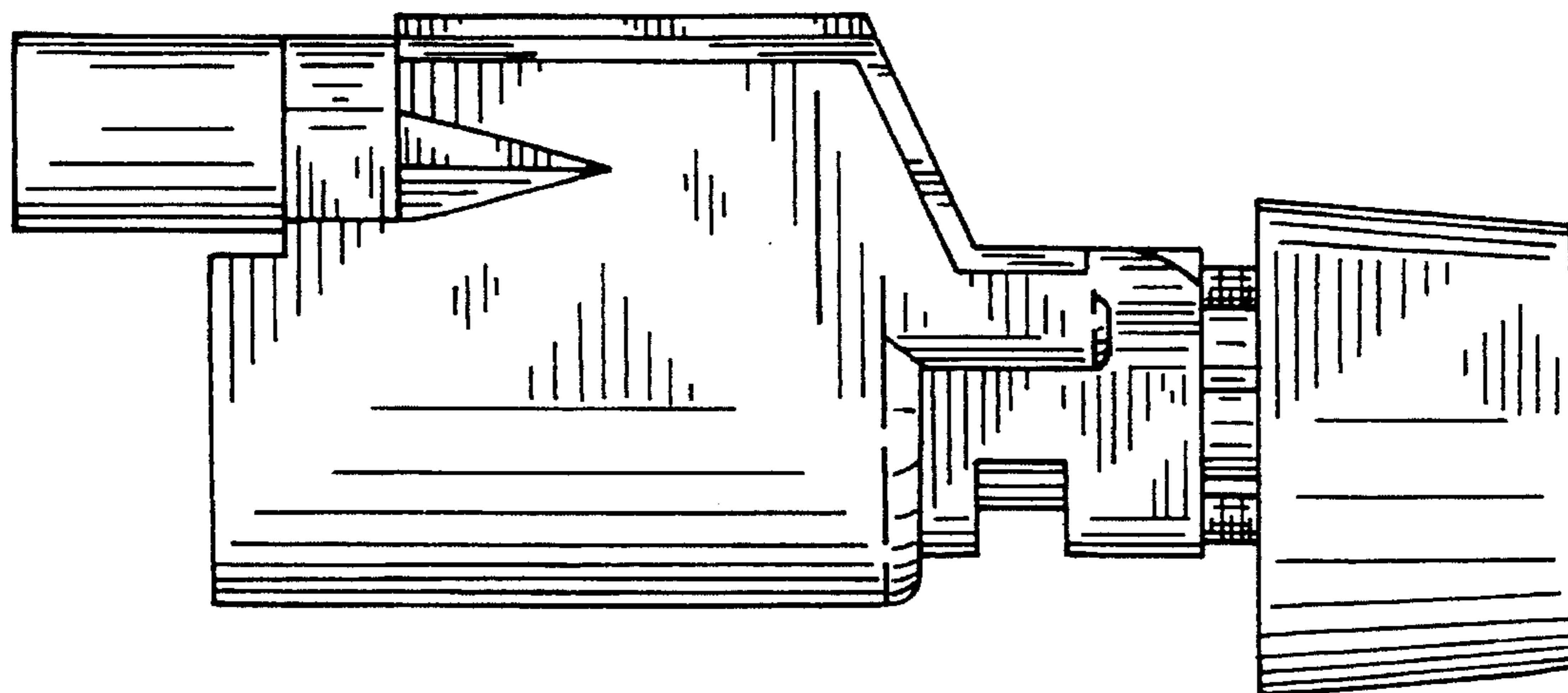


FIG. 3

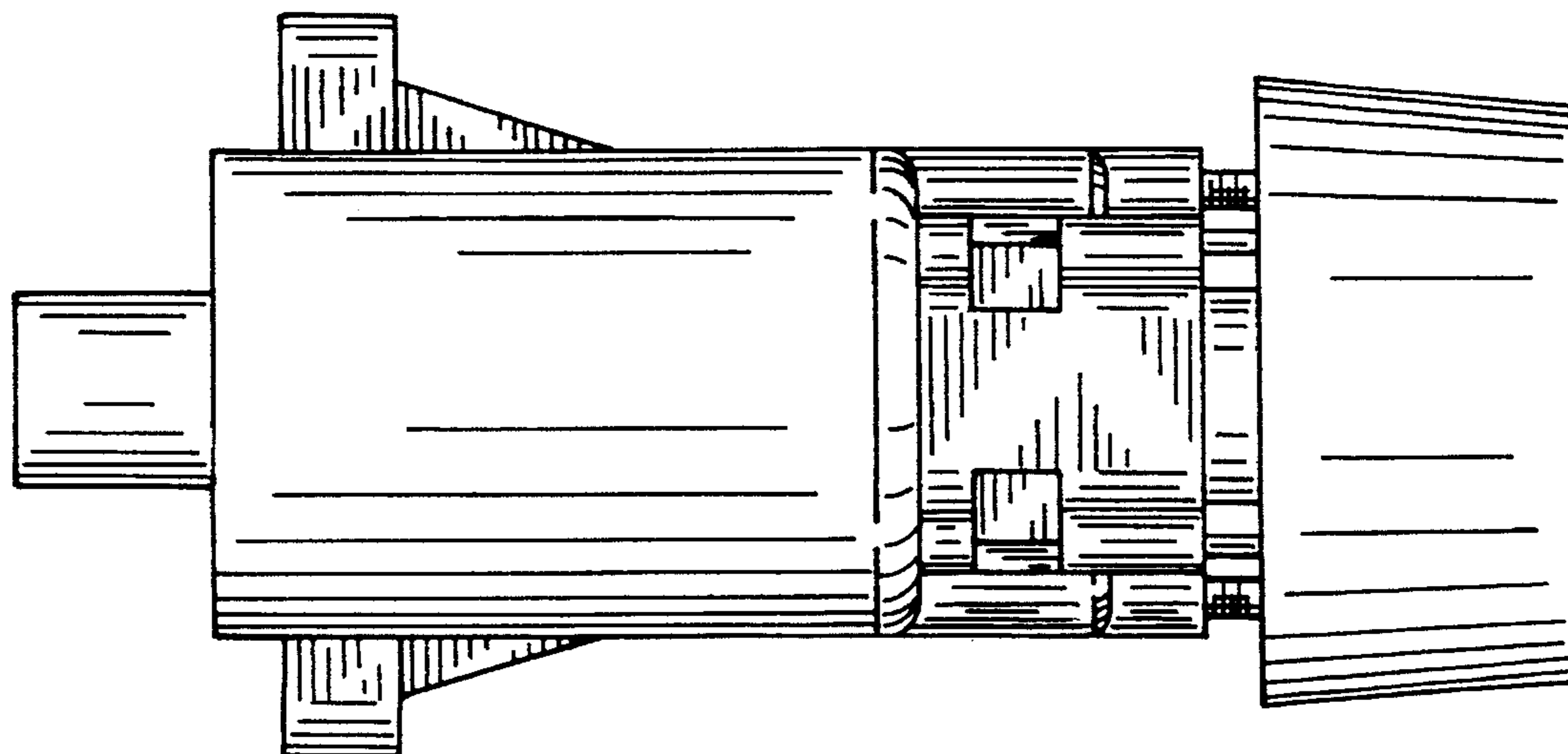


FIG. 4

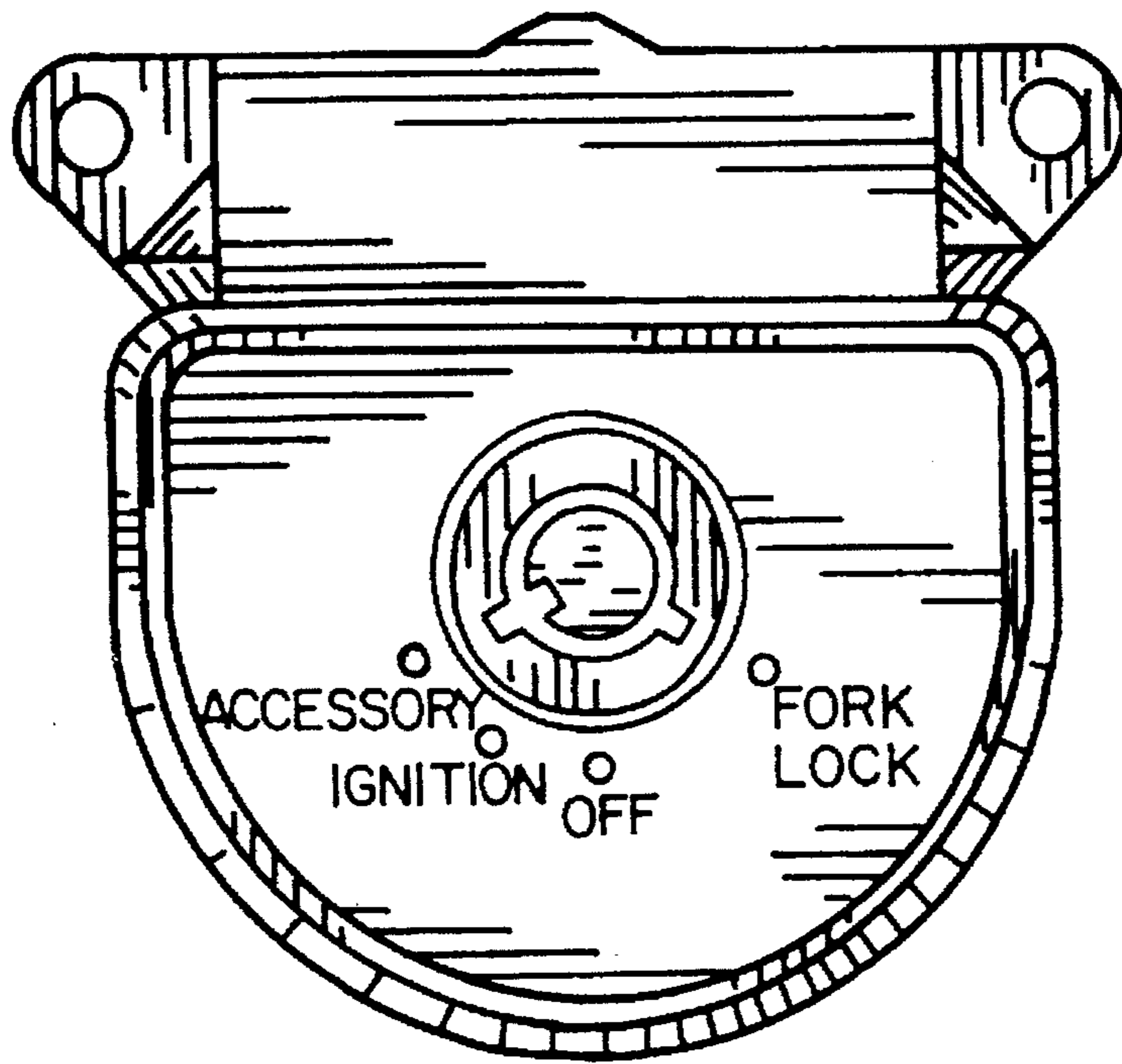


FIG. 5