



US00D376126S

# United States Patent [19]

Henderson et al.

[11] Patent Number: **Des. 376,126**

[45] Date of Patent: **\*\*Dec. 3, 1996**

[54] **TRANSDUCER CONNECTOR CASE**

[75] Inventors: **Richard W. Henderson**, Fremont;  
**Joseph J. Molinari**, Redwood City;  
**Robert Mesaros**, San Jose; **Kenneth D. Wood**, Woodside; **Andrew L. Zee**, San Mateo, all of Calif.

[73] Assignee: **Acuson Corporation**, Mountain View, Calif.

[\*\*] Term: **14 Years**

[21] Appl. No.: **36,883**

[22] Filed: **Mar. 29, 1995**

[52] U.S. Cl. .... **D13/101; D24/187**

[58] Field of Search ..... **D13/101; D24/186, D24/187; 128/662.03, 662.04**

[56] **References Cited**

**U.S. PATENT DOCUMENTS**

D. 328,495 8/1992 Ungari ..... D24/187  
4,149,419 4/1979 Connell, Jr. et al. .... 128/662.03

*Primary Examiner*—Joel Sincavage

*Attorney, Agent, or Firm*—Liza K. Toth

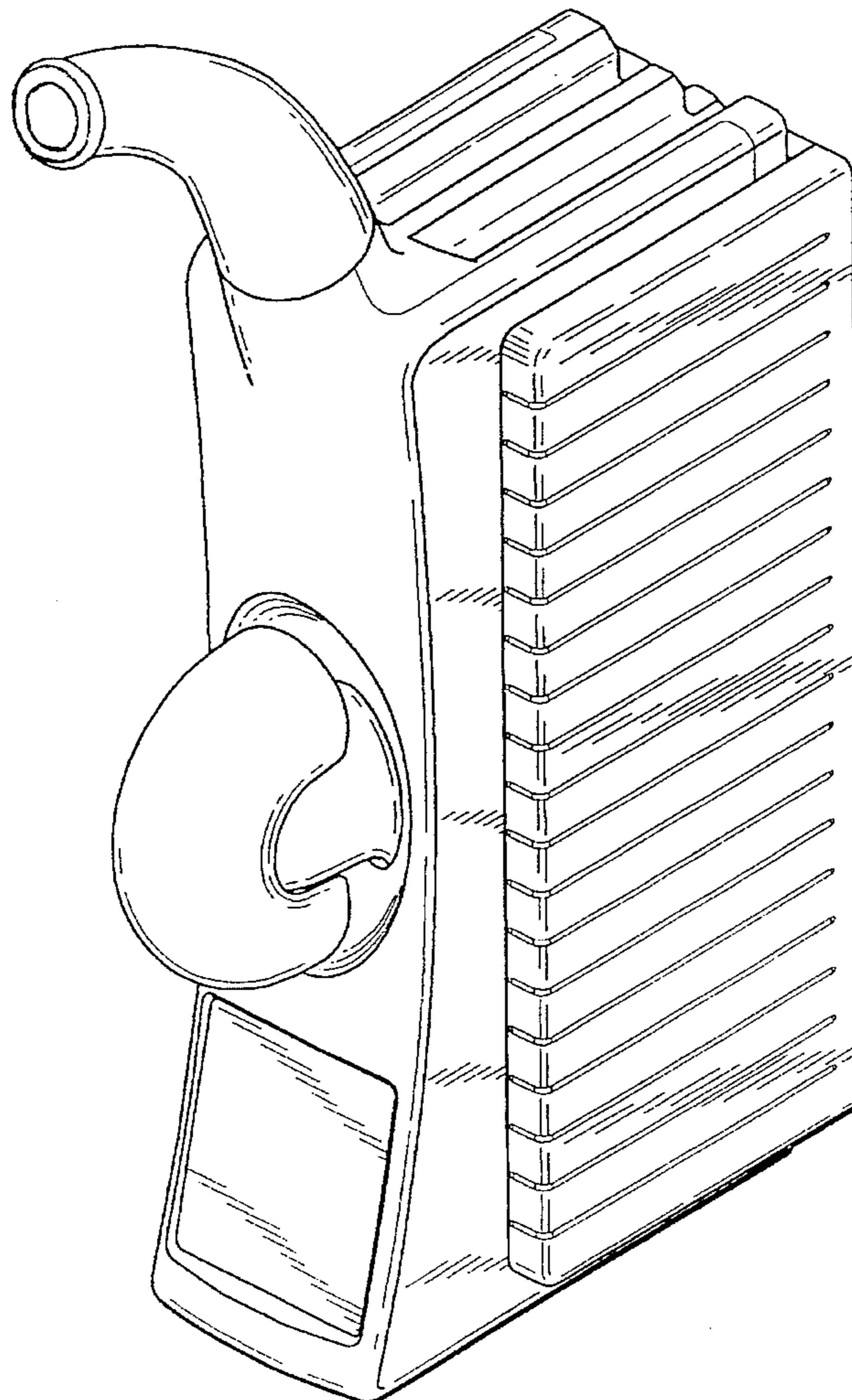
[57] **CLAIM**

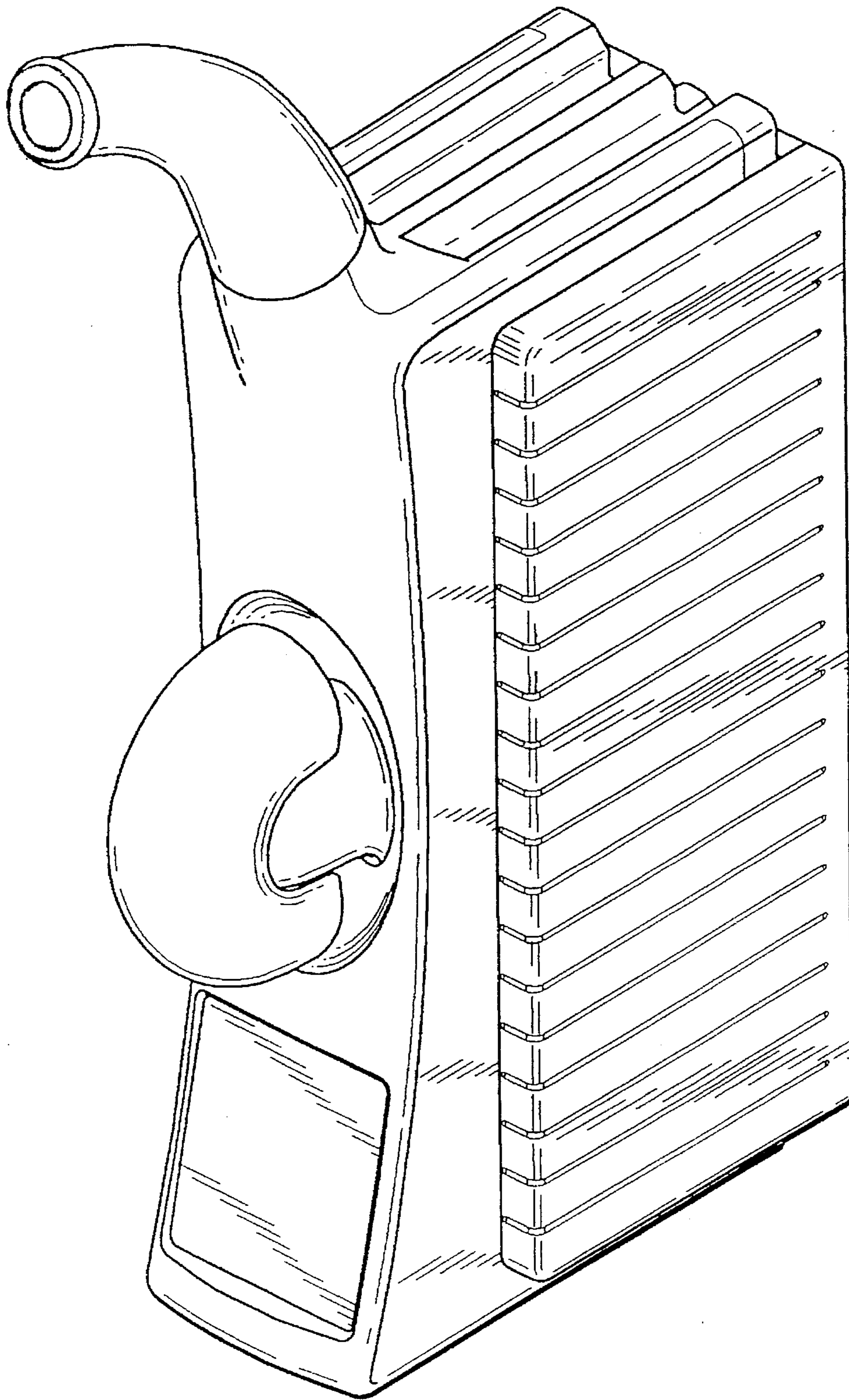
The ornamental design for a transducer connector case, as shown.

**DESCRIPTION**

FIG. 1 is the front isometric view of the transducer connector case design of the invention;  
FIG. 2 is the rear isometric view of the transducer connector case design of the invention;  
FIG. 3 is the left view of the transducer connector case design of the invention;  
FIG. 4 is the top view of the transducer connector case design of the invention;  
FIG. 5 is the front view of the transducer connector case design of the invention;  
FIG. 6 is the bottom view of the transducer connector case design of the invention;  
FIG. 7 is the right view of the transducer connector case design of the invention; and,  
FIG. 8 is the back view of the transducer connector case design of the invention.

**1 Claim, 8 Drawing Sheets**





*FIG. 1*

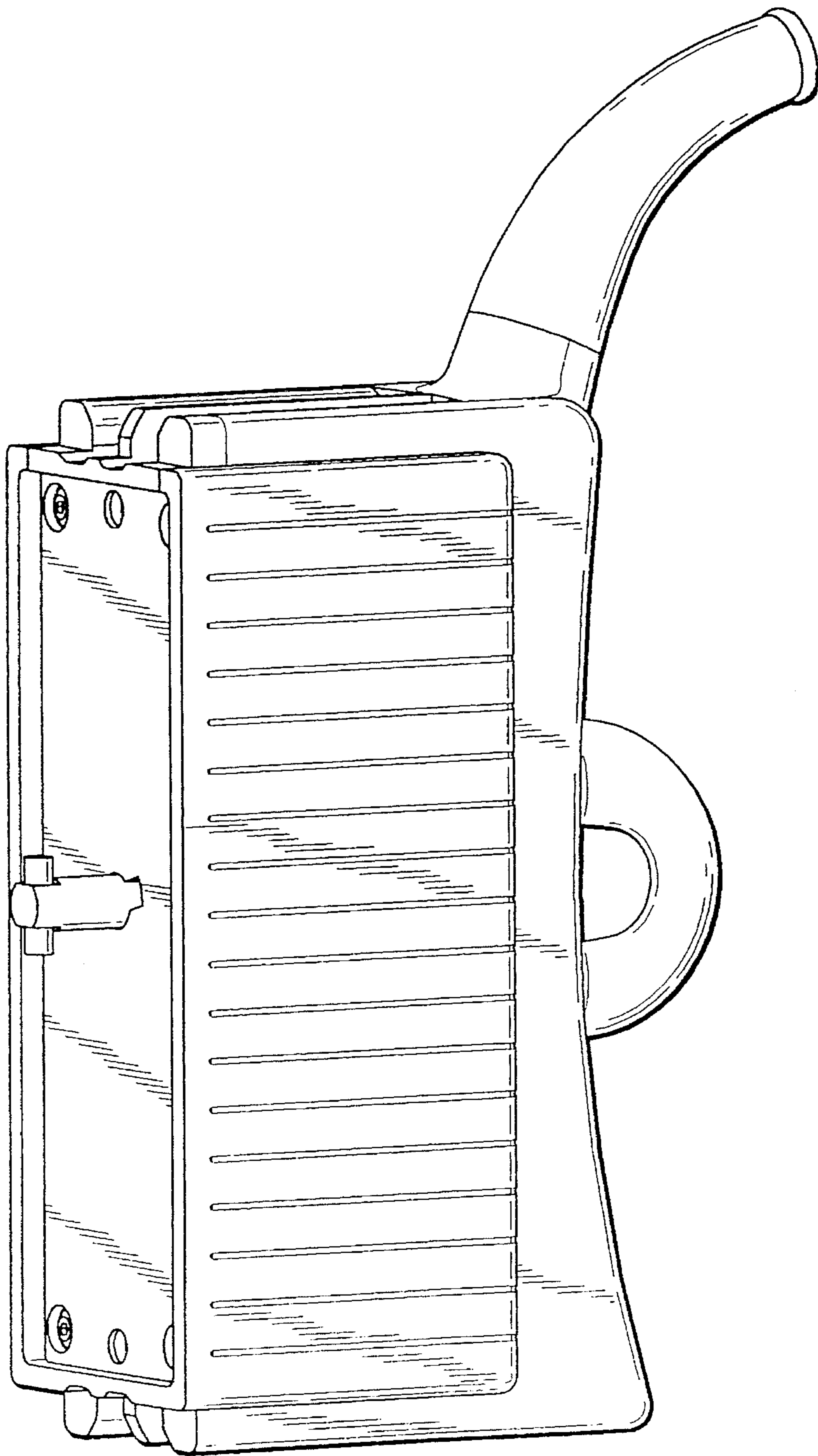


FIG. 2



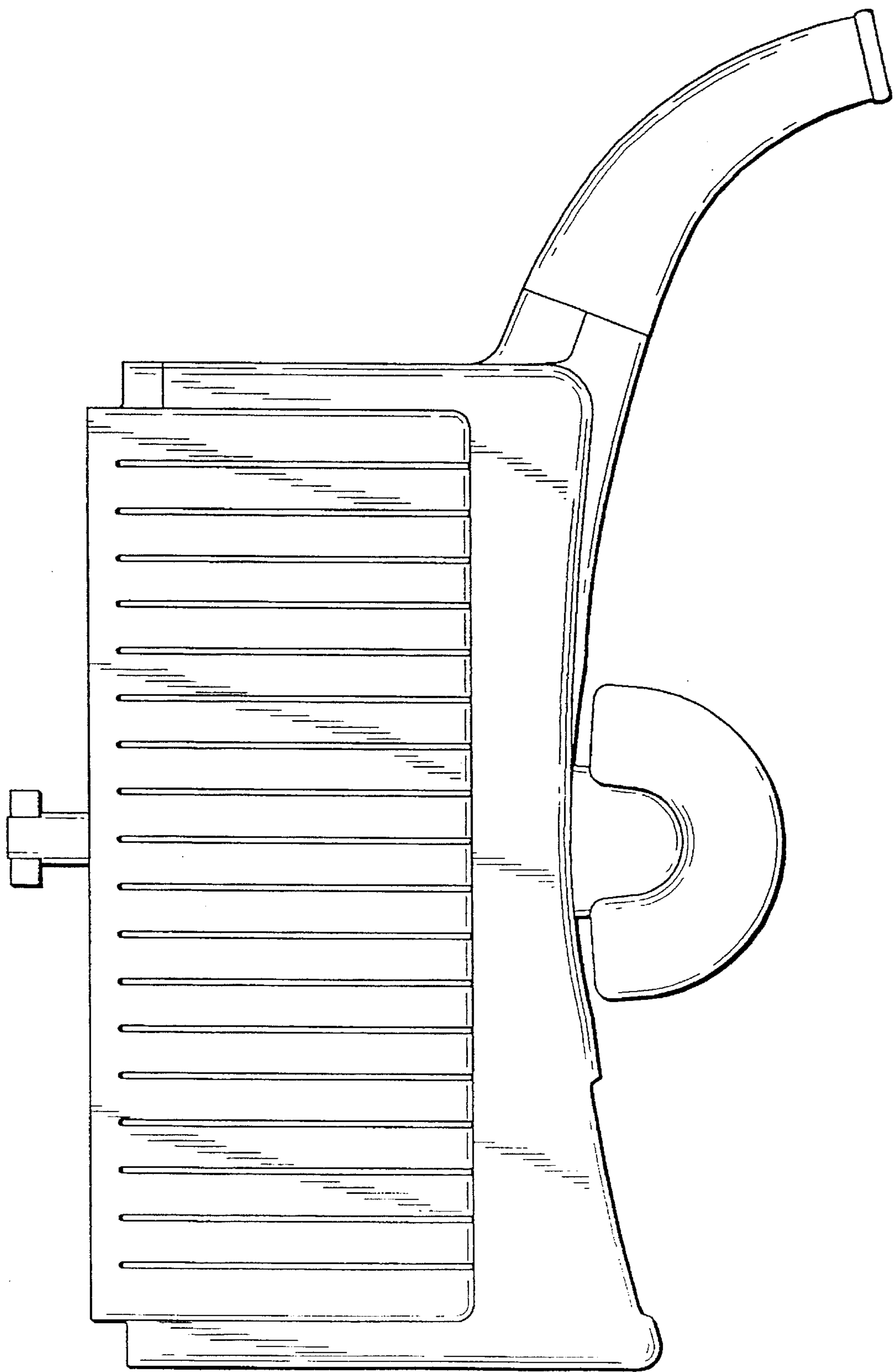
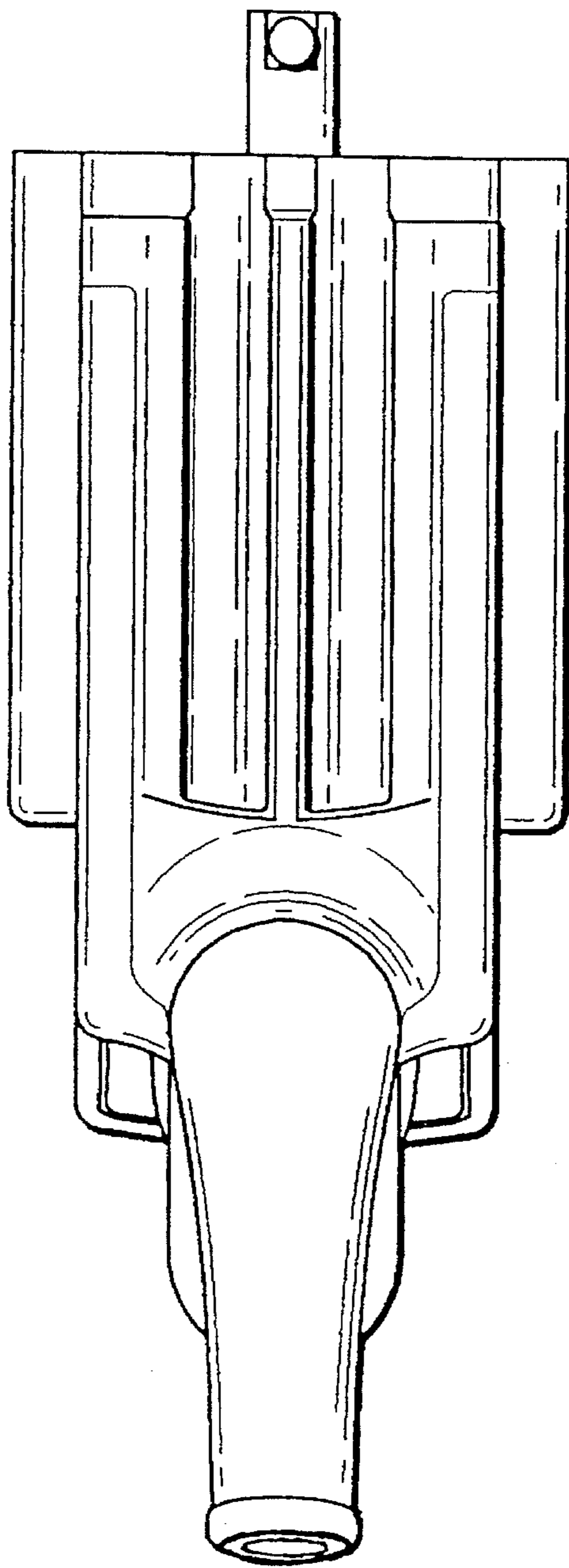
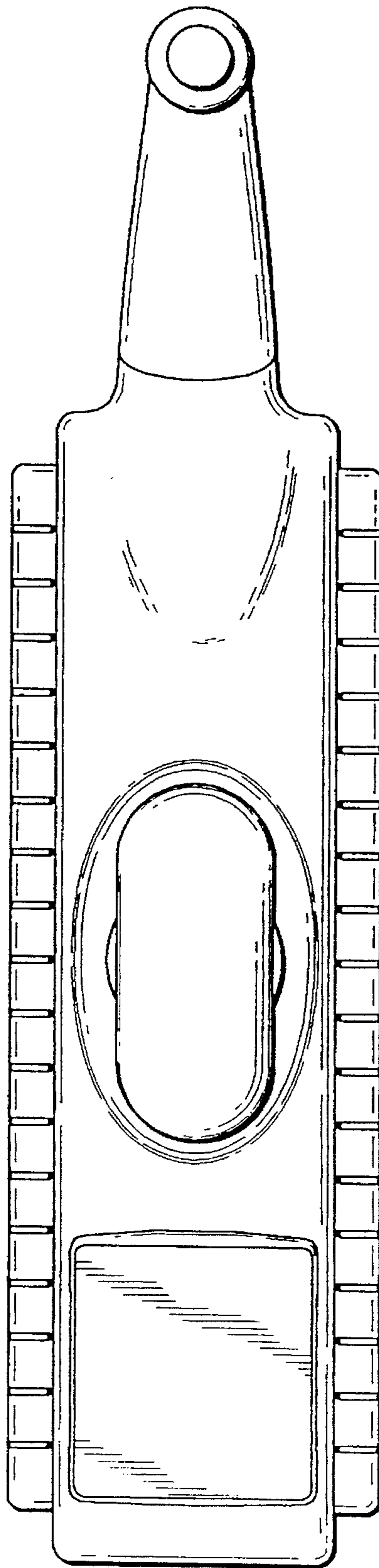


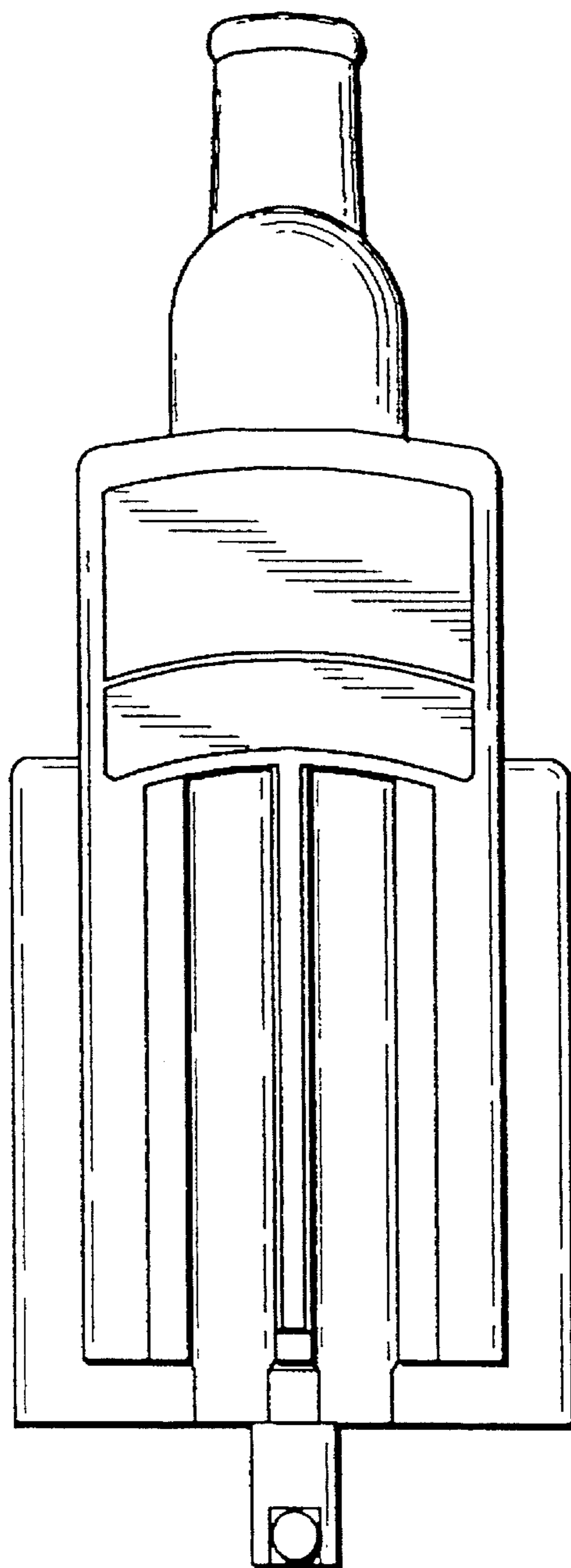
FIG. 3



*FIG. 4*



*FIG. 5*



*FIG. 6*

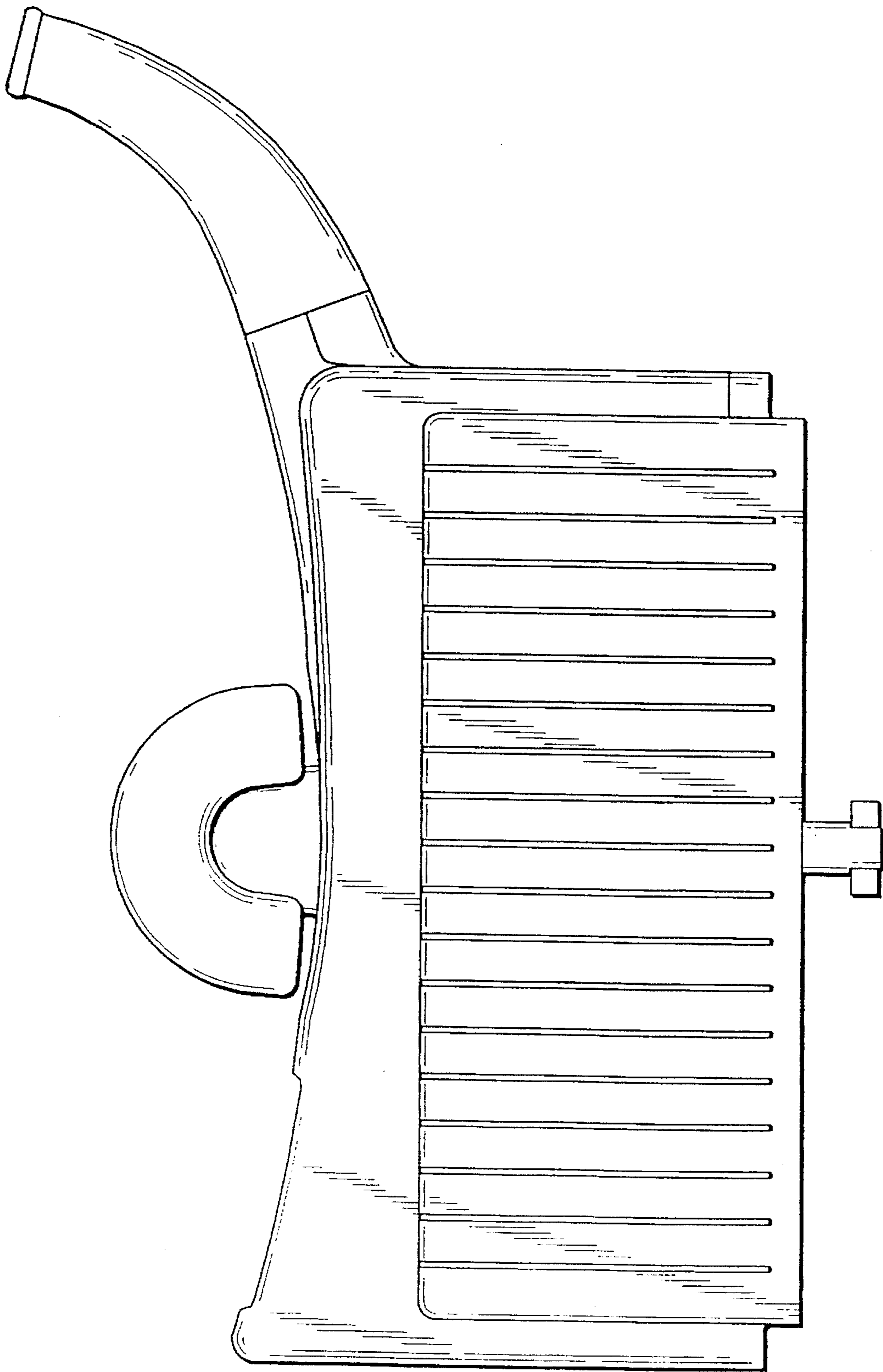


FIG. 7



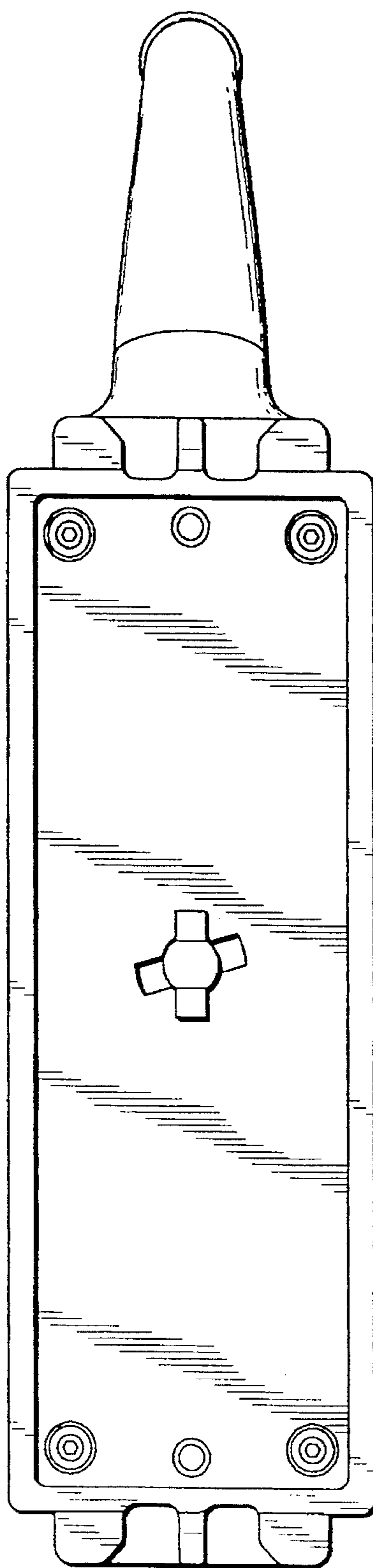


FIG. 8