



US00D376125S

United States Patent [19]

[11] Patent Number: **Des. 376,125**

Fikse

[45] Date of Patent: ****Dec. 3, 1996**

[54] **WHEEL**

Primary Examiner—Marcus A. Jackson
Attorney, Agent, or Firm—Christensen O'Connor Johnson & Kindness PLLC

[76] Inventor: **James A. Fikse**, 922 SW. 151st, Seattle, Wash. 98166

[**] Term: **14 Years**

[57] **CLAIM**

The ornamental design for a wheel, as shown and described.

[21] Appl. No.: **30,492**

[22] Filed: **Oct. 31, 1994**

[52] U.S. Cl. **D12/211**

[58] Field of Search D12/209, 211;
301/37.1, 64.1, 65

DESCRIPTION

FIG. 1 is a front elevational view of a wheel showing my new design;

FIG. 2 is a rear elevational view thereof;

FIG. 3 is a side elevational view thereof;

FIG. 4 is a sectional view thereof taken along line 4—4 of FIG. 1; and,

FIG. 5 is a top front perspective view thereof.

[56] **References Cited**

U.S. PATENT DOCUMENTS

D. 227,665 7/1973 Griffith D12/209

OTHER PUBLICATIONS

Custom Wheel & Tire Guide May 1994 p. 14.

1 Claim, 3 Drawing Sheets

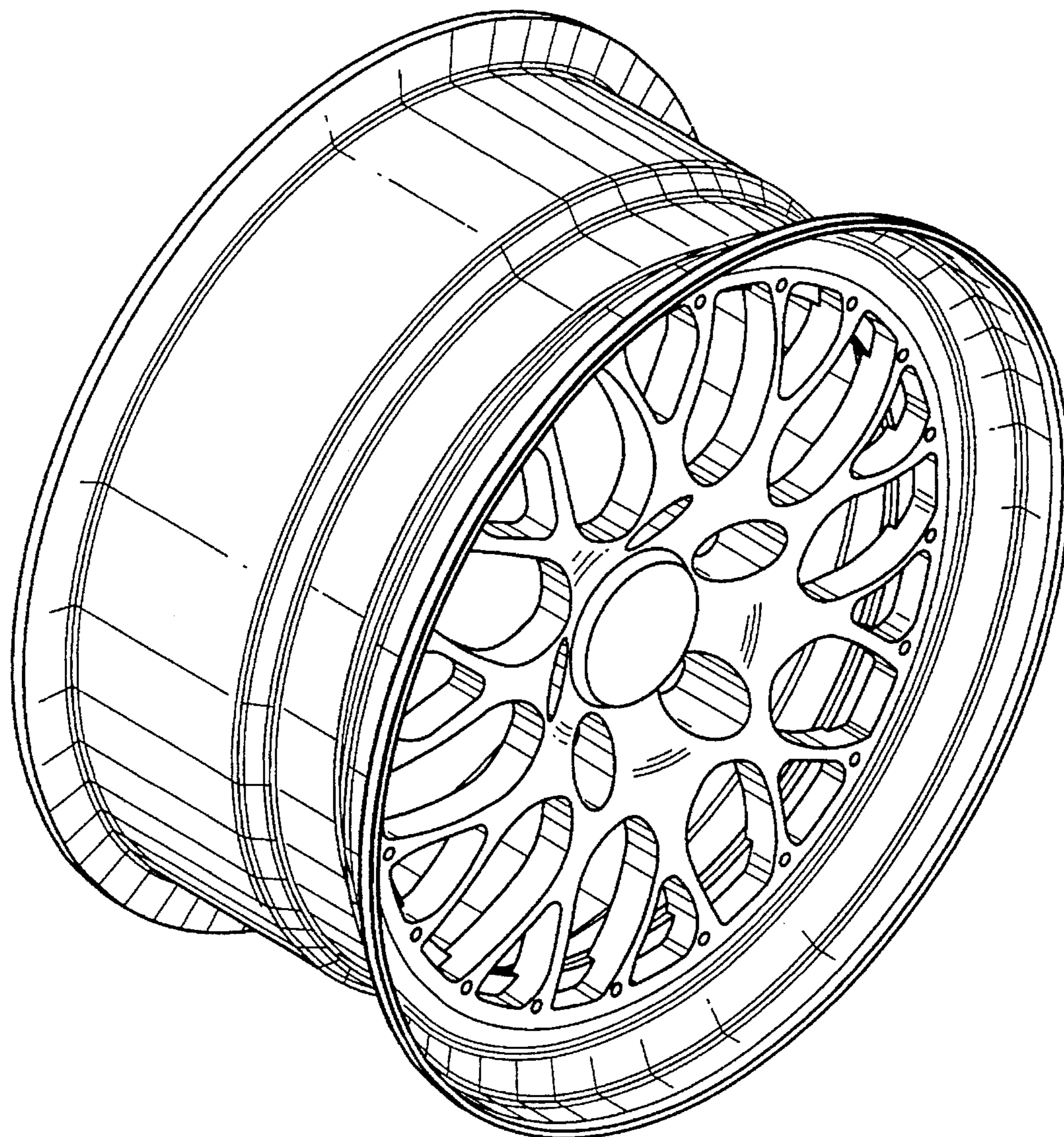




Fig. 2.

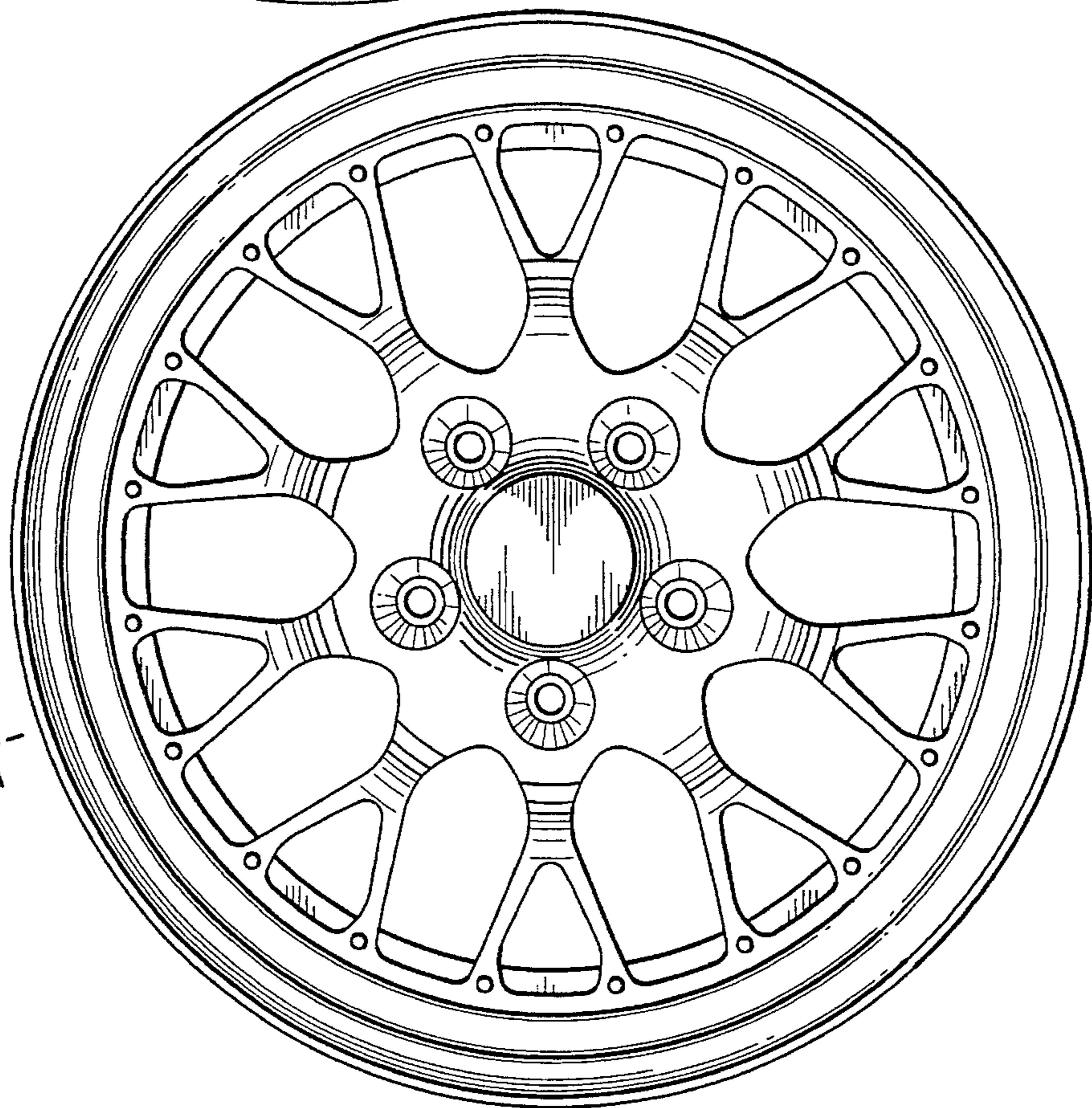


Fig. 1.

4-4

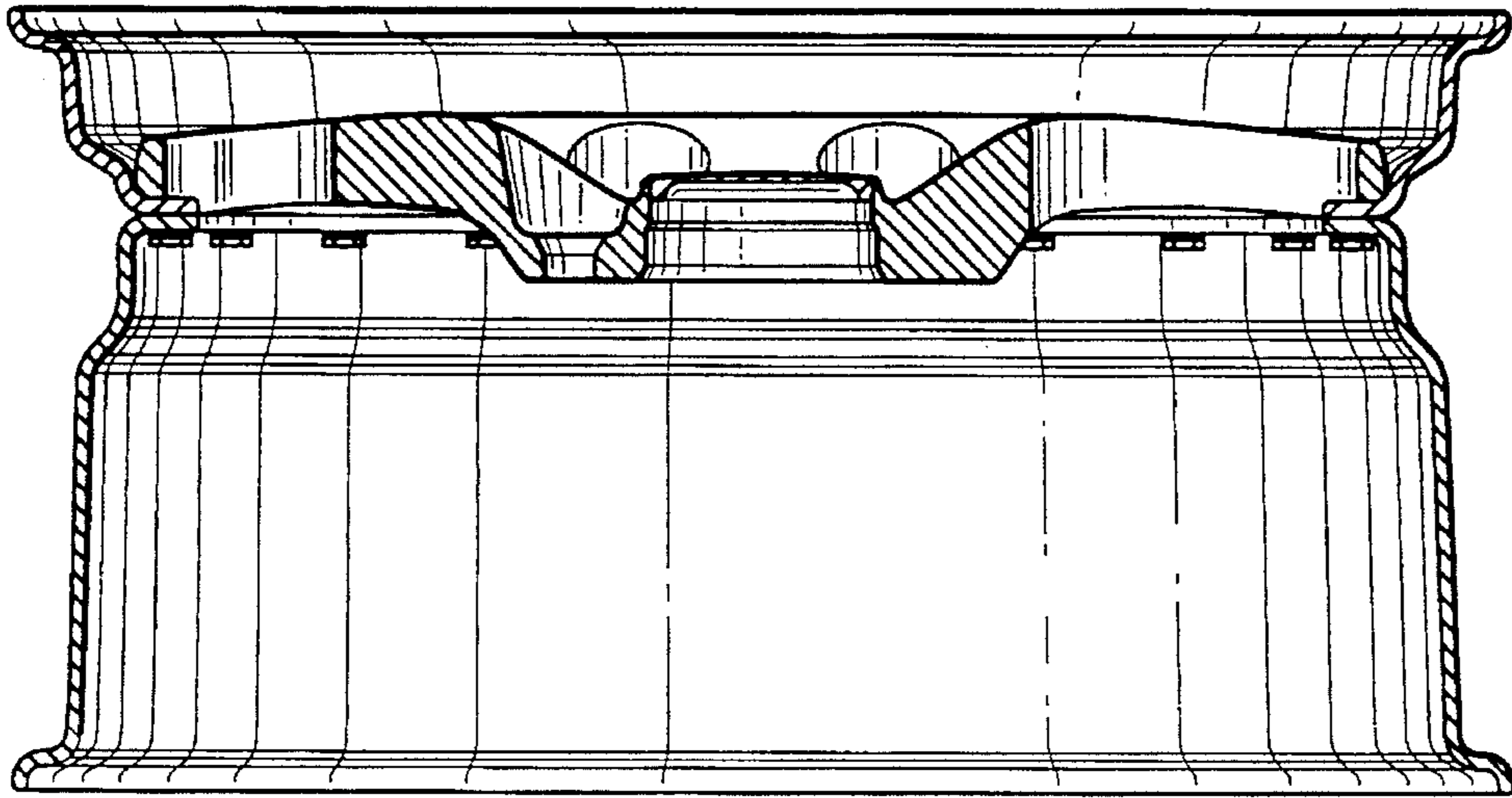


Fig. 4.

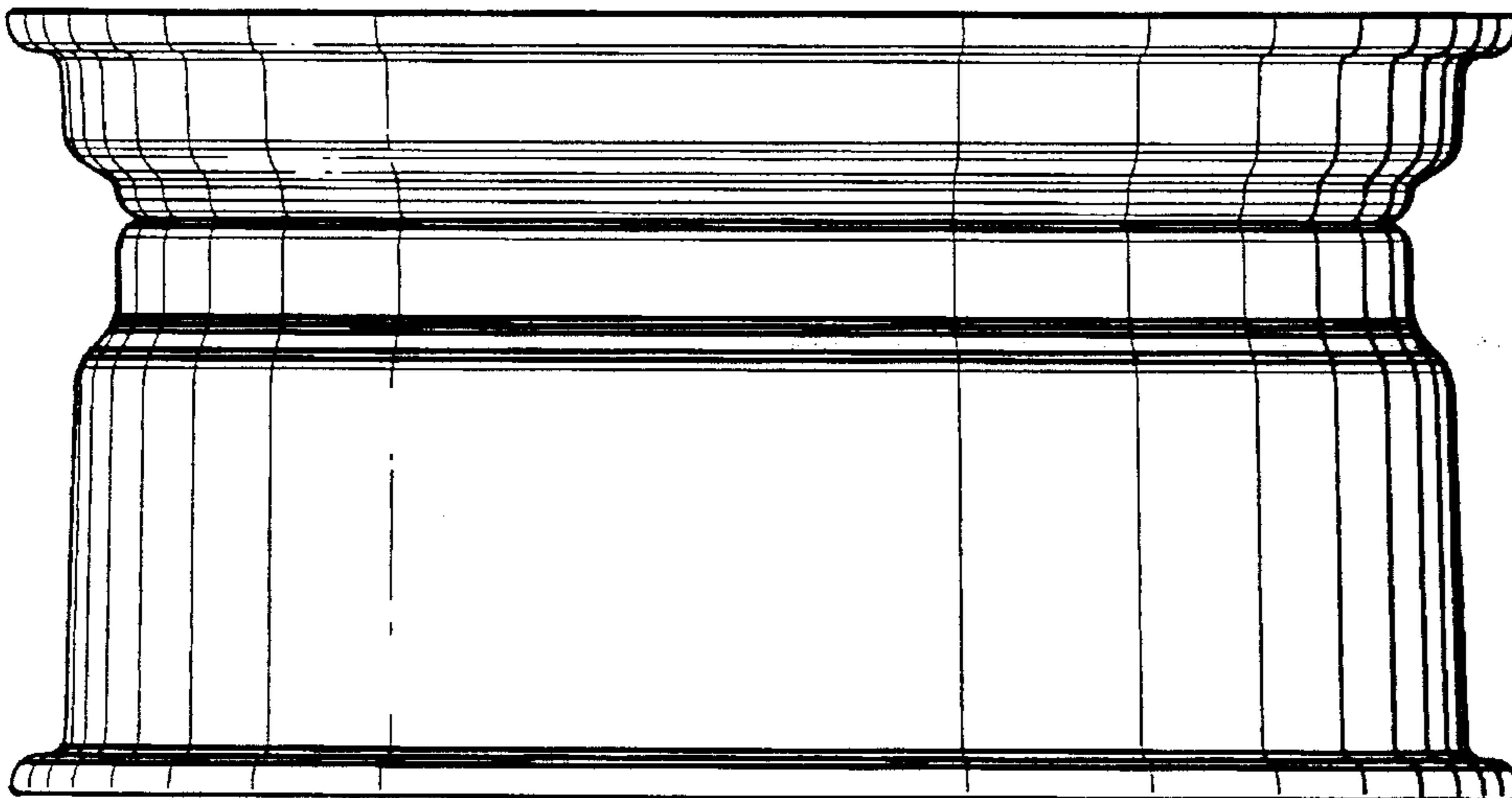


Fig. 3.

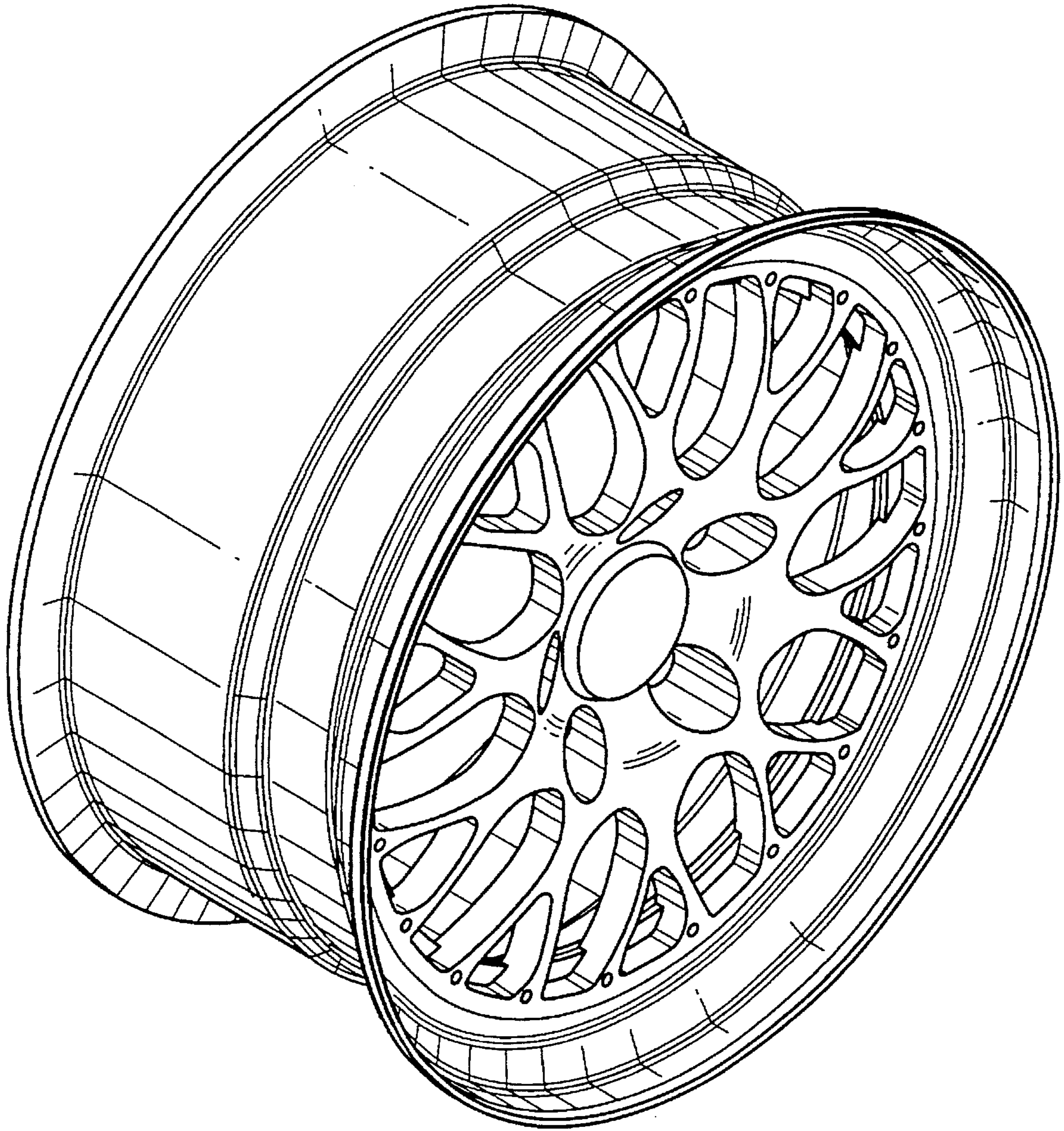


Fig. 5.