



US00D376124S

United States Patent [19]
Bernloehr

[11] **Patent Number:** **Des. 376,124**
[45] **Date of Patent:** ****Dec. 3, 1996**

[54] **HANDLEBAR EXTENSION**
[76] Inventor: **Bryan Bernloehr**, 200 W. 88th St.,
Bloomington, Minn. 55420
[**] Term: **14 Years**
[21] Appl. No.: **39,342**
[22] Filed: **May 25, 1995**
[52] **U.S. Cl.** **D12/178; D12/114**
[58] **Field of Search** **D12/114, 178;**
74/551.1, 551.3, 551.8, 551.9

5,319,995 6/1994 Huang 74/551.8
5,392,669 2/1995 Li 74/551.8
5,421,220 6/1995 Chen 74/551.8
5,425,285 6/1995 Cheng 74/551.1

Primary Examiner—Melody N. Brown
Attorney, Agent, or Firm—Palmatier, Sjoquist, Helget &
Voigt, P.A.

[57] **CLAIM**

The ornamental design for a handlebar extension, as shown
and described.

DESCRIPTION

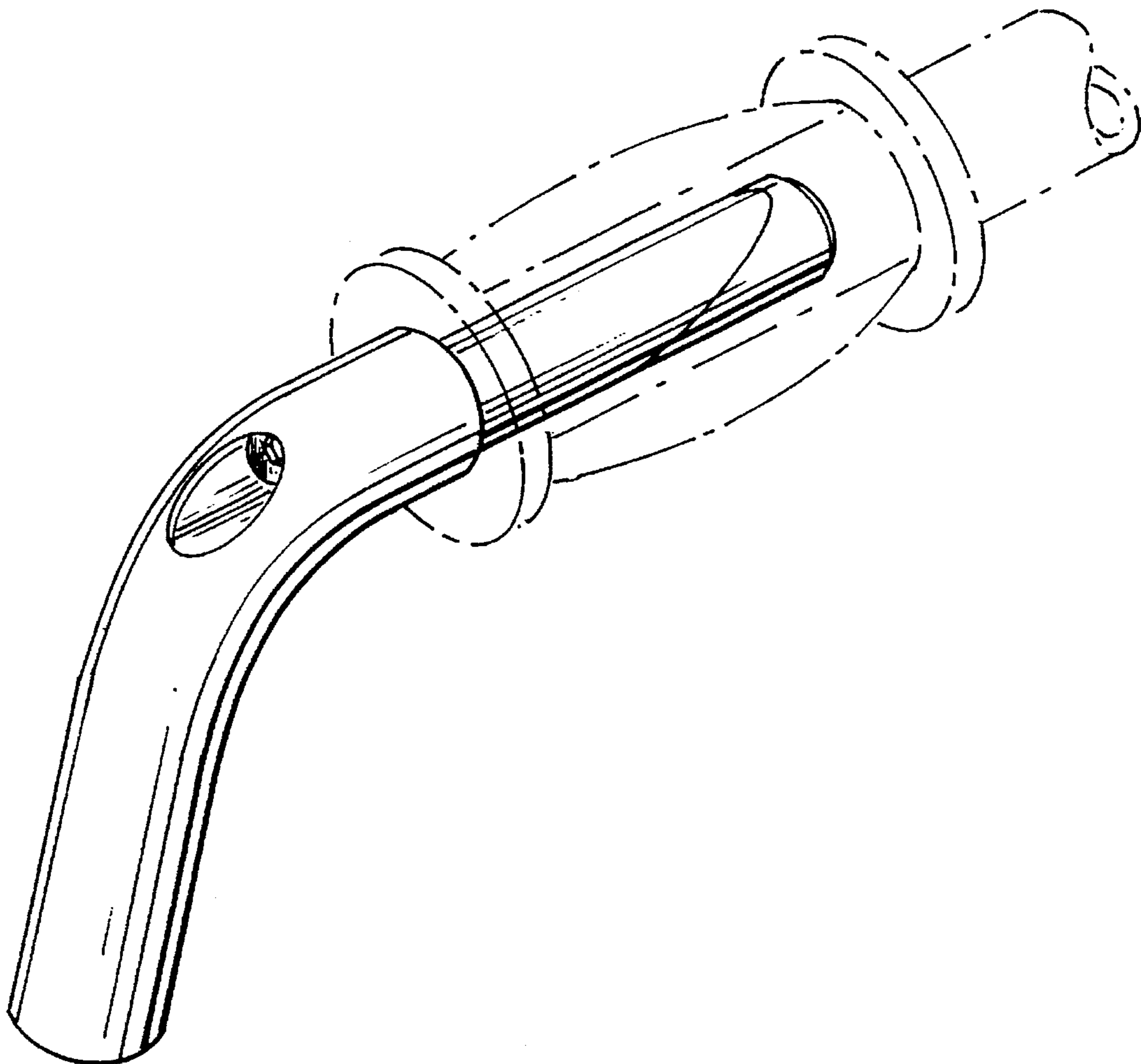
FIG. 1 is a side elevational view of a handlebar extension
showing my new design;
FIG. 2 is an end elevational view thereof;
FIG. 3 is an elevational view from the opposite end from that
shown in FIG. 2;
FIG. 4 is a top plan view thereof;
FIG. 5 is a bottom plan view thereof; and,
FIG. 6 is a perspective view thereof, the handlebar and grip
shown in broken lines are for illustrative purposes only and
form no part of the claimed design.

[56] **References Cited**

U.S. PATENT DOCUMENTS

D. 340,432	10/1993	Osborne	D12/714
3,481,218	12/1969	Yoshikawa	74/551.3
4,274,301	6/1981	Katayama	74/551.1
4,462,267	7/1984	Shimano	74/551.9
5,033,325	7/1991	Giard, Jr.	74/551.3
5,181,869	1/1993	Dantono et al.	440/53
5,197,350	3/1993	Borromeo	74/551.1
5,265,496	11/1993	Townsend	74/551.8
5,285,696	2/1994	Taylor	74/551.8
5,285,698	2/1994	Liao	74/551.3
5,297,445	3/1994	Chen	74/551.3

1 Claim, 1 Drawing Sheet



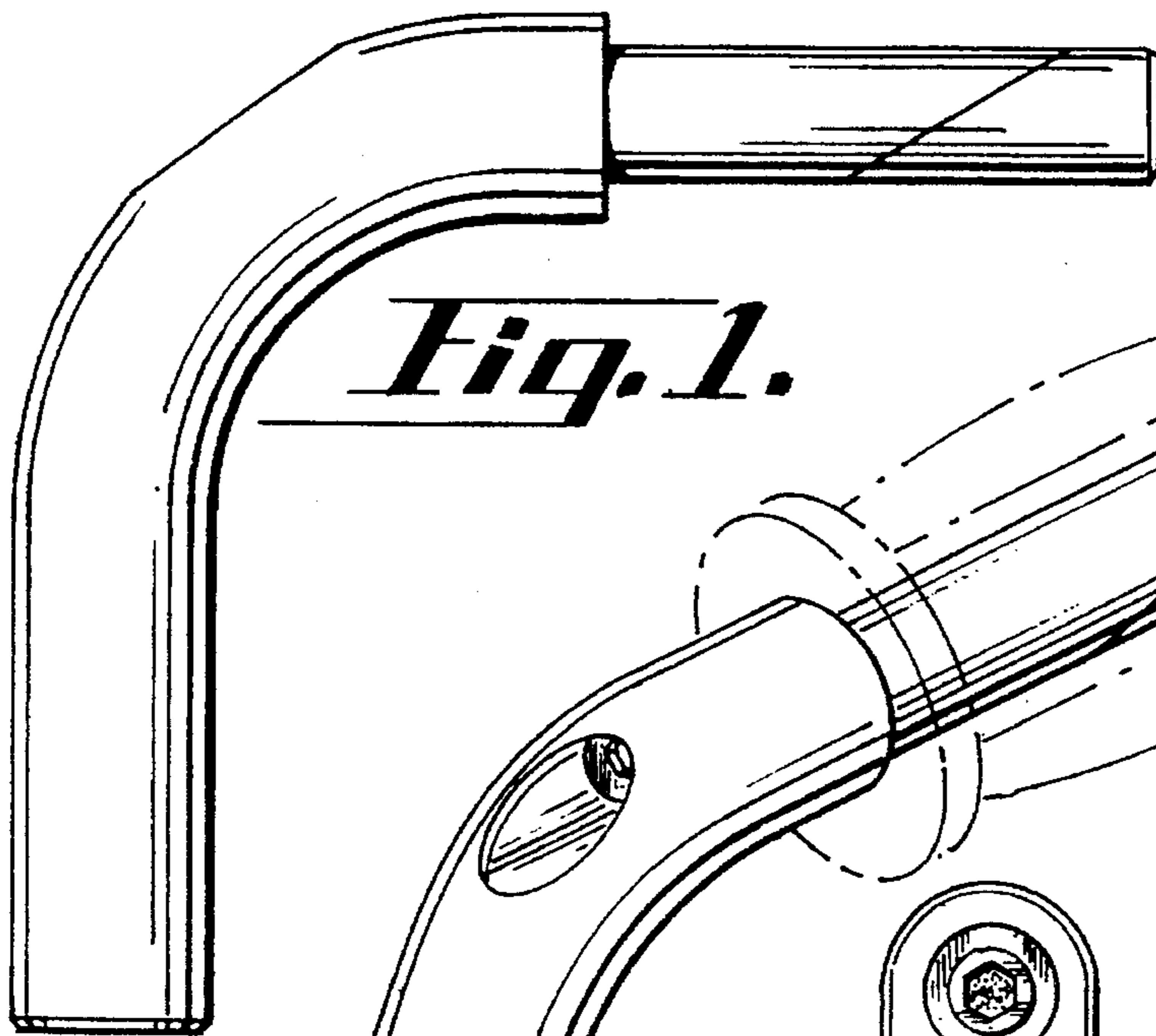


Fig. 1.

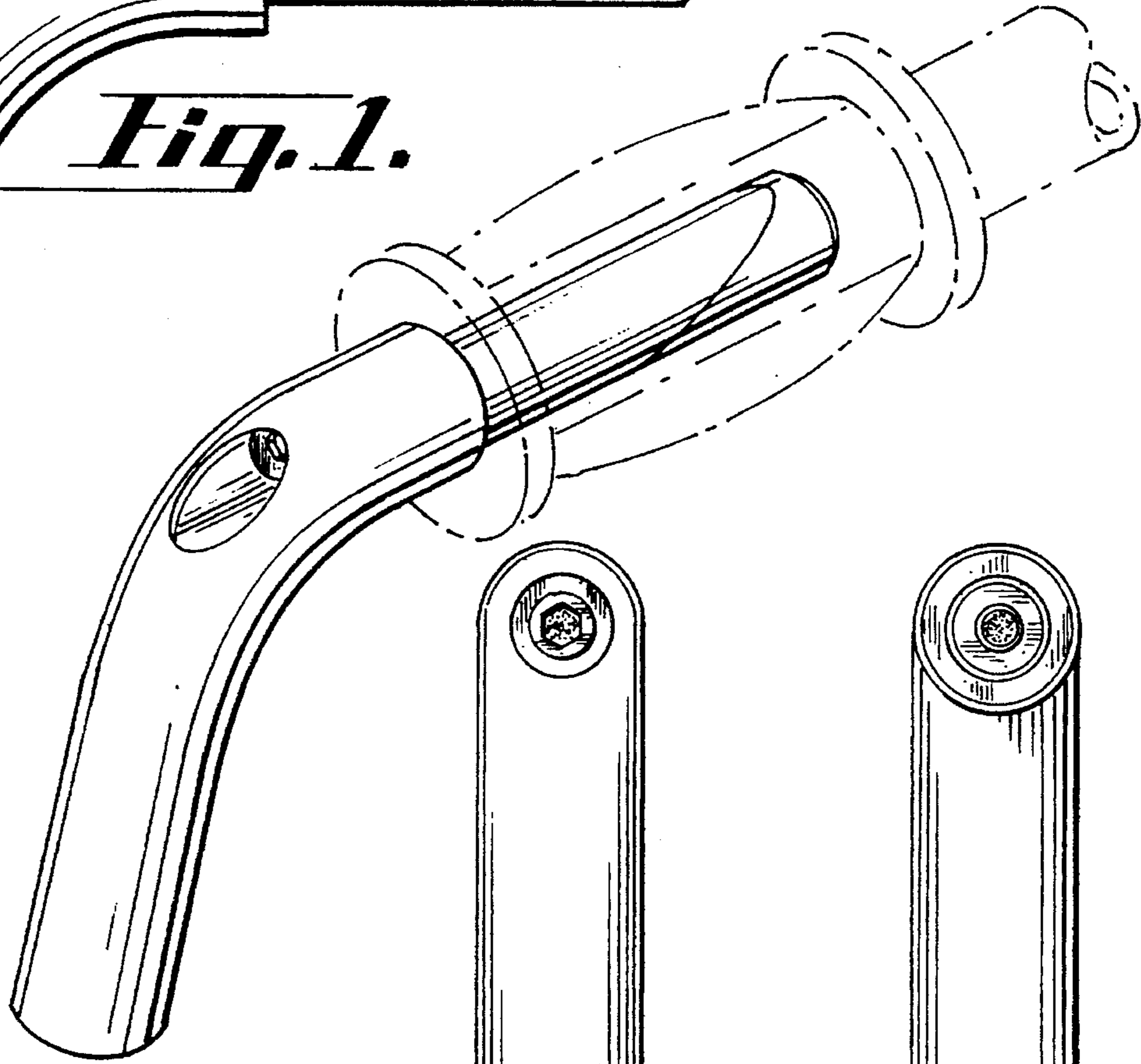


Fig. 2.

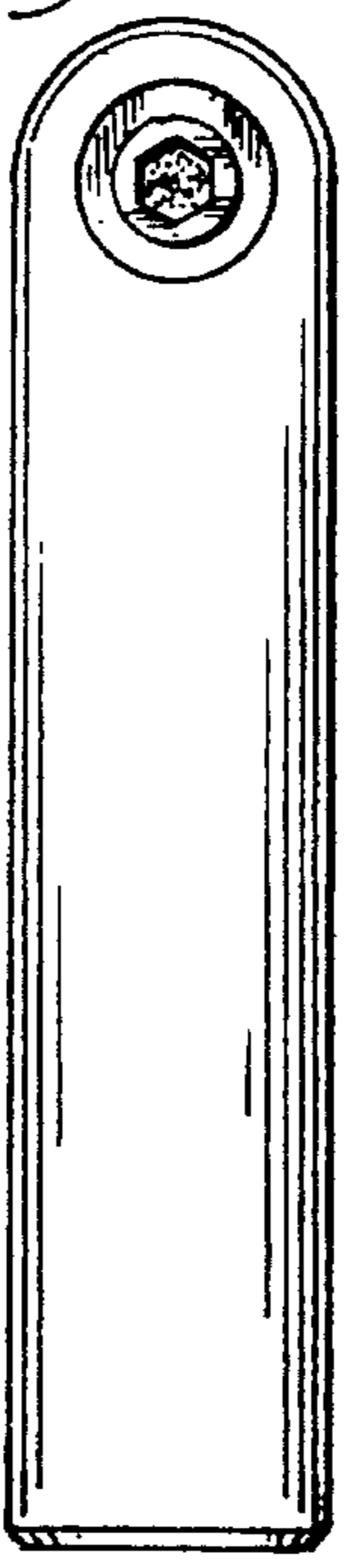


Fig. 3.

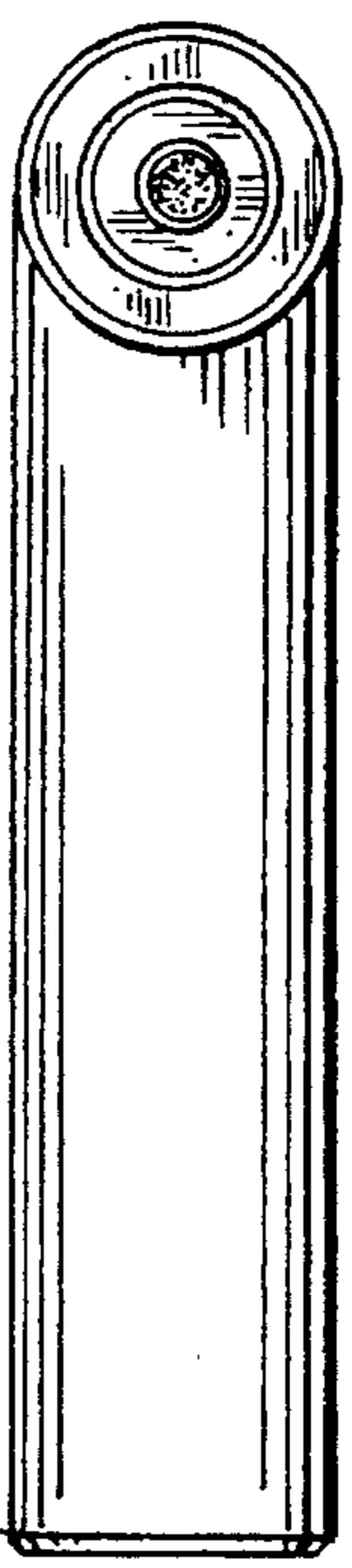


Fig. 4.

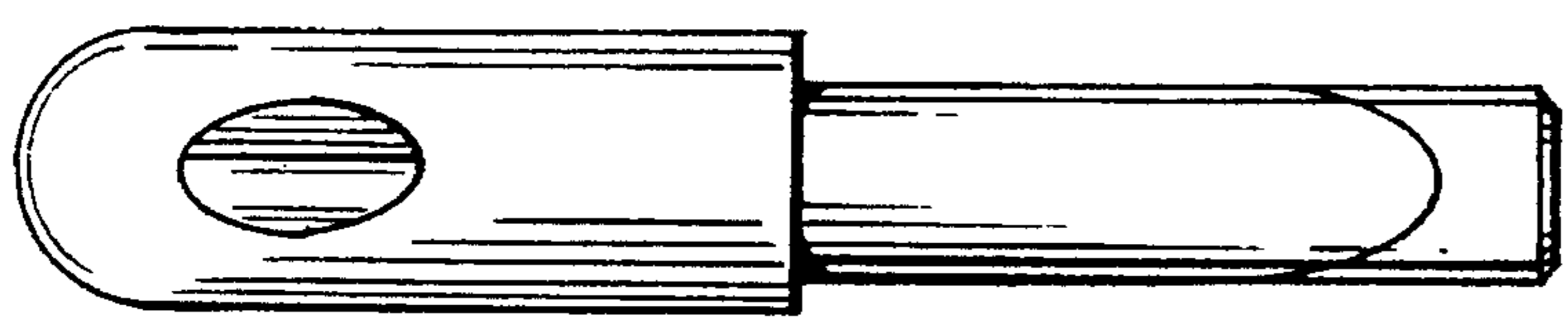


Fig. 5.

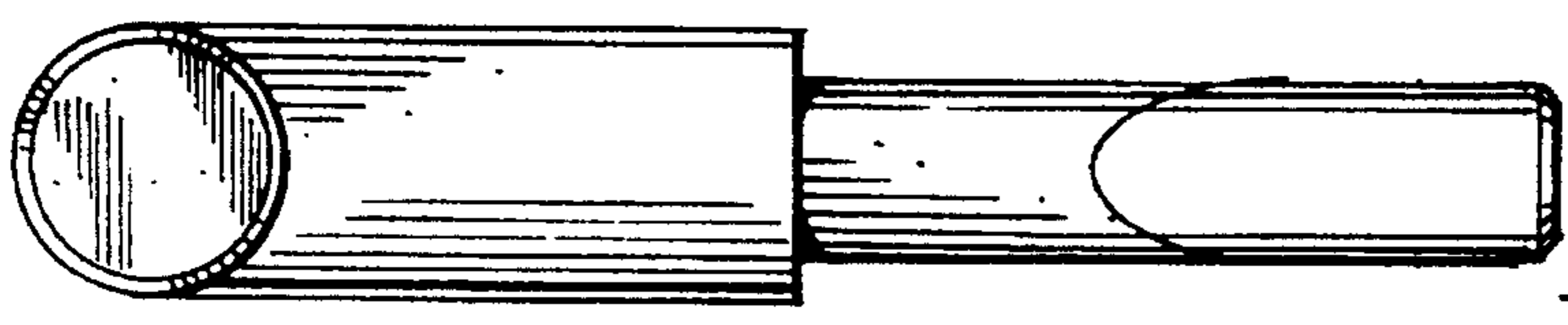


Fig. 6.