



US00D376123S

United States Patent [19] Camfield

[11] Patent Number: **Des. 376,123**

[45] Date of Patent: ****Dec. 3, 1996**

[54] SET OF BICYCLE FRAME ATTACHMENTS

[75] Inventor: **David K. Camfield, Olney, Ill.**

[73] Assignee: **Roadmaster Corporation, Olney, Ill.**

[**] Term: **14 Years**

[21] Appl. No.: **47,812**

[22] Filed: **Nov. 9, 1995**

[52] U.S. Cl. **D12/114; D12/111**

[58] Field of Search D12/111, 110,
D12/117, 126, 114, 127; 180/219; 280/288.4,
304.3, 281.1, 288.1-288.3

[56] **References Cited**

U.S. PATENT DOCUMENTS

D. 104,141	4/1937	Henry	D12/111
D. 192,339	3/1962	McLeod	D12/127
D. 250,329	1/1978	Breen	D12/126
D. 273,775	5/1984	Aker et al.	D12/114
D. 276,601	12/1984	Smith et al.	D12/114
D. 294,338	2/1988	Yamada et al.	D12/111
D. 301,438	6/1989	Hanamura	D12/111
D. 322,714	12/1991	Beiser	D3/230
D. 329,625	9/1992	Muller et al.	D12/111
D. 343,599	1/1994	Camfield et al.	D12/111
D. 343,604	1/1994	Rekow	D12/409
D. 346,489	5/1994	Bean et al.	D12/409
D. 347,603	6/1994	Fritschen	D12/111

D. 349,667	8/1994	Dietz et al.	D12/111
D. 354,934	1/1995	Johnson et al.	D12/111
D. 359,014	6/1995	Haney et al.	D12/111
D. 359,467	6/1995	Hsieh	D12/111
D. 362,209	9/1995	Dietz et al.	D12/111
2,827,301	3/1958	Stevens	280/281.1
4,729,604	3/1988	Dietz	301/37 R
5,060,832	10/1991	Link	224/32 R

Primary Examiner—Melody N. Brown

Attorney, Agent, or Firm—Steven P. Shurtz; Brinks Hofer Gilson & Lione

[57] **CLAIM**

The ornamental design for a set of bicycle frame attachments, as shown and described.

DESCRIPTION

FIG. 1 is a right side and front perspective view of a set of bicycle frame attachments showing my new design, mounted on a bicycle which is shown in broken lines for illustrative purposes only and forming no part of the claimed design;

FIG. 2 is a right side elevational view thereof;

FIG. 3 is a front elevational view thereof;

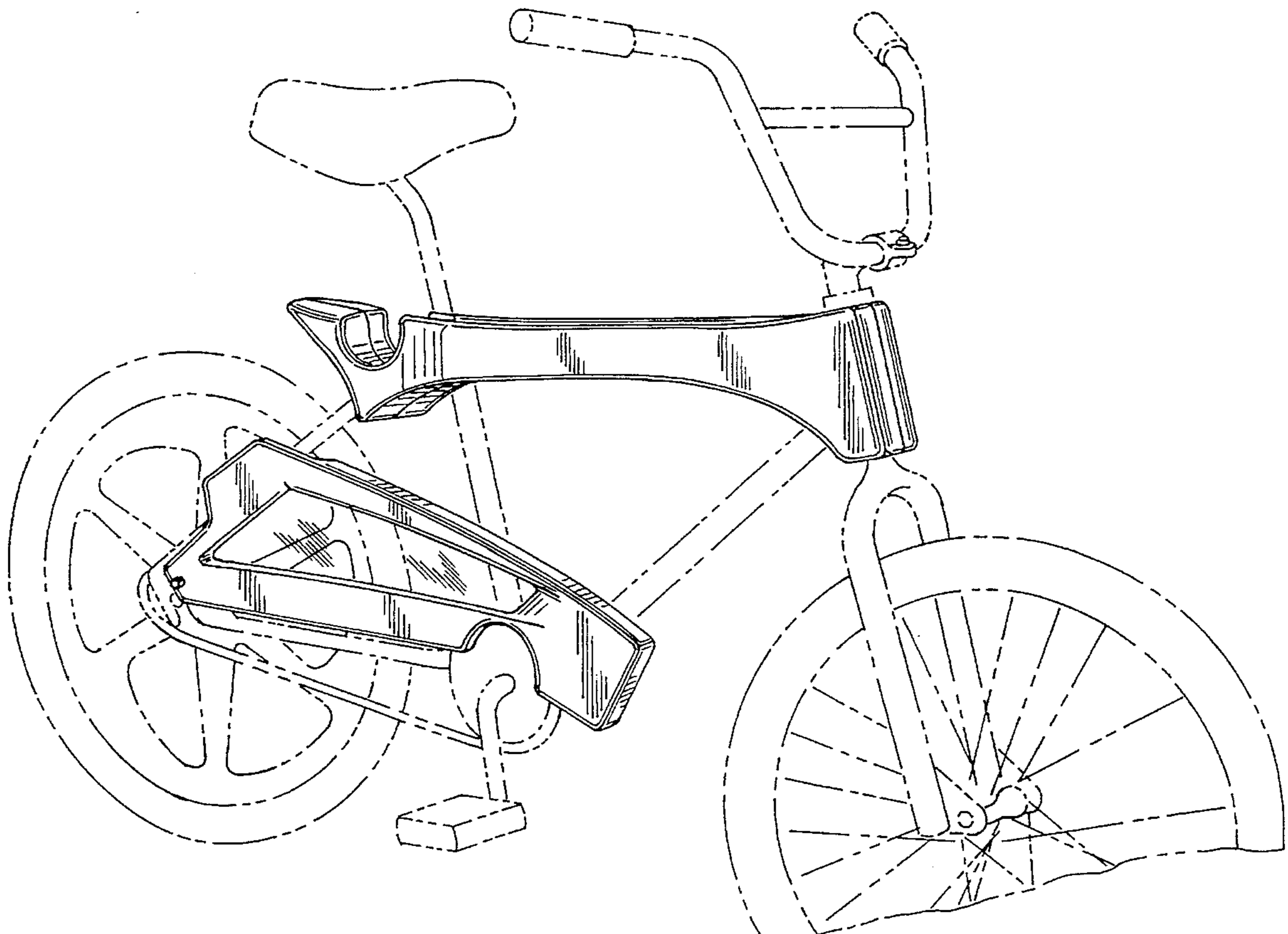
FIG. 4 is a left side elevational view thereof;

FIG. 5 is a rear elevational view thereof;

FIG. 6 is a top plan view thereof; and,

FIG. 7 is a bottom plan view thereof.

1 Claim, 4 Drawing Sheets



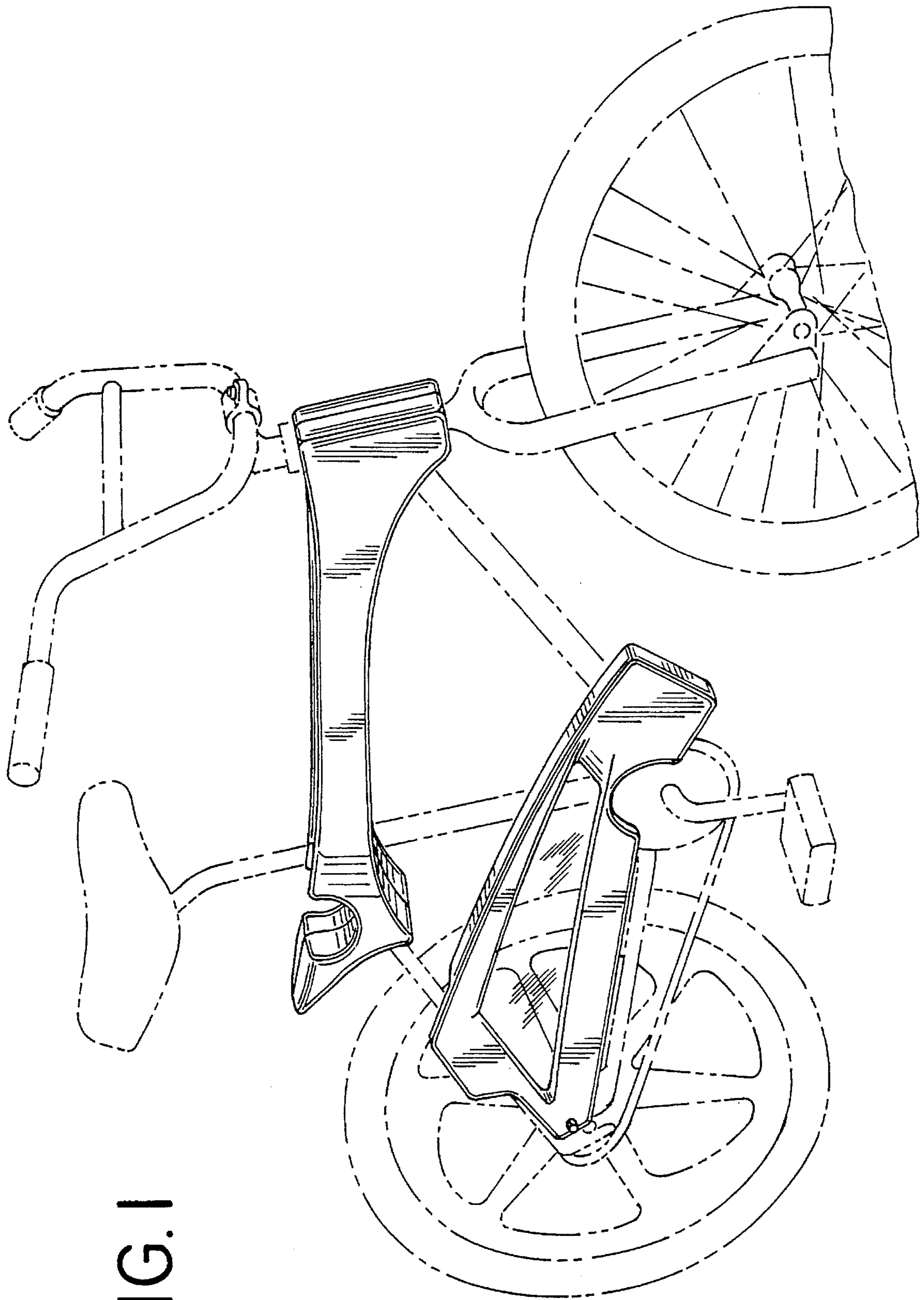


FIG. 1

FIG. 2

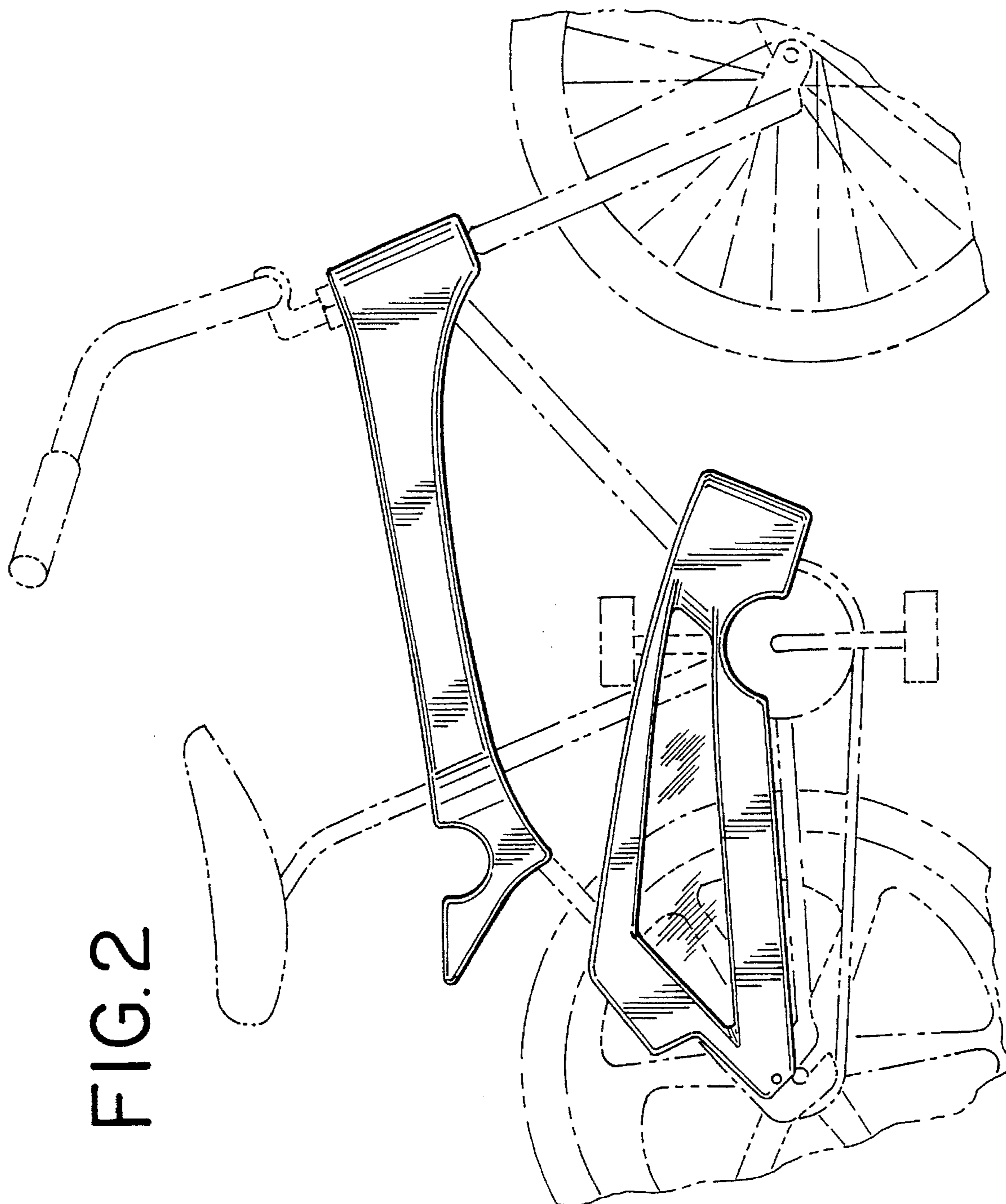


FIG. 3

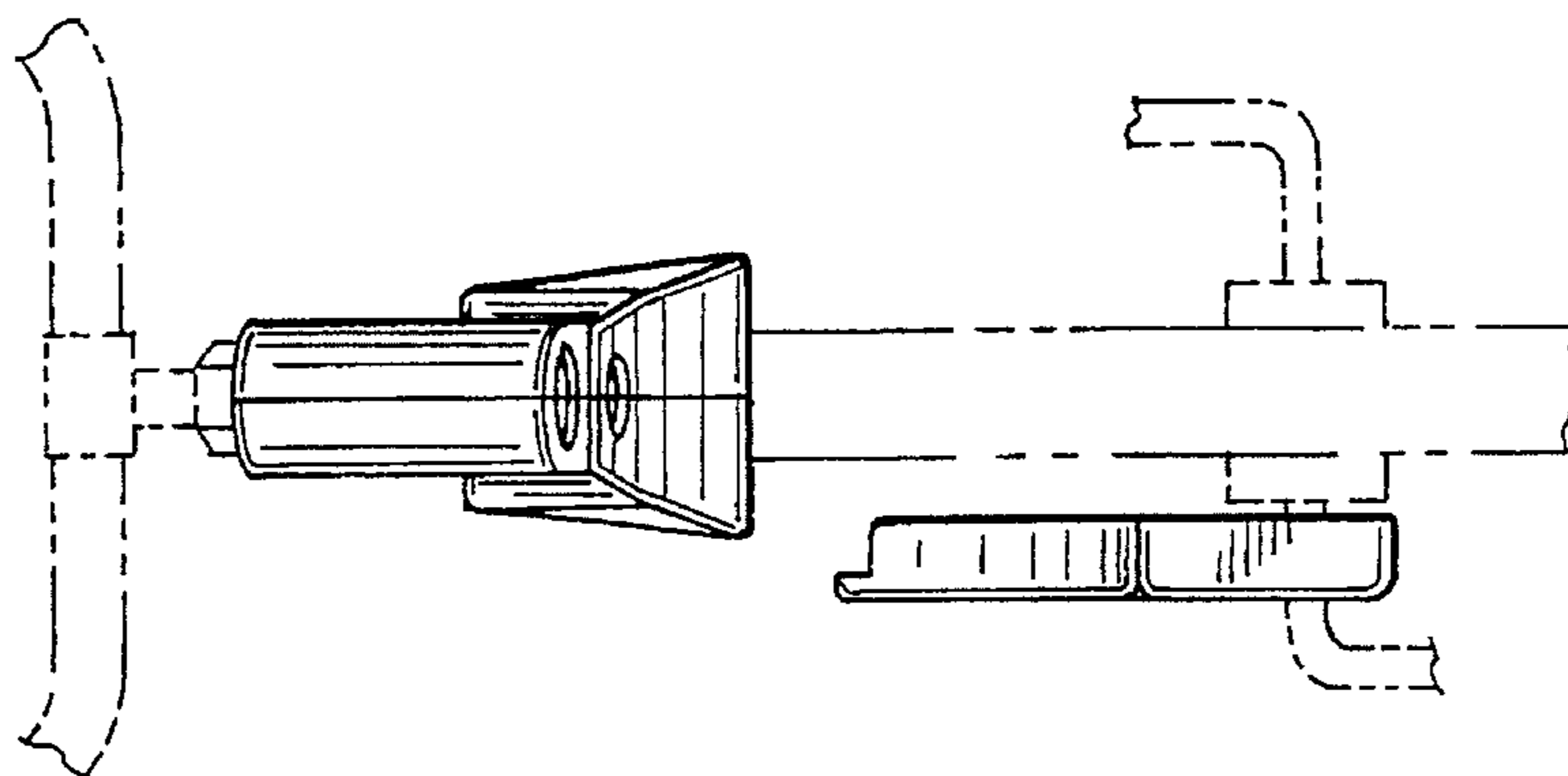


FIG.5

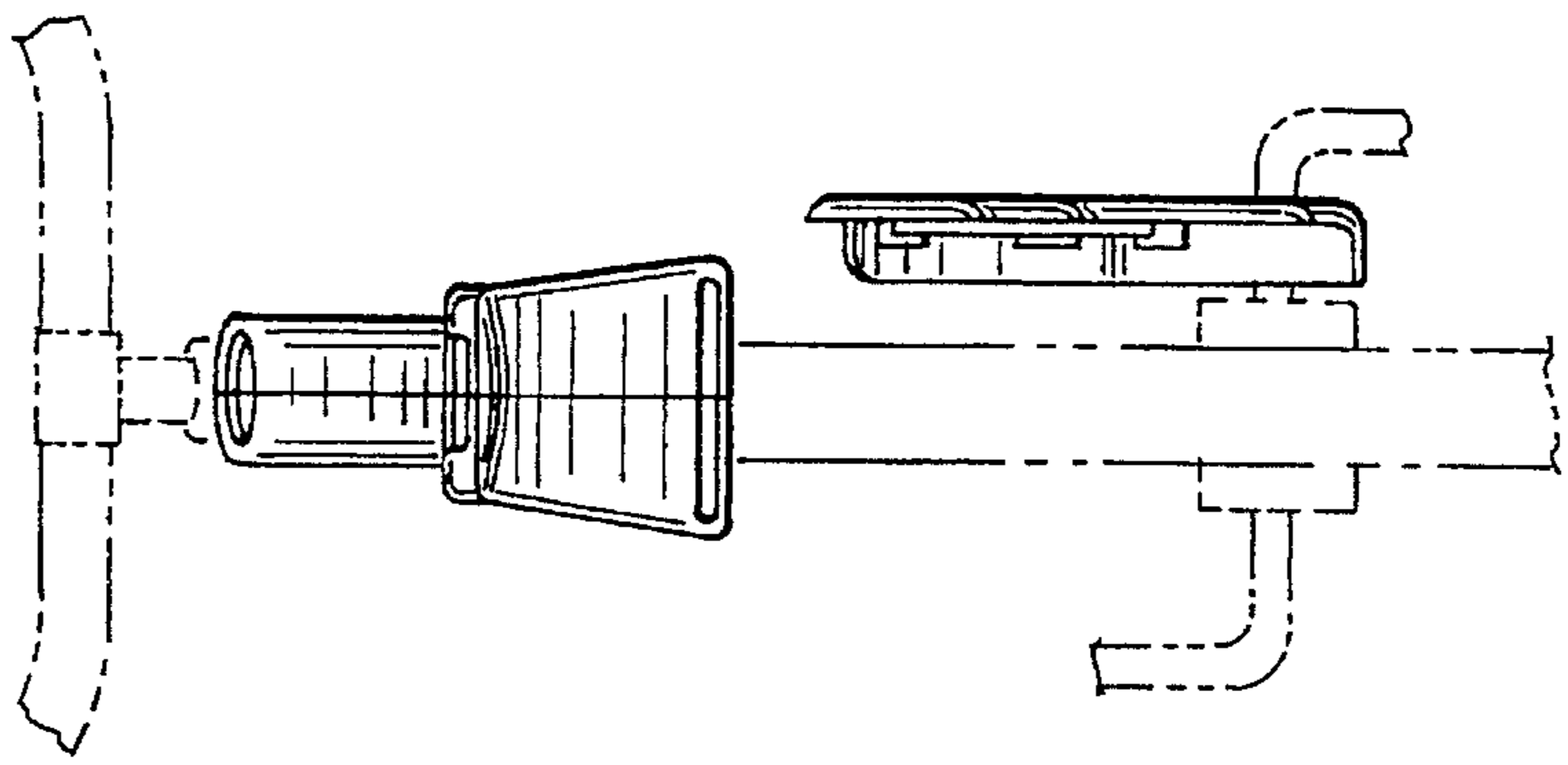


FIG.4

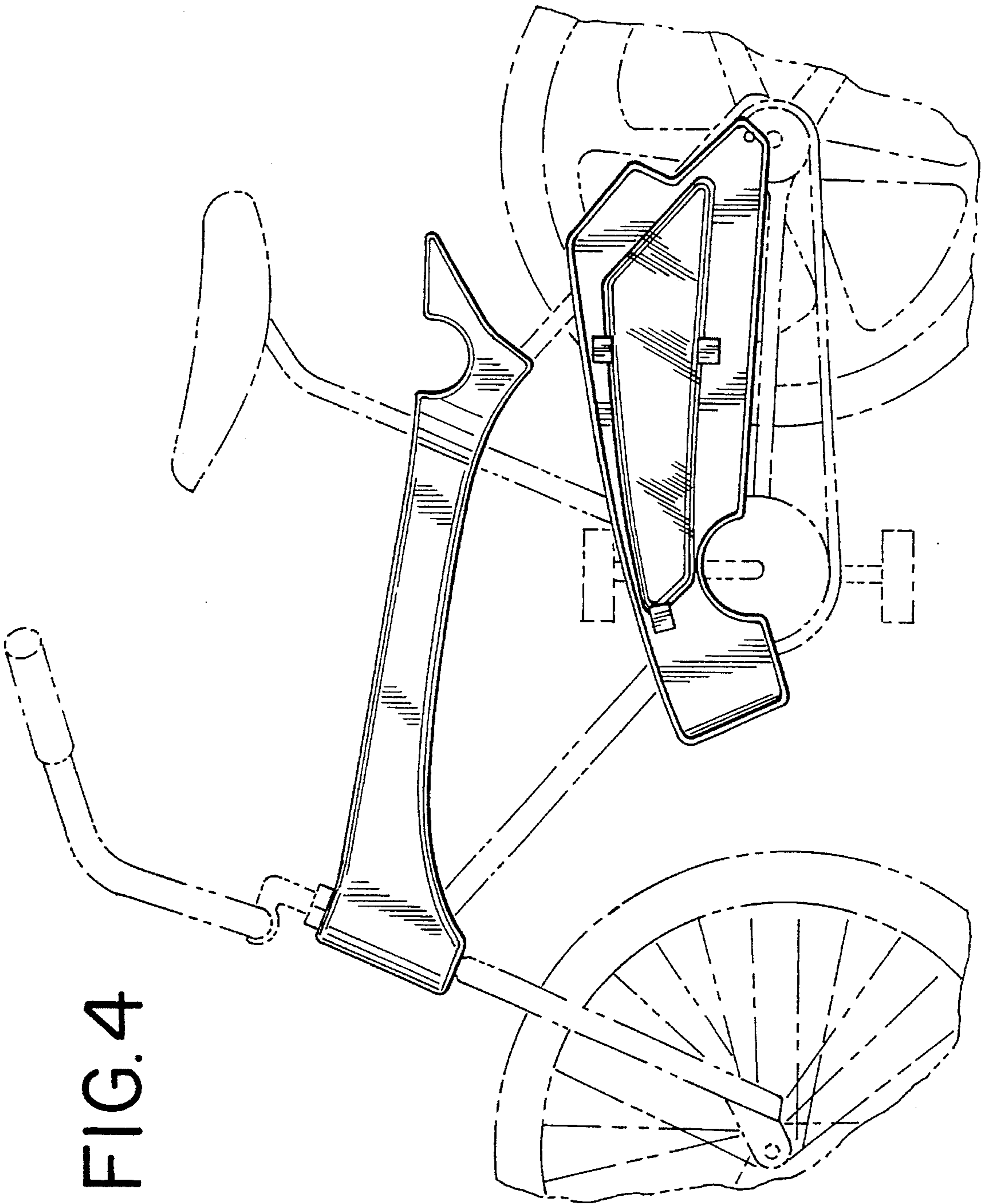


FIG. 6

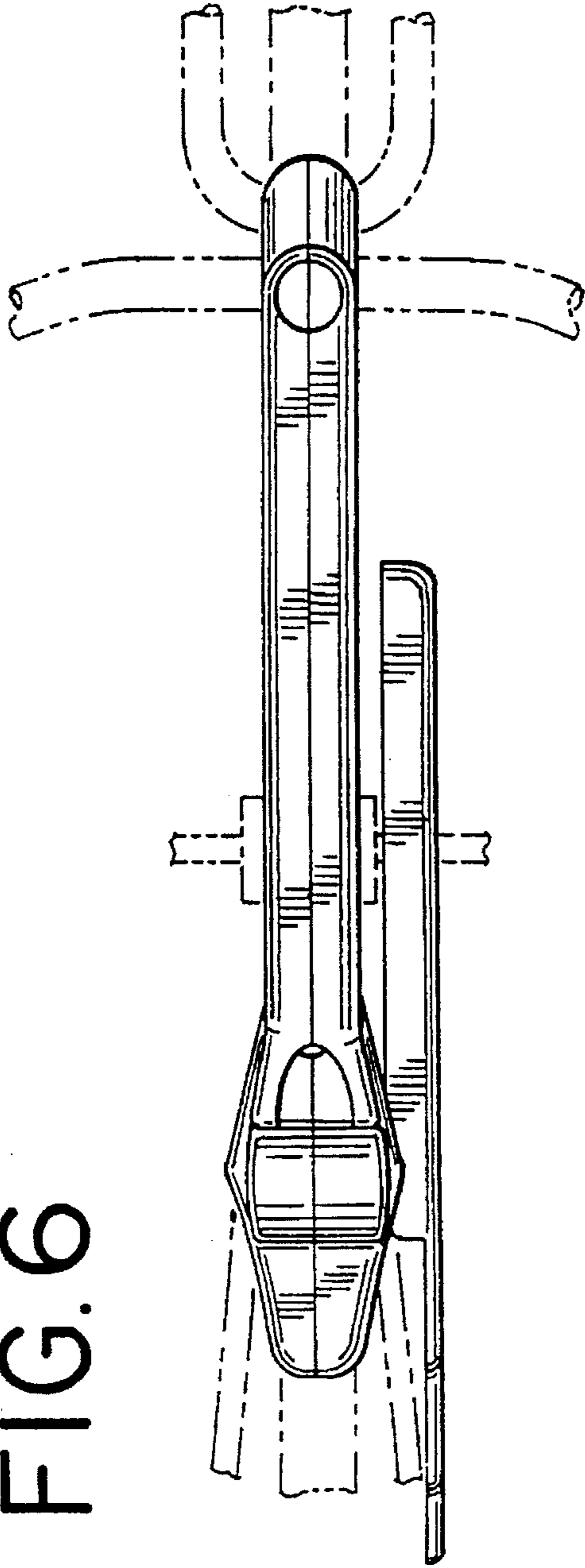


FIG. 7

