



US00D376118S

United States Patent [19]

[11] **Patent Number: Des. 376,118**

Morris

[45] **Date of Patent: **Dec. 3, 1996**

[54] **COMBINED CONTROL PANEL AND SIGNALING UNIT**

[57] **CLAIM**

[76] Inventor: **Leslie D. Morris**, 2230 Hoyt SE. St., Salem, Oreg. 97302

The ornamental design for a combined control panel and signaling unit, as shown, and described.

[**] Term: **14 Years**

DESCRIPTION

[21] Appl. No.: **37,042**

FIG. 1 is a perspective view of a combined control panel and signaling unit showing my new design;

[22] Filed: **Apr. 3, 1995**

FIG. 2 is a front perspective view of the signaling unit portion thereof;

[52] U.S. Cl. **D10/116**

FIG. 3 is a rear perspective view thereof;

[58] **Field of Search** D10/104, 106, D10/116, 121; 340/438, 457, 457.2, 457.3, 459, 460, 463, 464, 471, 472, 473, 474

FIG. 4 is a top view thereof;

FIG. 5 is a right side view thereof; The left side view is a mirror image thereof;

[56] **References Cited**

FIG. 6 is bottom view thereof;

U.S. PATENT DOCUMENTS

FIG. 7 is a front view of the control panel portion thereof;

D. 238,258 12/1975 Duris D10/116

FIG. 8 is a rear view thereof;

D. 333,796 3/1993 Bannon D10/106

FIG. 9 is a bottom view thereof;

D. 344,034 2/1994 Gottlieb D10/116

FIG. 10 is a top view thereof;

FIG. 11 is a right side view thereof; and,

FIG. 12 is a left side view thereof.

Primary Examiner—Marcus A. Jackson
Attorney, Agent, or Firm—Harold H. Dutton, Jr.; Diane S. Liebman; W. Charles L. Jamison

1 Claim, 6 Drawing Sheets

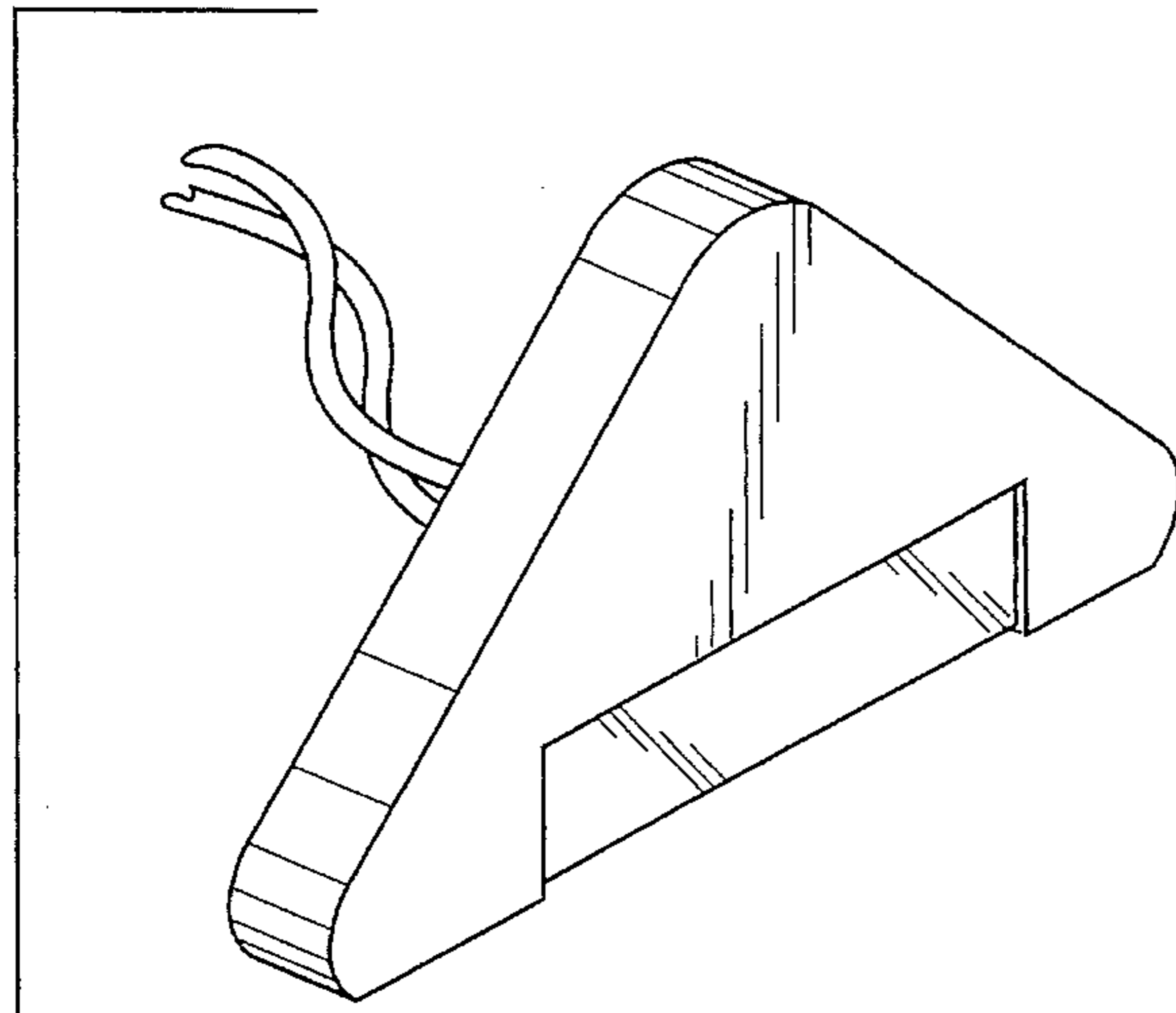
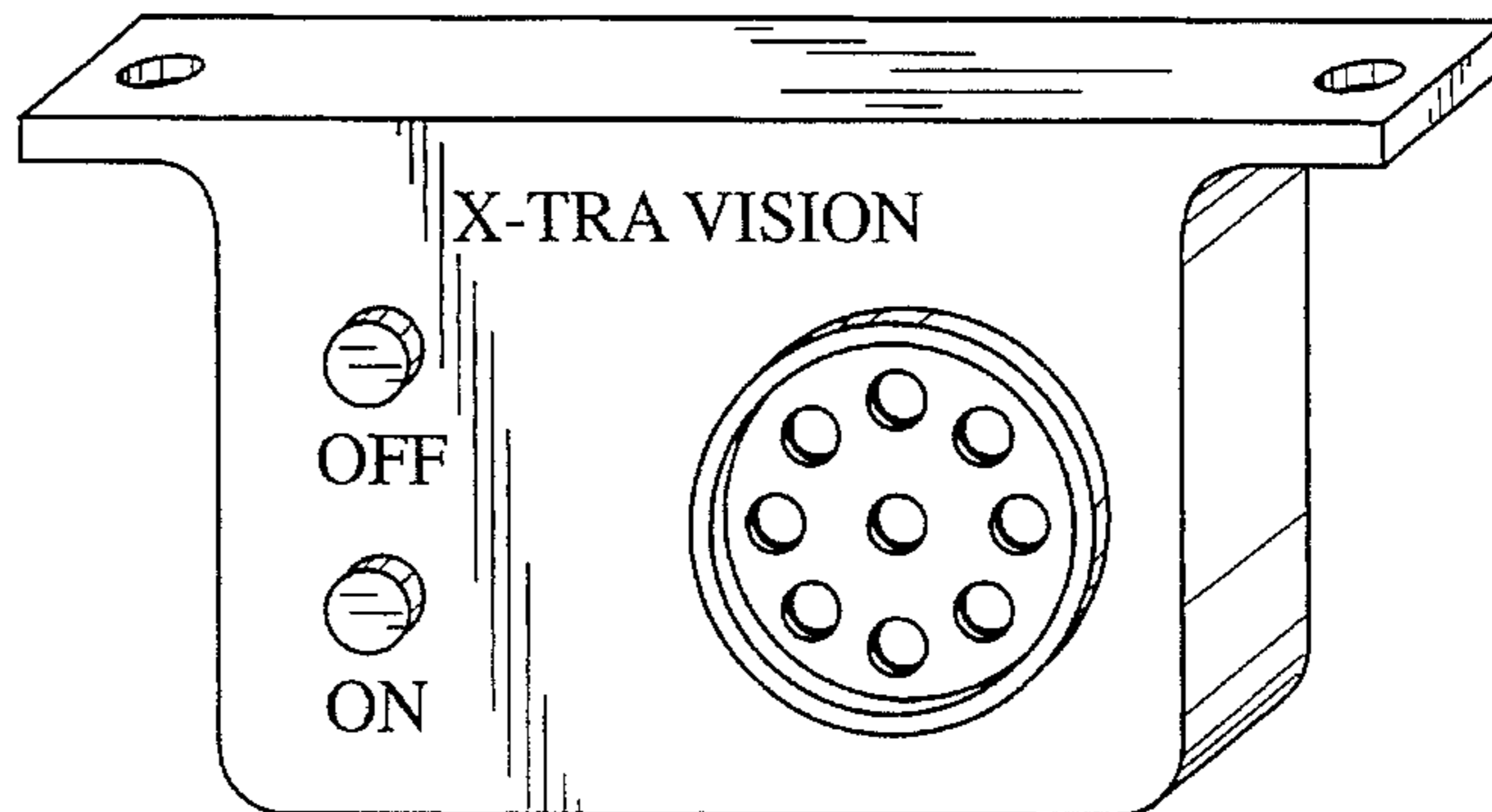


FIG. 1



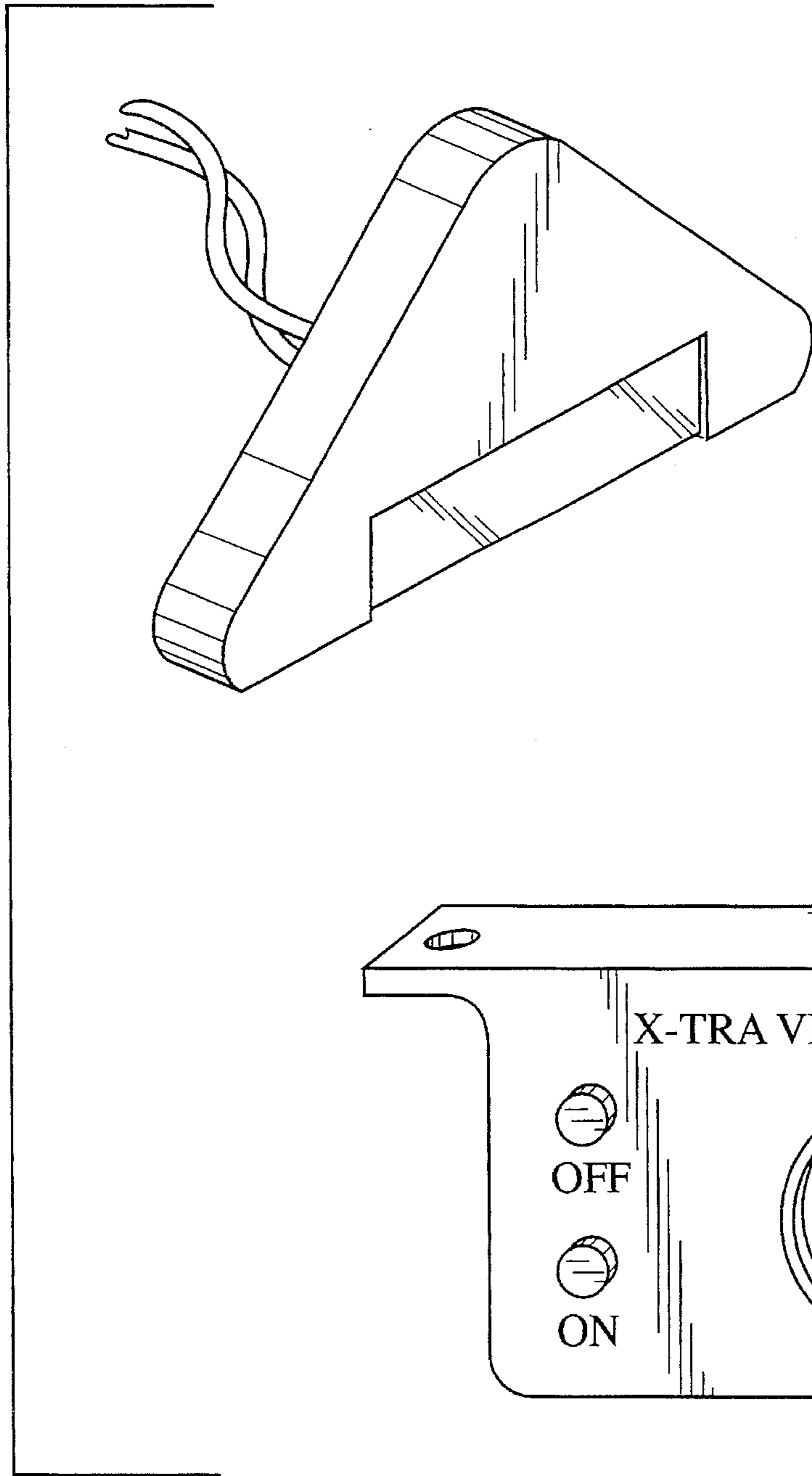


FIG. 1

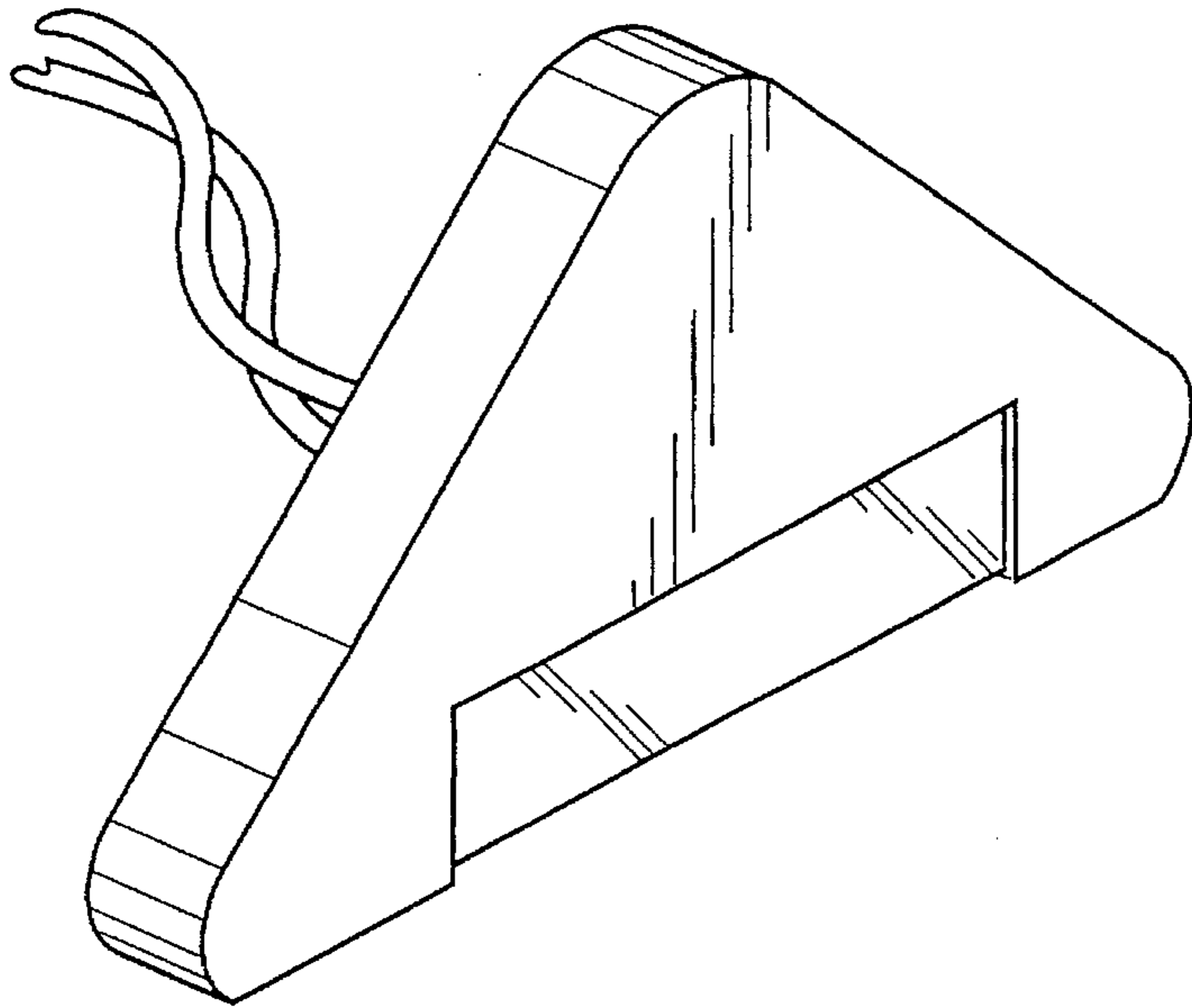


FIG. 2

FIG. 3

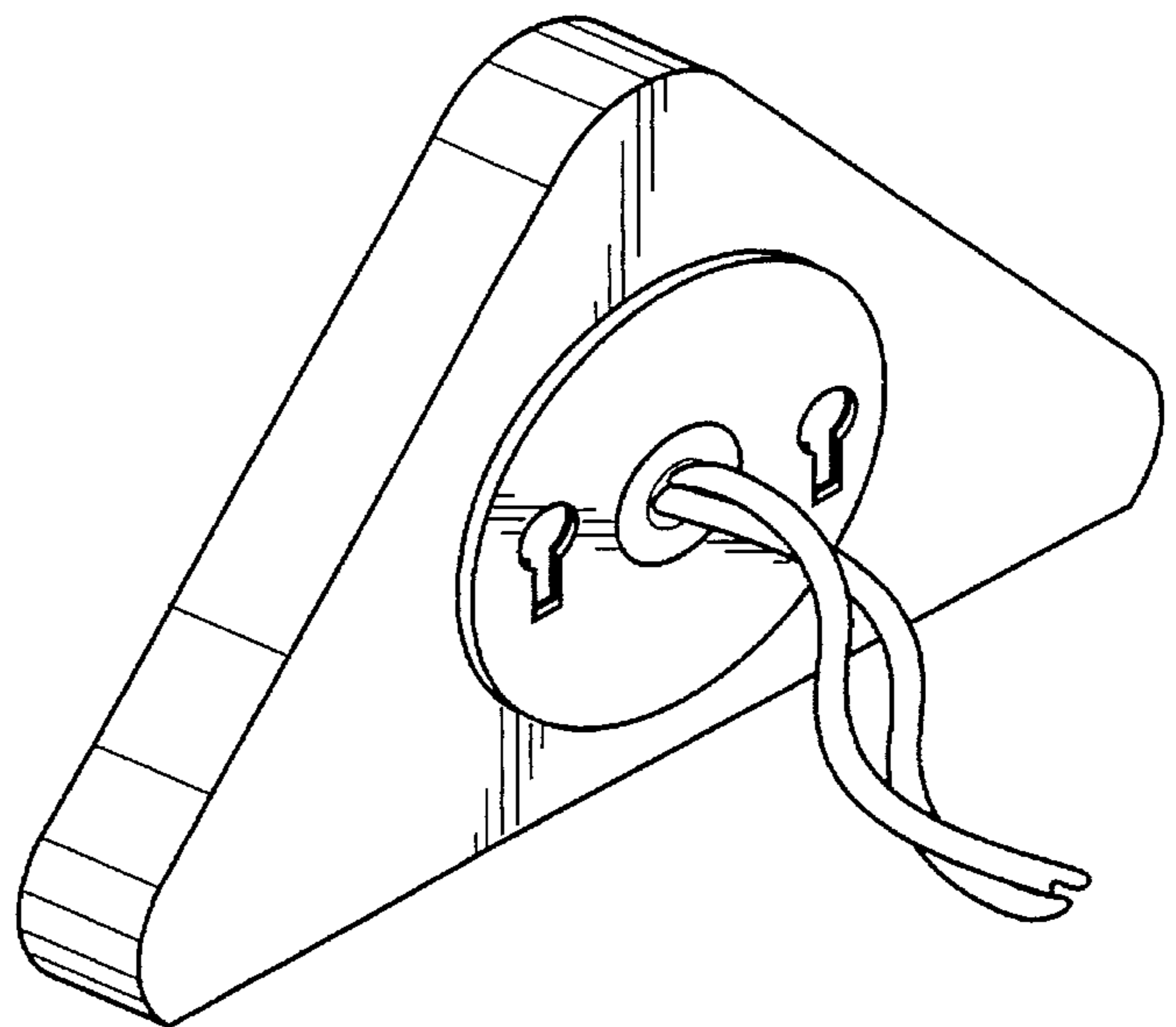


FIG. 4

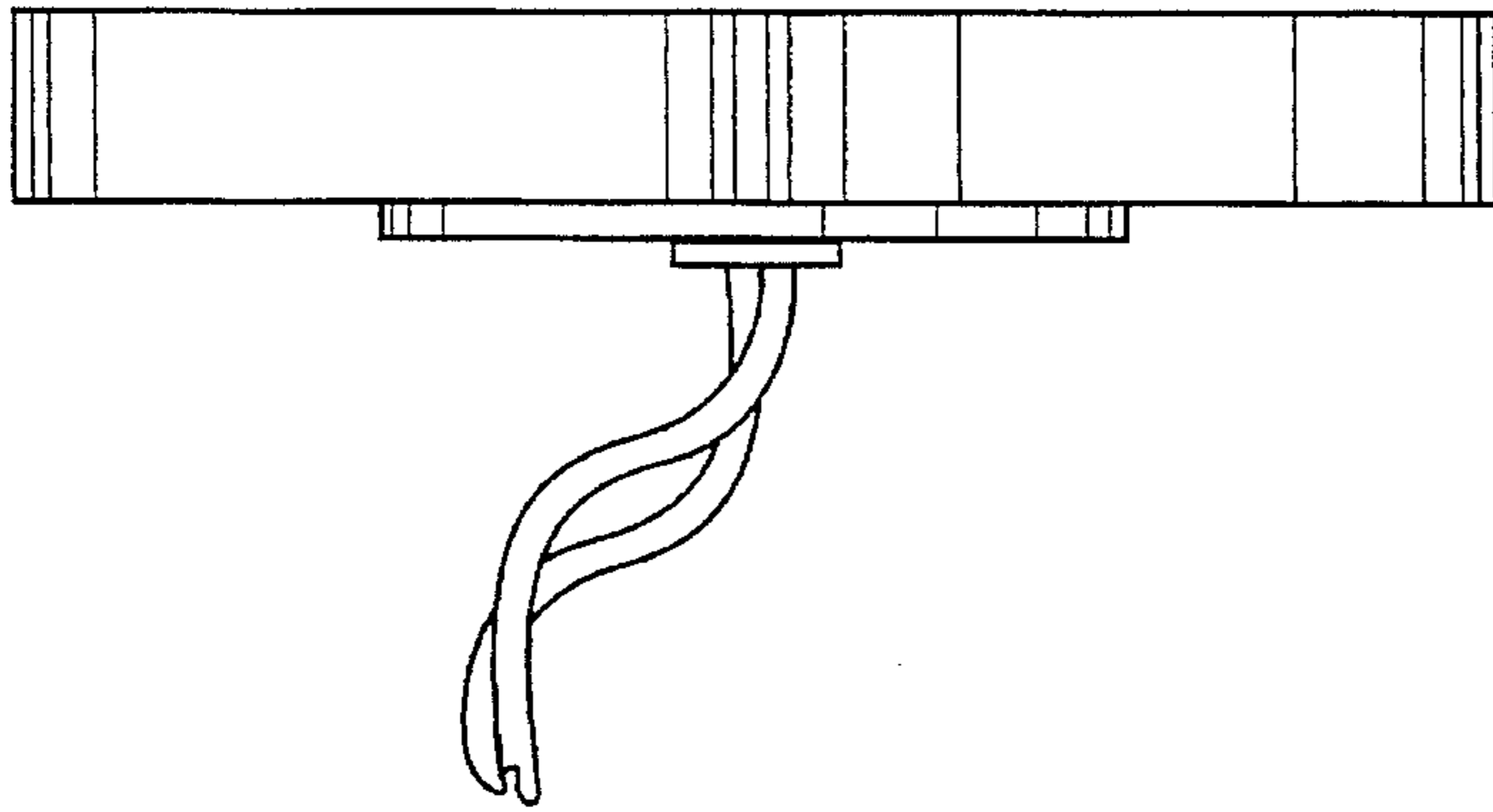


FIG. 5

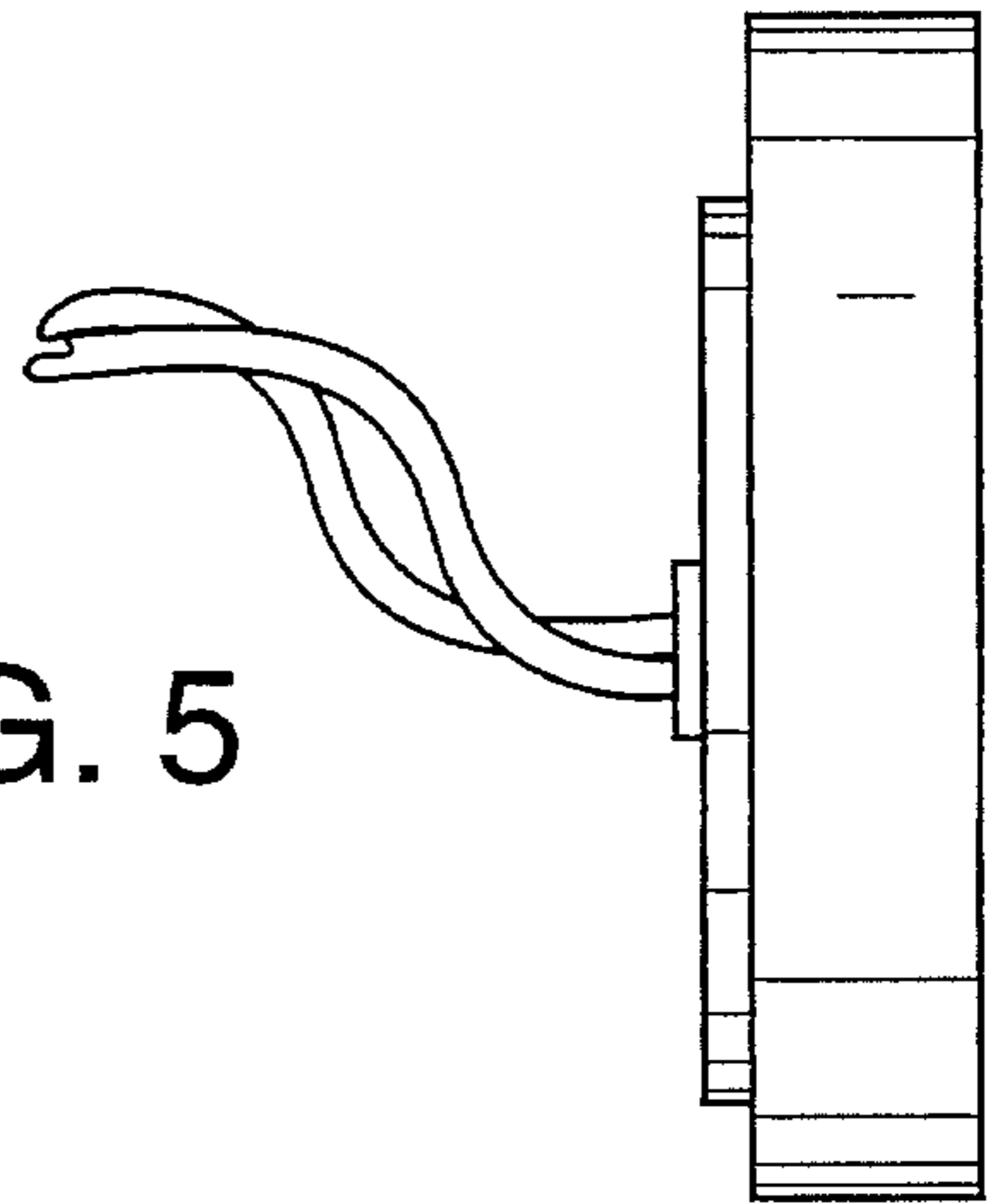
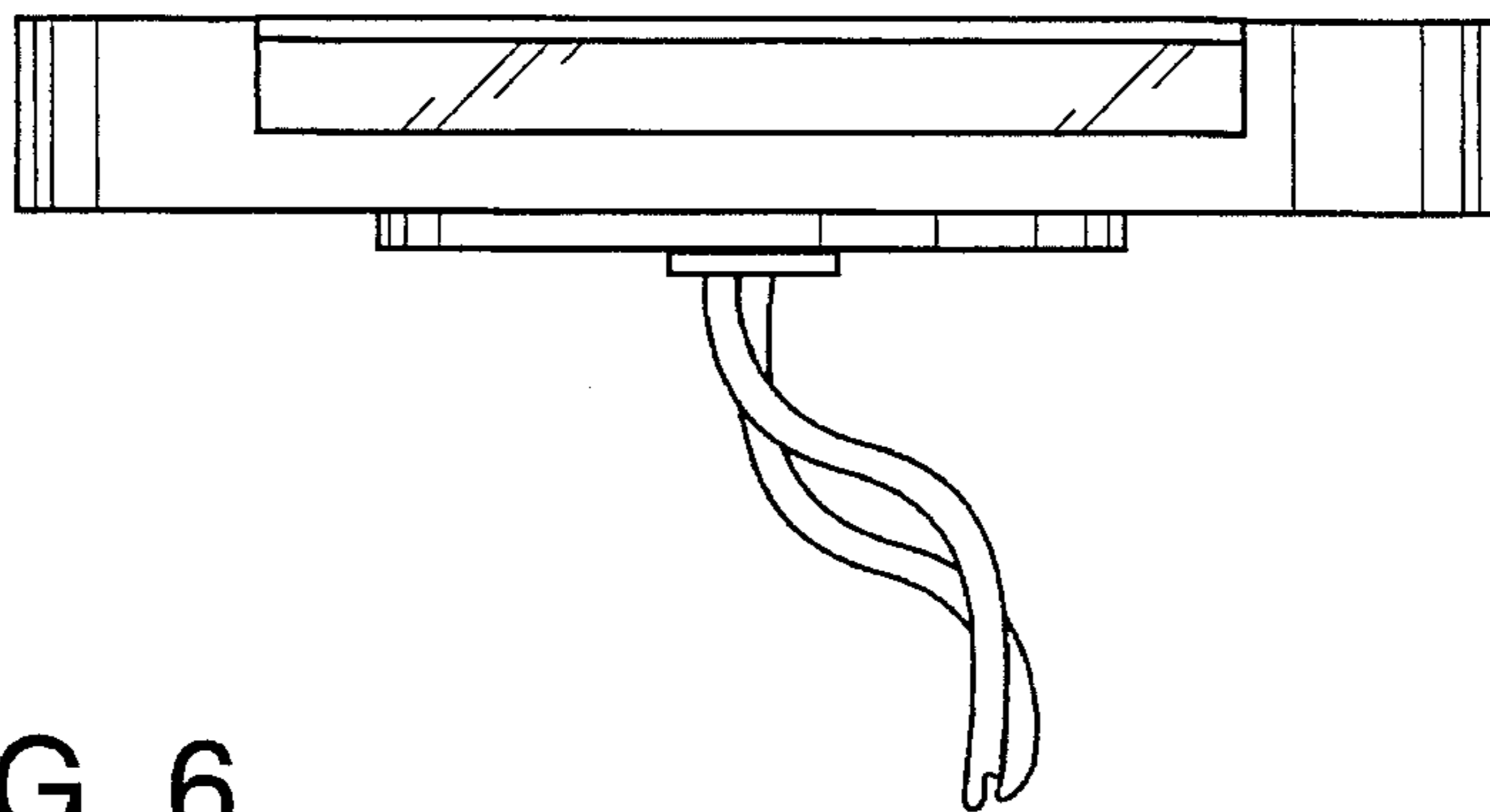


FIG. 6



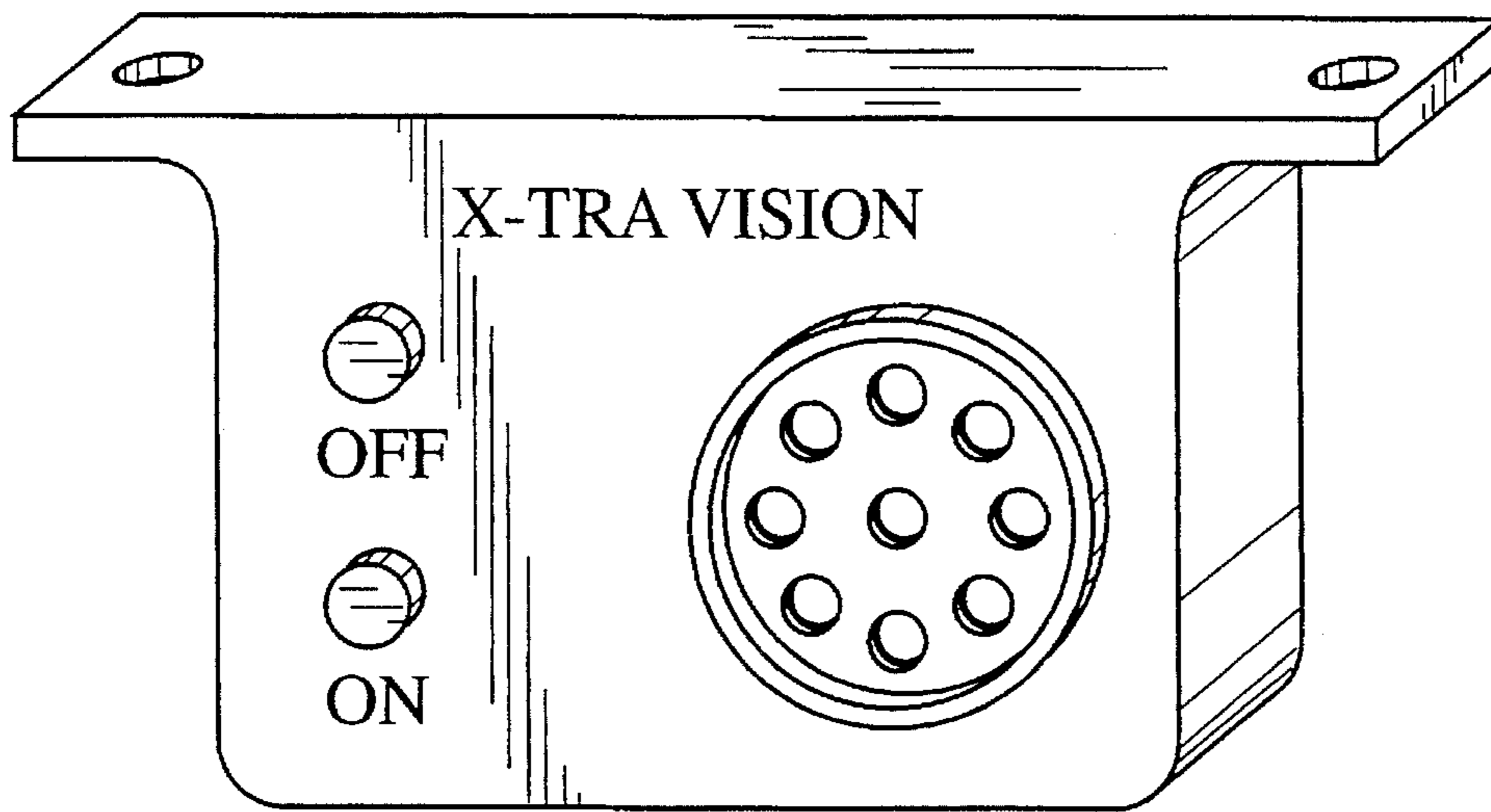


FIG. 7

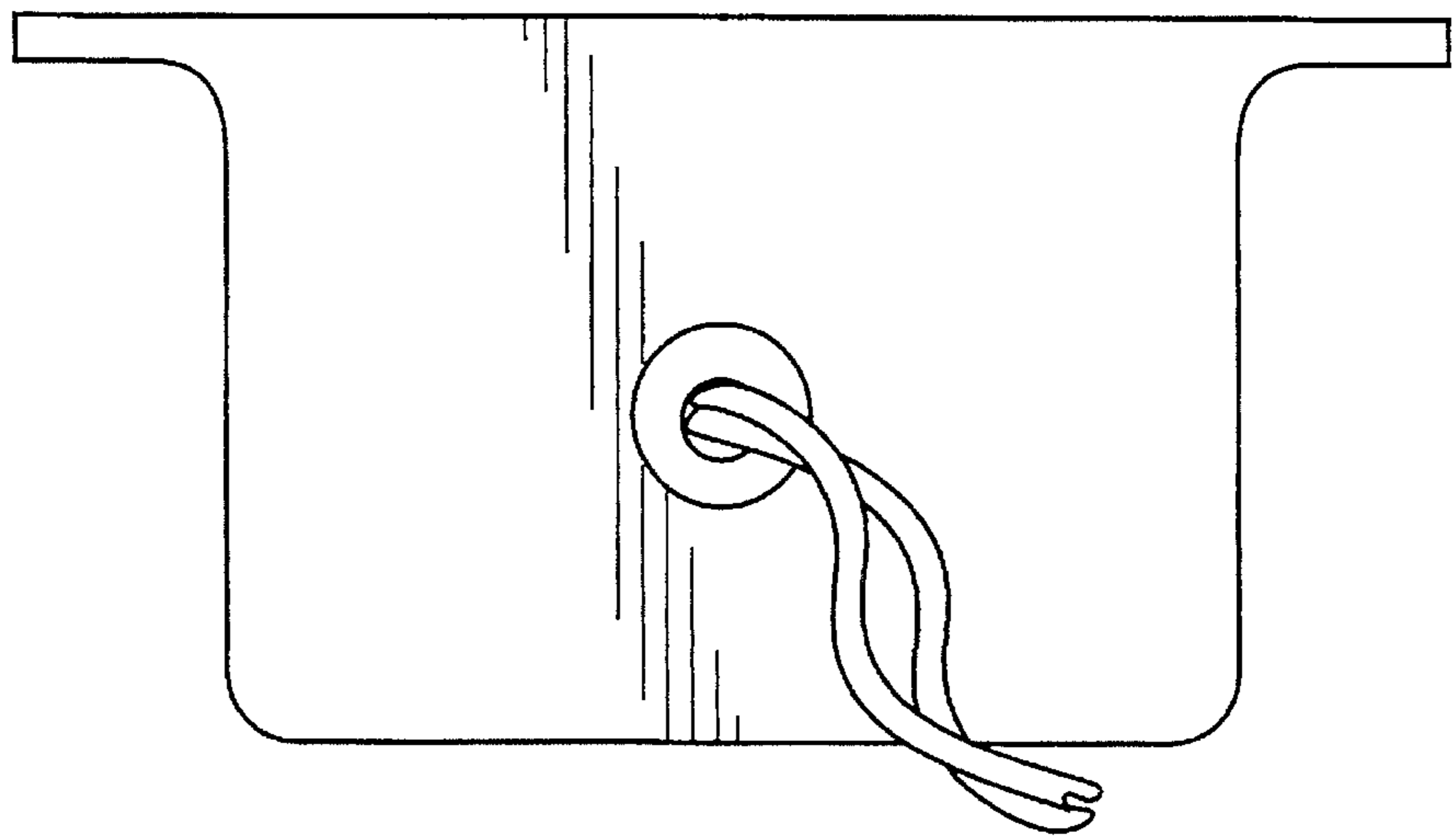


FIG. 8

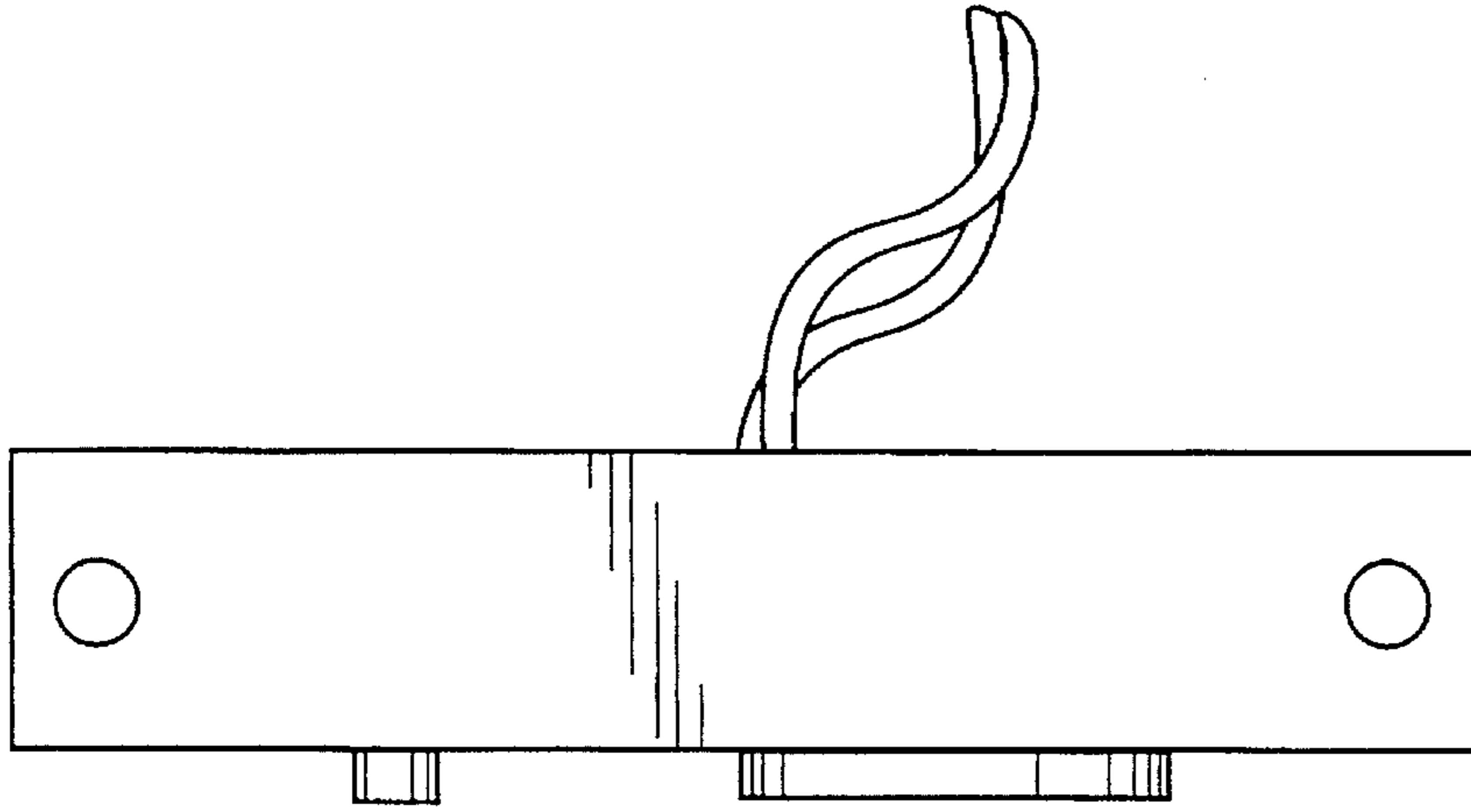
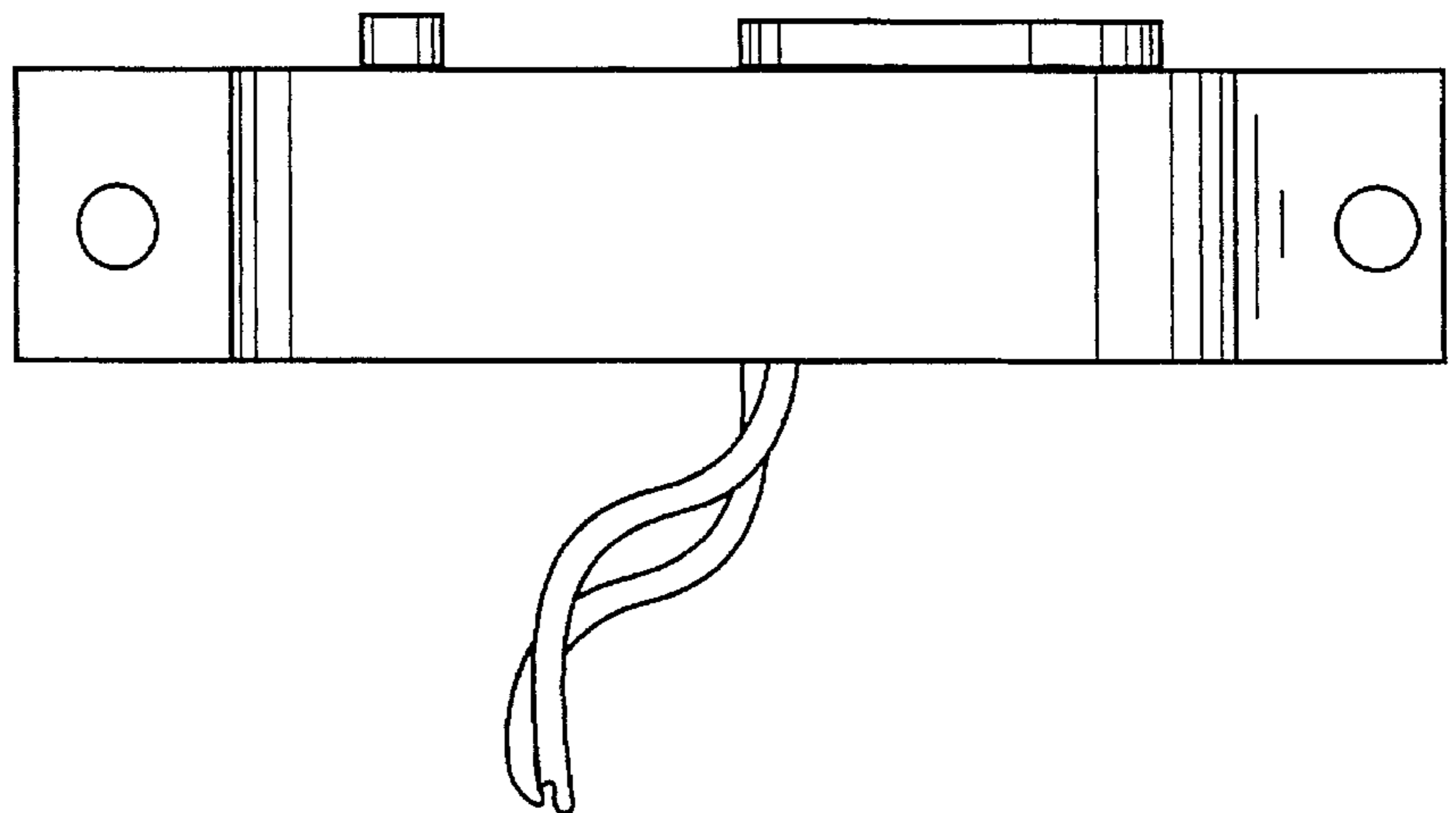


FIG. 9

FIG. 10



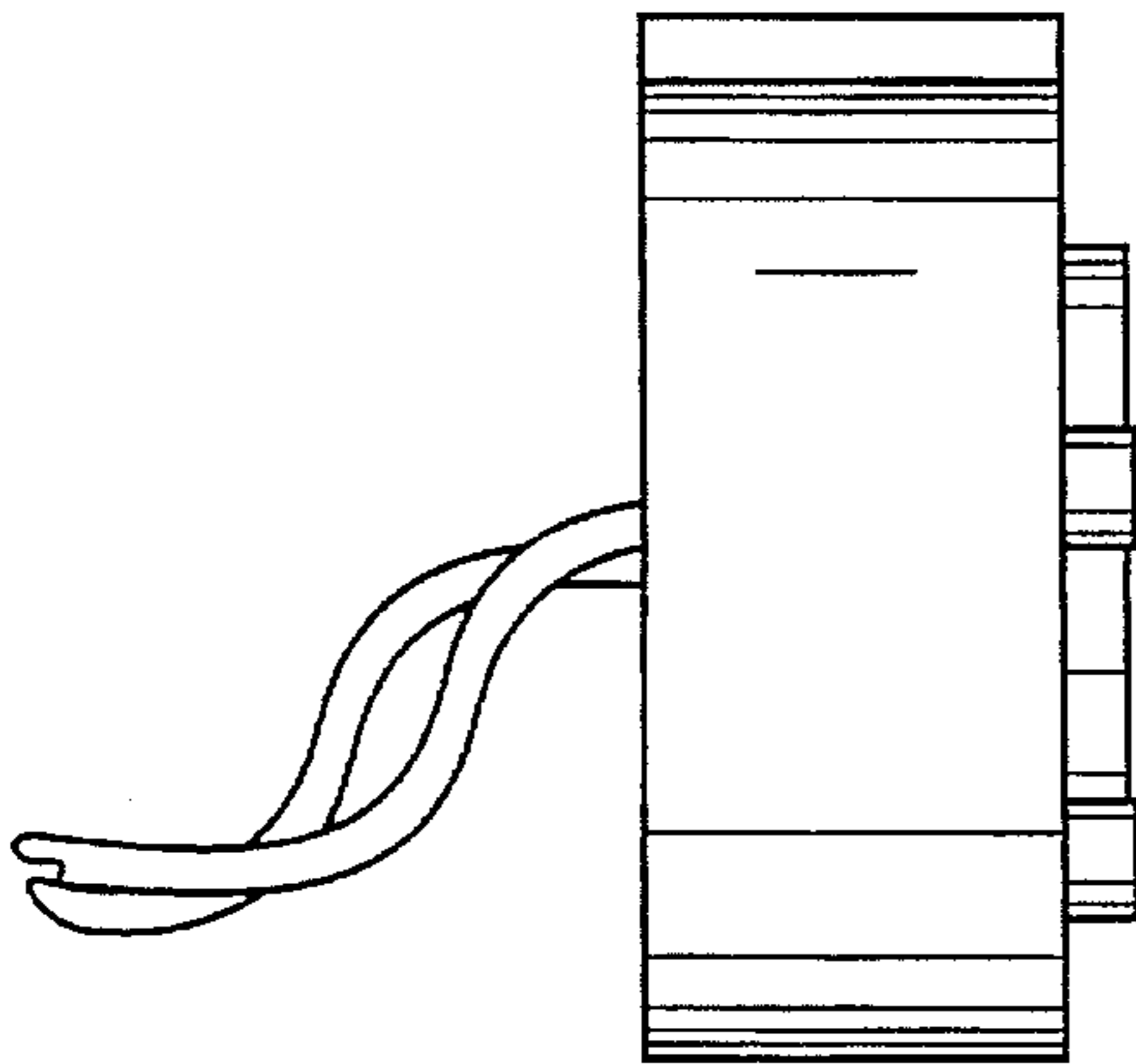


FIG. 11

FIG. 12

