



US00D376117S

# United States Patent [19]

[11] Patent Number: **Des. 376,117**

**Kovens**

[45] Date of Patent: **\*\*Dec. 3, 1996**

[54] **CORNER MOUNT PASSIVE INFRARED MOTION DETECTOR**

D. 359,008	6/1995	Sandell et al.	.....	D10/106
D. 360,157	7/1995	Sandell et al.	.....	D10/106
D. 363,804	10/1995	Parker et al.	.....	D10/106
2,640,670	6/1953	Lampe	.	
5,103,346	4/1992	Chang	.	

[75] Inventor: **Michael L. Kovens**, Baltimore, Md.

[73] Assignee: **Universal Security Instruments, Inc.**, Owings Mills, Md.

*Primary Examiner*—Marcus A. Jackson  
*Attorney, Agent, or Firm*—Howard L. Rose

[\*\*] Term: **14 Years**

[57] **CLAIM**

[21] Appl. No.: **42,672**

The ornamental design for a corner mount passive infrared motion detector, as shown and described.

[22] Filed: **Aug. 14, 1995**

**DESCRIPTION**

[52] U.S. Cl. .... **D10/106**

[58] Field of Search ..... D10/104, 106,  
D10/116, 121; 340/521, 540, 541, 542,  
543, 544, 545, 546, 555, 556, 557, 565,  
600, 693

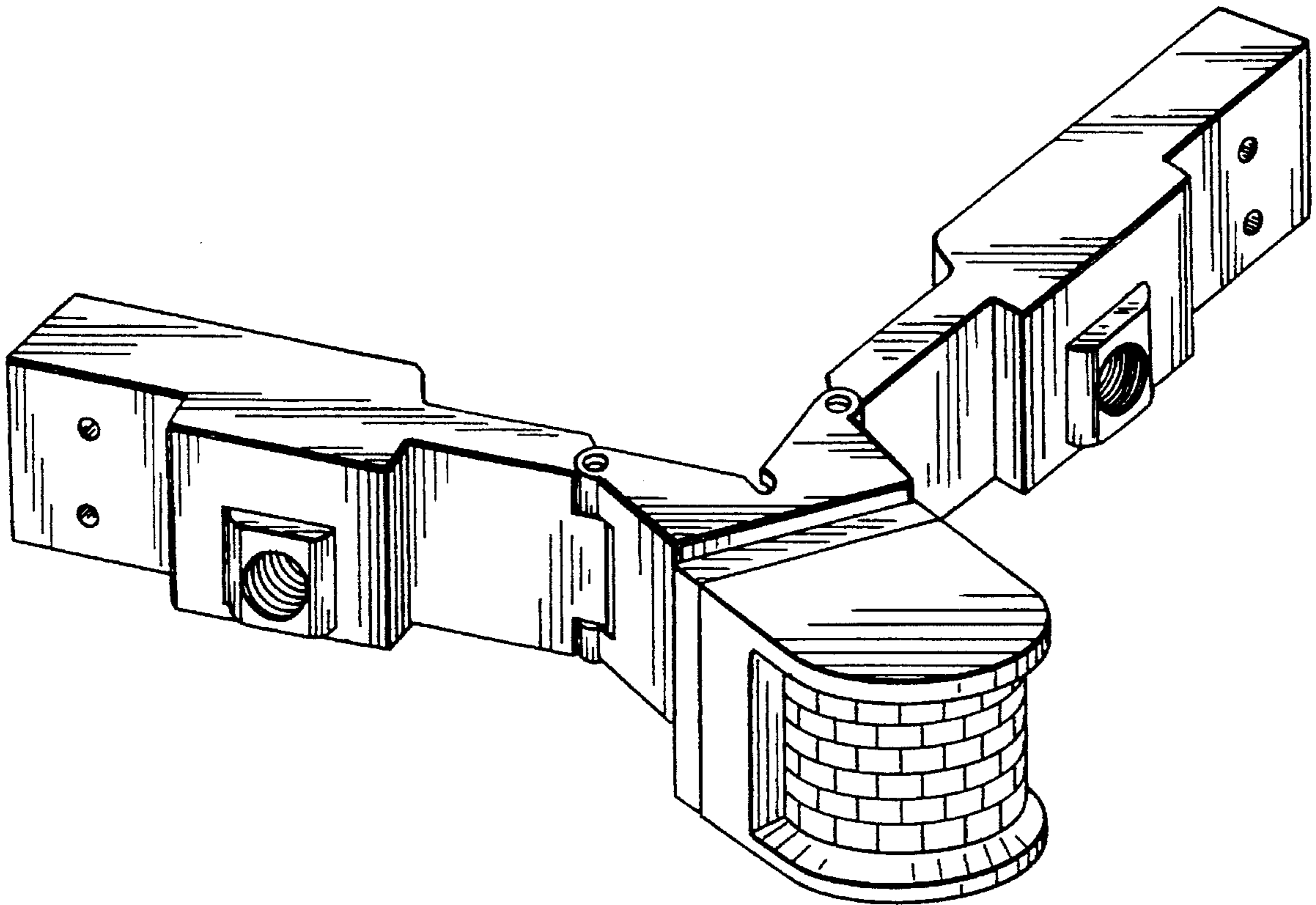
FIG. 1 is a perspective view of the top front corner mount passive infrared motion detector of the invention;  
 FIG. 2 is an enlarged front elevational view of the corner mount infrared detector of the invention;  
 FIG. 3 is a rear view of the corner mount passive infrared motion detector;  
 FIG. 4 is a bottom view of the corner mount passive infrared motion detector; and,  
 FIG. 5 is a left side view of the corner mount passive infrared motion detector of the invention; the right side view is a mirror image of the left side view.

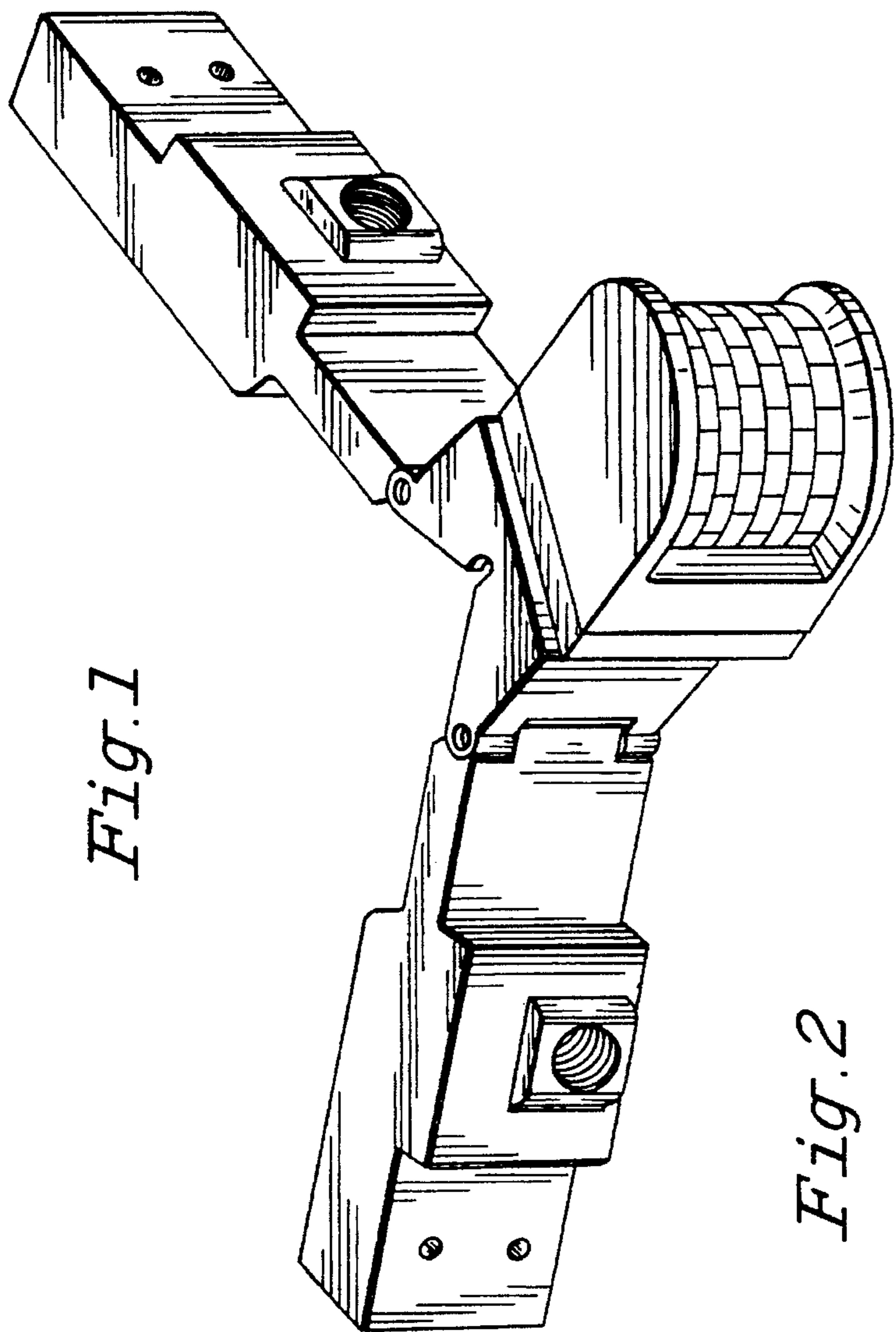
[56] **References Cited**

**U.S. PATENT DOCUMENTS**

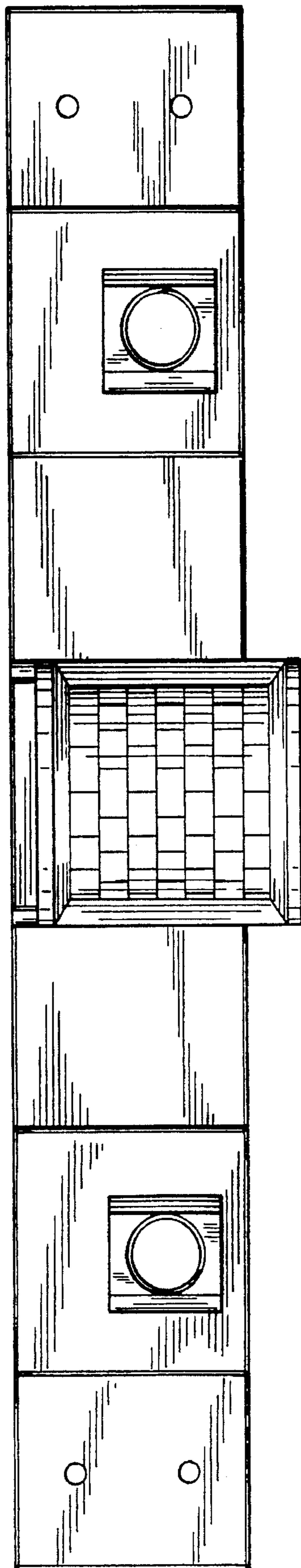
D. 185,857	8/1959	Chiandussi et al.	.	
D. 311,877	11/1990	Cheng	.....	D10/104
D. 312,053	11/1990	Jacobs et al.	.....	D10/106
D. 319,030	8/1991	Zuce	.....	D10/106
D. 342,334	12/1993	Vakil	.	

**1 Claim, 2 Drawing Sheets**



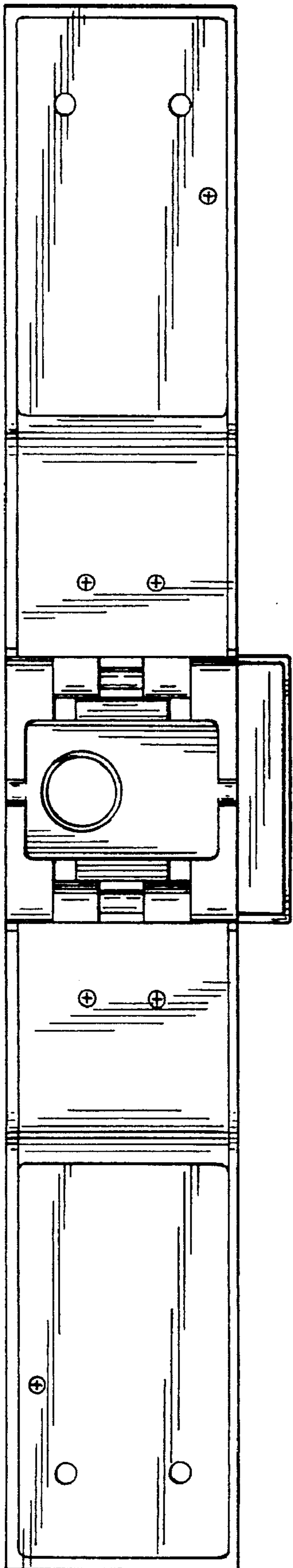


*Fig. 1*

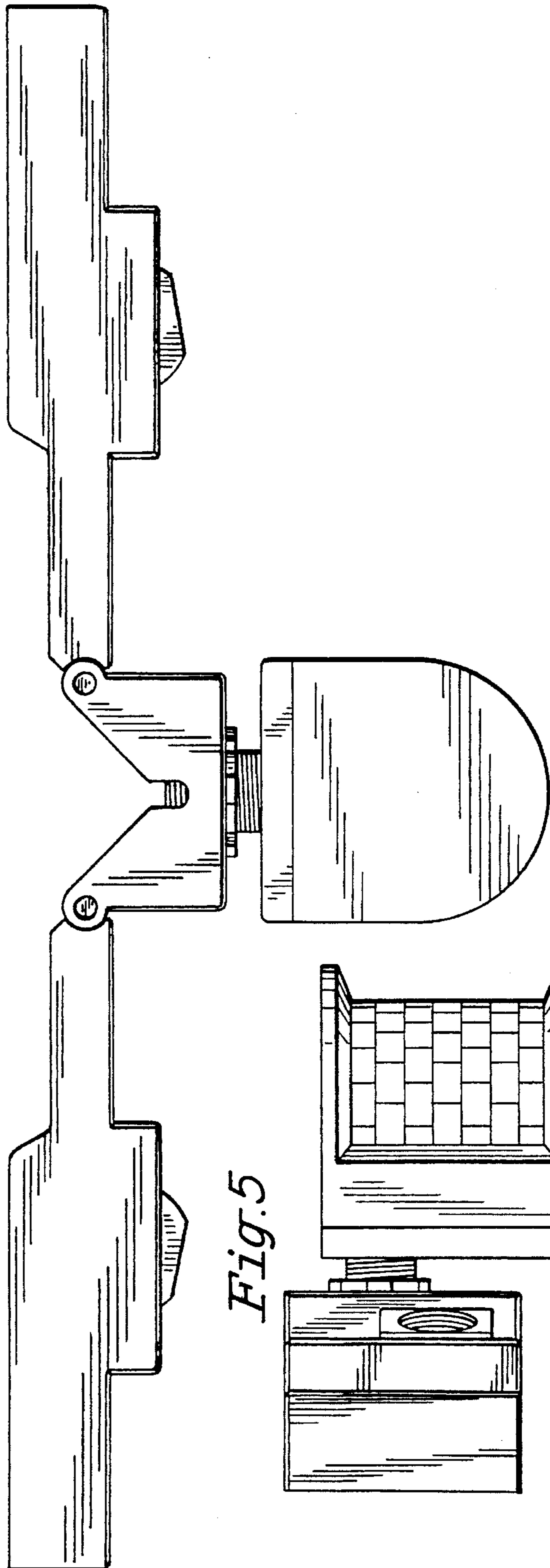


*Fig. 2*

*Fig. 3*



*Fig. 4*



*Fig. 5*

