



US00D376113S

United States Patent [19]

[11] Patent Number: **Des. 376,113**

Van Meter et al.

[45] Date of Patent: ****Dec. 3, 1996**

[54] **COLLAR HOUSING FOR A ROTOR-STATOR ADAPTOR FOR SENSITIVE ROTATING VISCOMETERS**

Primary Examiner—Antoine Duval Davis
Attorney, Agent, or Firm—Christopher John Rudy

[75] Inventors: **John L. Van Meter; Kevin J. Wolfe; Gregory C. Miiller; Theodore W. Selby**, all of Midland, Mich.

[57] **CLAIM**

The ornamental design for a collar housing for a rotor-stator adaptor for sensitive rotating viscometers, as shown and described.

[73] Assignee: **Tannas Co.**, Midland, Mich.

DESCRIPTION

[**] Term: **14 Years**

FIG. 1 is a front view of a collar housing for a rotor-stator adaptor for sensitive rotating viscometers showing our new design;

[21] Appl. No.: **43,532**

FIG. 2 is a back view thereof;

[22] Filed: **Aug. 9, 1995**

FIG. 3 is a side view thereof, the other side being essentially the same;

[52] U.S. Cl. **D10/80**

FIG. 4 is a top view thereof;

[58] Field of Search D10/46, 80, 96;
D8/373, 376; 73/54.28, 54.33, 54.35

FIG. 5 is a bottom view thereof;

[56] **References Cited**

FIG. 6 is a perspective view thereof;

U.S. PATENT DOCUMENTS

FIG. 7 is a front view of another embodiment of a collar housing for a rotor-stator adaptor for rotating viscometers of the invention, which has a generally elliptical top profile to its plate with a notch therein (observable in figures to follow);

- D. 306,689 3/1990 Hamann D8/373 X
- 4,648,263 3/1987 Deysarkar et al. 73/59
- 5,369,988 12/1994 Selby 73/54.28

FIG. 8 is a back view thereof;

OTHER PUBLICATIONS

- UWR Scientific; Saybolt Viscosity tube; ©1989/90; p. 103. Ser. No. 08/308918 Filed Sep. 20, 1994, "Rotor-Stator Adapter for Sensitive Rotating Viscometers."
- Ser. No. 29/030,792 Filed Nov. 8, 1994, "Collar Housing for a Rotor-Stator Adaptor for Sensitive Rotating Viscometers."

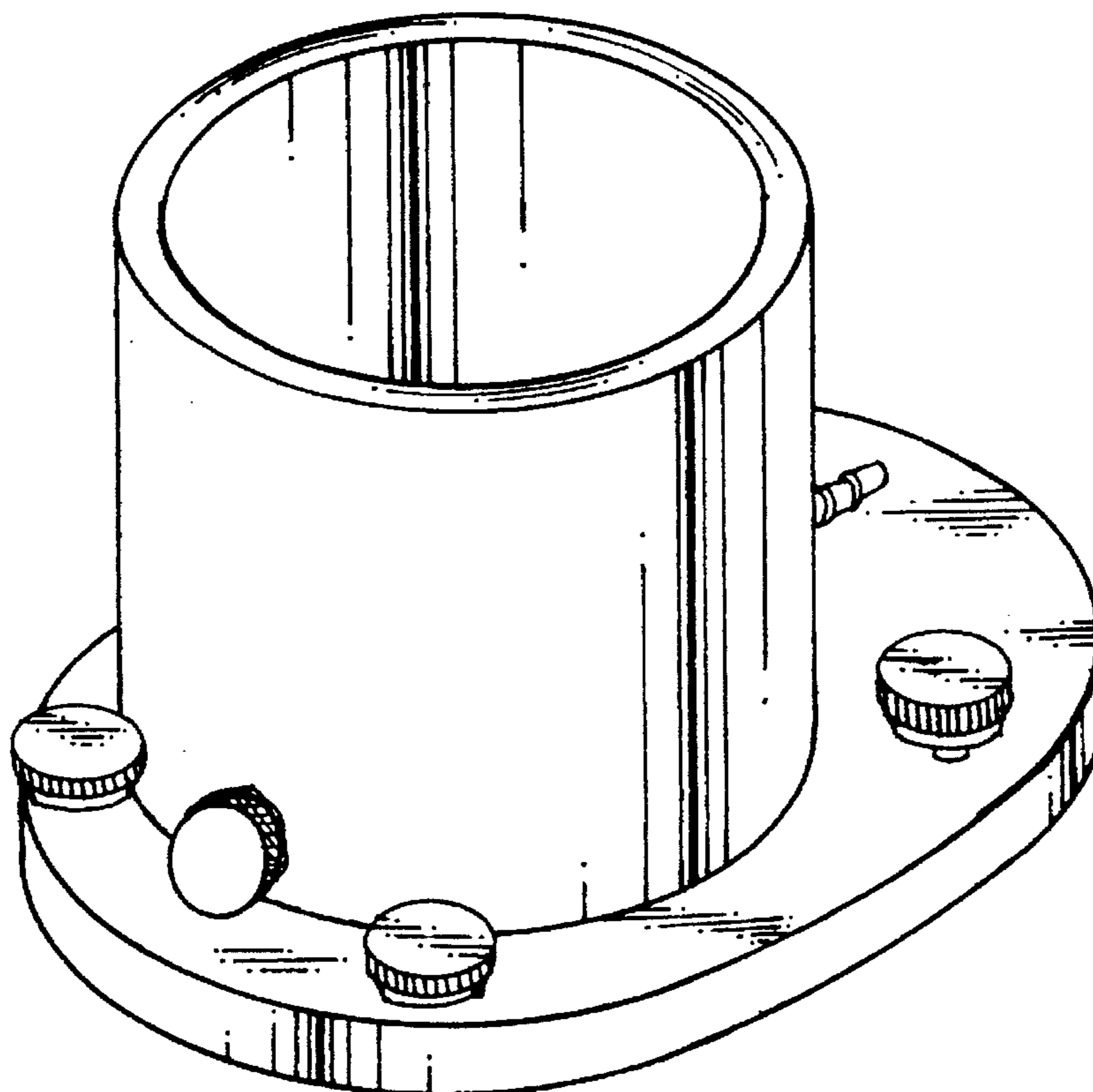
FIG. 9 is a side view thereof, the other side being essentially the same;

FIG. 10 is a top view thereof;

FIG. 11 is a bottom view thereof; and,

FIG. 12 is a perspective view thereof.

1 Claim, 4 Drawing Sheets



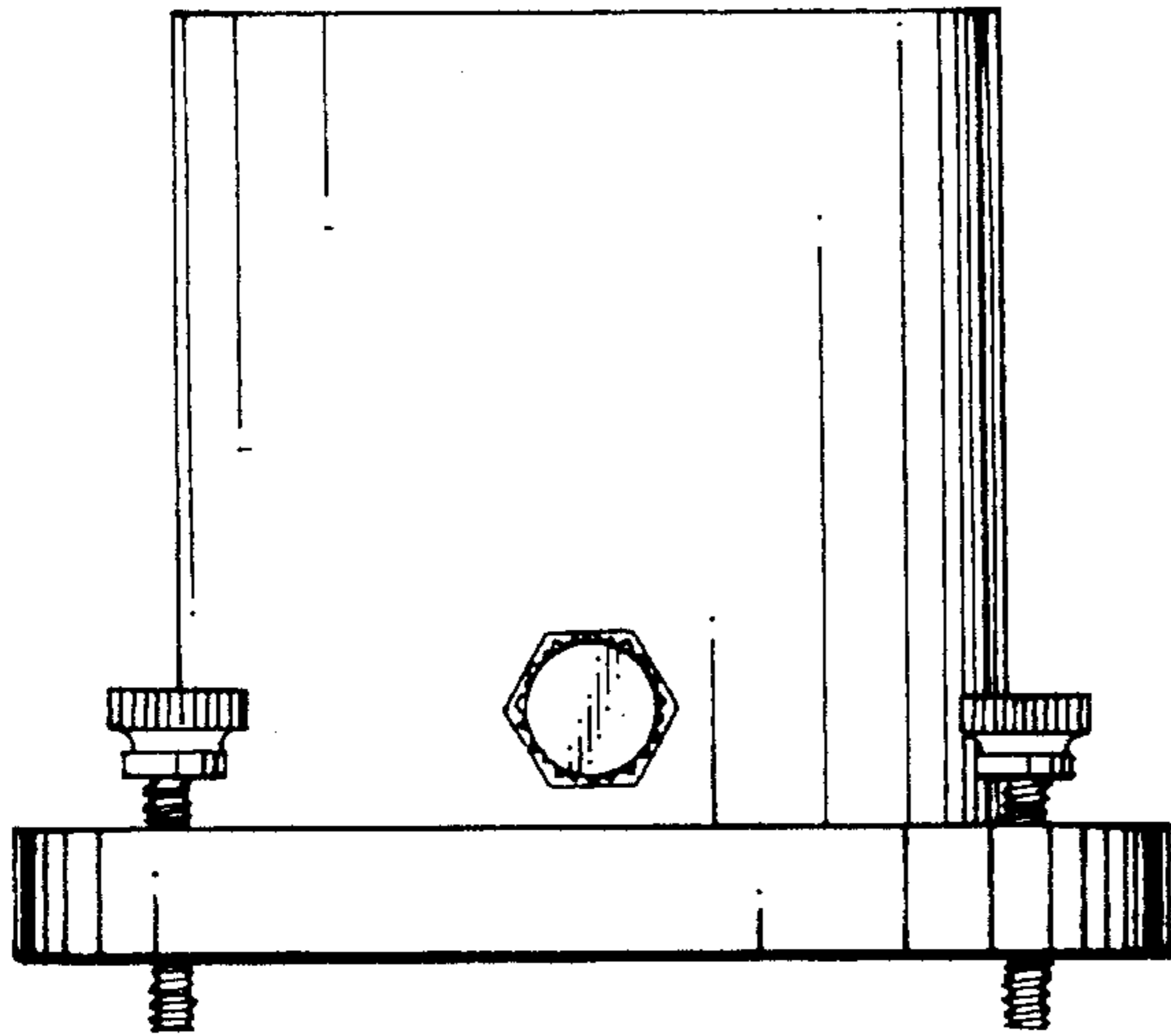


Fig. 1

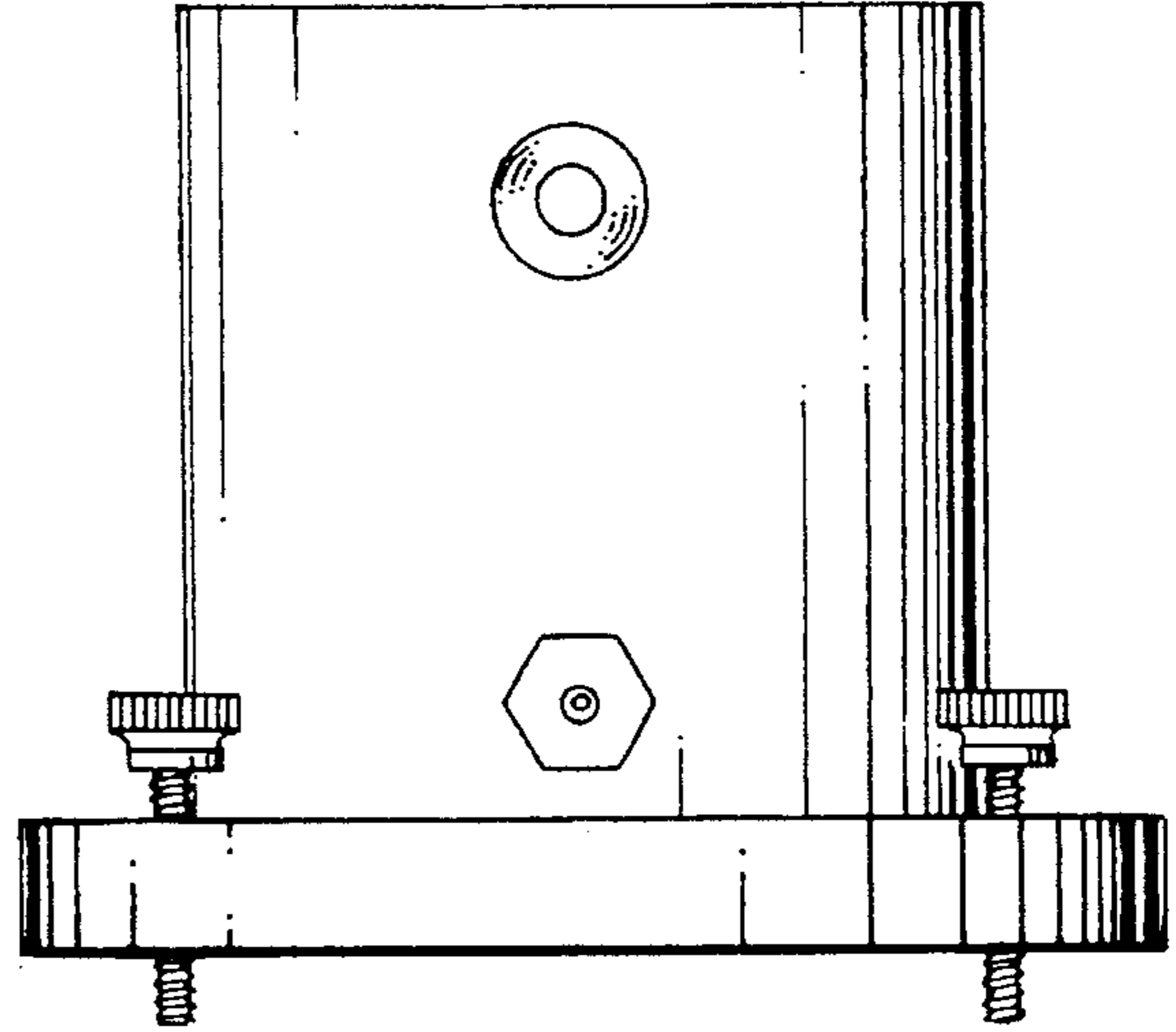


Fig. 2

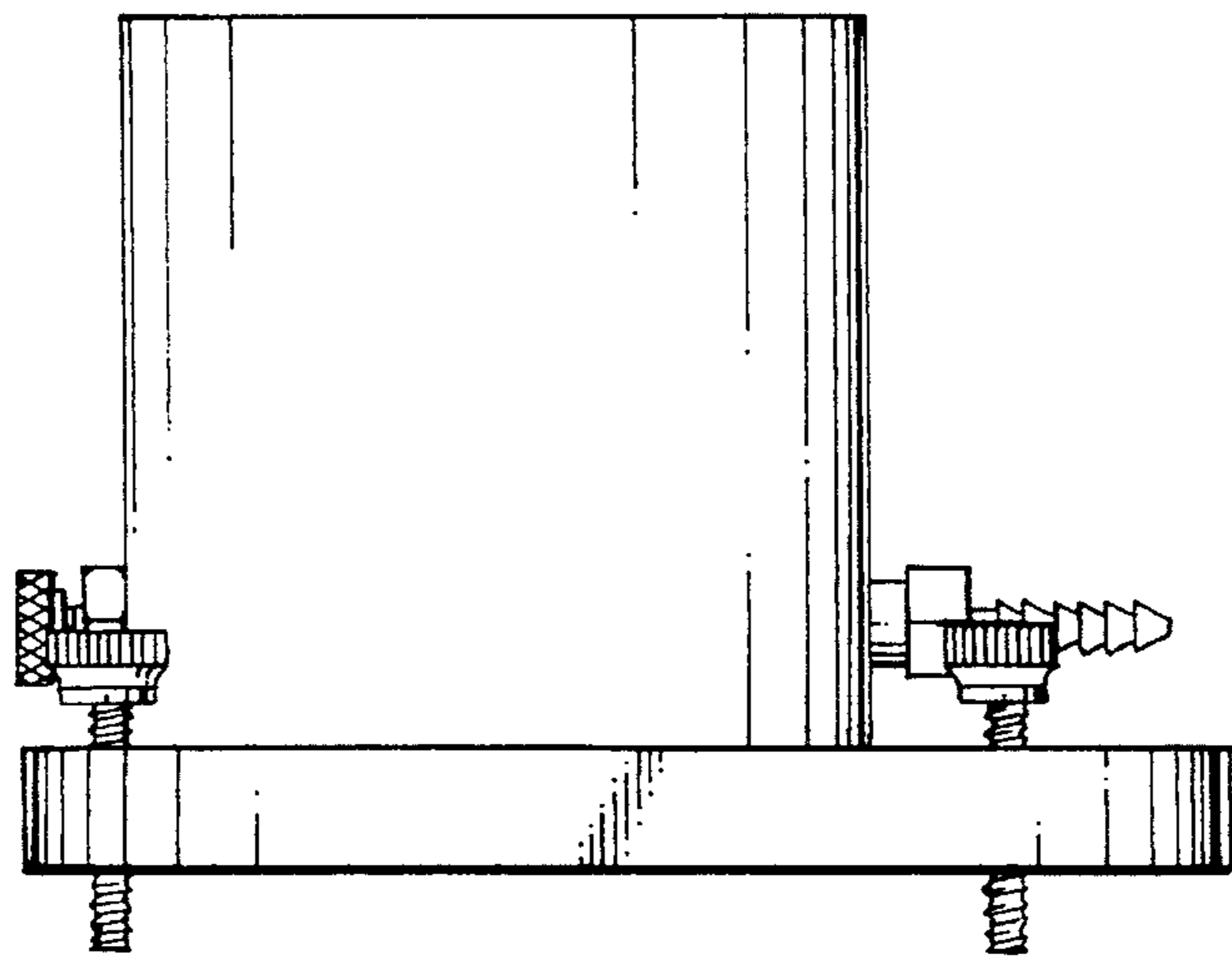


Fig. 3

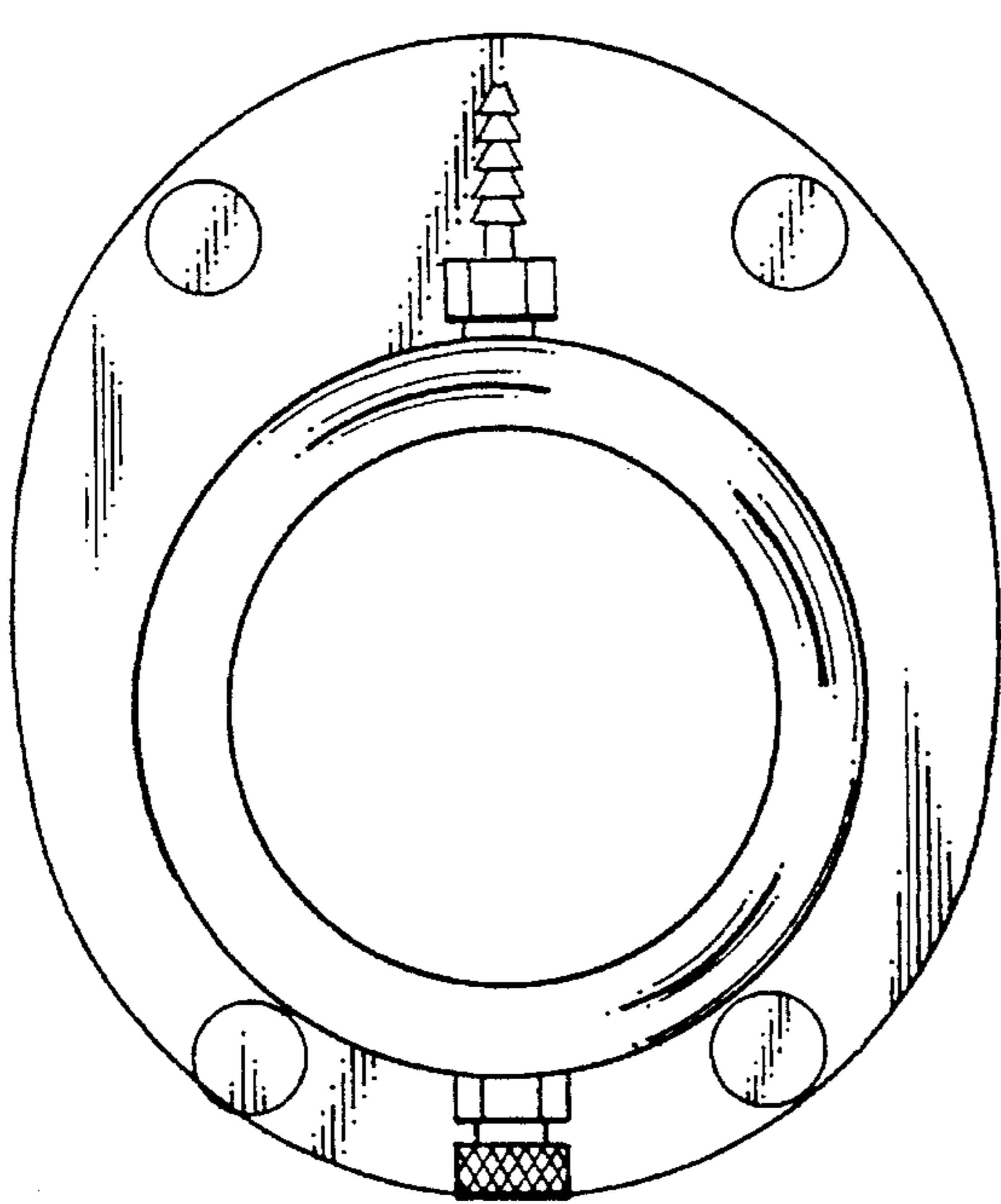


Fig. 4

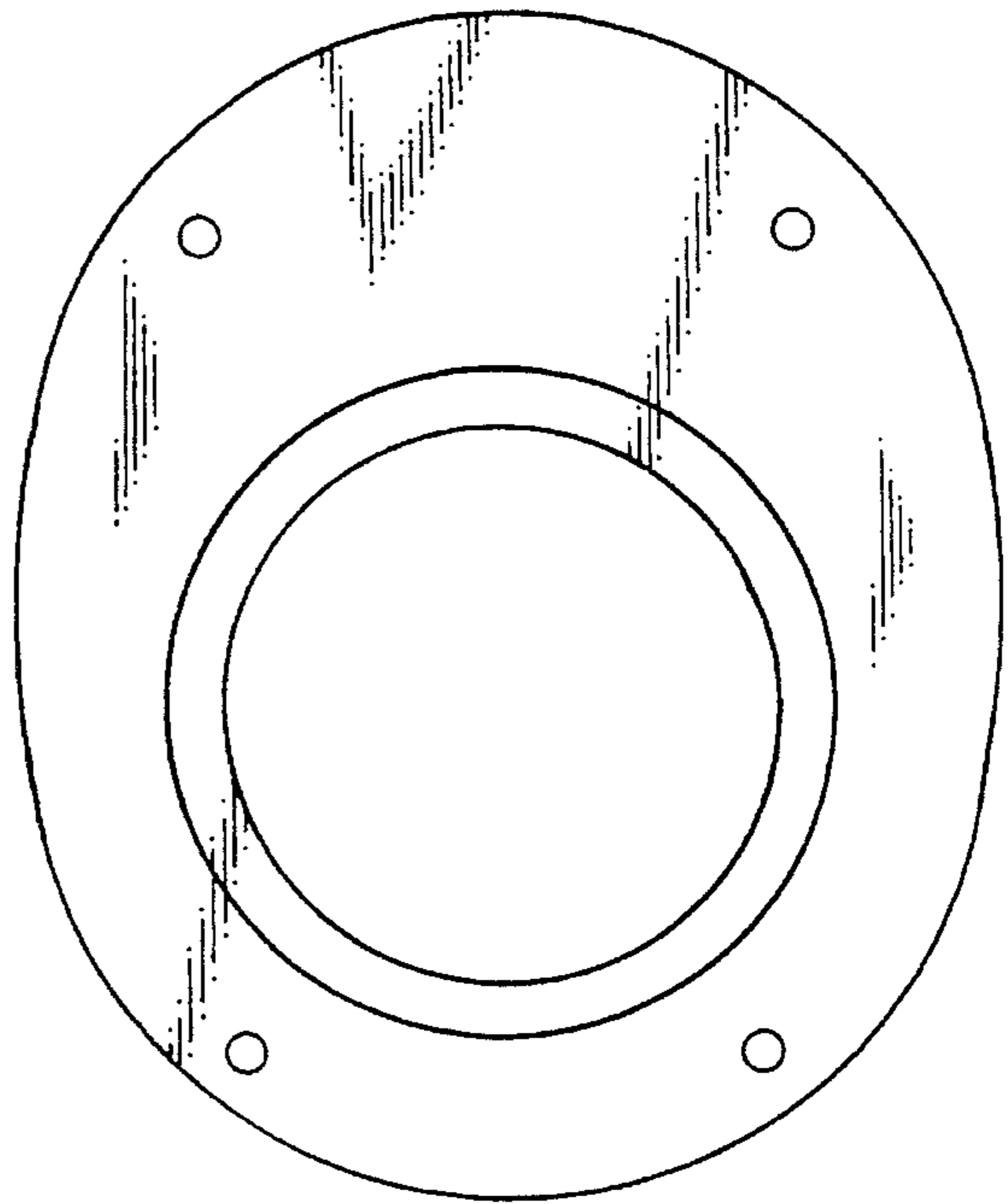


Fig. 5

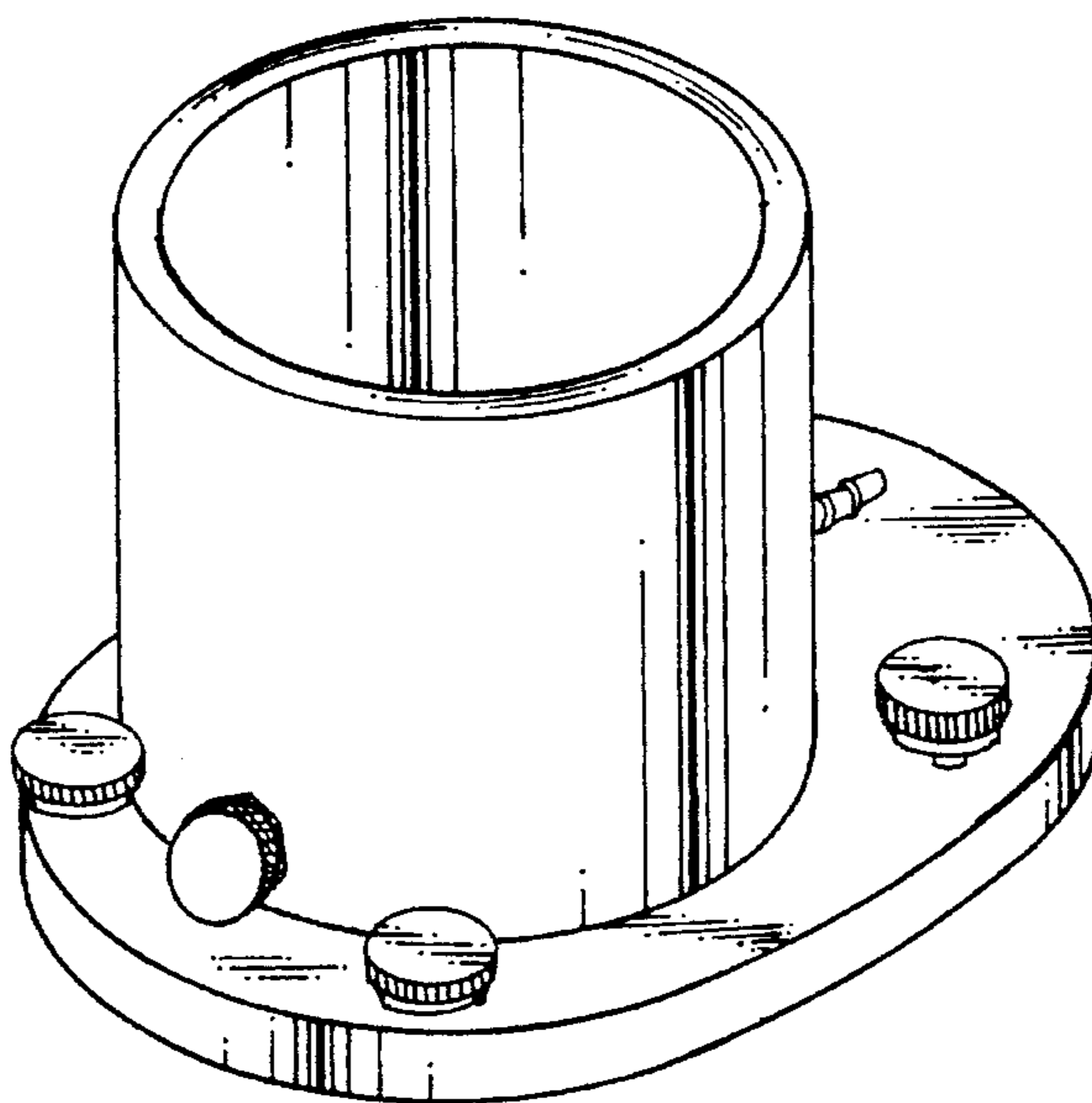


Fig. 6

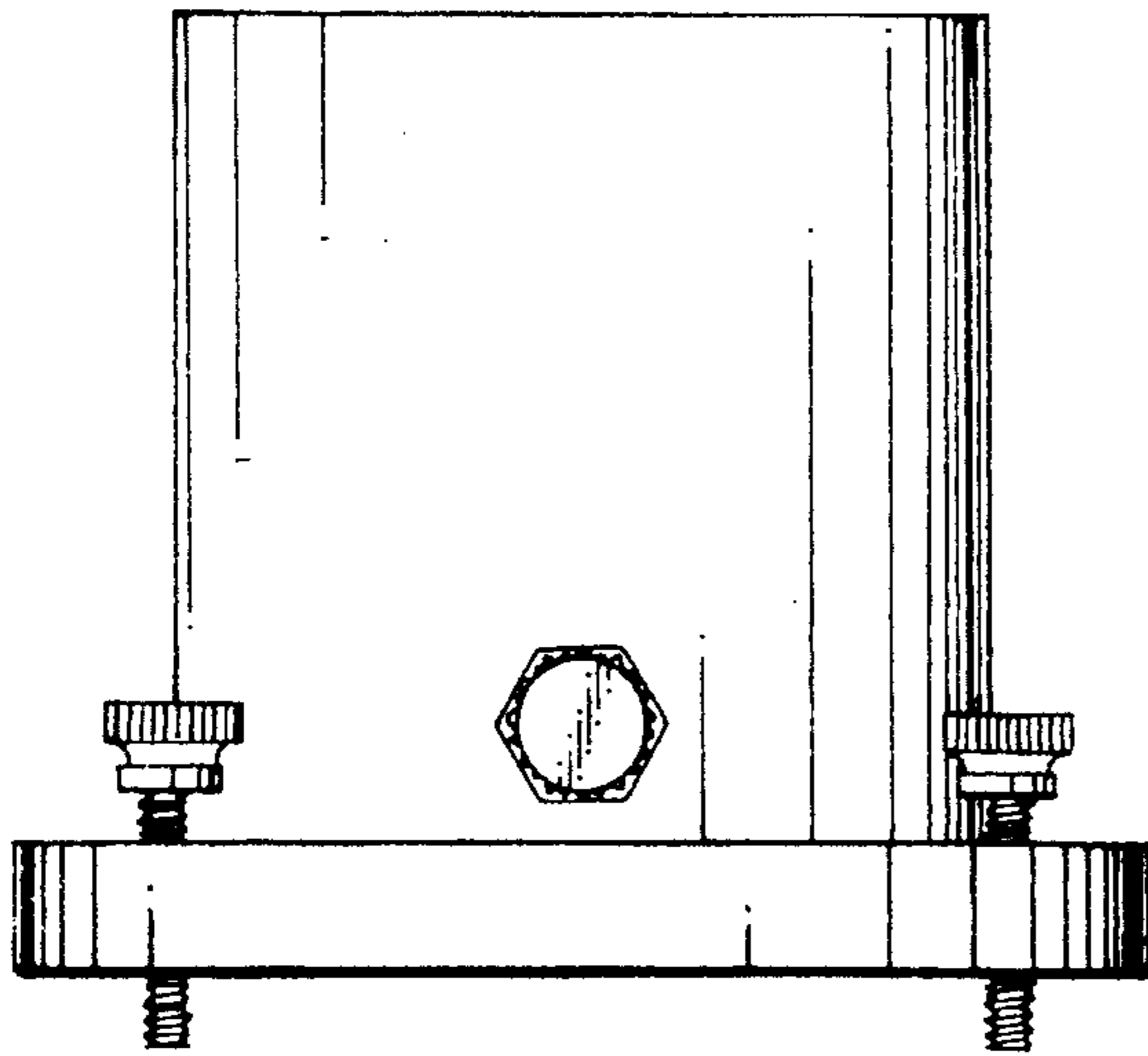


Fig. 7

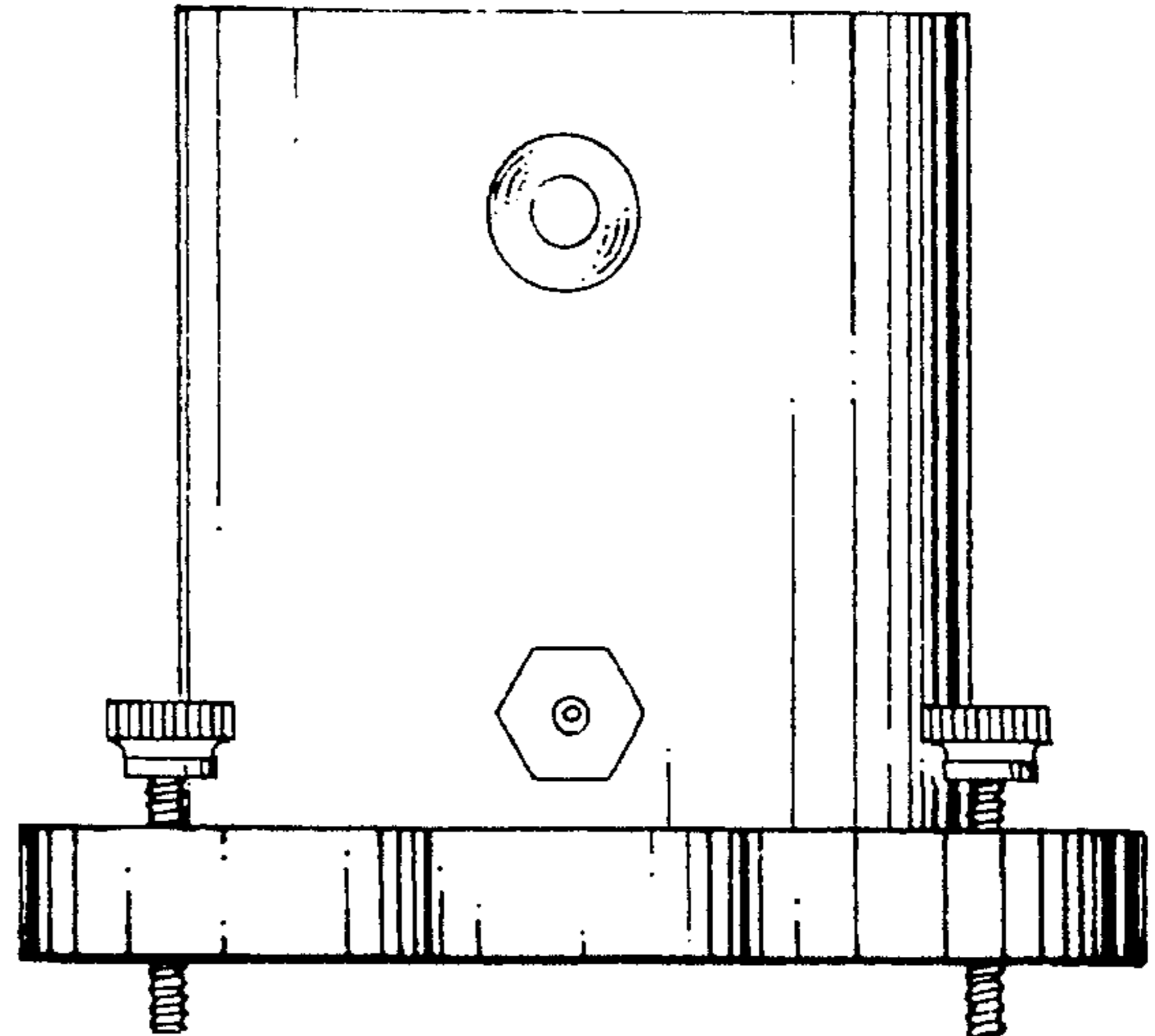


Fig. 8

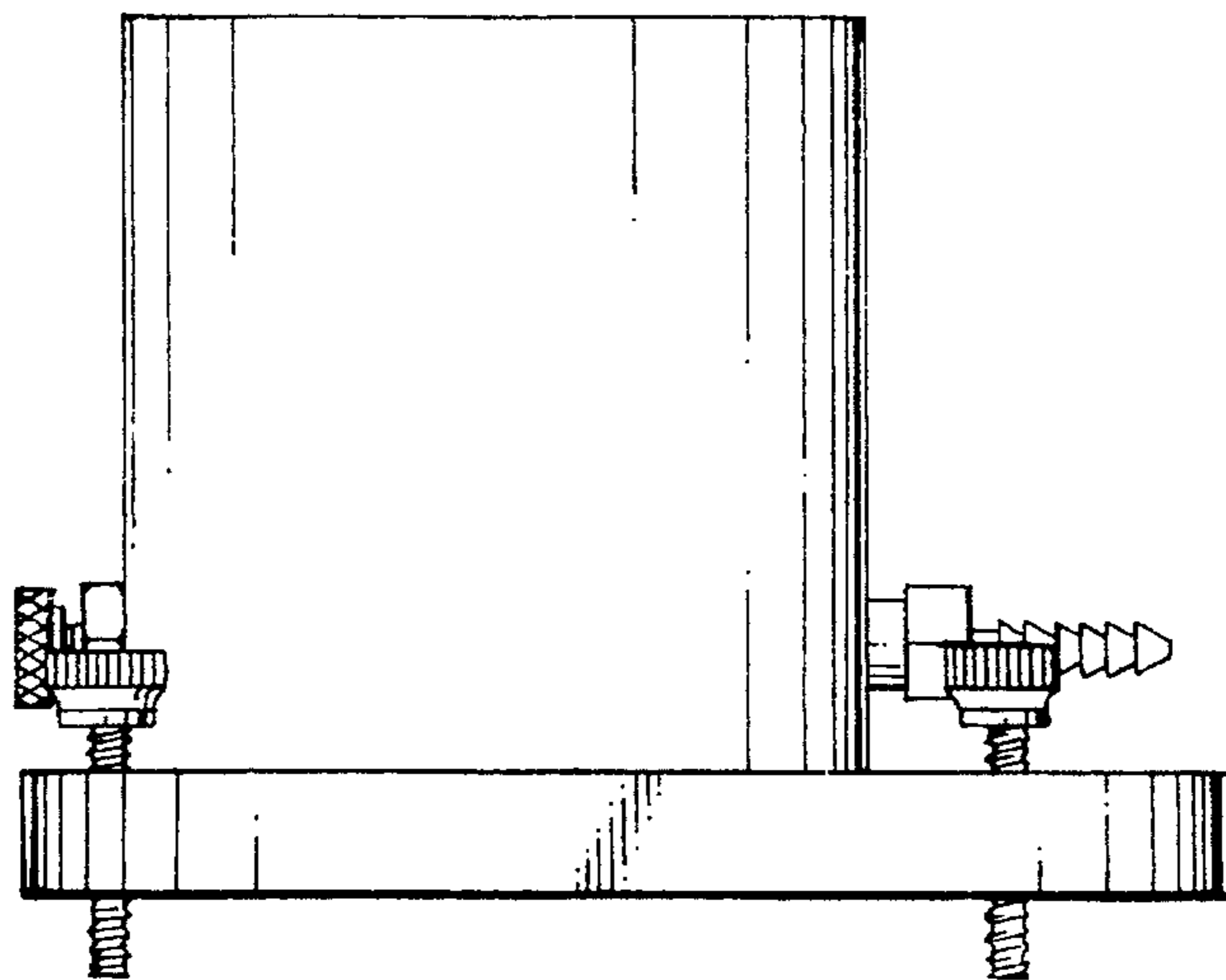


Fig. 9

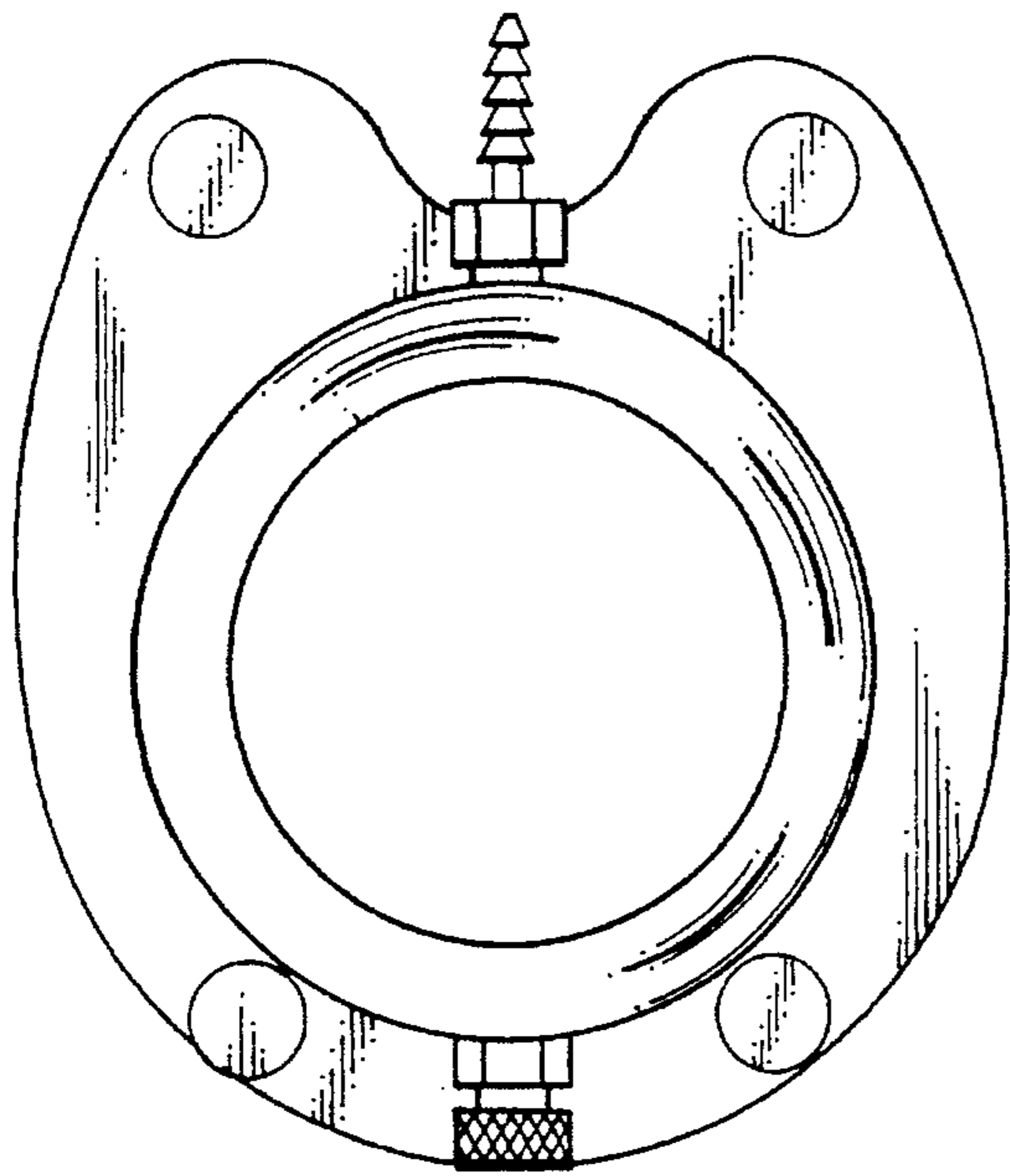


Fig. 10

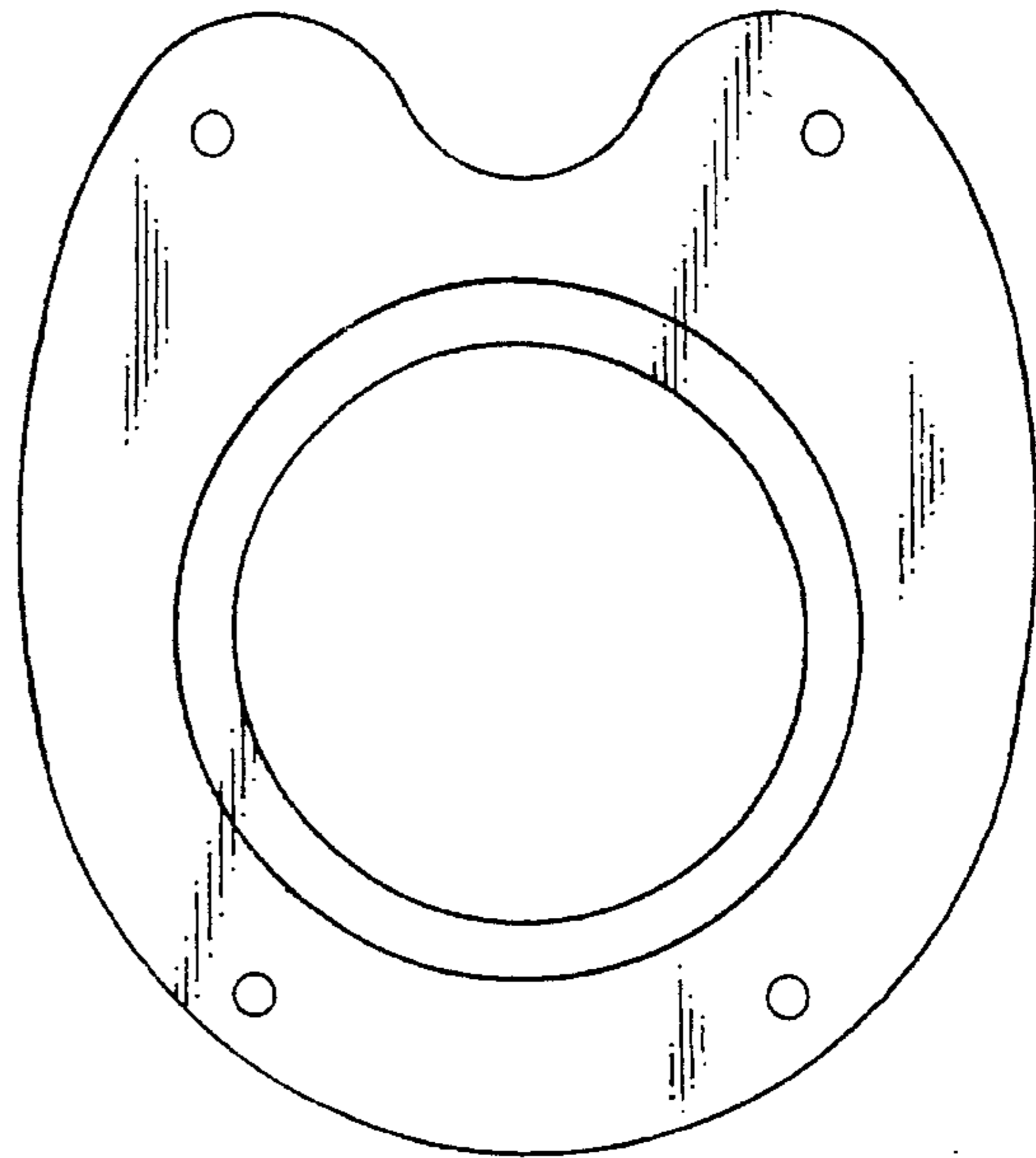


Fig. 11

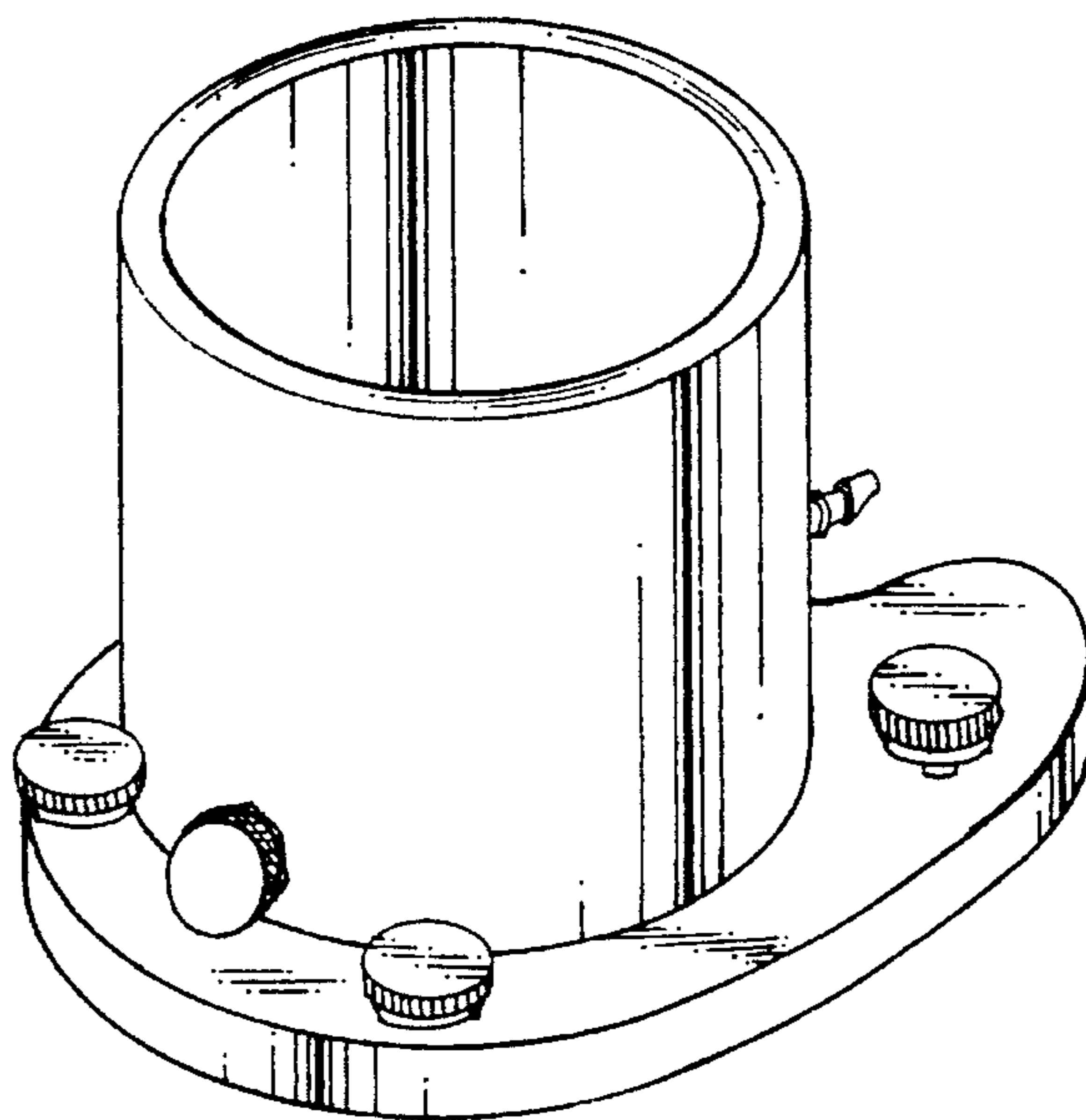


Fig. 12