



US00D376111S

United States Patent [19]

Ishii

[11] Patent Number: **Des. 376,111**

[45] Date of Patent: ****Dec. 3, 1996**

[54] **LASER MEASUREMENT EQUIPMENT**

[75] Inventor: **Mitsuo Ishii**, Tokyo, Japan

[73] Assignee: **Kabushiki Kaisha Topcon**, Tokyo, Japan

[**] Term: **14 Years**

[21] Appl. No.: **50,855**

[22] Filed: **Feb. 28, 1996**

[52] U.S. Cl. **D10/66**

[58] Field of Search D10/66; 33/276, 33/277, 293, DIG. 21; 250/206.2, 208.2, 214 B; 356/3.01, 5.06, 28, 138, 142, 141.1, 141.4, 399, 400; 368/120

[56] **References Cited**

U.S. PATENT DOCUMENTS

5,198,868 3/1993 Saito et al. 356/142

Primary Examiner—Antoine Duval Davis
Attorney, Agent, or Firm—Popham Haik Schnobrich & Kaufman, Ltd.

[57] **CLAIM**

The ornamental design for a laser measurement equipment, as shown and described.

DESCRIPTION

FIG. 1 is a perspective view of a laser measurement equipment as viewing from an upper direction with respect to the right front of the equipment, my new design being shown therein;

FIG. 2 is a perspective view of the equipment as viewing from an upper direction with respect to the right rear of the equipment, my new design being shown therein;

FIG. 3 is a front view of the laser measurement equipment; FIG. 4 is a rear view of the laser measurement equipment; FIG. 5 is a left side view of the laser measurement equipment, a right side view appears symmetrically to the left side view;

FIG. 6 is a plan view of the laser measurement equipment; and,

FIG. 7 is a bottom view of the laser measurement equipment.

1 Claim, 3 Drawing Sheets

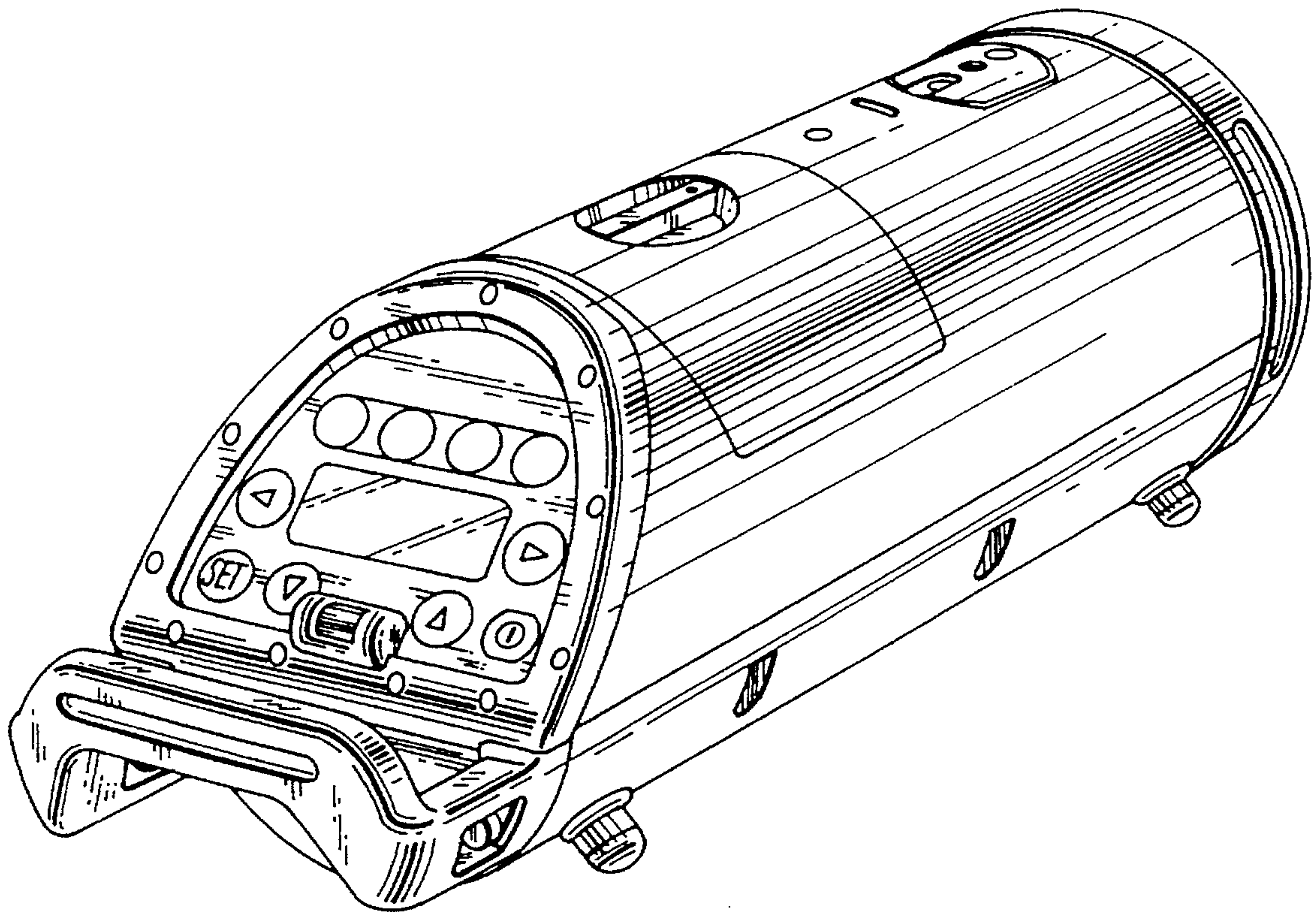


FIG. 1

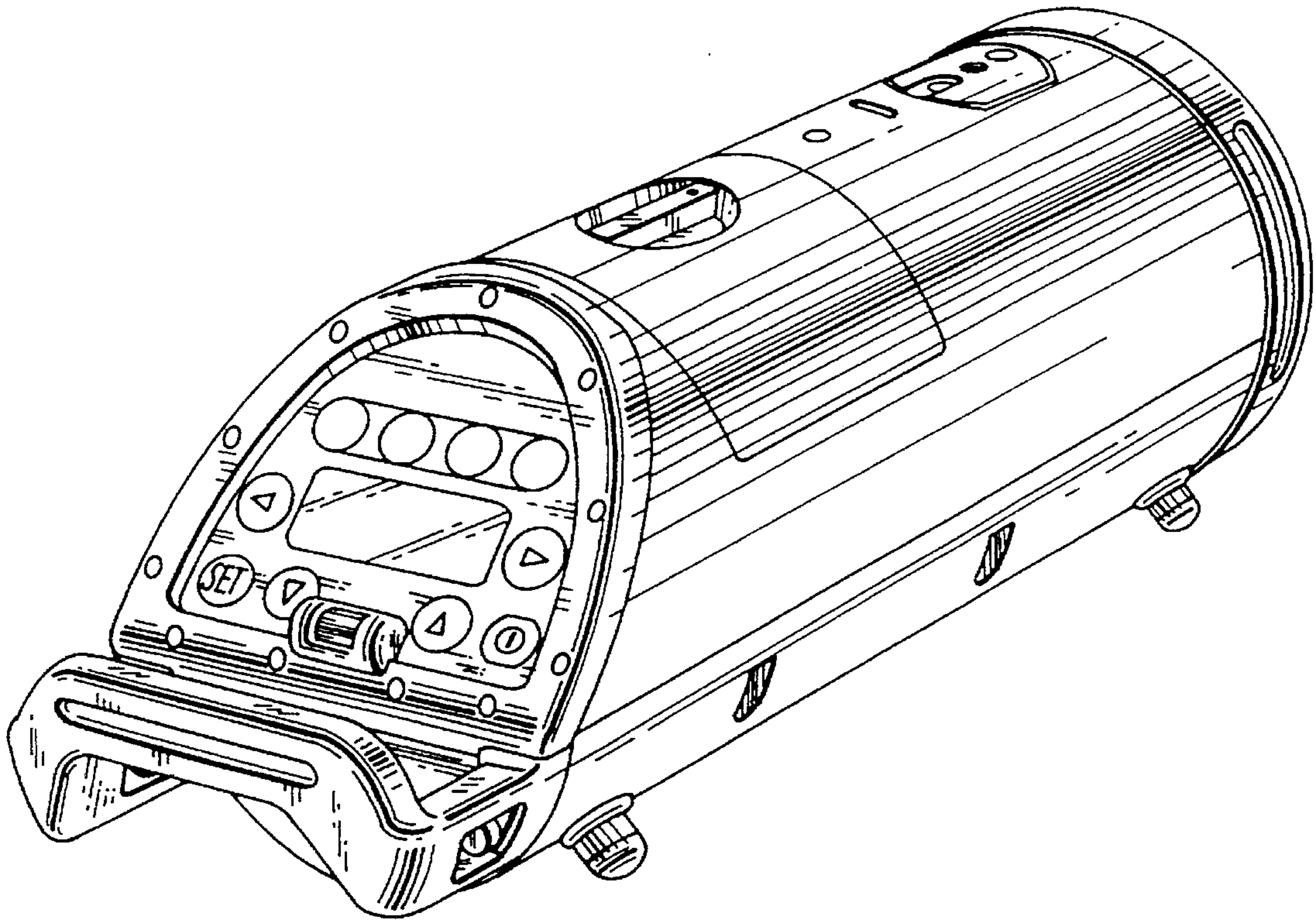


FIG. 2

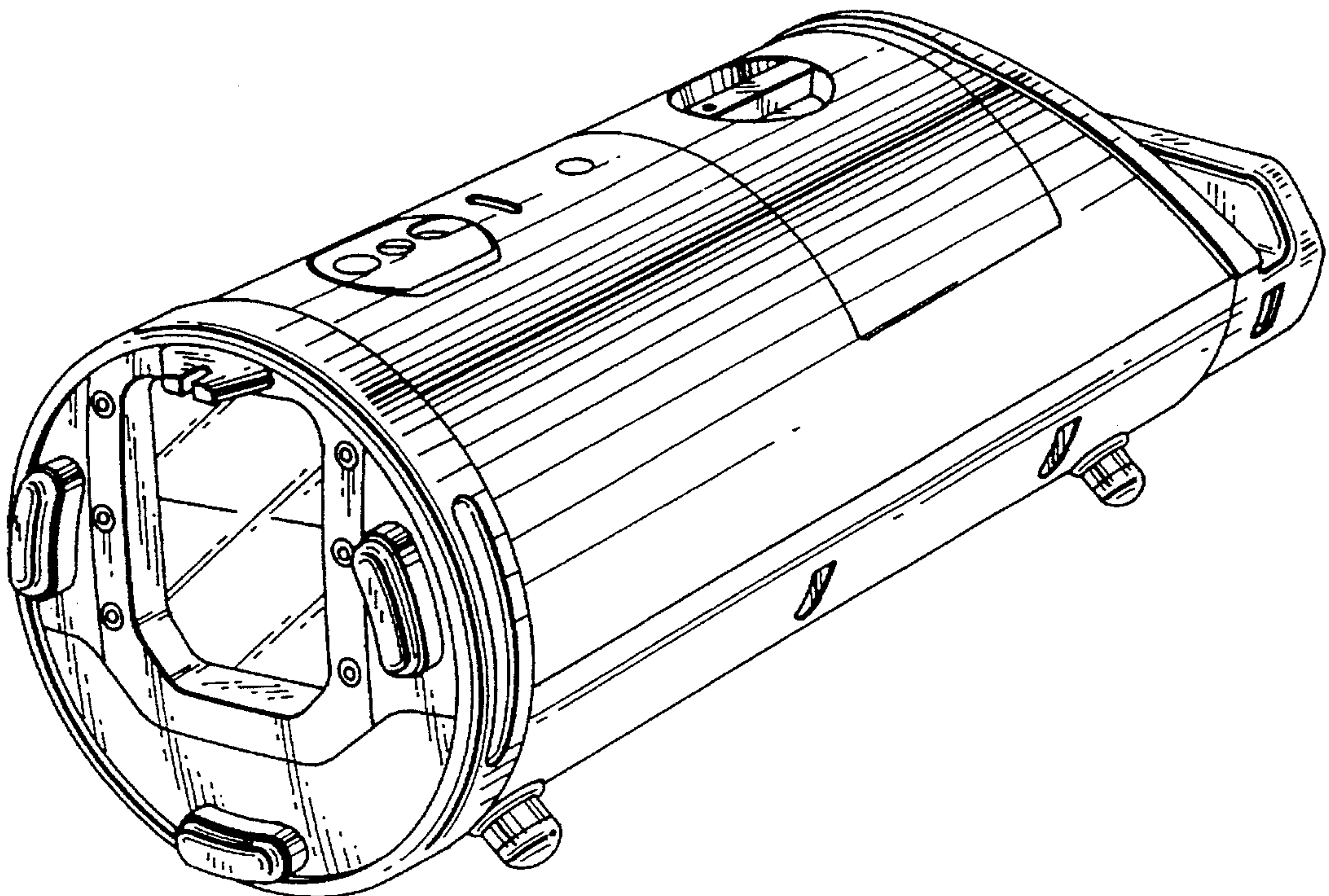


FIG. 4

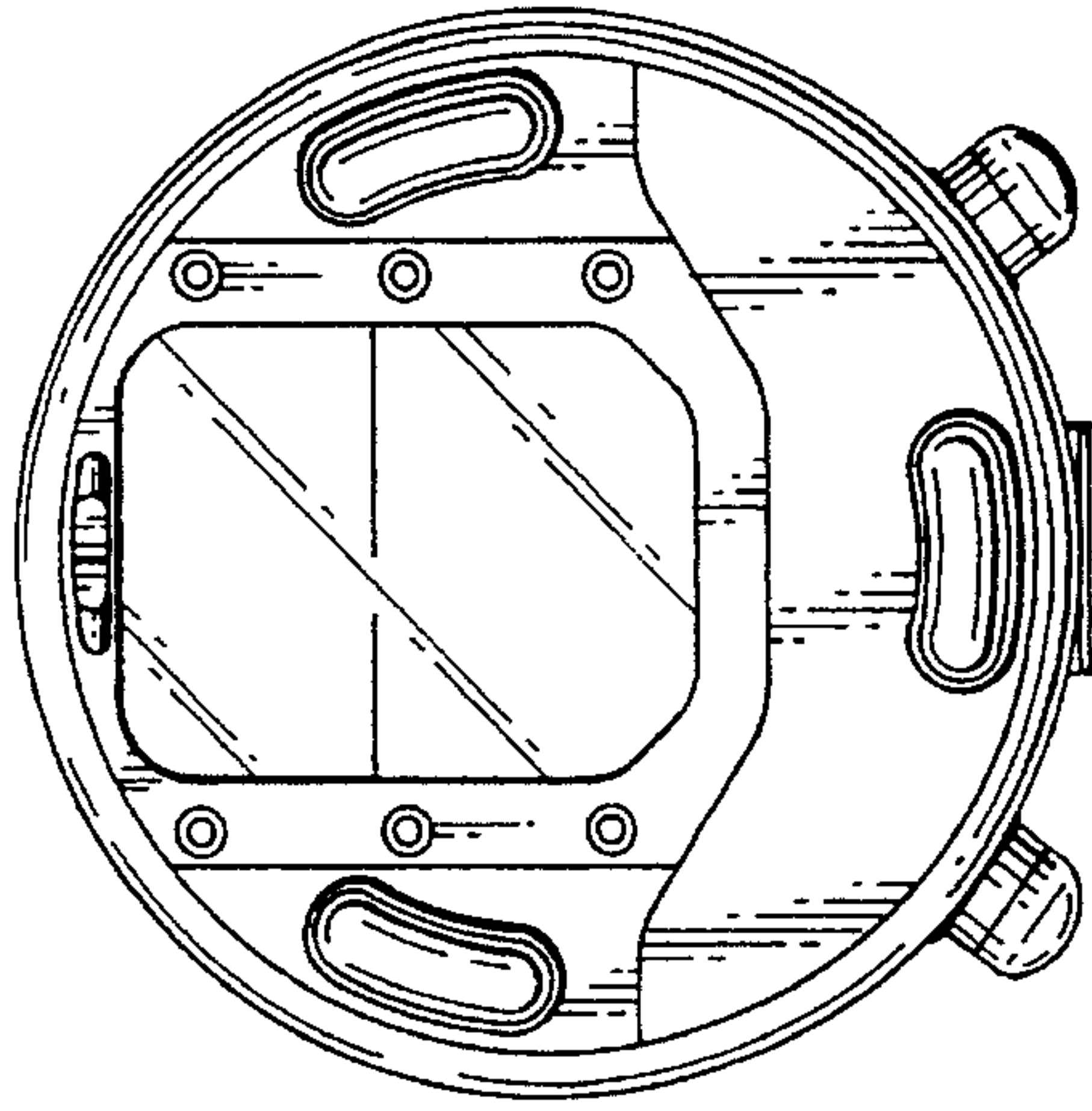


FIG. 3

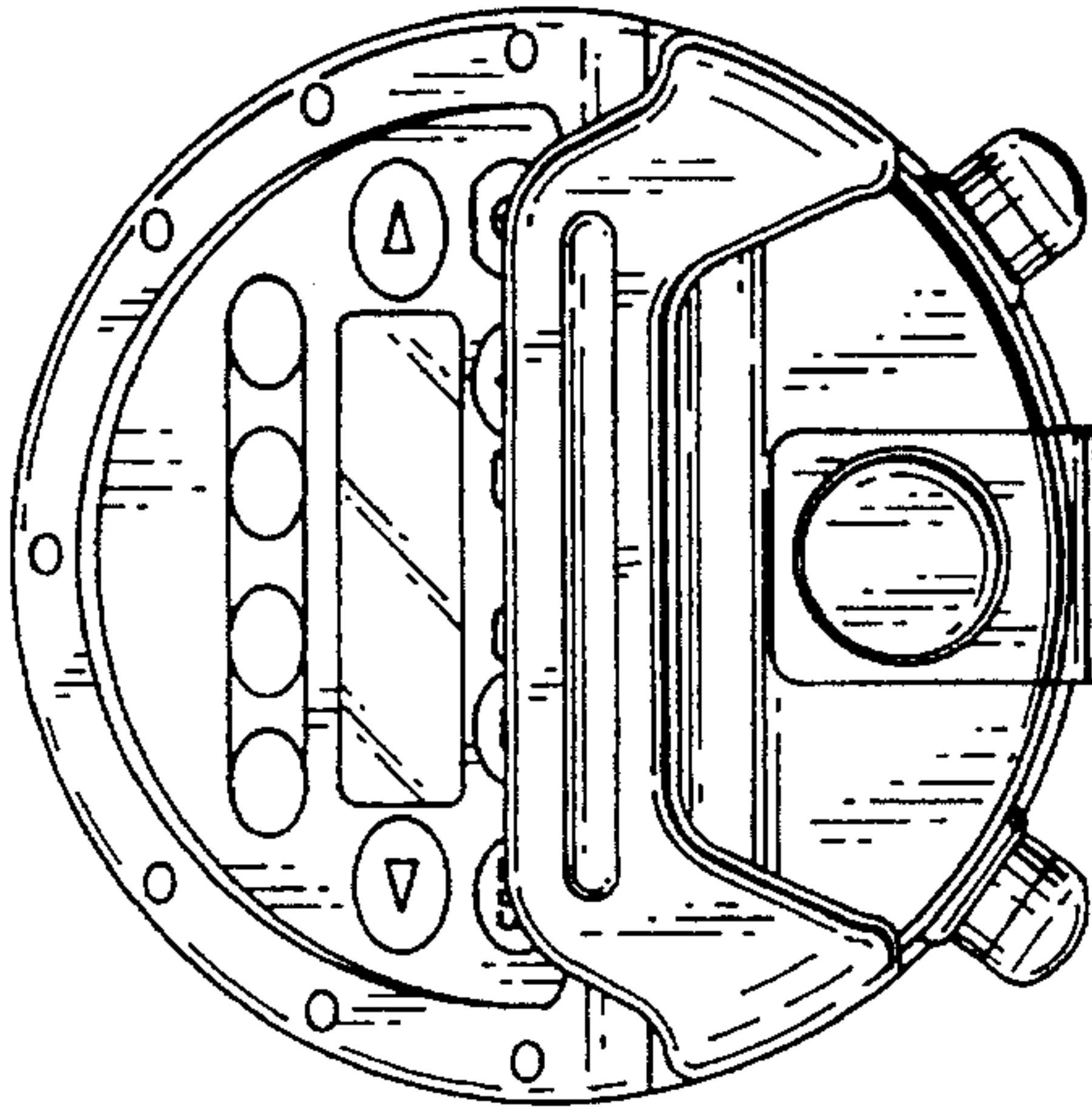


FIG. 5

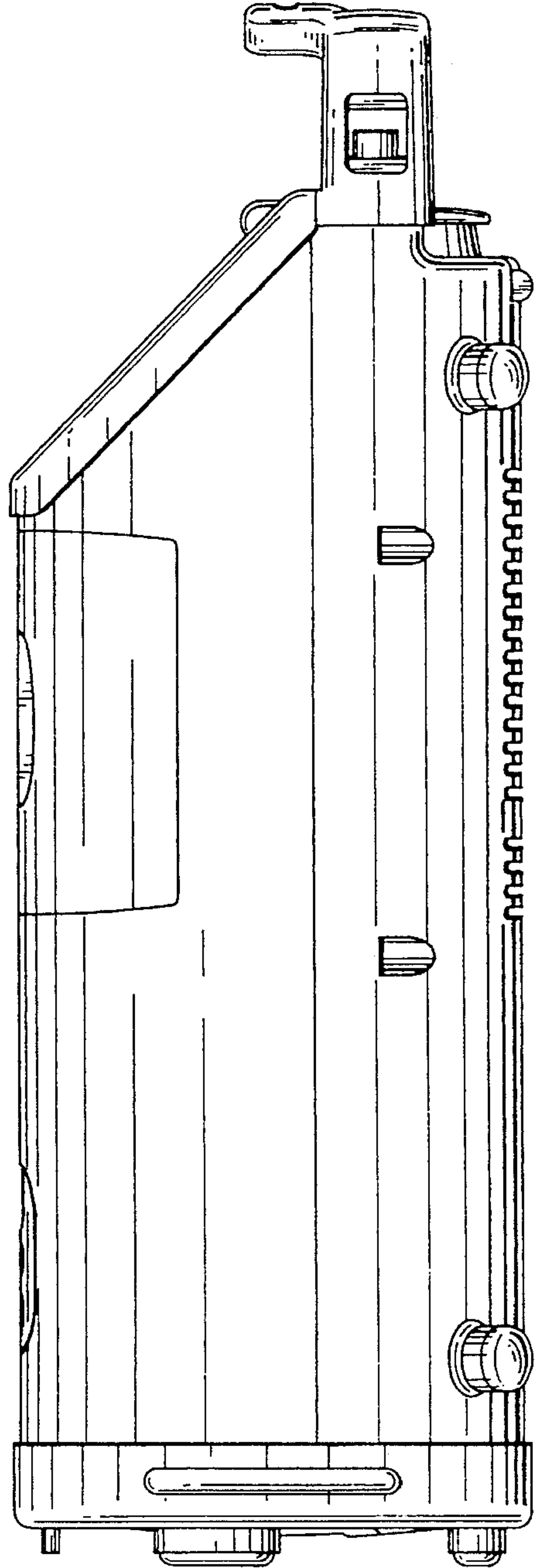


FIG. 6

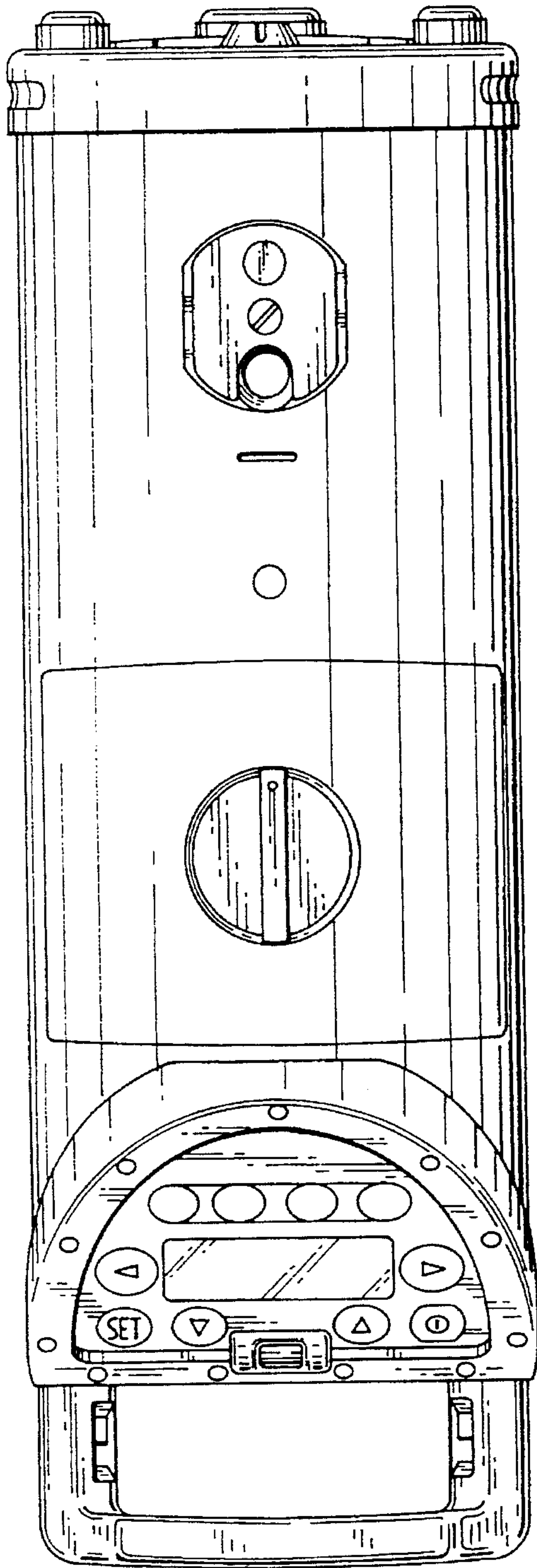


FIG. 7

