



US00D376108S

**United States Patent** [19]  
**Joergensen**

[11] **Patent Number:** **Des. 376,108**  
[45] **Date of Patent:** **\*\*Dec. 3, 1996**

[54] **KITCHEN TIMER**

[75] Inventor: **Carsten Joergensen**, Kriens,  
Switzerland

[73] Assignee: **Pi-Design AG**, Triengen, Switzerland

[\*\*] Term: **14 Years**

[21] Appl. No.: **31,582**

[22] Filed: **Nov. 28, 1994**

[52] **U.S. Cl.** ..... **D10/40**

[58] **Field of Search** ..... D10/1-40, 122-132;  
368/97-100, 107-121, 276-277, 285, 316,  
317

[56] **References Cited**

**U.S. PATENT DOCUMENTS**

D. 245,582	8/1977	Mox	.....	D10/40
D. 271,182	11/1983	Iorio	.....	D10/40
D. 276,219	11/1984	Mox	.....	D10/40
D. 276,416	11/1984	Mox	.....	D10/40
D. 282,446	2/1986	Gremonprez	.....	D10/40
3,827,232	8/1974	Bassett	.....	368/100

*Primary Examiner*—Nelson C. Holtje  
*Attorney, Agent, or Firm*—Gipple & Hale

[57] **CLAIM**

The ornamental design for a kitchen timer, substantially as shown and described.

**DESCRIPTION**

FIG. 1 is an oblique perspective view from the front and the left side and above the kitchen timer showing my new design;

FIG. 2 is a top view of the kitchen timer showing my new design;

FIG. 3 is a bottom view of the kitchen timer showing my design;

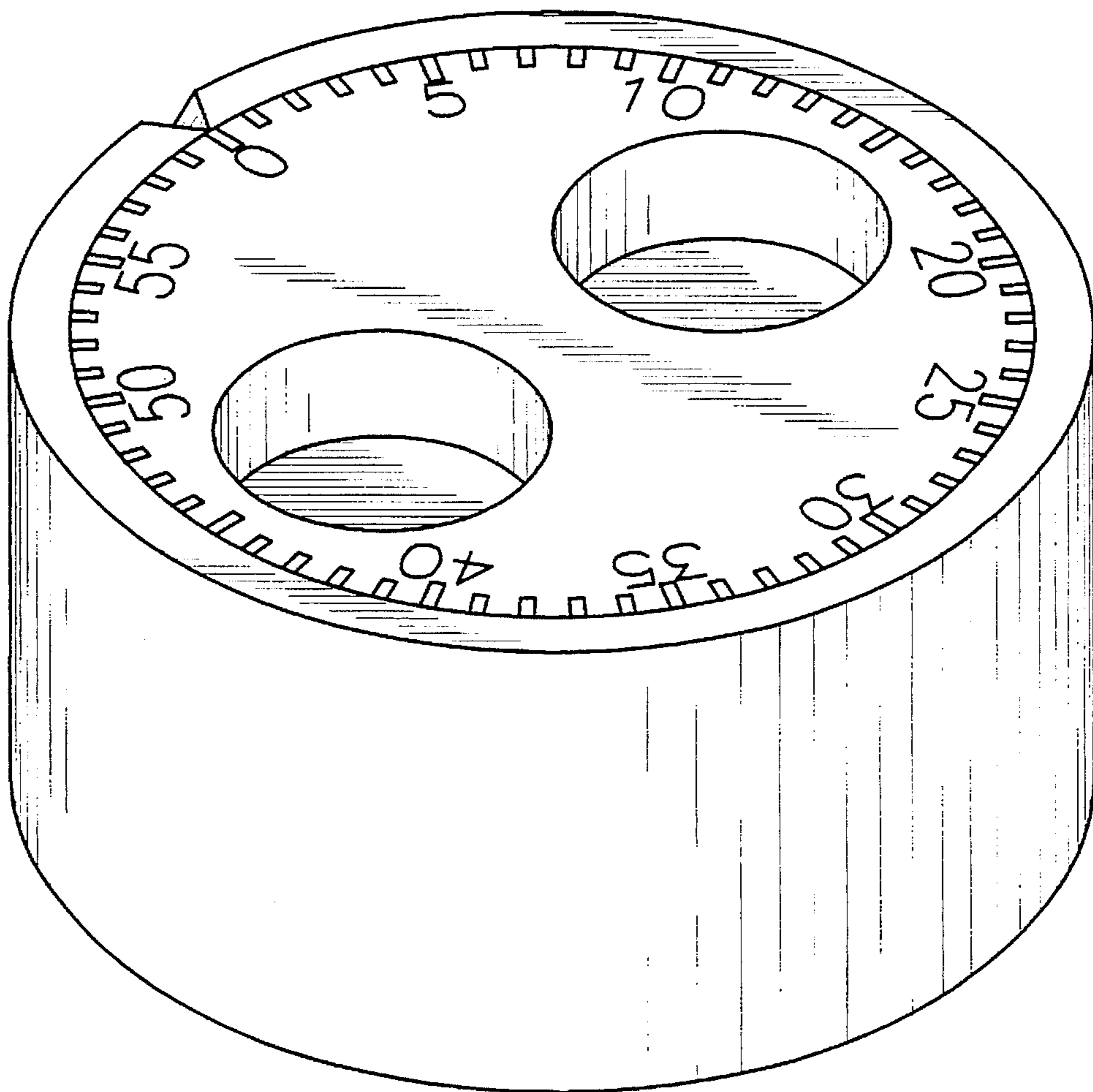
FIG. 4 is a front side view of the kitchen timer showing my new design;

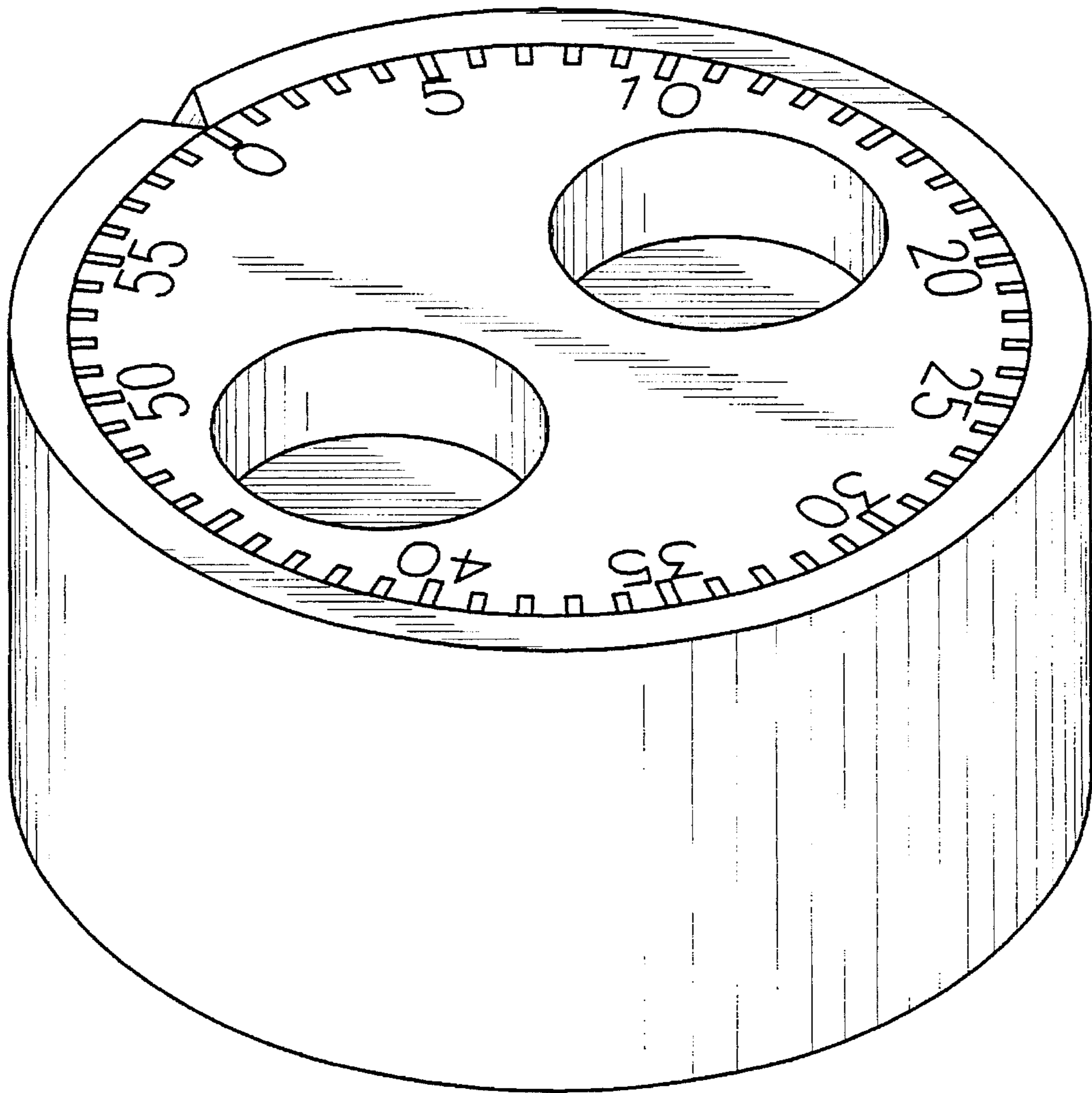
FIG. 5 is a left side view of the kitchen timer showing my new design;

FIG. 6 is a right side view of the kitchen timer showing my new design; and,

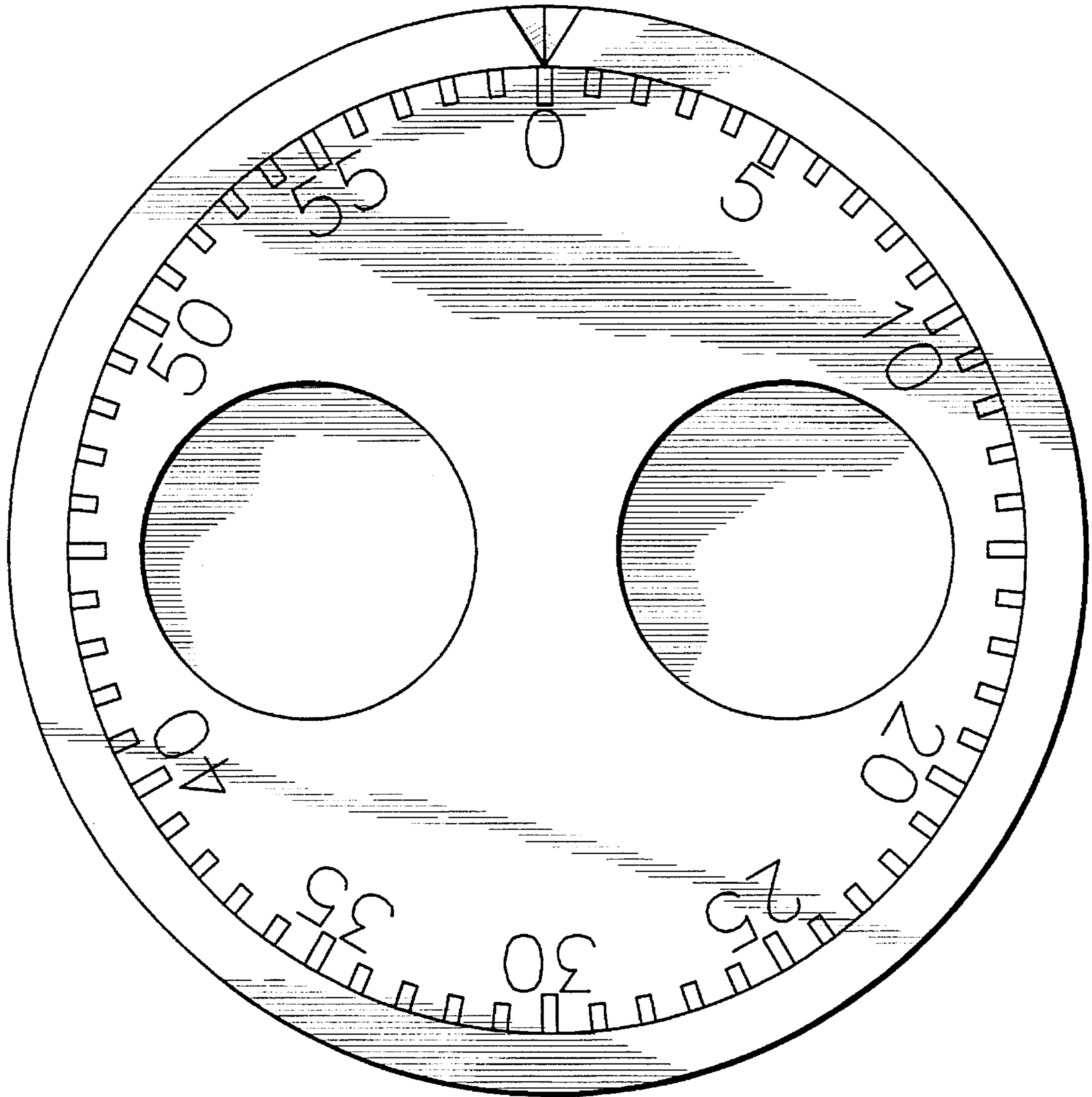
FIG. 7 is a back view of the kitchen timer showing my new design.

**1 Claim, 7 Drawing Sheets**

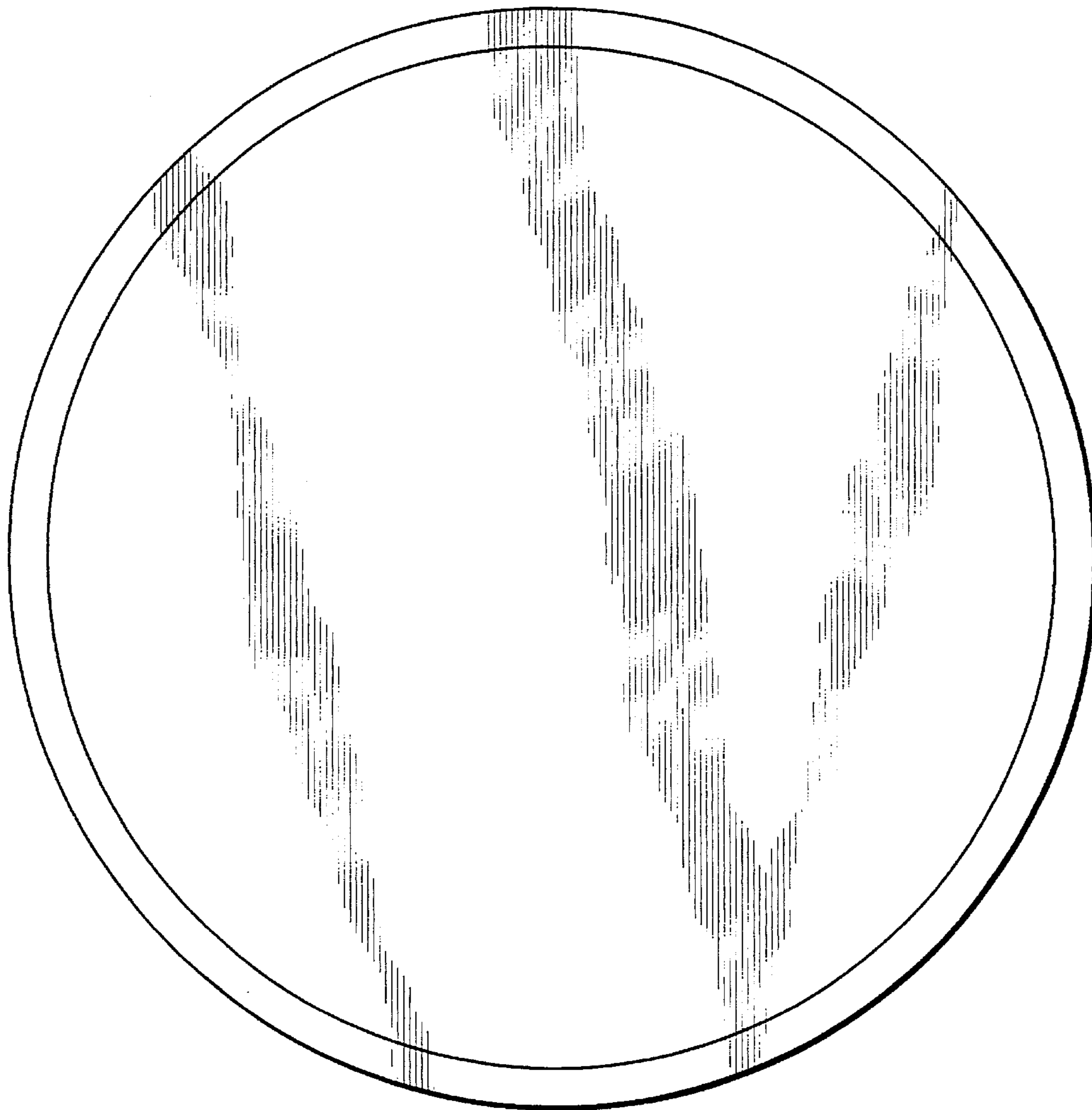




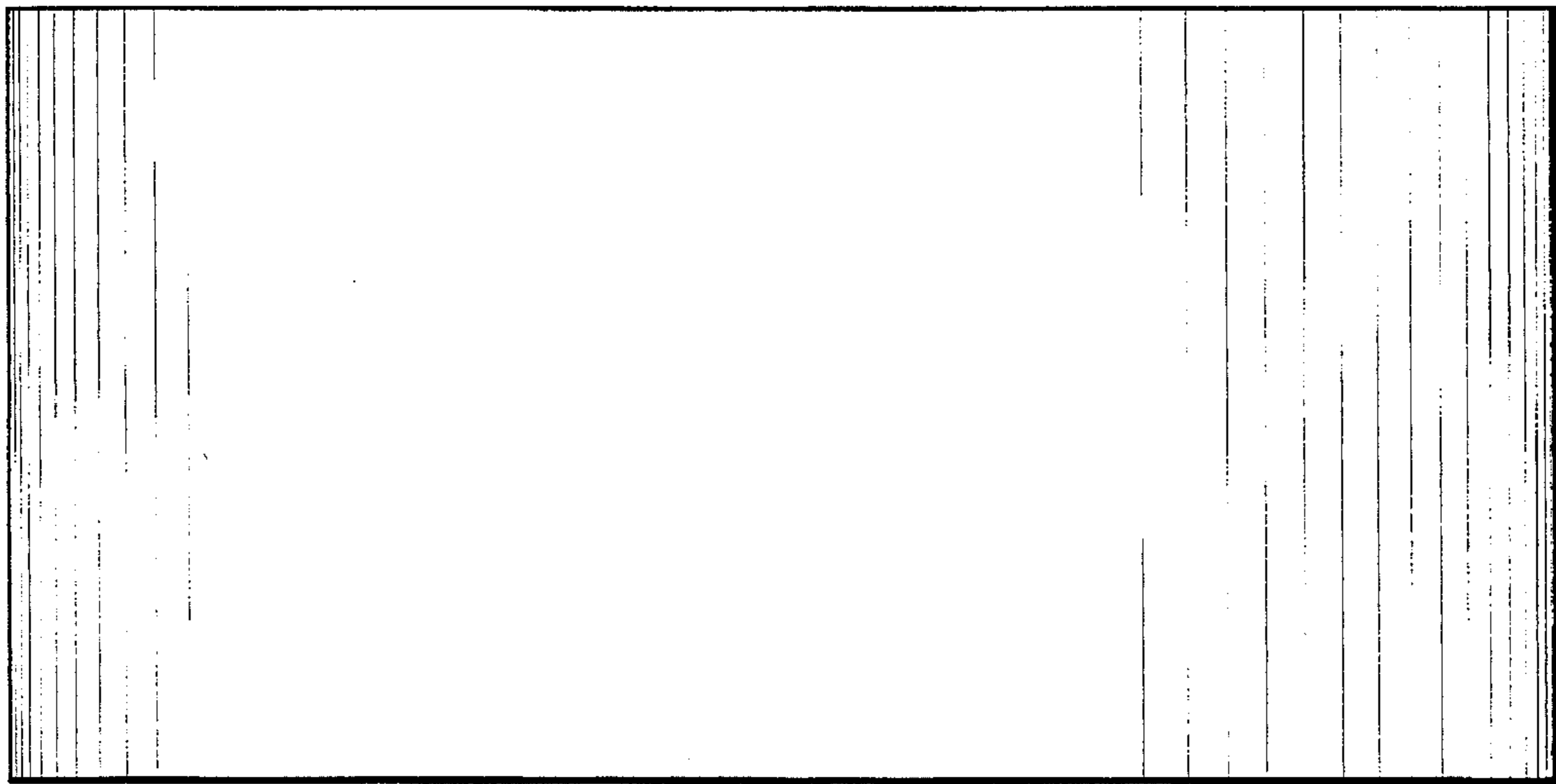
*Fig. 1*



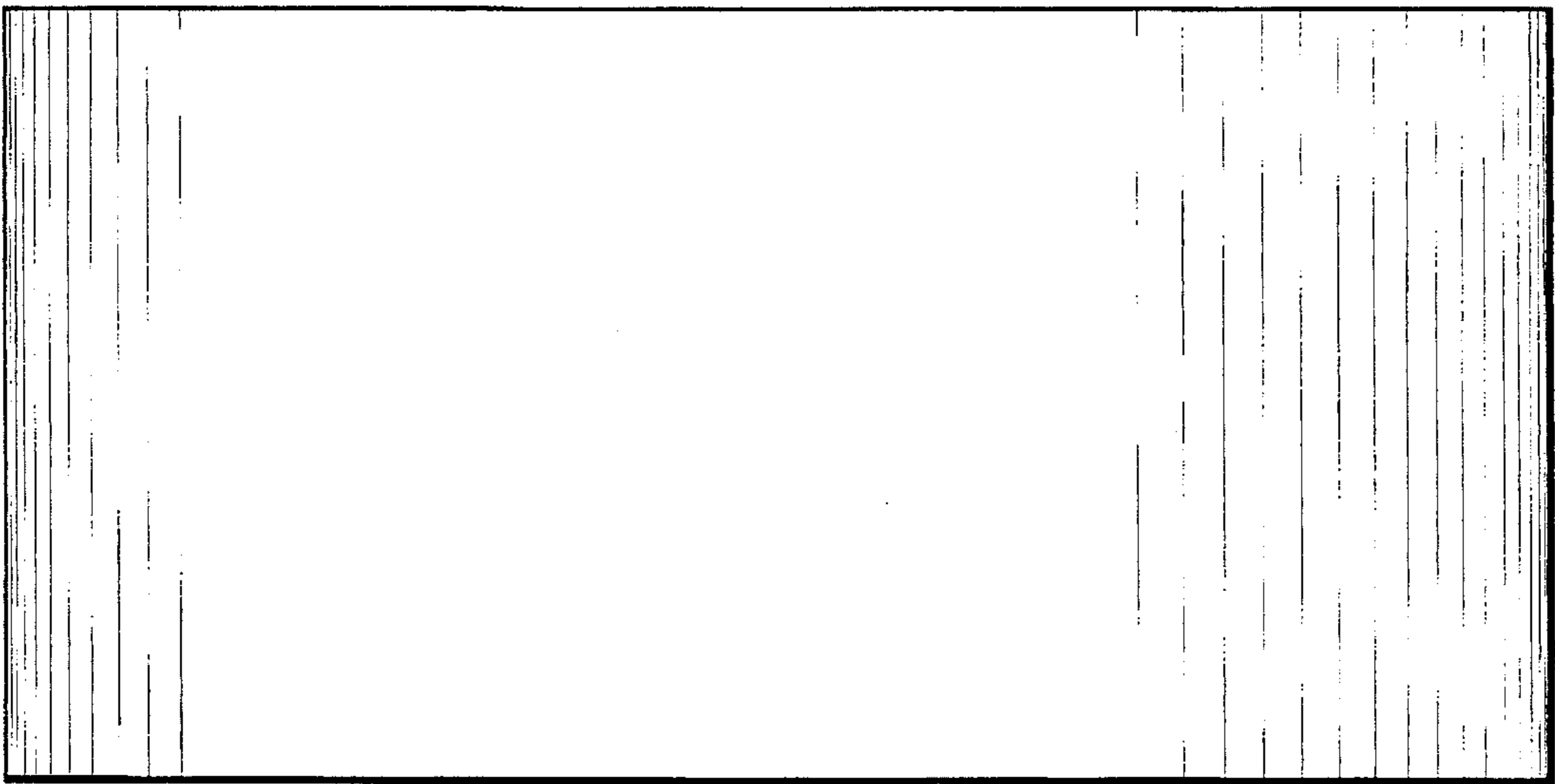
*Fig. 2*



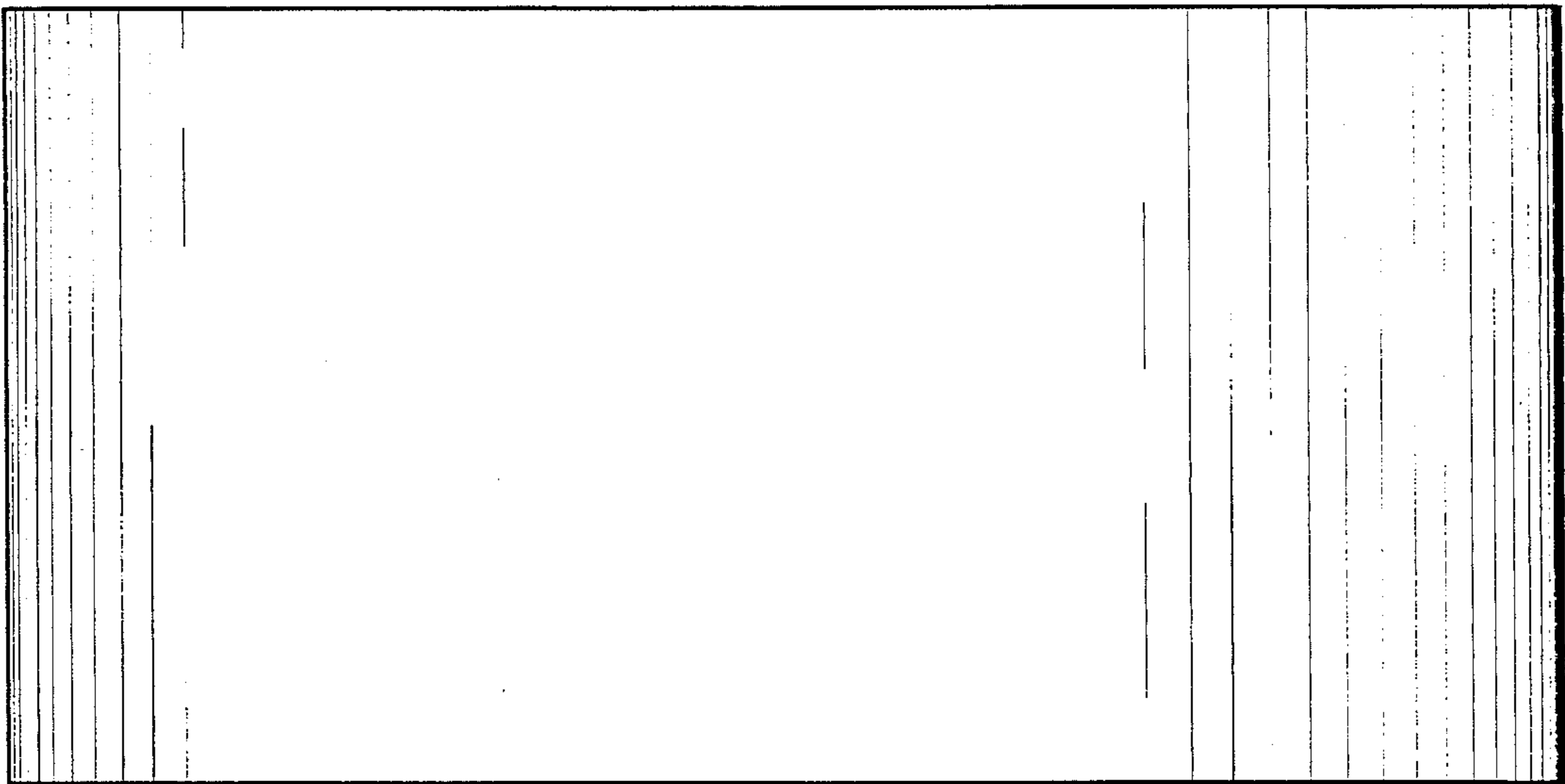
*Fig. 3*



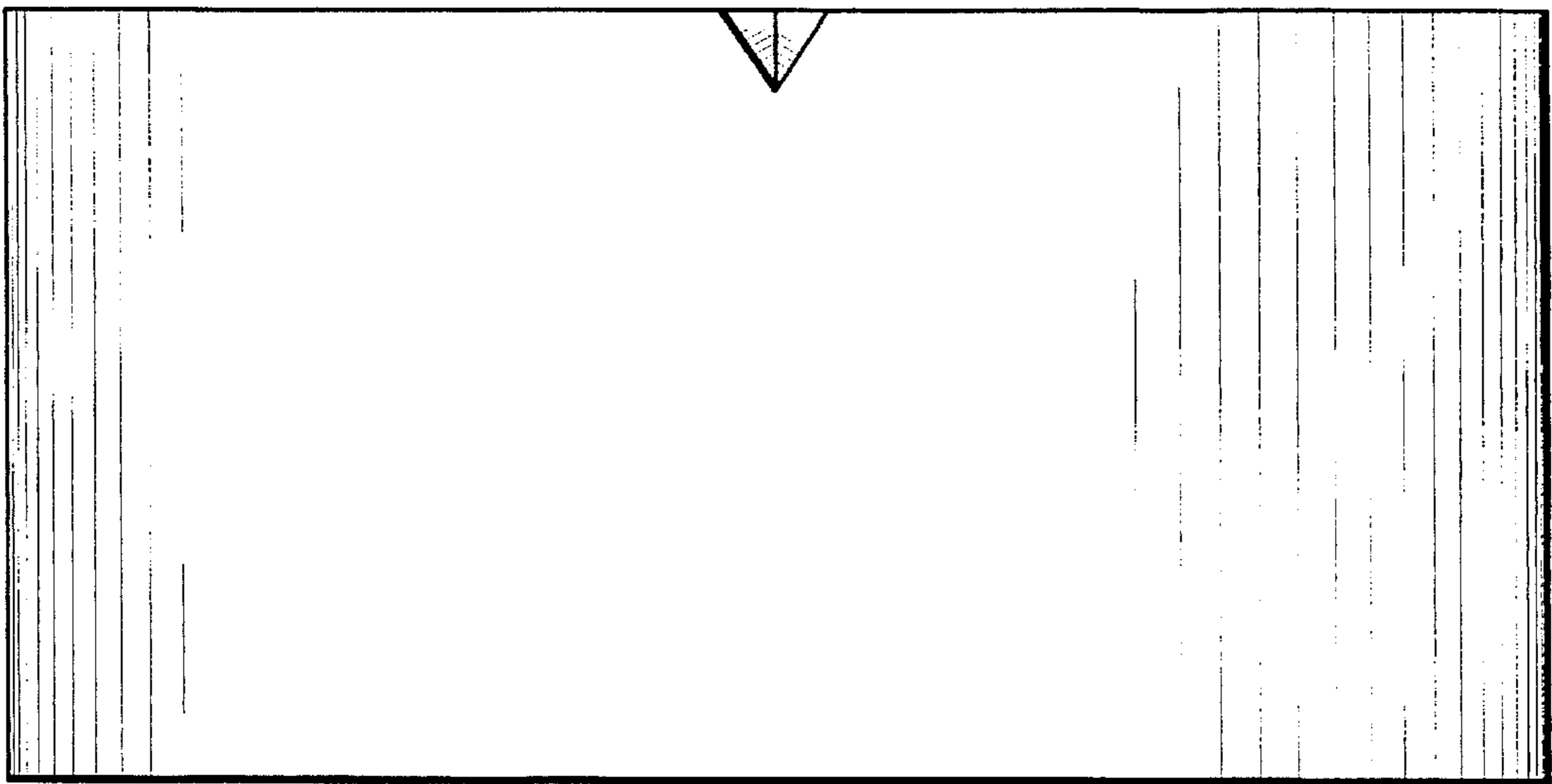
*Fig. 4*



*Fig. 5*



*Fig. 6*



*Fig. 7*