



US00D376106S

United States Patent [19]
Heckler

[11] **Patent Number: Des. 376,106**
[45] **Date of Patent: **Dec. 3, 1996**

[54] **BOTTLE**

[75] Inventor: **Terry S. Heckler**, Poulsbo, Wash.

[73] Assignee: **Starbucks Corporation**, Seattle, Wash.

[**] Term: **14 Years**

[21] Appl. No.: **35,395**

[22] Filed: **Feb. 27, 1995**

[52] **U.S. Cl.** **D9/538; D9/556**

[58] **Field of Search** **D9/505, 503, 500,**
D9/556, 537-541, 569; 215/382, 384

[56] **References Cited**

U.S. PATENT DOCUMENTS

D. 58,077	6/1921	Eckl	D9/556
D. 96,105	7/1935	Fuerst	D9/556
D. 120,422	5/1940	Kihn	D9/556 X
D. 125,755	3/1941	D'Addario	D9/556
D. 180,588	7/1957	DuPree	D9/540
D. 234,291	2/1975	Broadhead	D9/500
D. 290,686	7/1987	Board	D9/500
D. 357,864	5/1995	Rusnock et al.	D9/500

OTHER PUBLICATIONS

Liquor Store Magazine, Apr. 1975, p. 115, J & B Scotch bottle N 2875 LS.

Primary Examiner—Lucy Lieberman

Attorney, Agent, or Firm—Christensen O'Conner Johnson & Kindness PLLC

[57] **CLAIM**

The ornamental design for a bottle, as shown and described.

DESCRIPTION

FIG. 1 is a perspective view of a bottle showing my new design;

FIG. 2 is a front elevational view thereof, the rear and side elevations are the same except for the conventional screw threading on the bottle neck;

FIG. 3 is a top view of the bottle;

FIG. 4 is a bottom view of the bottle;

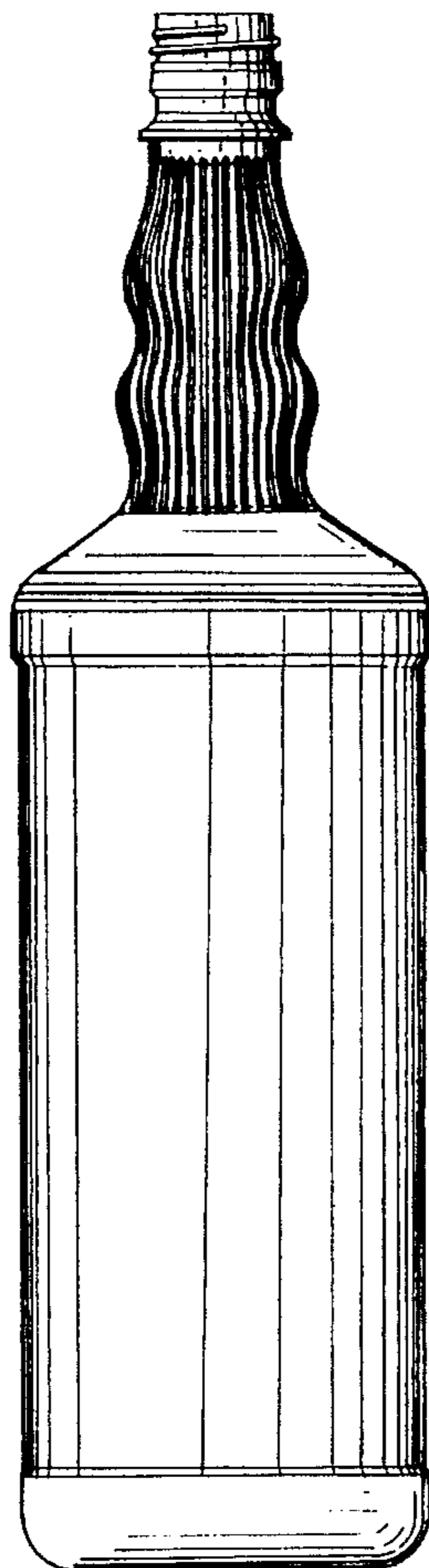
FIG. 5 is a perspective view of a transparent embodiment of the bottle;

FIG. 6 is a front elevational view of the embodiment of FIG. 5, the rear and side elevations are the same except for the conventional screw threading on the neck;

FIG. 7 is a top view of the embodiment of the bottle shown in FIG. 5; and,

FIG. 8 is a bottom view of the embodiment of FIG. 5.

1 Claim, 4 Drawing Sheets



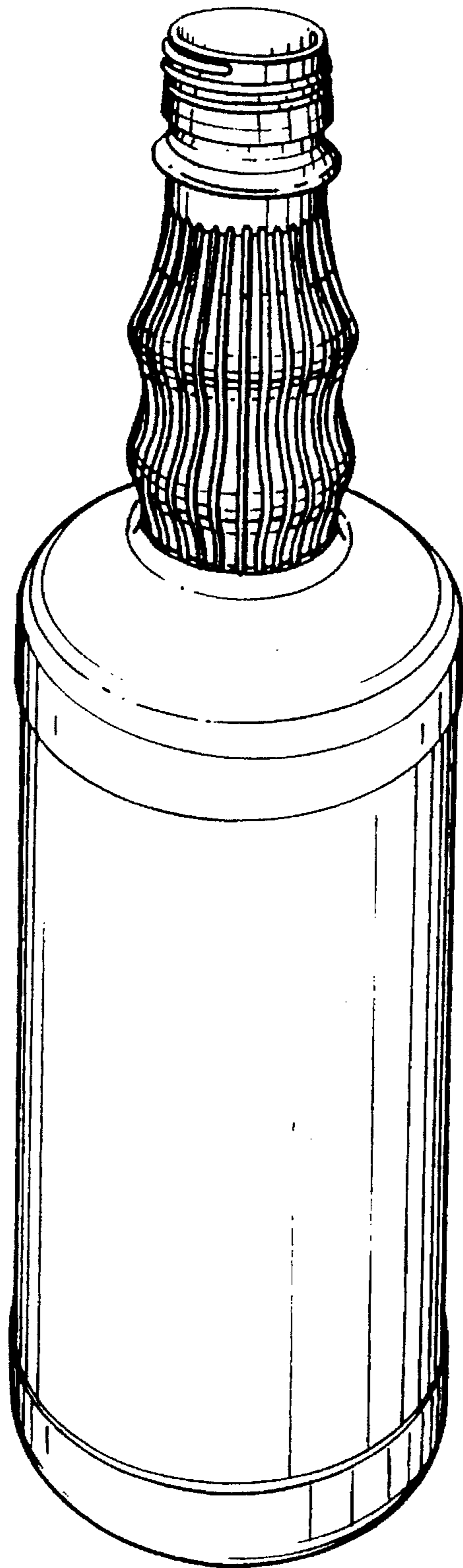


Fig. 1.

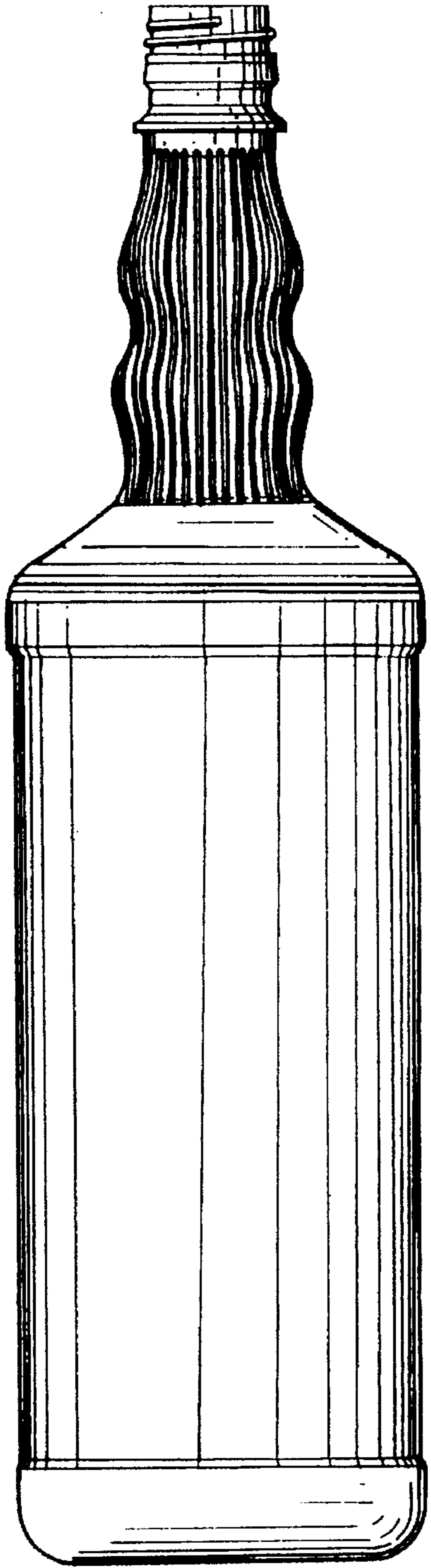


Fig. 2.

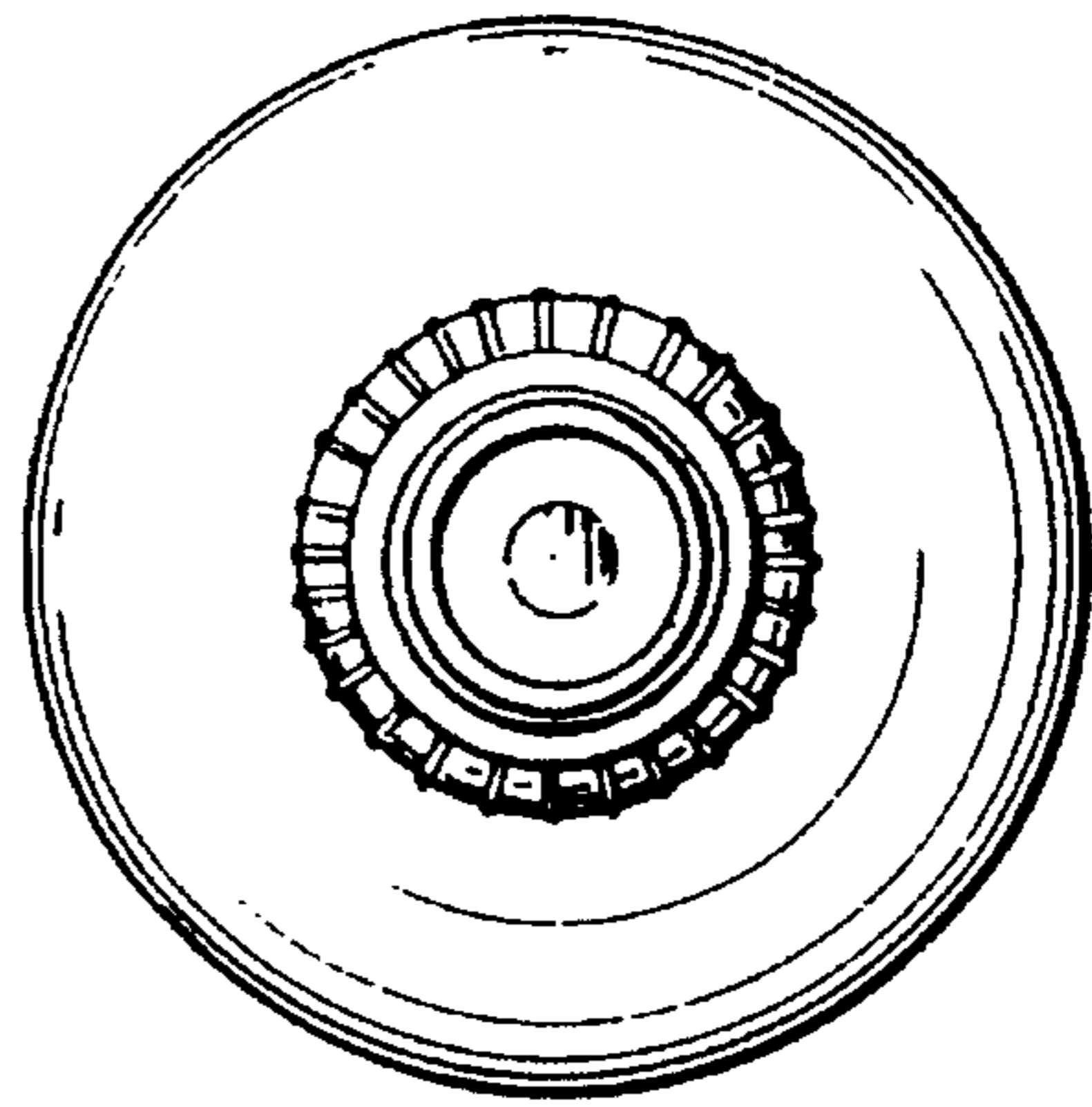


Fig. 3.

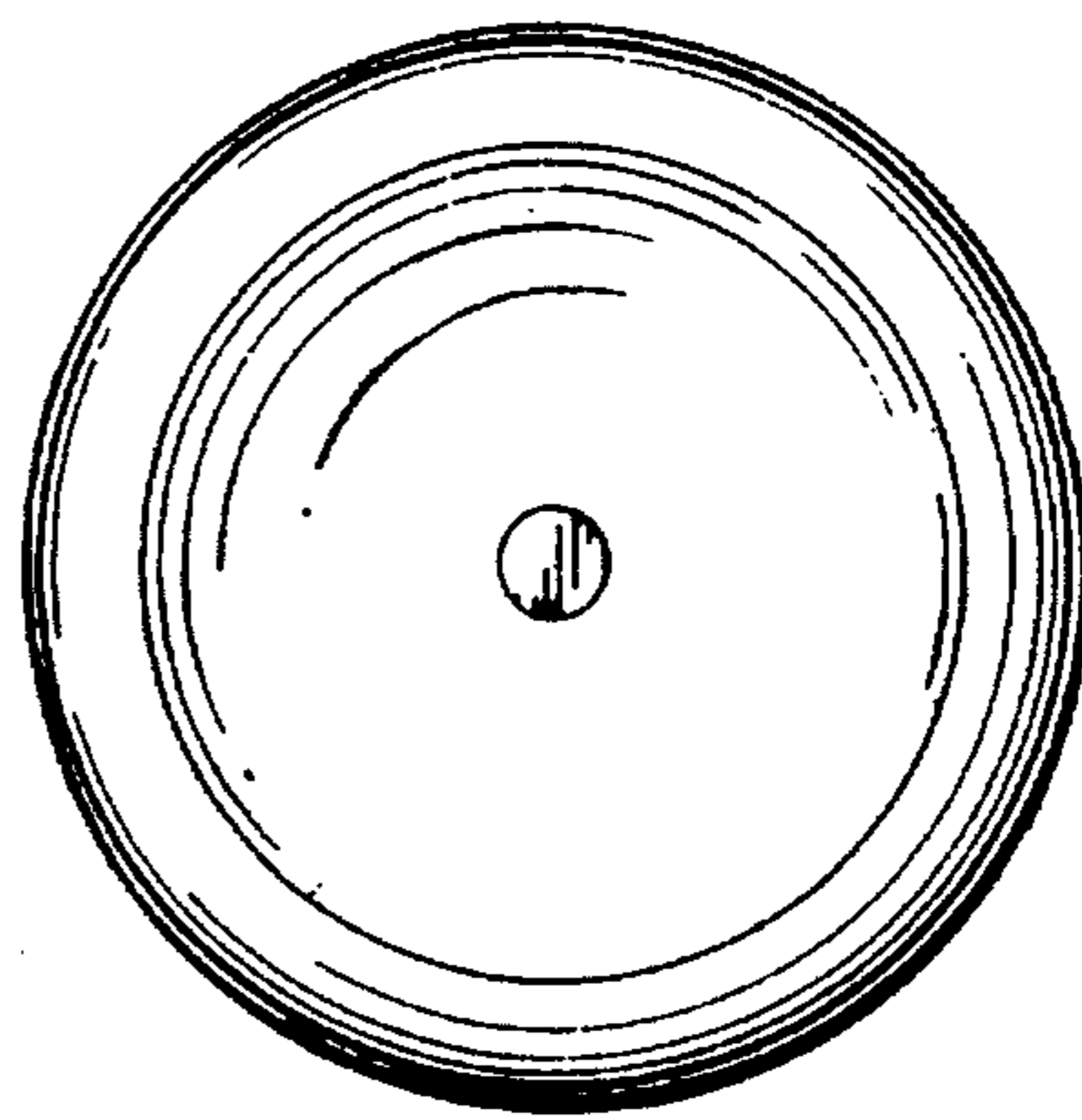


Fig. 4.

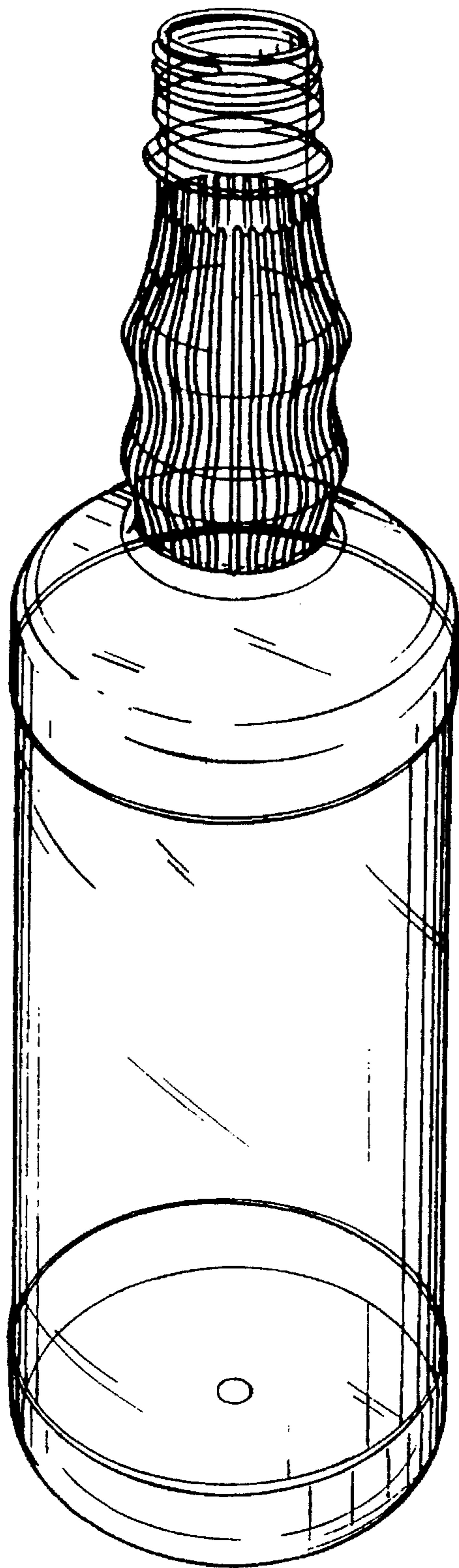


Fig. 5.

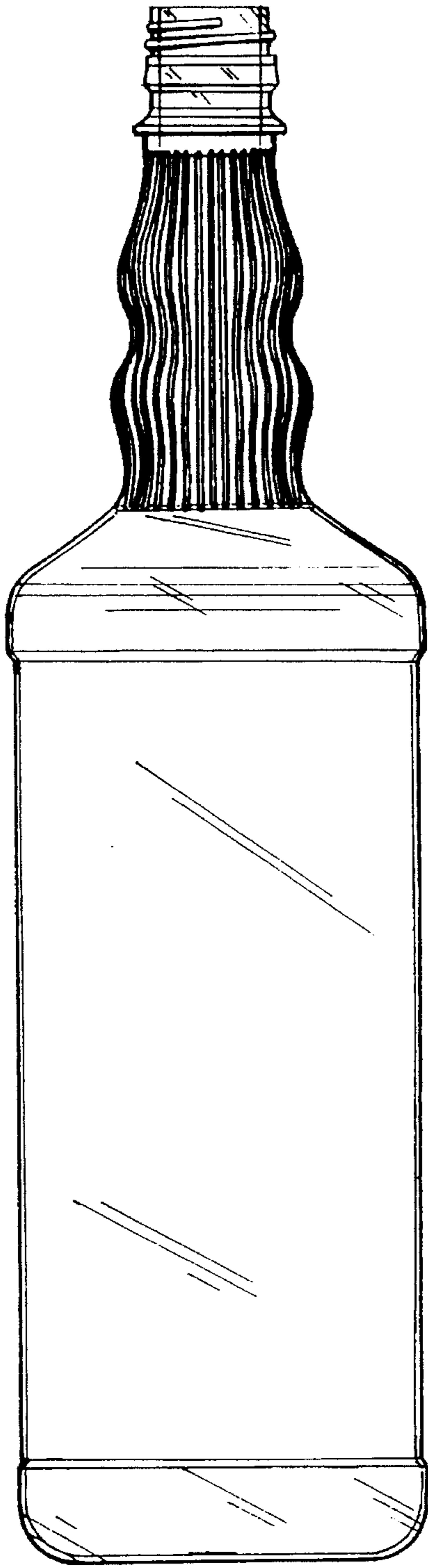


Fig. 6

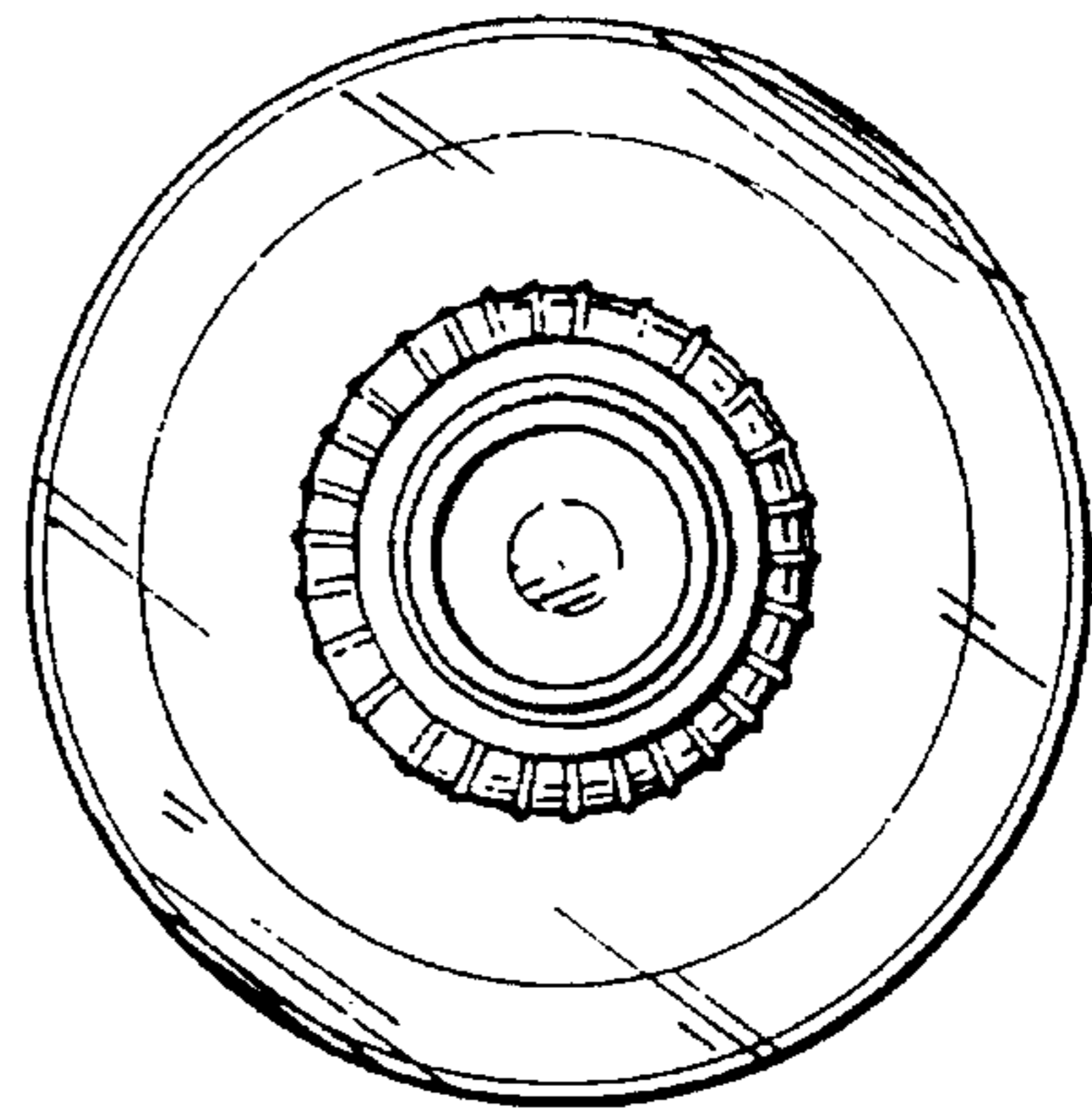


Fig. 7.

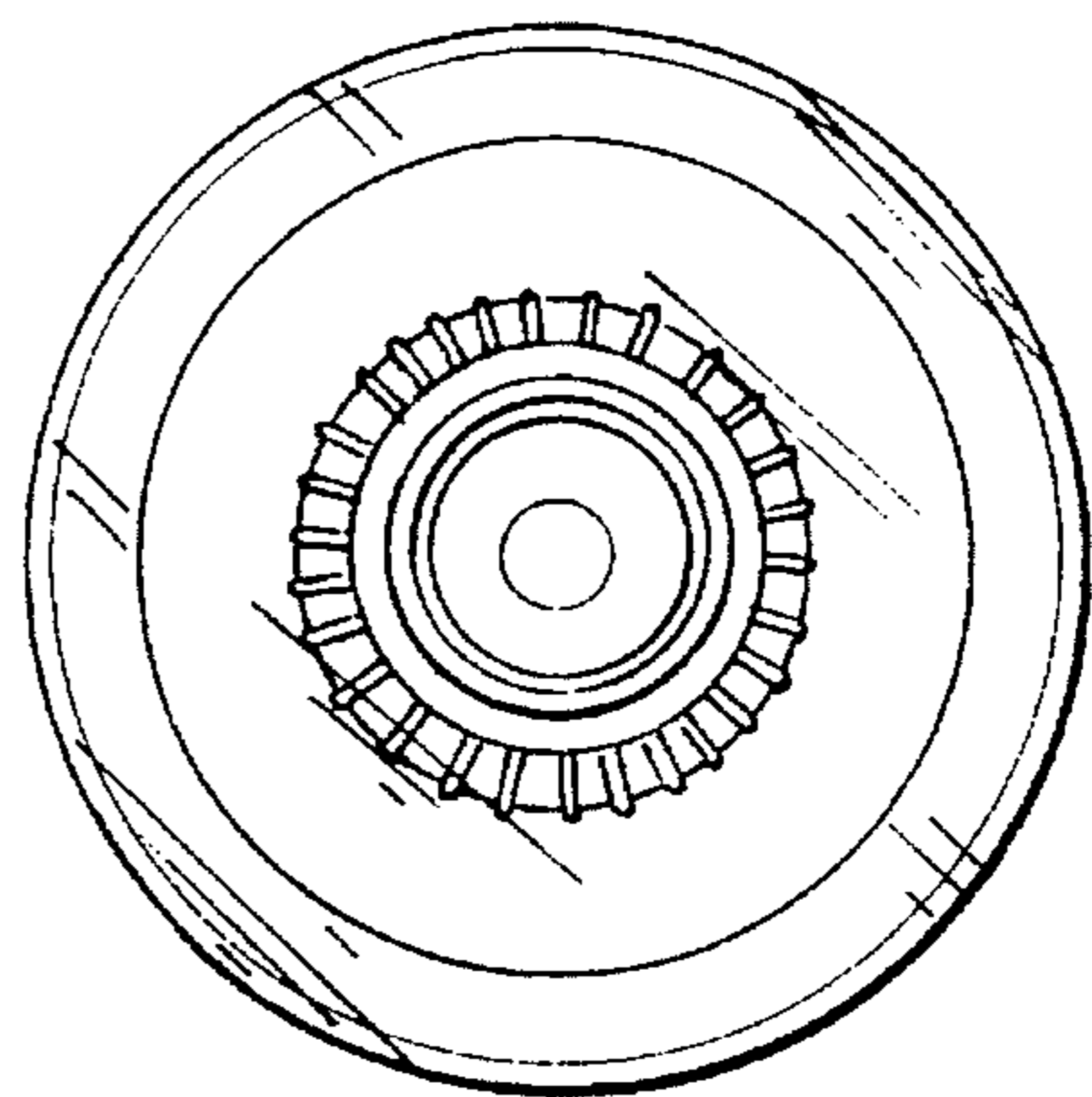


Fig. 8.