



US00D376103S

United States Patent [19] Knickerbocker

[11] Patent Number: **Des. 376,103**

[45] Date of Patent: ****Dec. 3, 1996**

[54] **SPRAY PUMP**

[75] Inventor: **Michael G. Knickerbocker**, Crystal Lake, Ill.

[73] Assignee: **APAR Group**, Cary, Ill.

[**] Term: **14 Years**

[21] Appl. No.: **19,902**

[22] Filed: **Mar. 14, 1994**

[52] U.S. Cl. **D9/448**

[58] Field of Search D9/434-6, 440,
D9/443-8, 449, 454, 338; 220/337-8, 375,
915; 222/631; 239/548, 550

[56] **References Cited**

U.S. PATENT DOCUMENTS

| | | | | |
|------------|---------|--------------|-------|--------|
| D. 205,738 | 9/1966 | Pizzurro | | D9/448 |
| D. 286,027 | 10/1986 | Waher et al. | | D9/445 |
| D. 305,872 | 2/1990 | Garcia | | D9/448 |
| D. 310,723 | 9/1990 | Su | | D9/448 |

OTHER PUBLICATIONS

Calmar Mark V aerosol spray nozzle, Calmar advertisement, *Spray Technology and Marketing Magazine*, May 1993, p. 19.

Spray nozzles, Coster Tecnologie Speciali s.p.a. advertisement, *Spray Technology and Marketing Magazine*, Mar. 1993, p. 7.

Primary Examiner—Nelson C. Holtje

Assistant Examiner—R. Spear

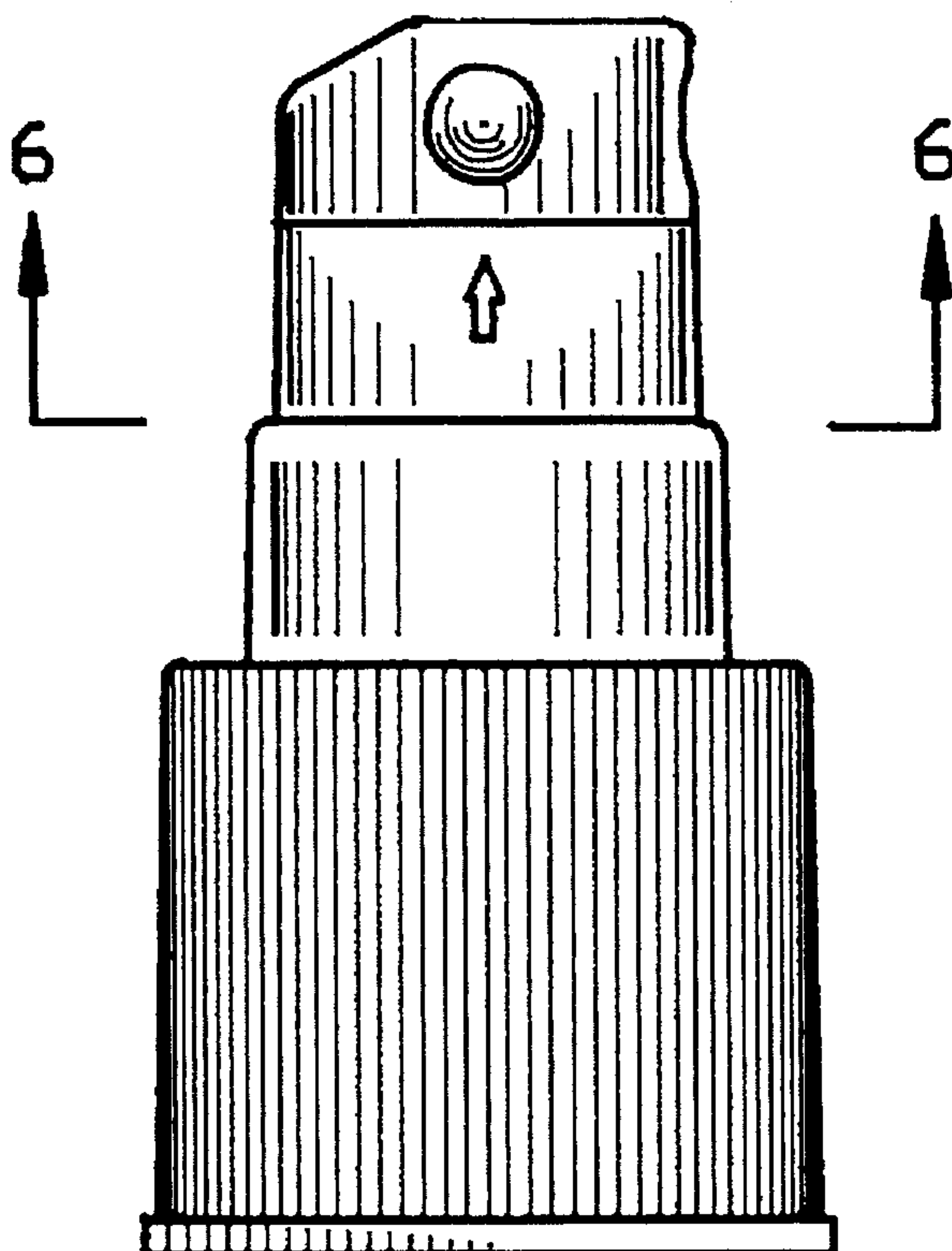
[57] **CLAIM**

The ornamental design for a spray pump, as shown and described.

DESCRIPTION

FIG. 1 is a front view of my new design for a spray pump with the top portion being shown in a first position; FIG. 2 is a rear view thereof; FIG. 3 is a left side view thereof; FIG. 4 is a right side view thereof; FIG. 5 is a top view thereof; FIG. 6 is a sectional view along line 6—6 in FIG. 1; FIG. 7 is a front view of my new design for the spray pump with the top portion being shown in a second position; FIG. 8 is a rear view thereof; FIG. 9 is a left side view thereof; FIG. 10 is a right side view thereof; FIG. 11 is a top view thereof; and, FIG. 12 is a bottom view thereof.

1 Claim, 3 Drawing Sheets



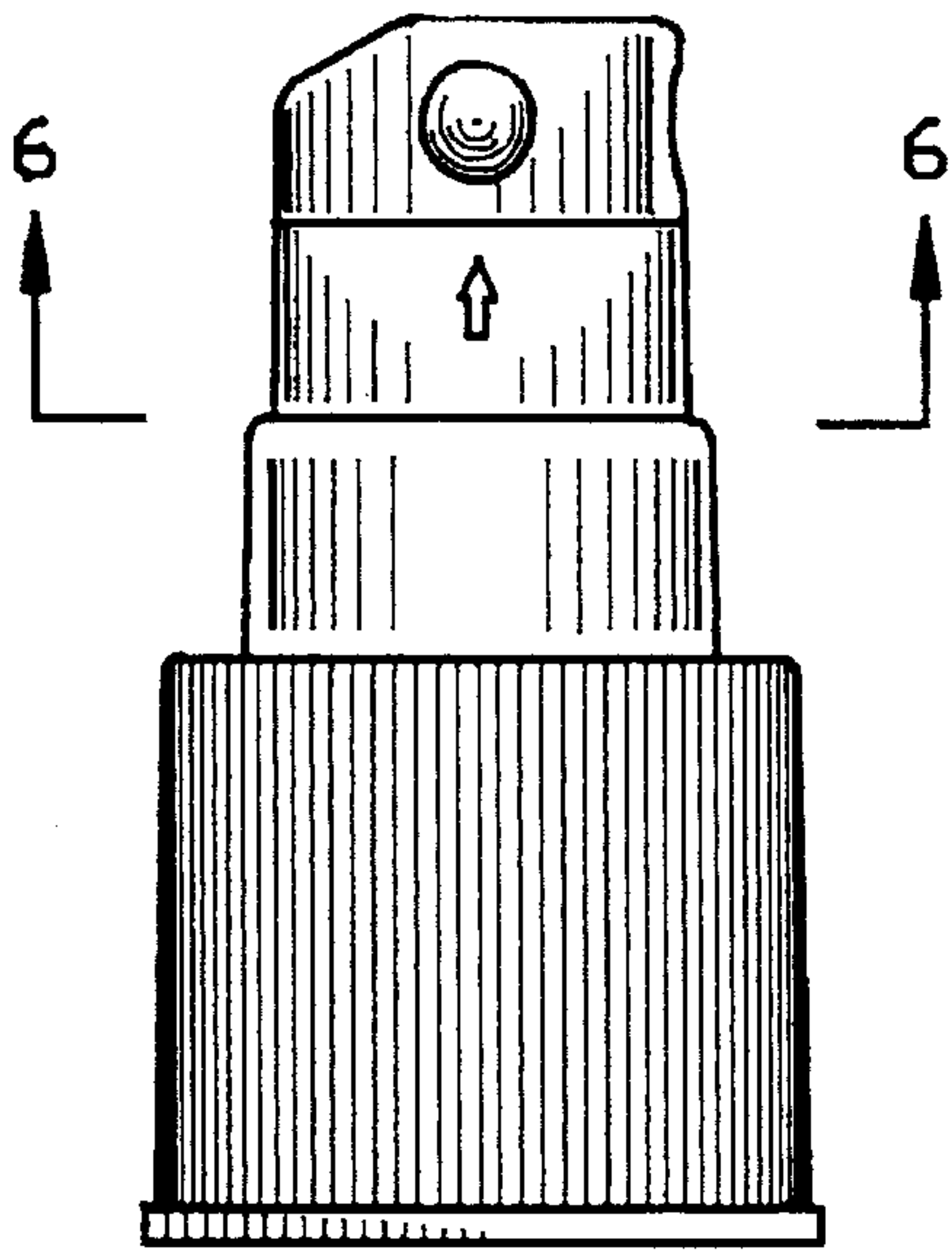


FIG. 1

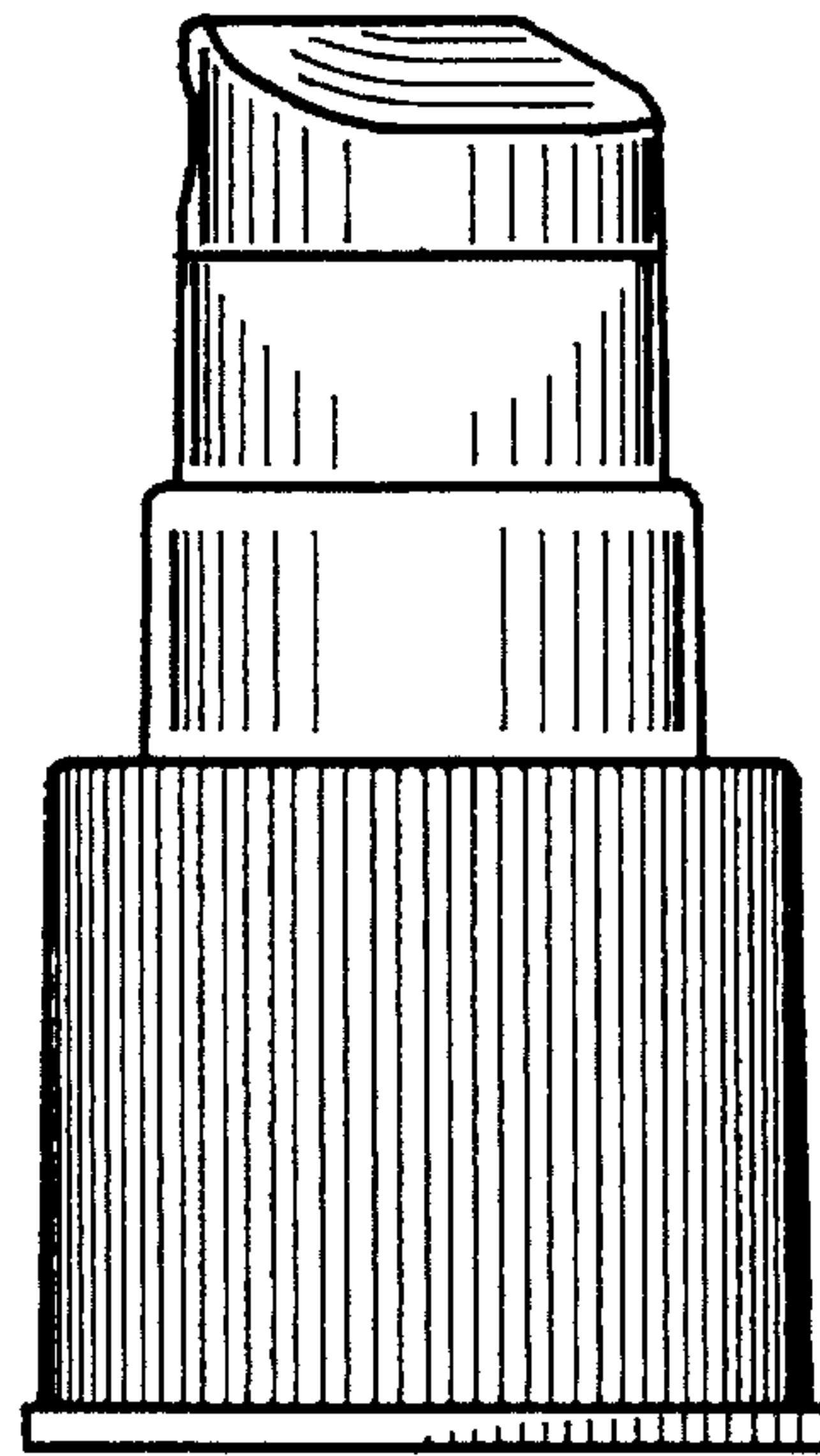


FIG. 2

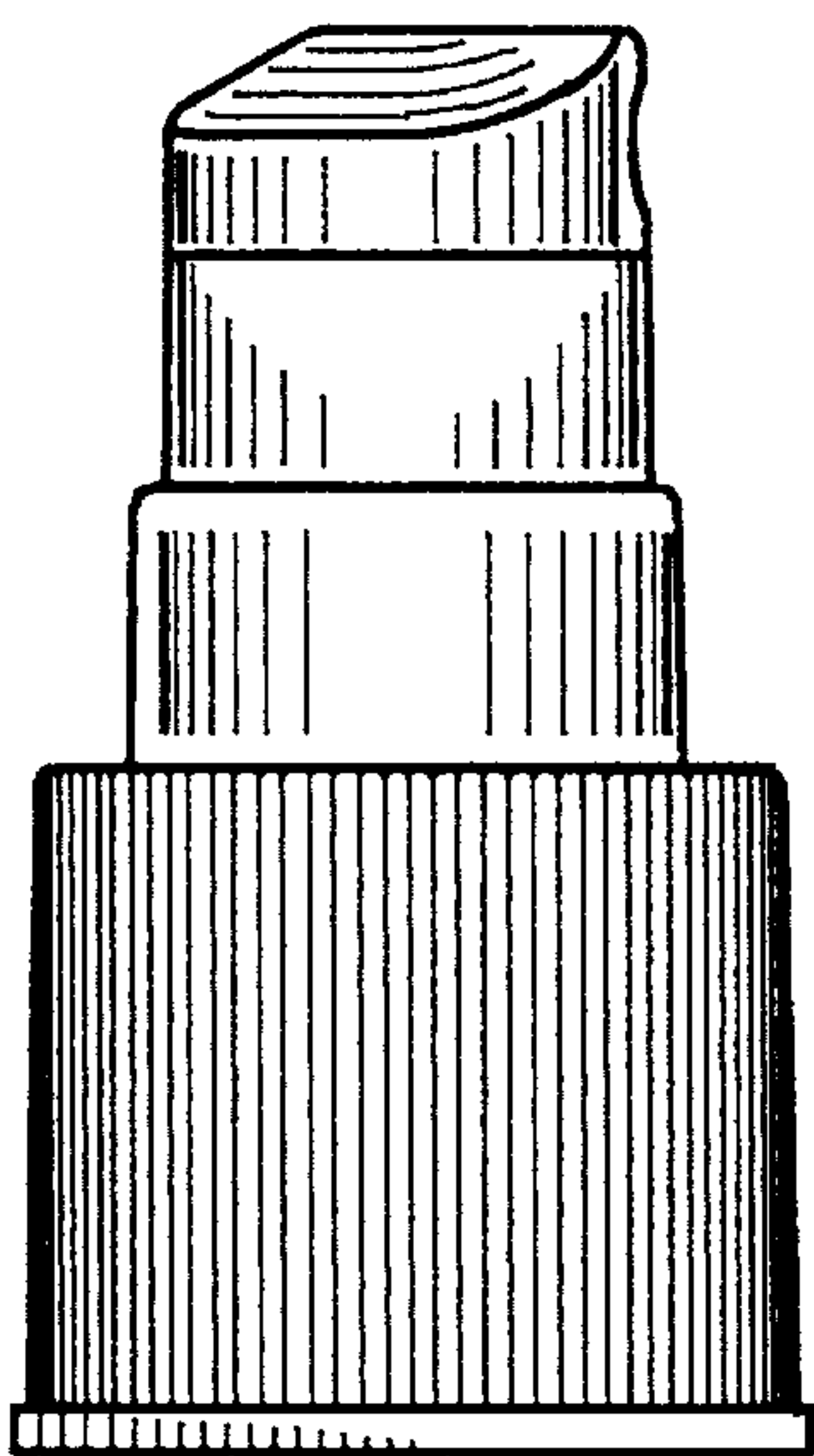


FIG. 3

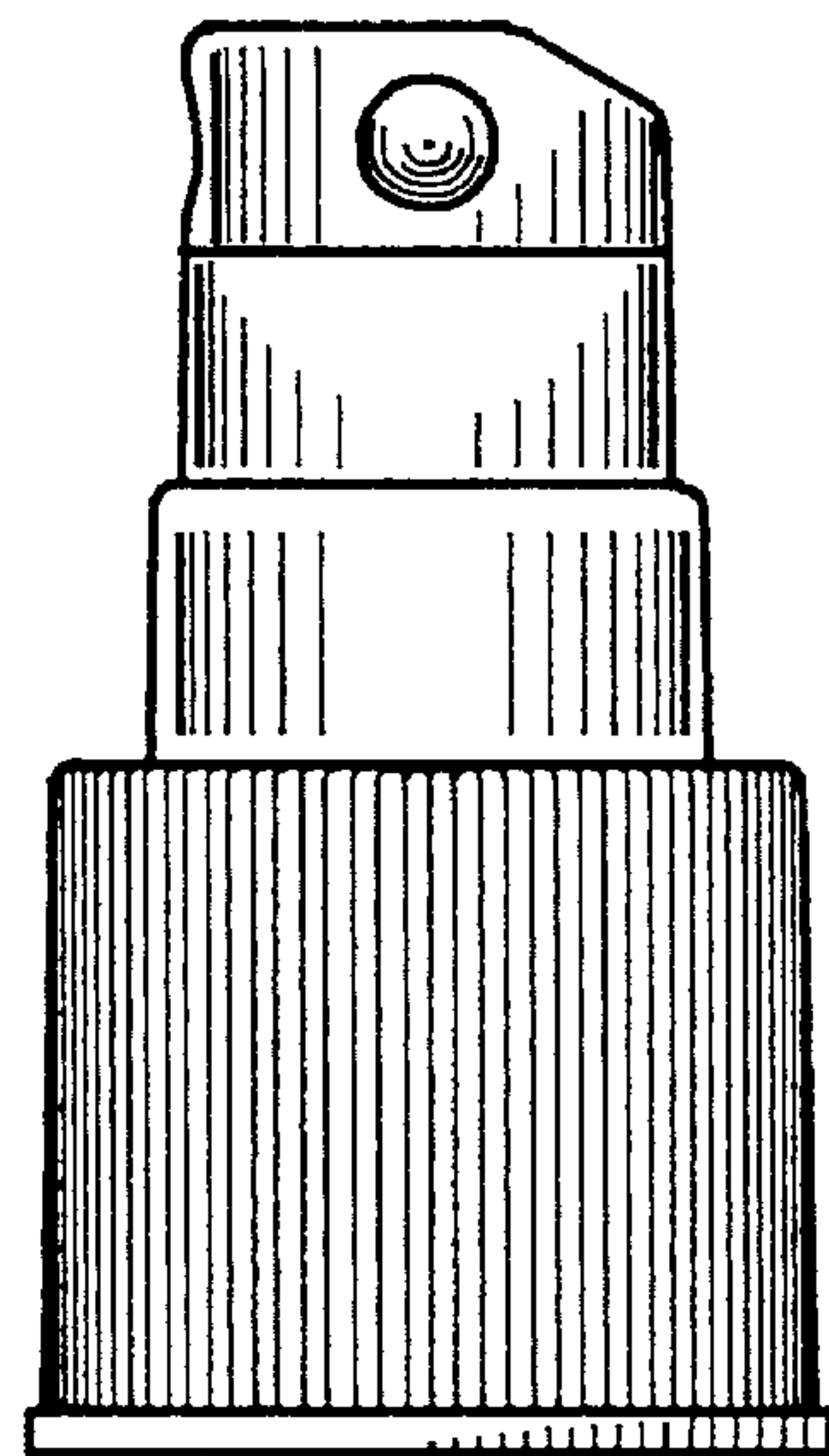


FIG. 4

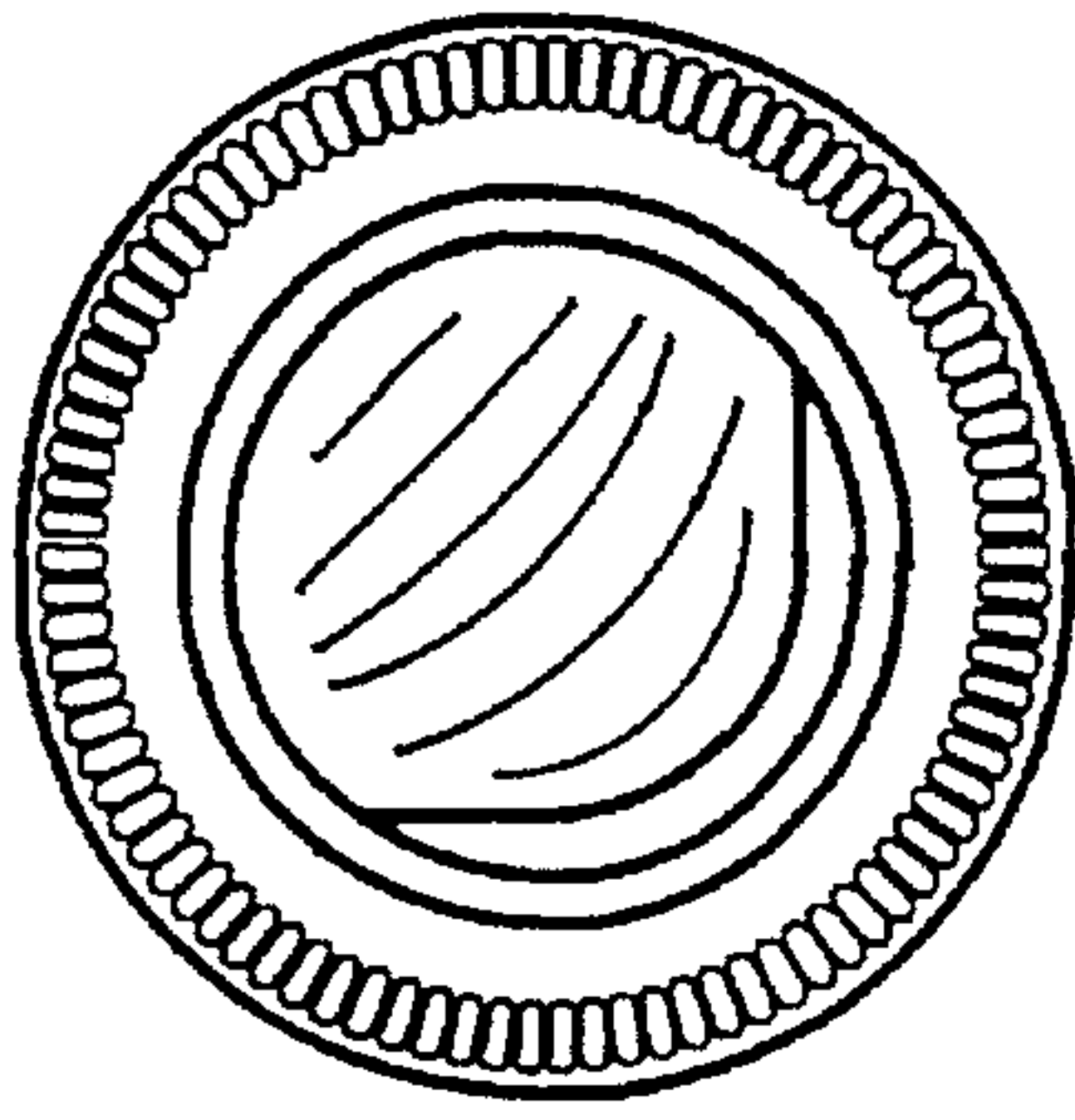


FIG. 5

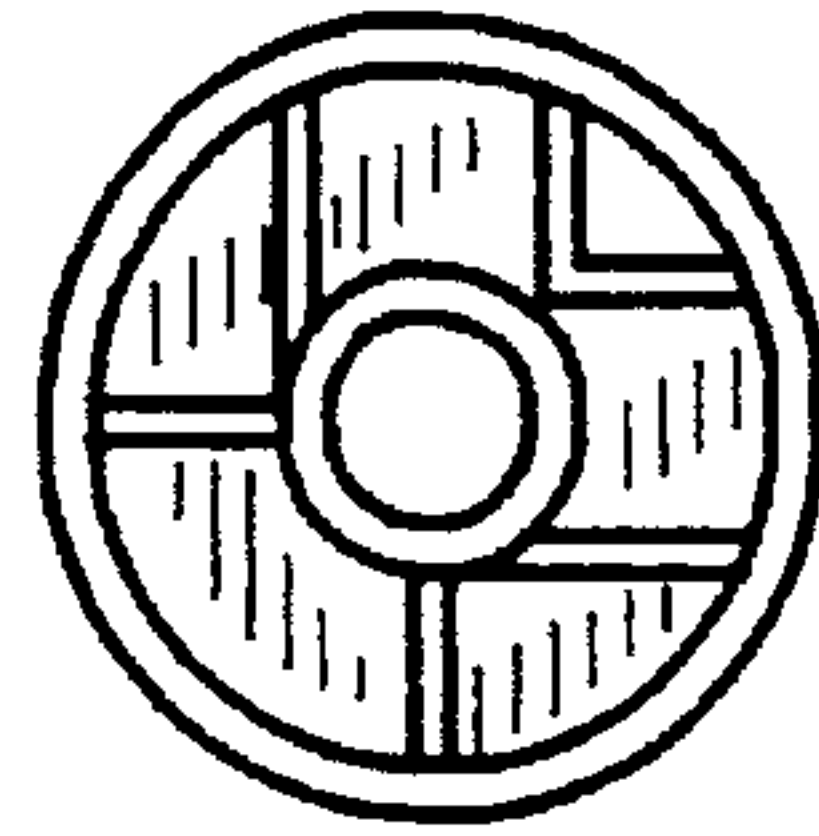


FIG. 6

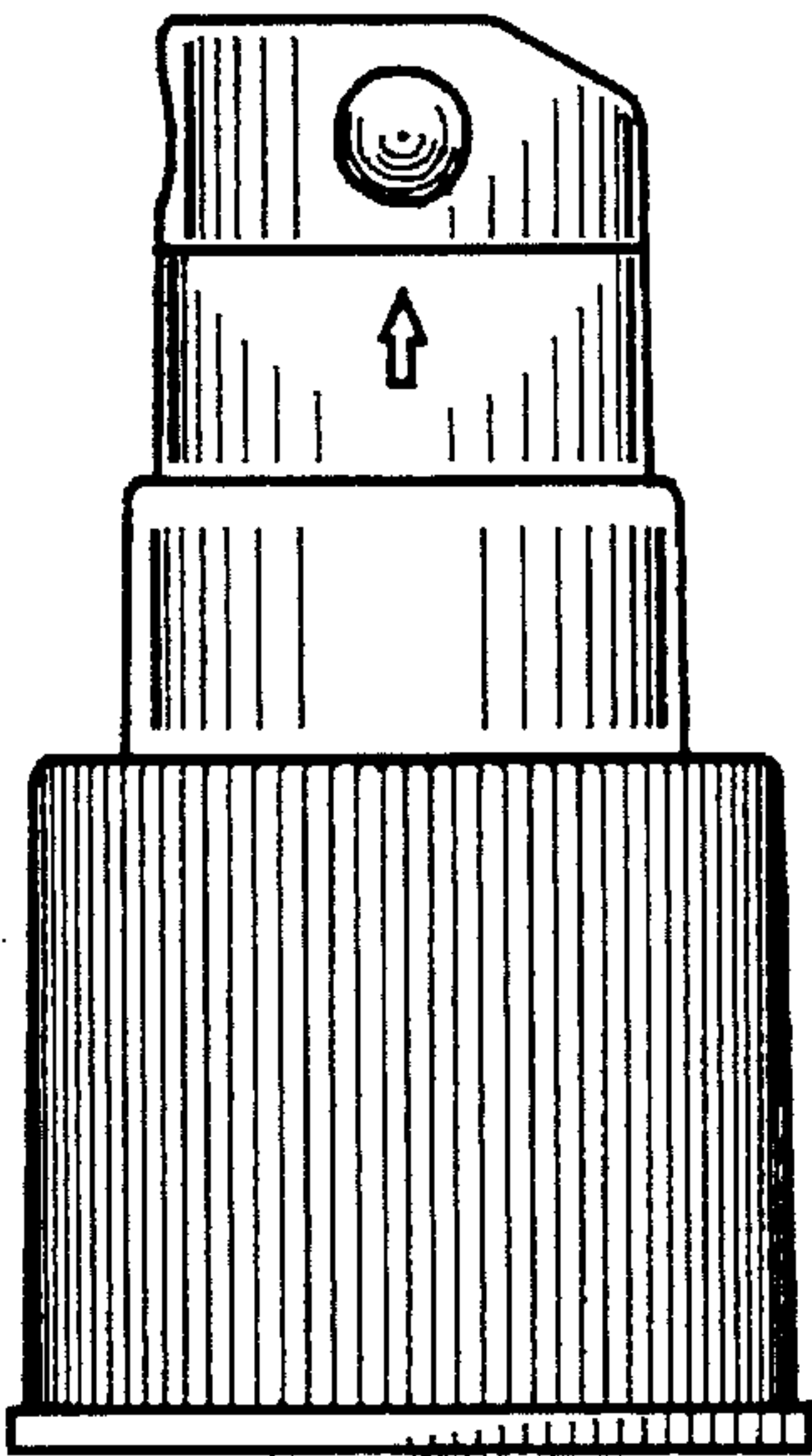


FIG. 7

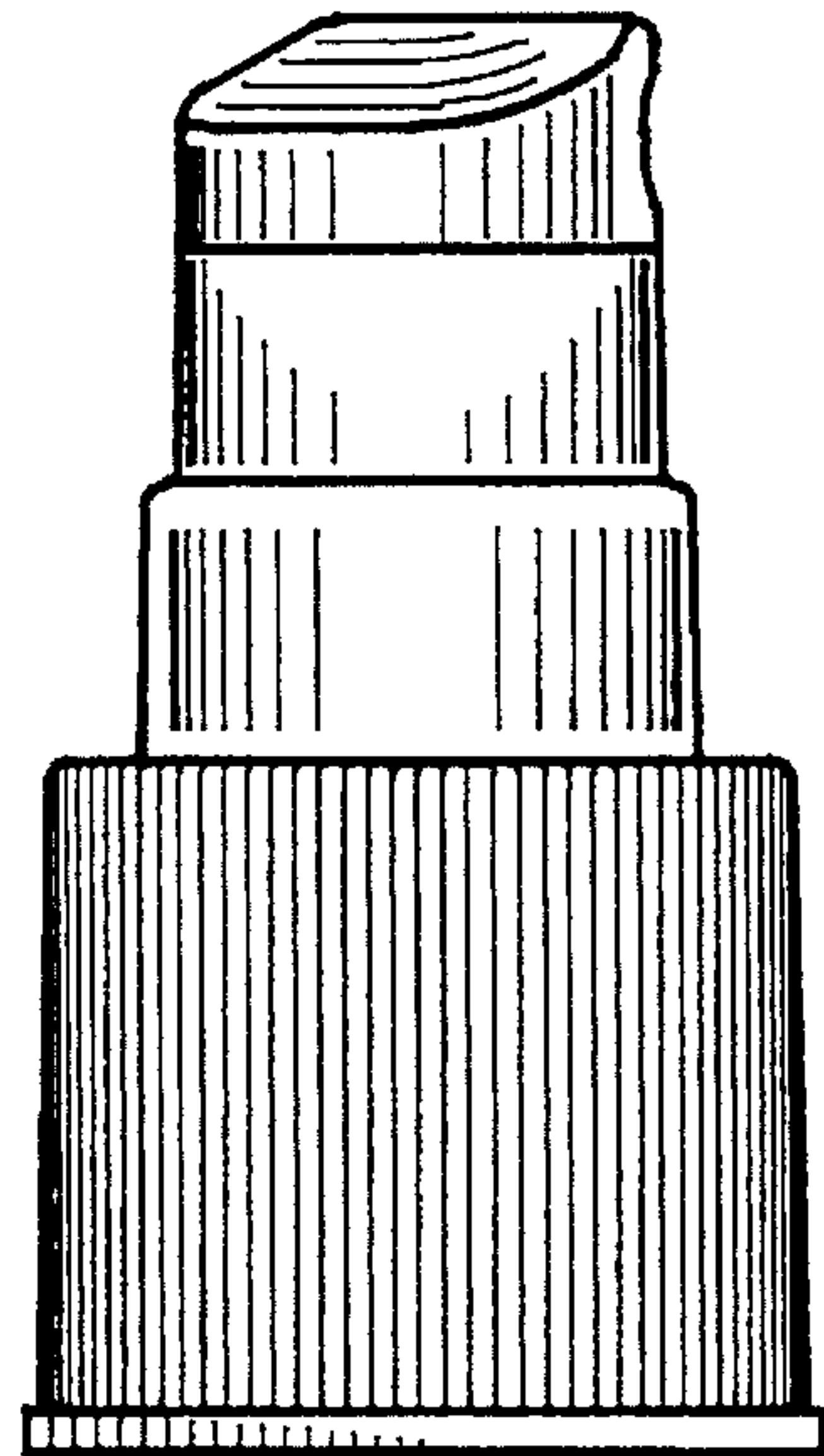


FIG. 8

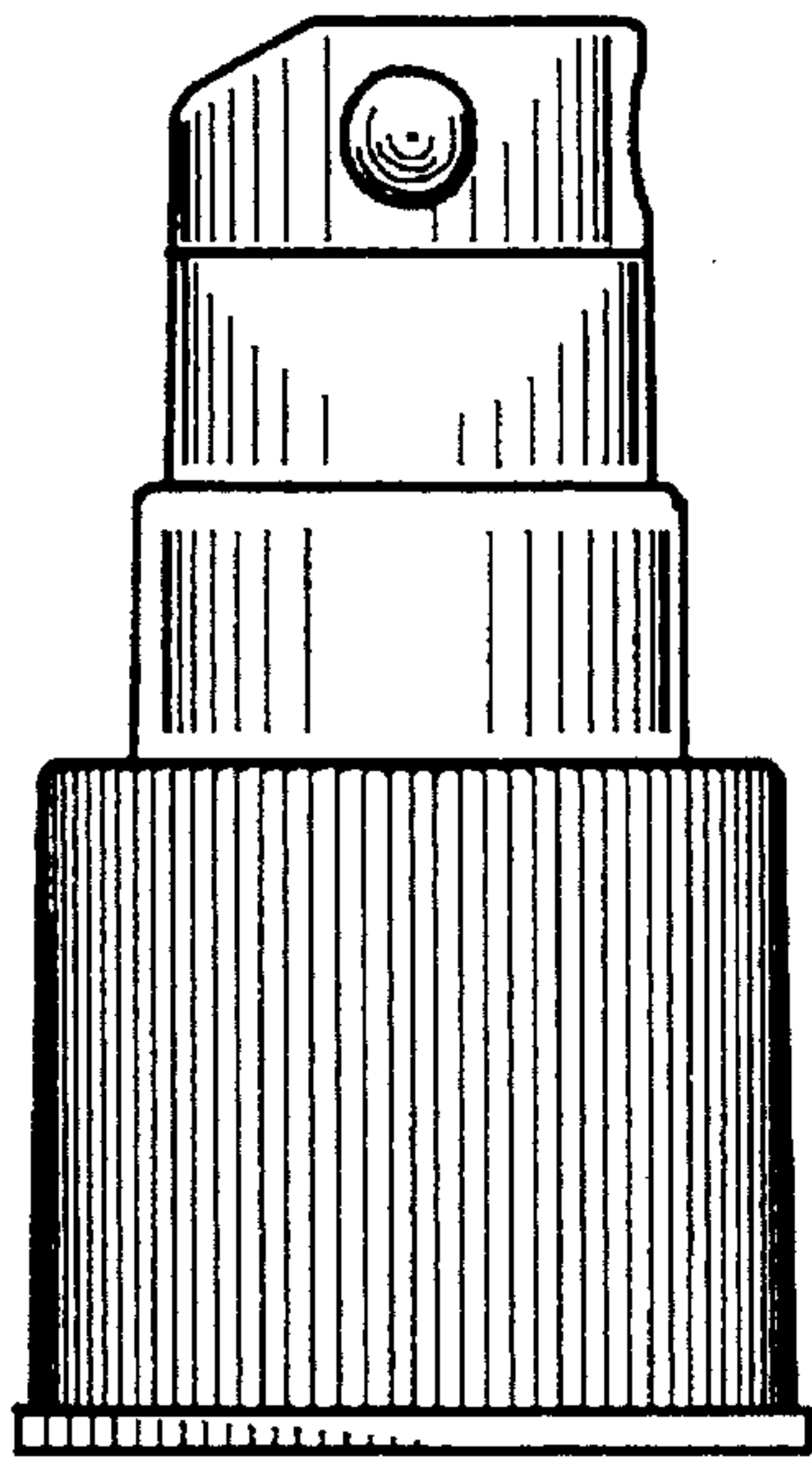


FIG. 9

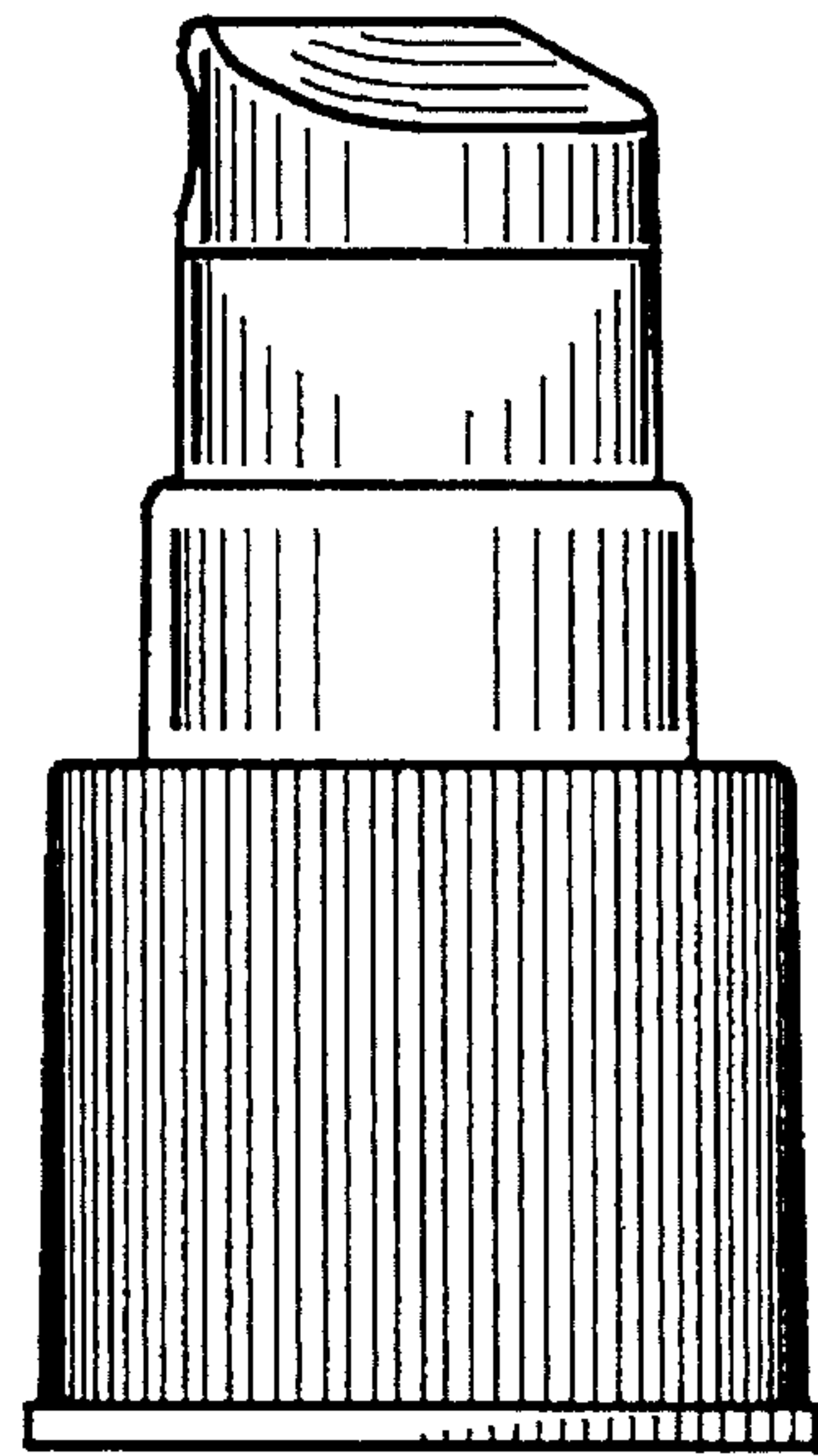


FIG. 10



FIG. 11

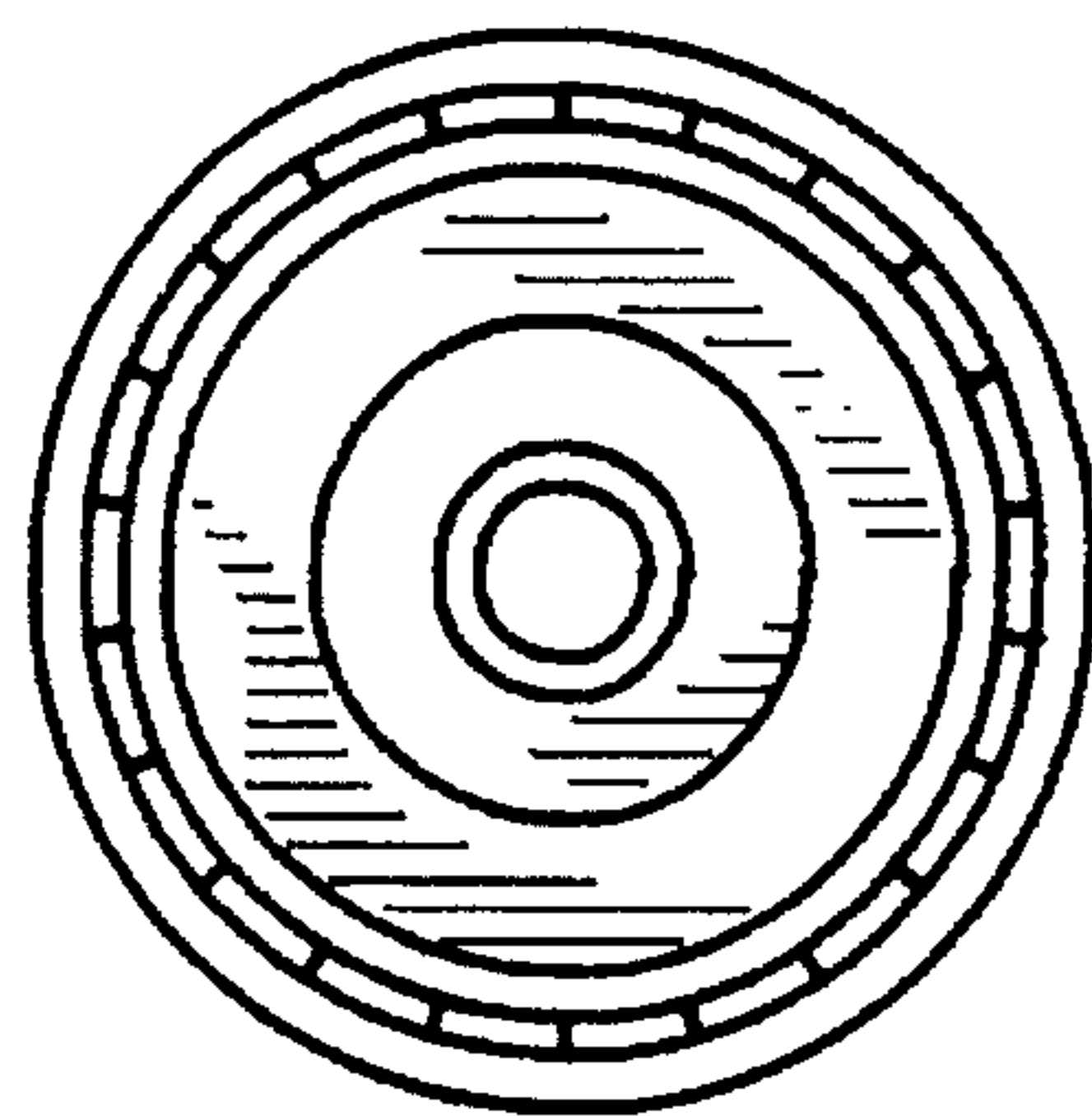


FIG. 12