



US00D376101S

United States Patent [19]
Lippens

[11] **Patent Number:** **Des. 376,101**
[45] **Date of Patent:** ****Dec. 3, 1996**

[54] **PACKAGING FOR CONFECTIONERY**

[75] Inventor: **Gerd Lippens**, Brussels, Belgium

[73] Assignee: **Ballon-Express S.A.**, Brussels, Belgium

[**] Term: **14 Years**

[21] Appl. No.: **41,771**

[22] Filed: **Jul. 24, 1995**

[30] **Foreign Application Priority Data**

Jan. 23, 1995 [WO] WIPO DM/031884

[52] **U.S. Cl.** **D9/337**; D21/84

[58] **Field of Search** D9/305, 307, 337,
D9/414, 418; D21/84; D11/184, 131, 157;
446/220-226; 206/457

[56] **References Cited**

U.S. PATENT DOCUMENTS

D. 290,823 7/1987 Gardiner et al. D9/337 X
D. 298,809 12/1988 Davis D21/84 X
D. 315,676 3/1991 Snipes et al. D9/337

D. 336,037 6/1993 Lippens D9/337
1,536,816 5/1925 Sale D21/84 X
1,545,463 7/1925 Dreyer 206/457 X
5,024,011 6/1991 Collins D21/84 X
5,204,146 4/1993 Heinze et al. 446/220 X

Primary Examiner—Prabhakar G. Deshmukh
Assistant Examiner—Cheri Cohen
Attorney, Agent, or Firm—Abelman, Frayne & Schwab

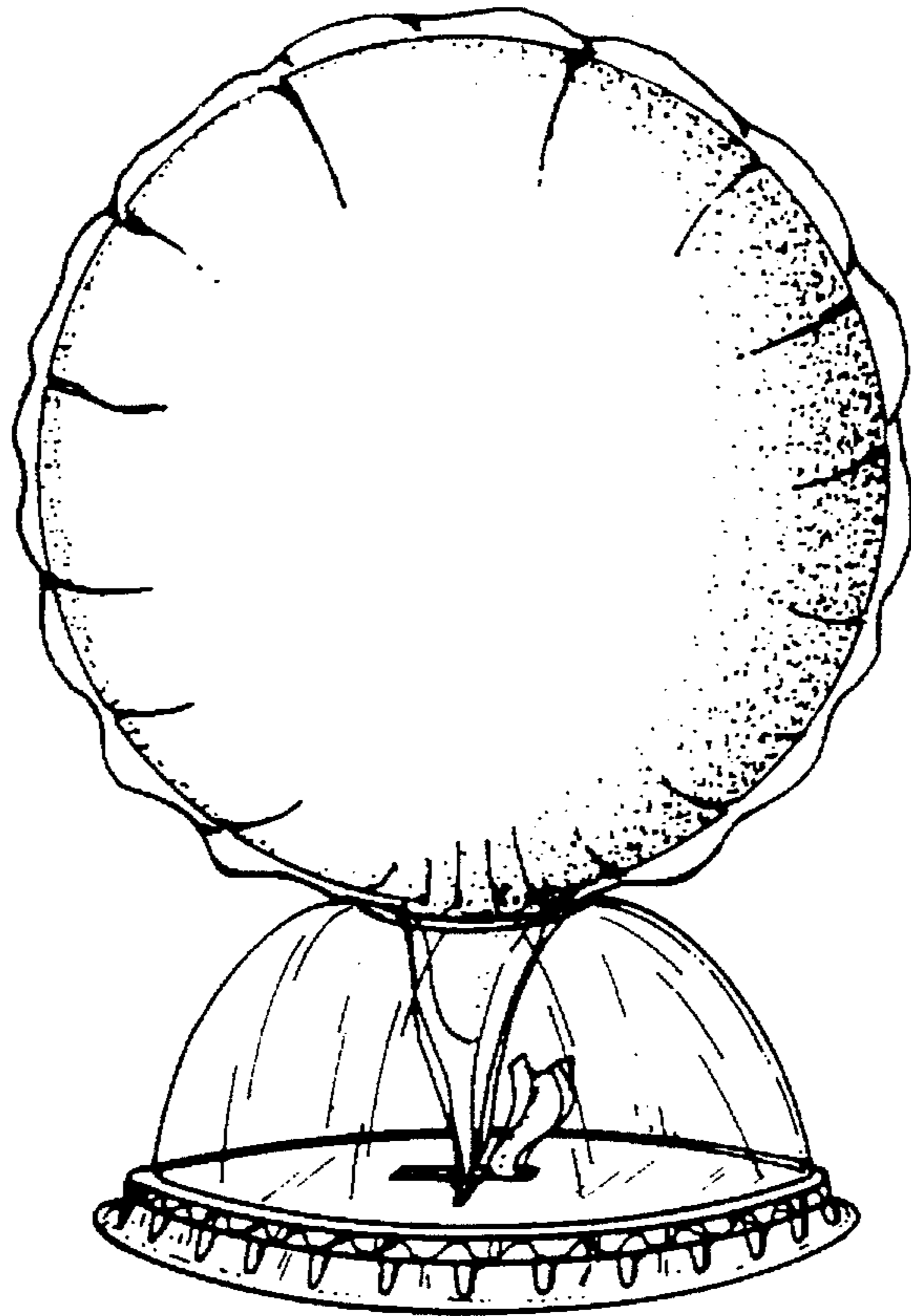
[57] **CLAIM**

The ornamental design for packaging for confectionery, as shown and described.

DESCRIPTION

FIG. 1 is a front perspective view of the packaging for confectionery;
FIG. 2 is a front elevation thereof, the rear elevation being a mirror image of FIG. 2;
FIG. 3 is a side elevation of thereof, the opposite side being a mirror image of FIG. 3;
FIG. 4 is an underside plan view thereof; and,
FIG. 5 is a plan view thereof.

1 Claim, 1 Drawing Sheet



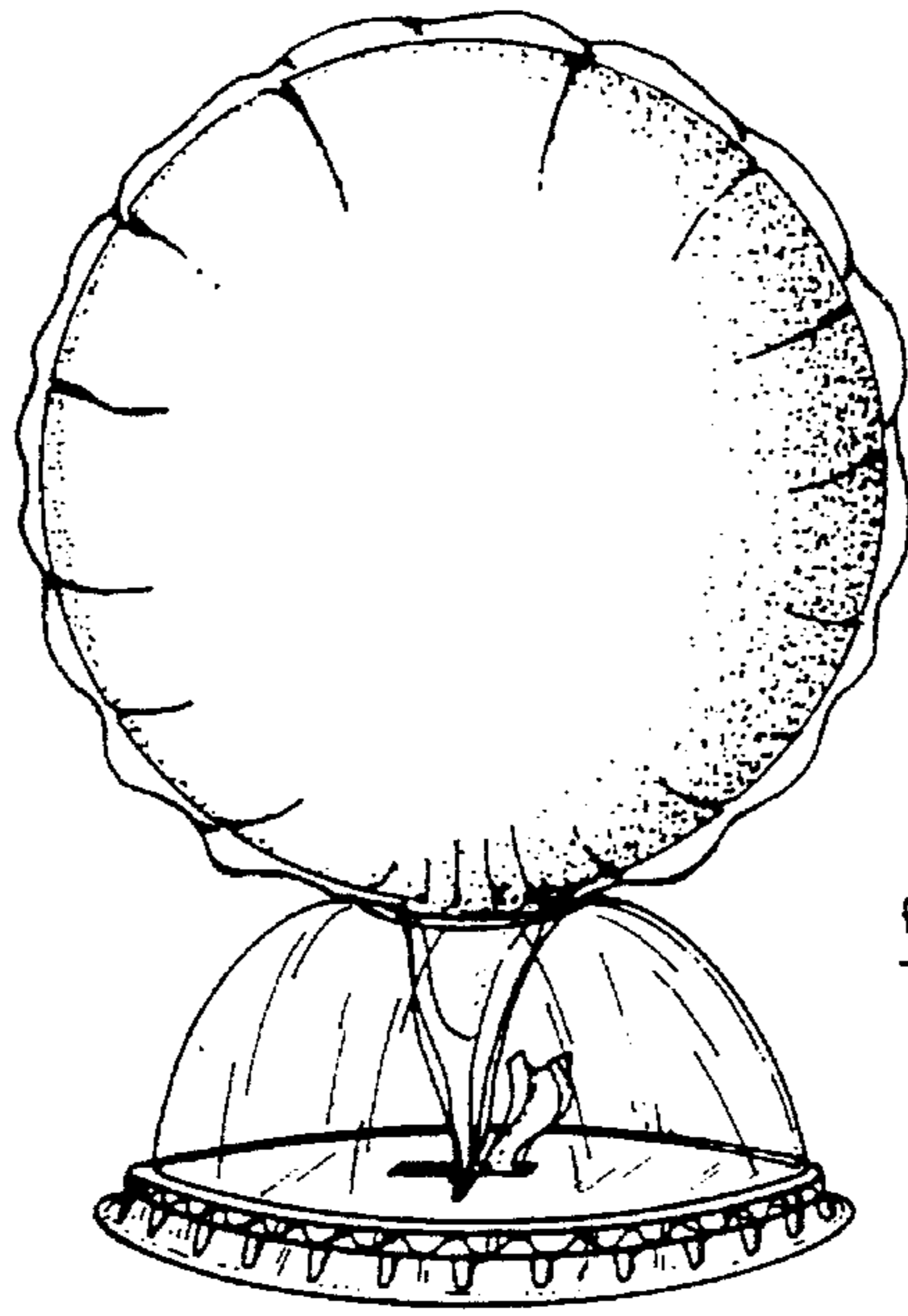


FIG. 1

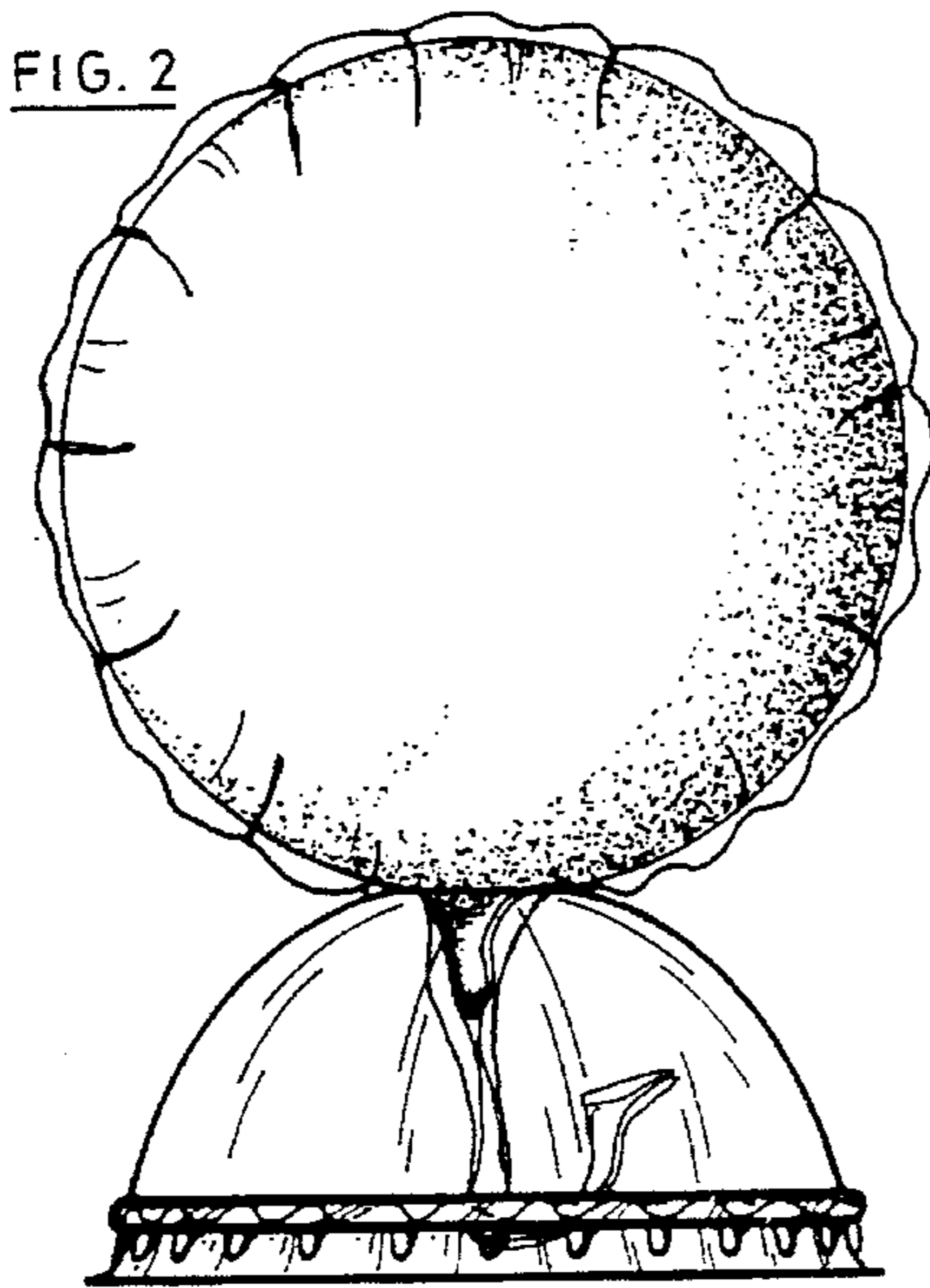


FIG. 2

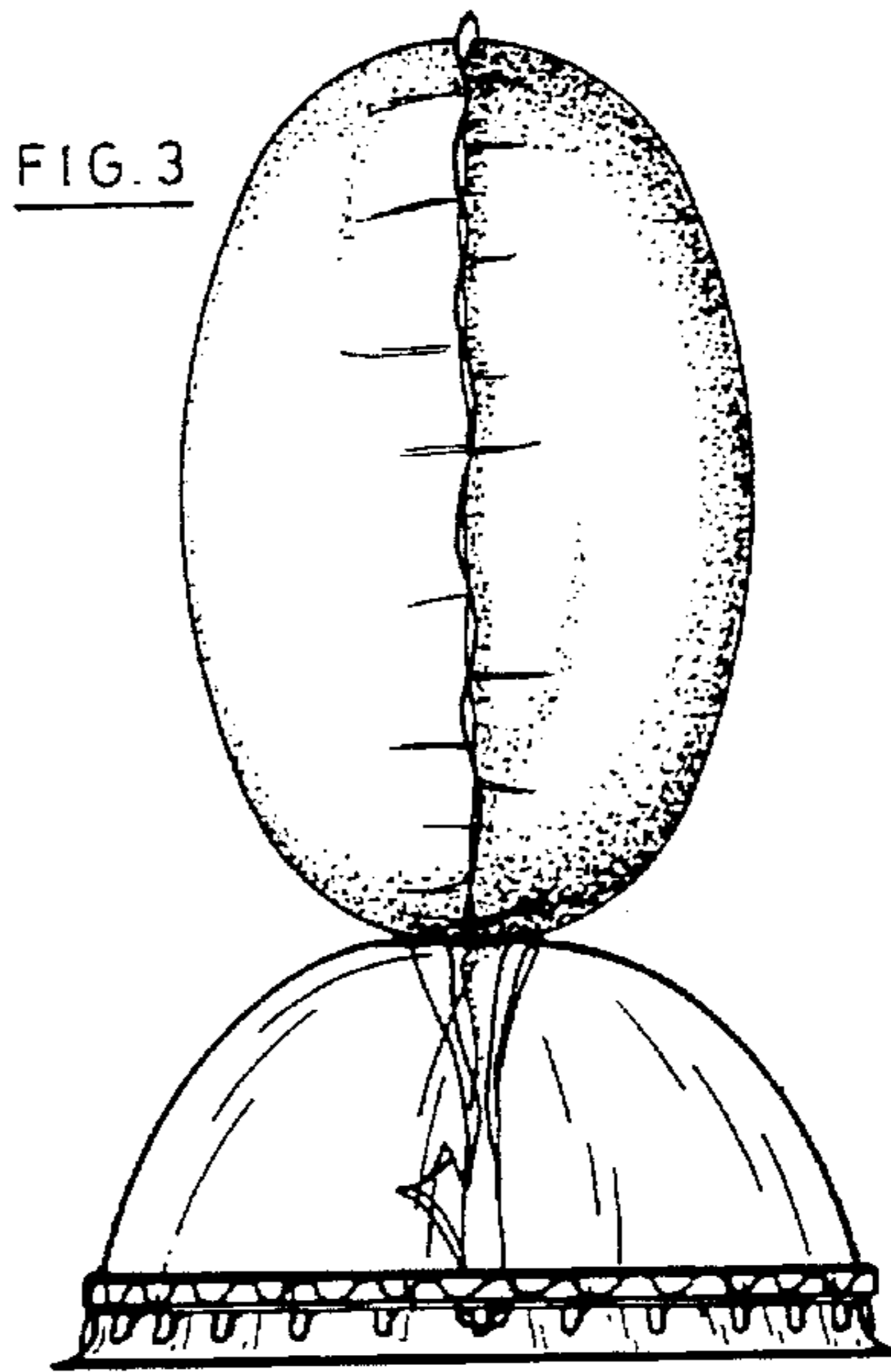


FIG. 3

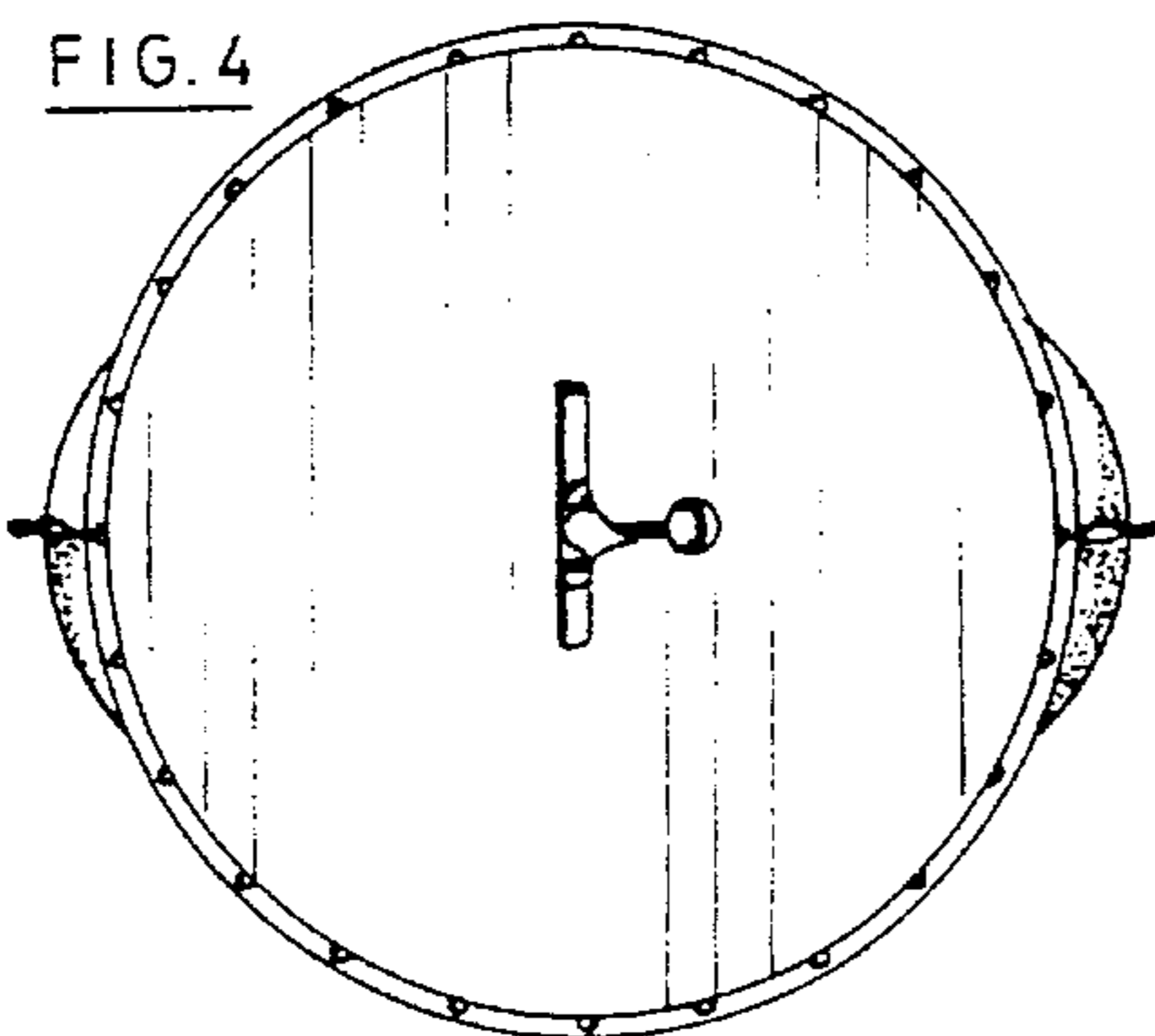


FIG. 4

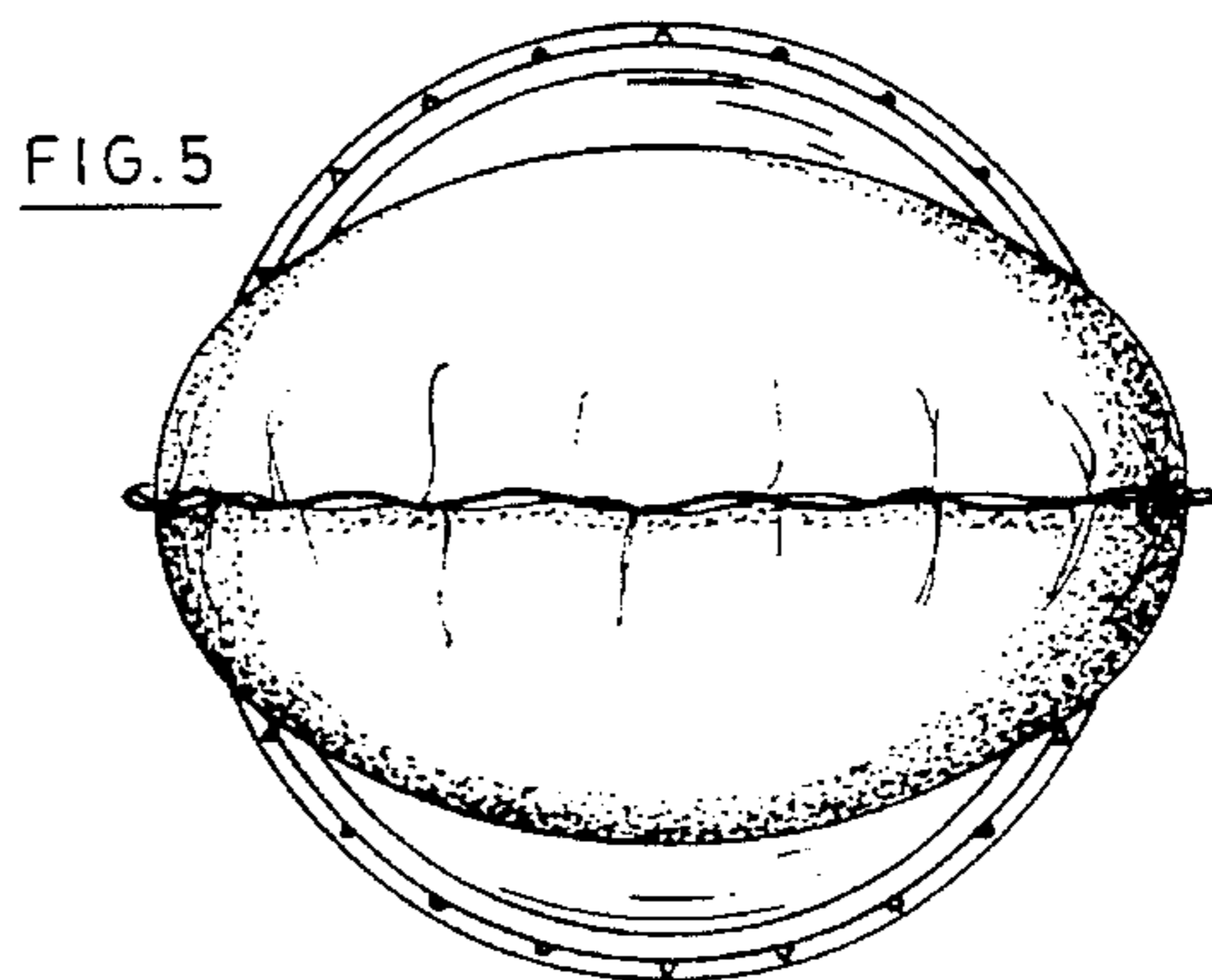


FIG. 5