



US00D376098S

United States Patent [19]

Bucher

[11] **Patent Number: Des. 376,098**

[45] **Date of Patent: **Dec. 3, 1996**

[54] **WINDOW STAY**

2258491 2/1993 United Kingdom 49/248

[75] Inventor: **Albert G. Bucher**, Masterton, New Zealand

Primary Examiner—Ted Shooman

Assistant Examiner—C. Tuttle

Attorney, Agent, or Firm—Oblon, Spivak, McClelland, Maier & Neustadt, P.C.

[73] Assignee: **Interlock Industries Limited**, Wellington, New Zealand

[**] Term: **14 Years**

[57] CLAIM

The ornamental design for a window stay, as shown and described.

[21] Appl. No.: **23,202**

[22] Filed: **May 19, 1994**

DESCRIPTION

[30] Foreign Application Priority Data

FIG. 1 is a perspective view of a window stay showing my new design in a fully opened configuration;

FIG. 2 is a perspective view shown in the closed configuration;

FIG. 3 is a elevational view of the far end of FIG. 2;

FIG. 4 is an elevational view of the near end of FIG. 2;

FIG. 5 is an elevational view of the left side of FIG. 2;

FIG. 6 is an elevational view of the right side of FIG. 2;

FIG. 7 is a bottom plan view of the long arm element of the window stay, shown separately for clarity of illustration;

FIG. 8 is a bottom perspective view of the frame mounting plate element of the window stay, shown separately for clarity of illustration; and

FIG. 9 is a bottom perspective view of the short arm element of the window stay shown separately for clarity of illustration;

FIG. 10 is a top plan view of the assembled article; and,

FIG. 11 is a bottom plan view of the assembled article.

Nov. 19, 1993 [NZ] New Zealand 25585

[52] U.S. Cl. **D8/400**

[58] Field of Search D8/400, 402, 499; 16/362-371, 341-342, DIG. 16, 82, 86 C; 49/345, 248-252

[56] References Cited

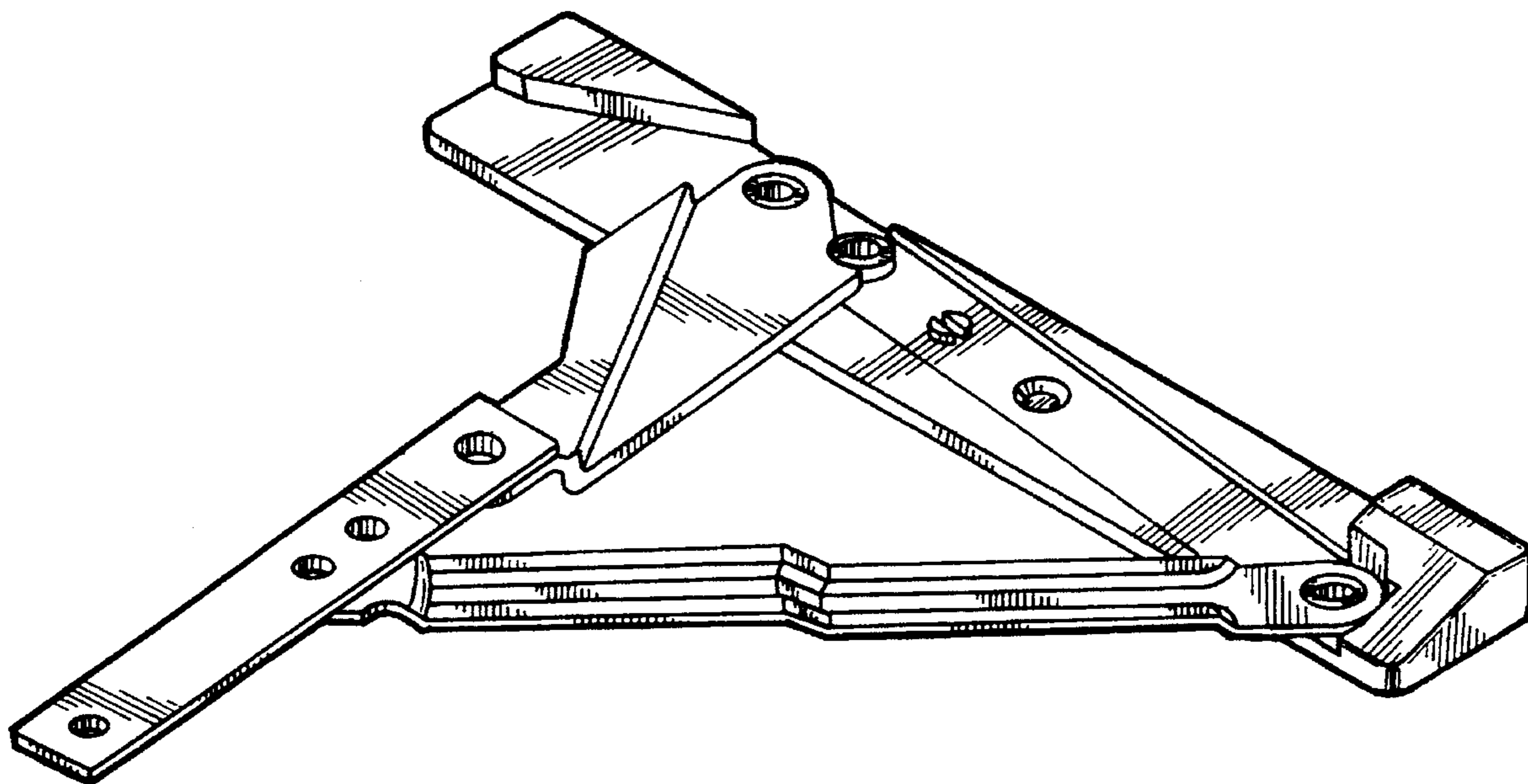
U.S. PATENT DOCUMENTS

3,497,909	3/1970	Davis	16/342
4,226,002	10/1980	Davis	49/248 X
4,555,829	12/1985	Davis	16/342
4,718,144	1/1988	Buckley	16/341
4,833,754	5/1989	Yang	16/DIG. 16 X
4,980,947	1/1991	McQuigge	16/363 X
5,210,908	5/1993	Bucher	16/368

FOREIGN PATENT DOCUMENTS

2184778 7/1987 United Kingdom 292/263

1 Claim, 4 Drawing Sheets



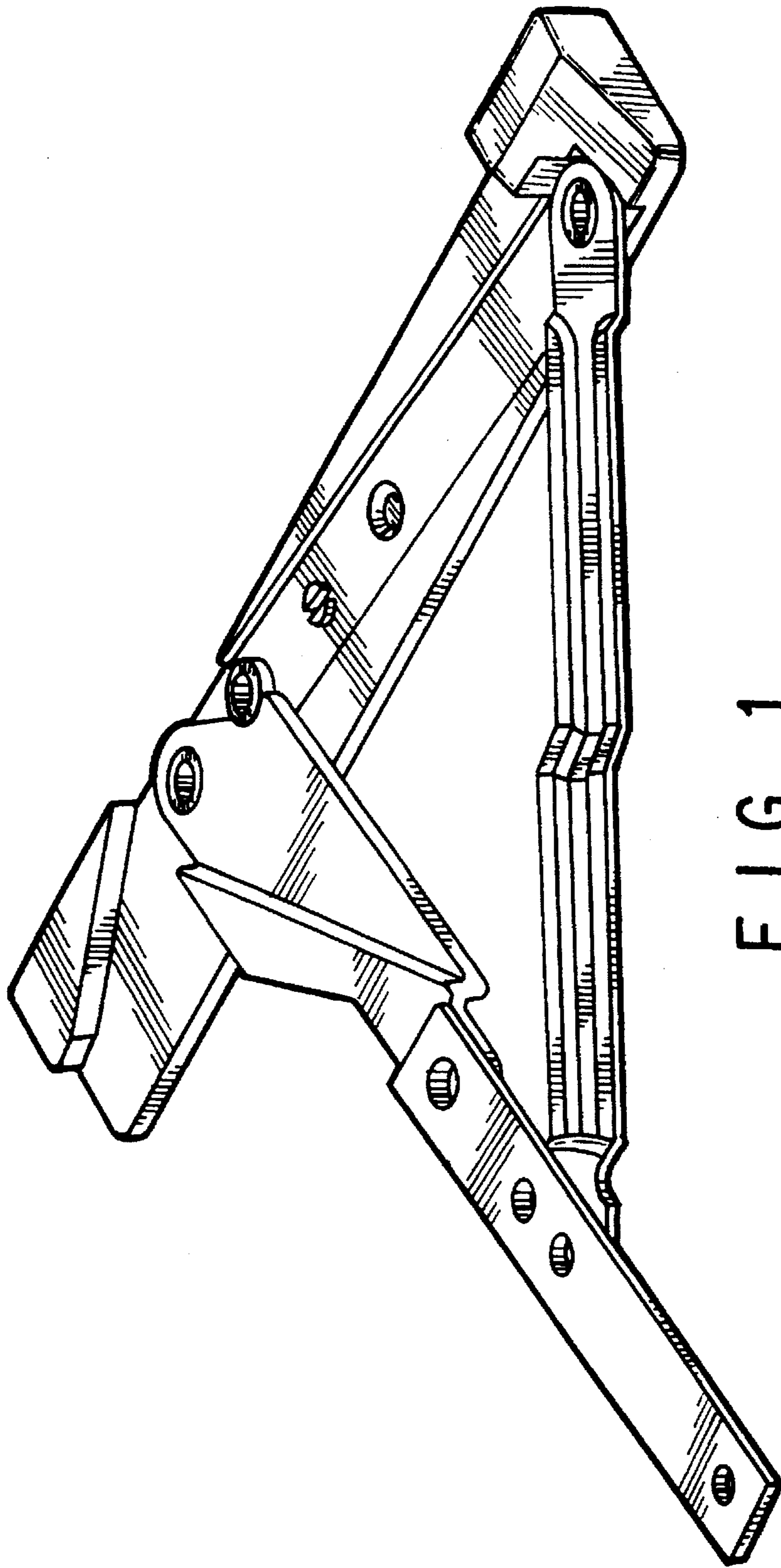


FIG. 1

FIG. 2

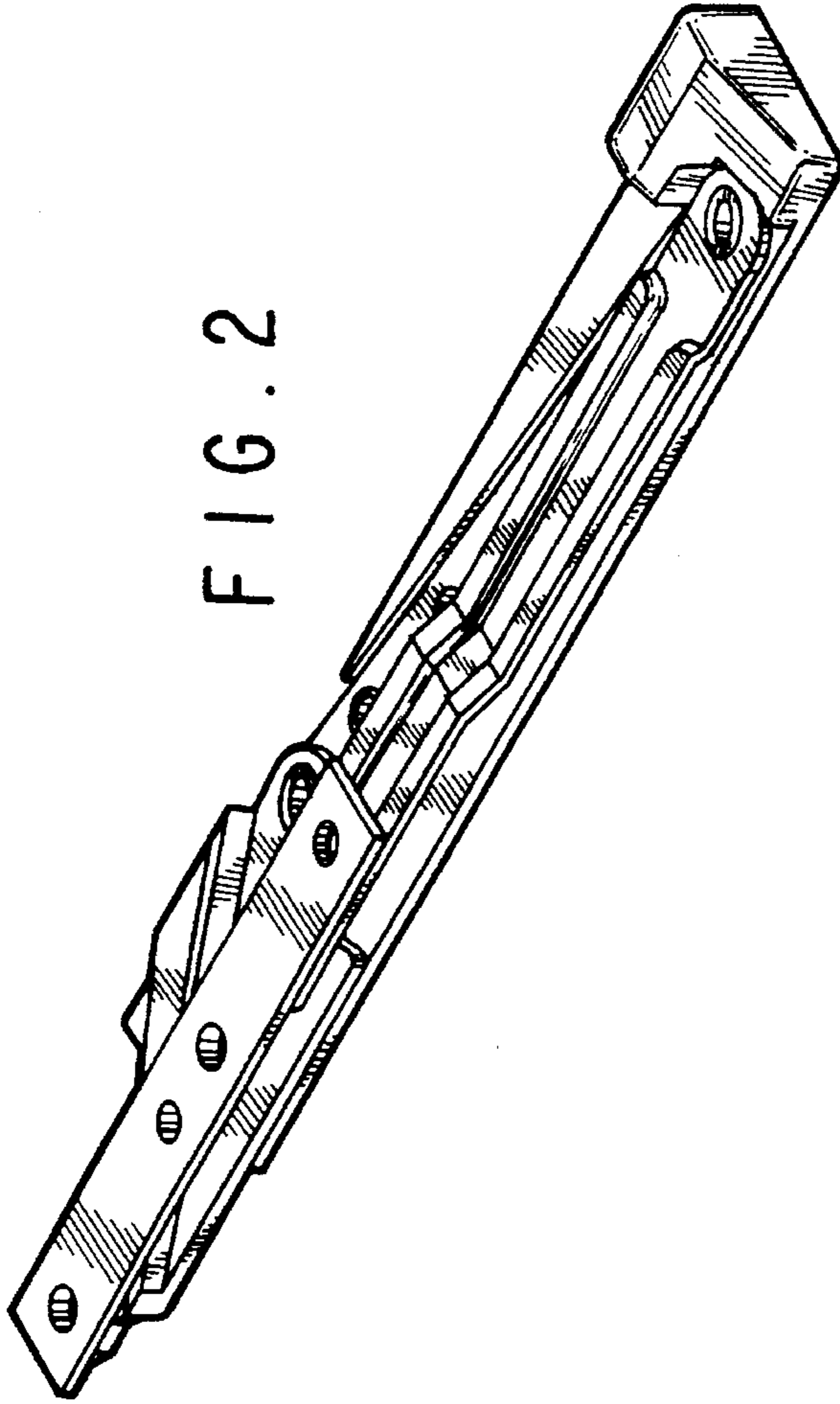


FIG. 3

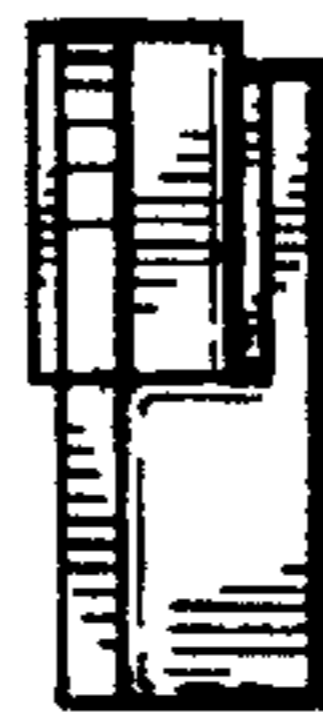


FIG. 5



FIG. 4



FIG. 6





FIG. 7

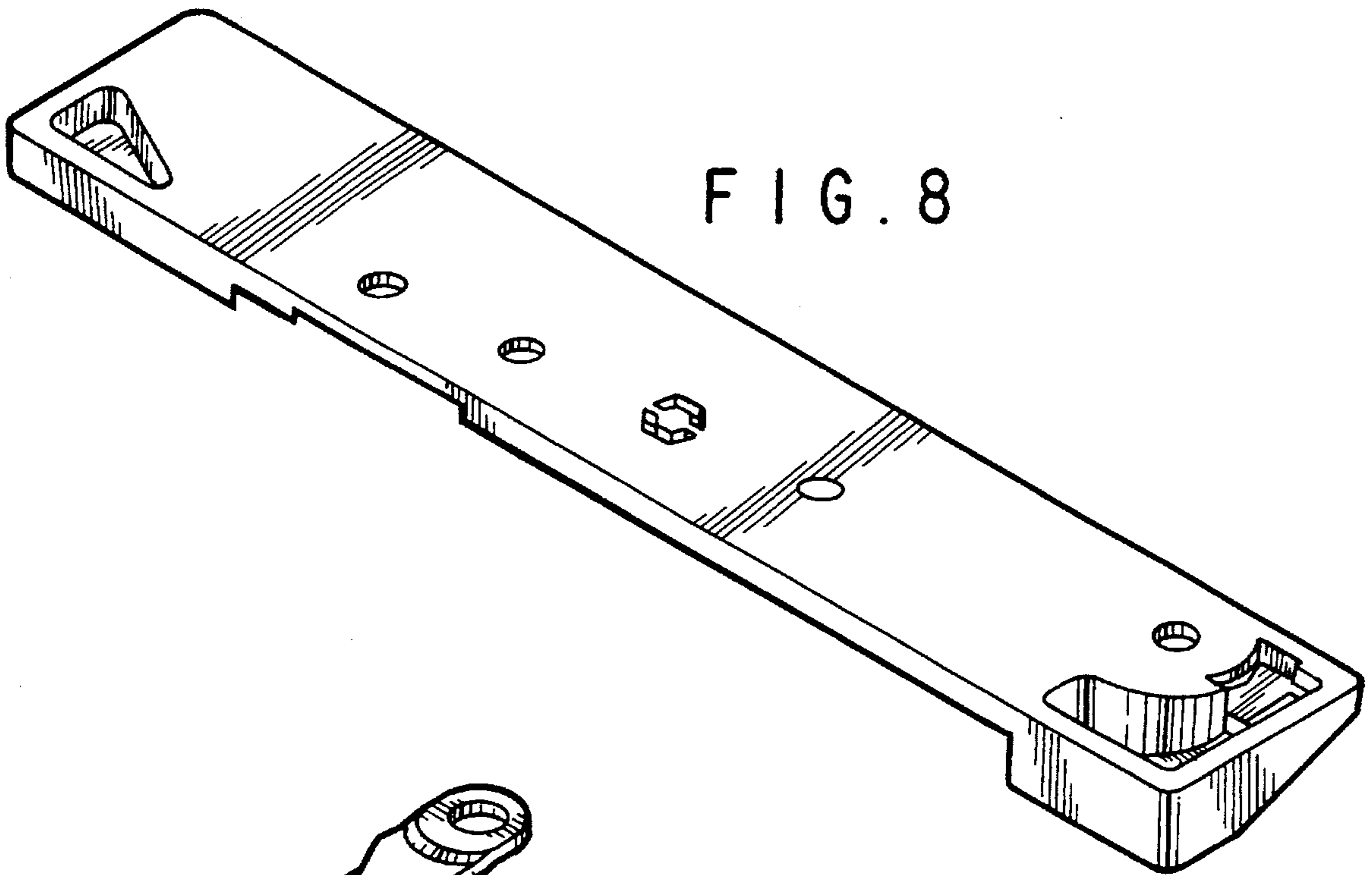


FIG. 8

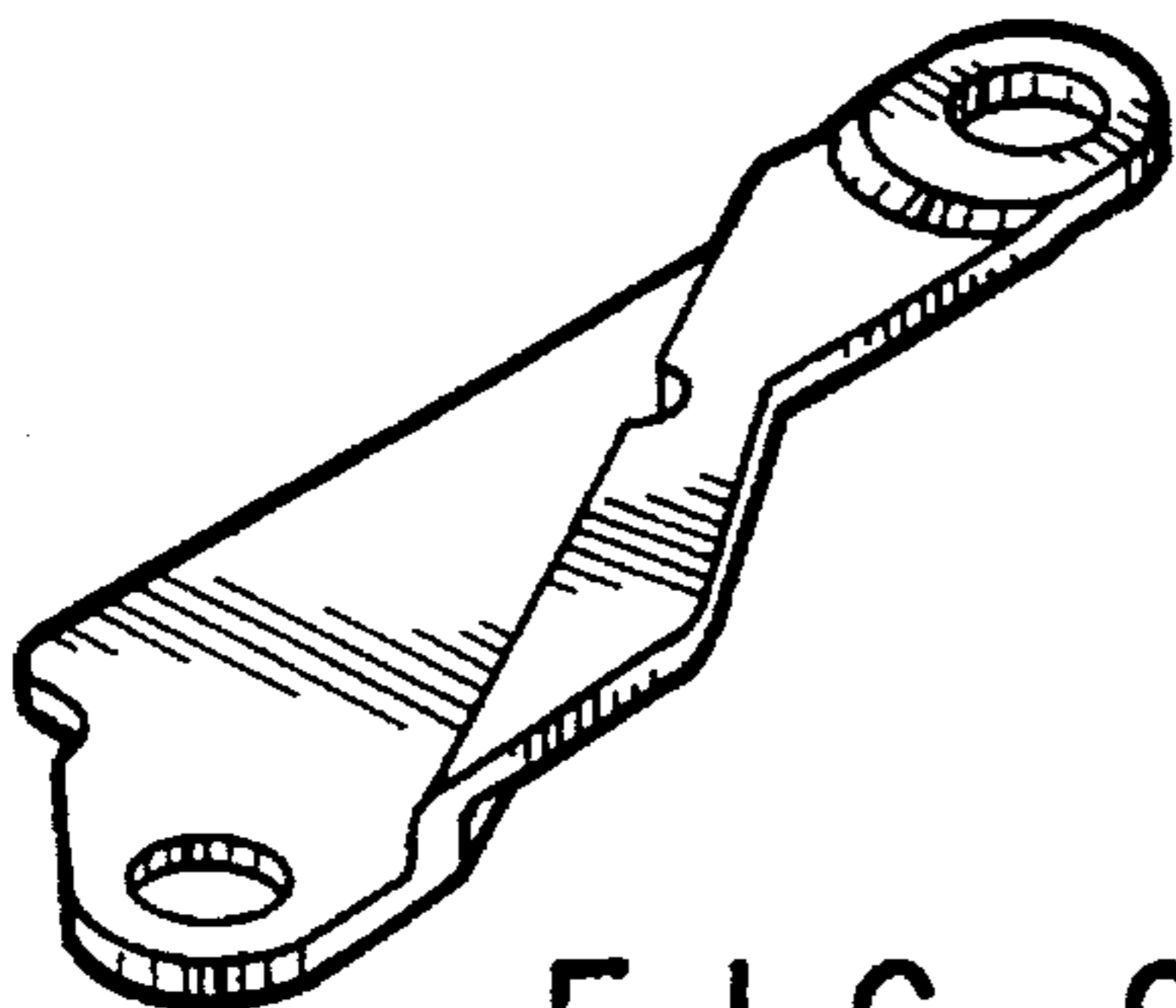


FIG. 9

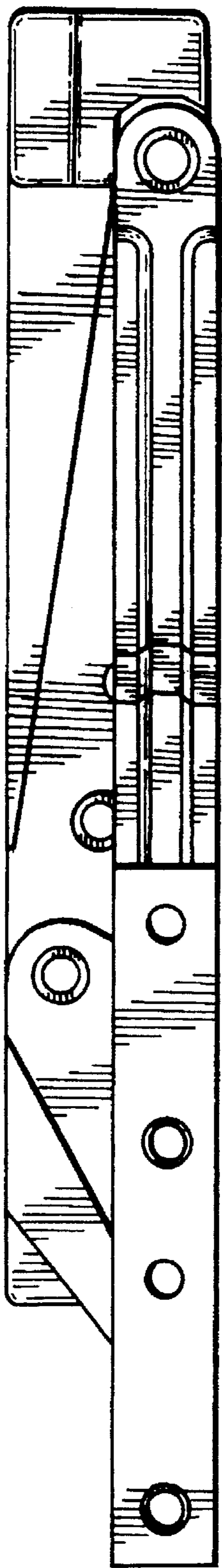


FIG. 10

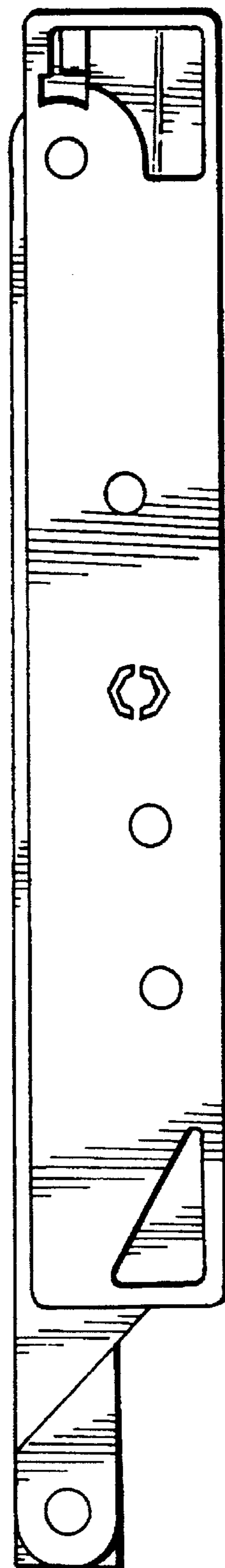


FIG. 11