



US00D376093S

# United States Patent [19]

[11] Patent Number: **Des. 376,093**

**Whitaker et al.**

[45] Date of Patent: **\*\*Dec. 3, 1996**

[54] **SUPPORT BRACKET**

[75] Inventors: **Richard J. Whitaker**, Guernsey, Channel Islands; **Alan M. G. Meeks**, Basingstoke, Great Britain

[73] Assignee: **Commercial Brains Limited**, Guernsey, Channel Islands

[\*\*] Term: **14 Years**

[21] Appl. No.: **33,813**

[22] Filed: **Jan. 20, 1995**

[52] U.S. Cl. .... **D8/349**

[58] Field of Search ..... D8/380, 381; D14/114; 248/284.1

[56] **References Cited**

**U.S. PATENT DOCUMENTS**

D. 269,945	8/1983	Carney .....	D8/355
D. 273,044	3/1984	Holcomb .....	D24/48
D. 311,130	10/1990	Whitaker .....	D8/381
D. 314,505	2/1991	Chen .....	D8/380
D. 325,868	5/1992	Bartok .....	D8/380
D. 337,333	7/1993	Turk .....	D14/251
D. 337,719	7/1993	Burns .....	D8/363
3,173,643	3/1965	Rath .....	248/340 X

4,768,744	9/1988	Leeds et al. ....	248/280.1
4,872,630	10/1989	Cooper .....	248/278
5,000,608	3/1991	Schmidt .....	403/92
5,033,707	7/1991	Strater et al. ....	248/284
5,040,760	8/1991	Singer .....	248/284.1

**OTHER PUBLICATIONS**

Triple Pivotelli—Data Sheet T (1 page); 1994.  
Triple Telescopic Pivotelli—Data Sheet TT (1 page) 1994.  
Pivotelli Speaker Support—Data Sheet S (1 page); @1994.  
Single Pivotelli—Data Sheet S (1 page); 1994.  
Double Pivotelli—Data Sheet D (1 page); 1994.

*Primary Examiner*—Holly H. Baynham  
*Attorney, Agent, or Firm*—Rudnick & Wolfe

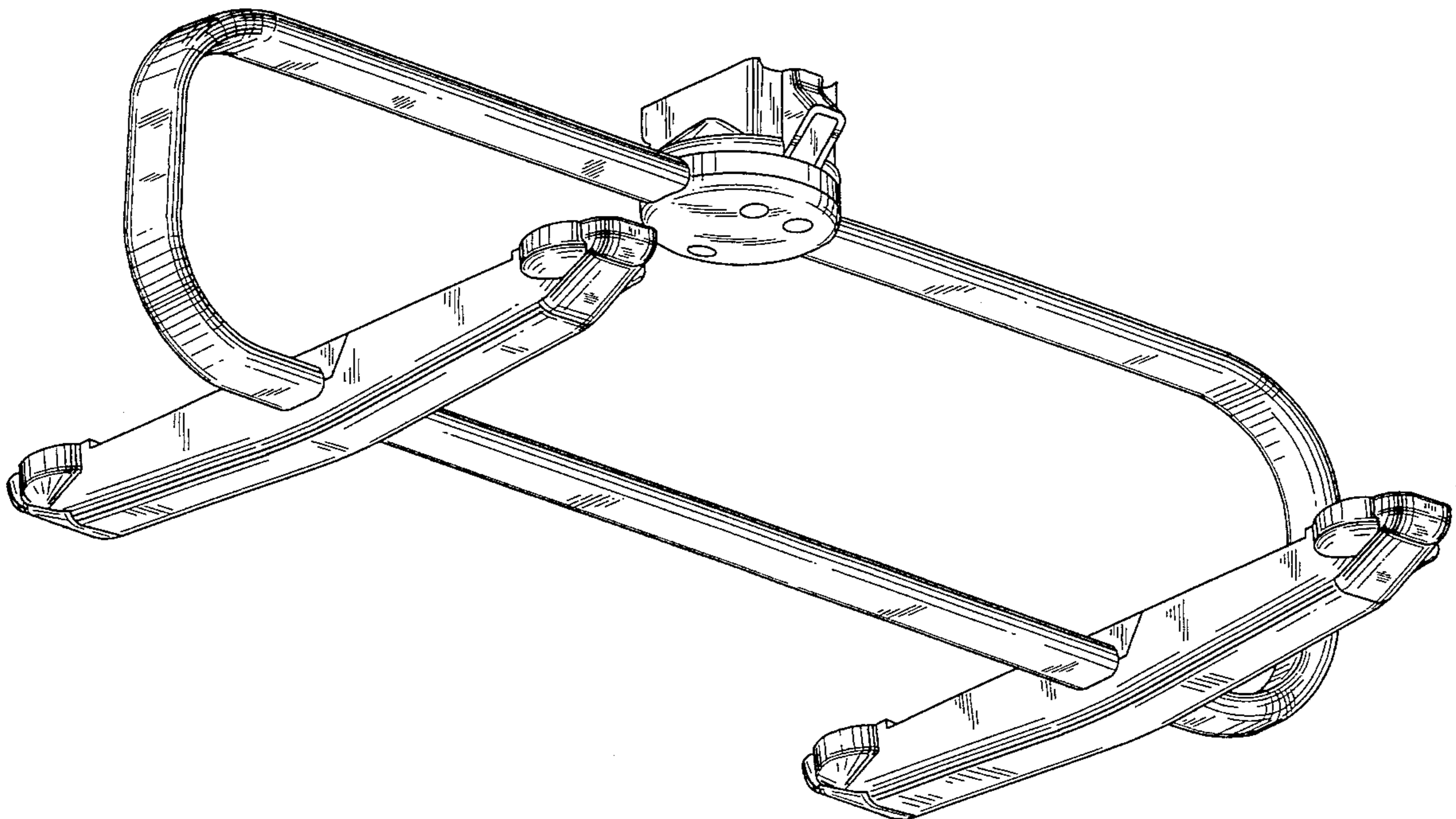
[57] **CLAIM**

The ornamental design for a support bracket, as shown and described.

**DESCRIPTION**

FIG. 1 is a bottom, left side, perspective view of a support bracket showing our new design; FIG. 2 is a top right side, rear perspective view thereof; and, FIG. 3 is a left side elevational view thereof and with the right side elevational view being a mirror image thereof.

**1 Claim, 3 Drawing Sheets**



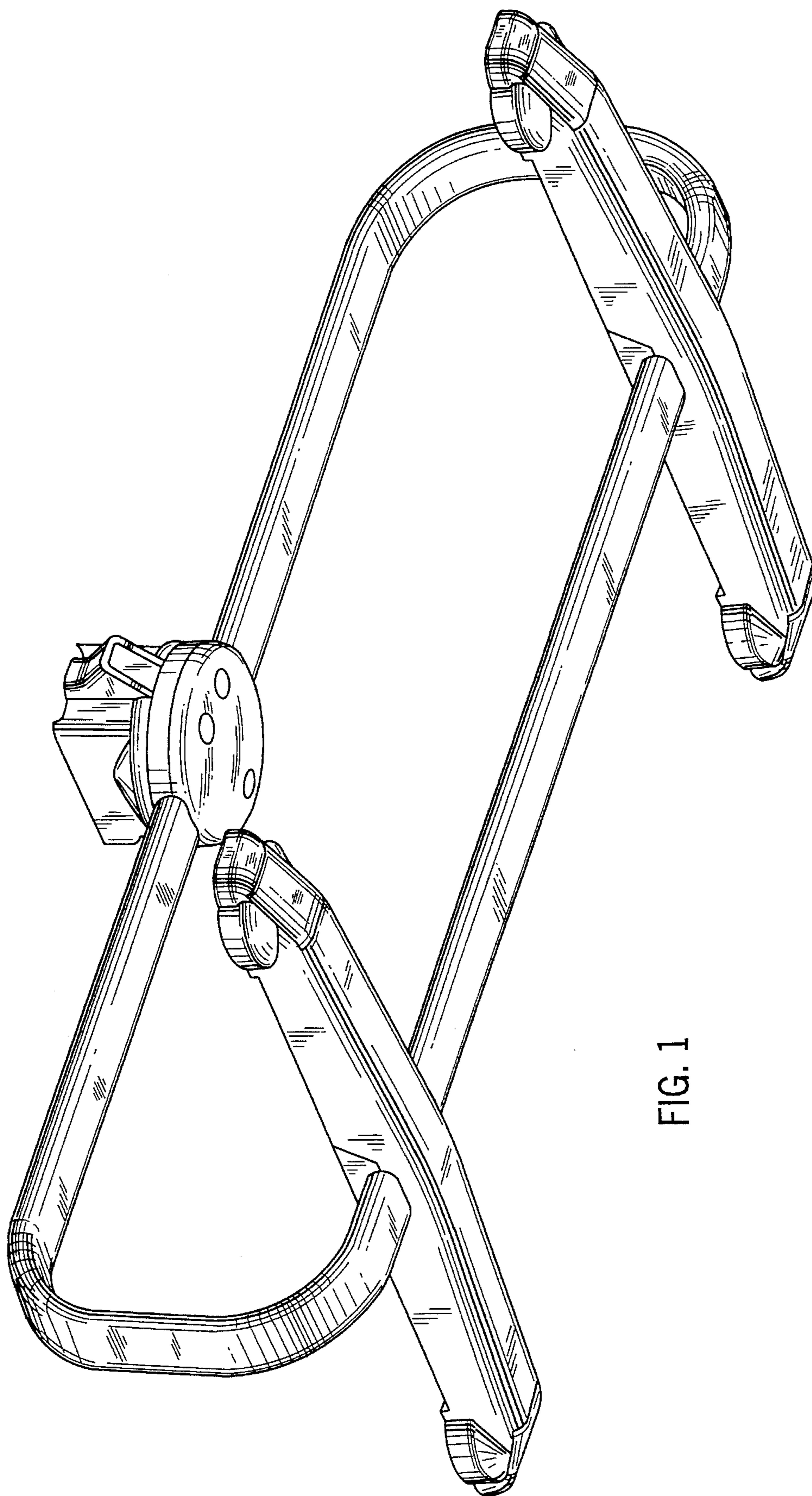


FIG. 1

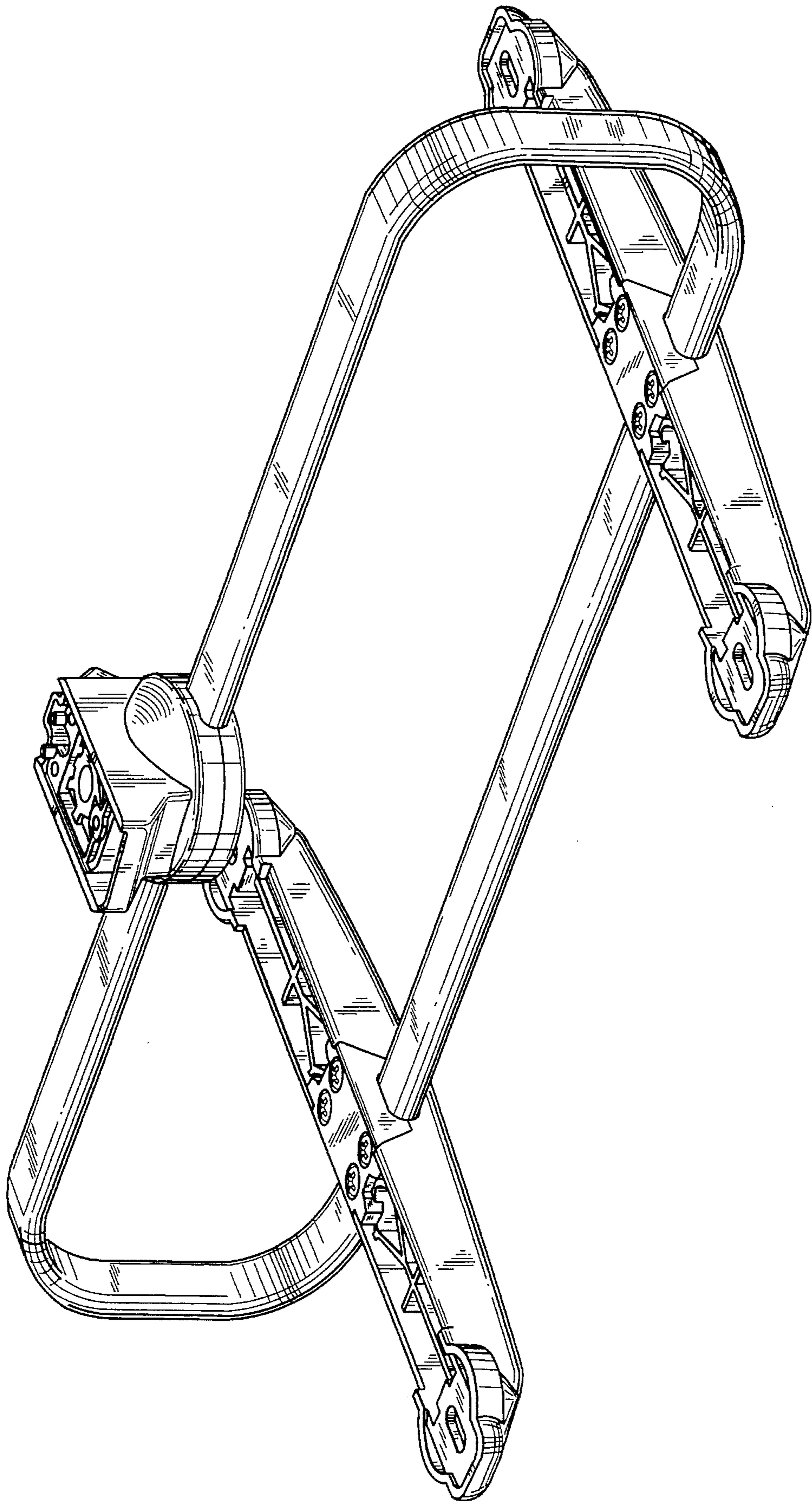


FIG. 2

FIG. 3

