



US00D376090S

United States Patent [19]

Wright

[11] Patent Number: **Des. 376,090**

[45] Date of Patent: ****Dec. 3, 1996**

[54] **KNIFE WITH HEATED BLADE**

[76] Inventor: **Ricky L. Wright**, Rd #1 Box 108D,
Glen Campbell, Pa. 15742

[**] Term: **14 Years**

[21] Appl. No.: **40,541**

[22] Filed: **Jun. 21, 1995**

[52] U.S. Cl. **D8/98**

[58] Field of Search D8/98, 99, 107,
D8/61, 29.1; 30/140, 329, 162

[56] **References Cited**

U.S. PATENT DOCUMENTS

D. 286,974	12/1986	Veverka	D8/107
D. 293,202	12/1987	West et al.	D8/99
D. 305,096	12/1989	Tench et al.	D8/107
4,690,724	9/1987	Outlaw	30/140
4,936,014	6/1990	Shanan et al.	30/331

Primary Examiner—Philip S. Hyder
Attorney, Agent, or Firm—Harold H. Dutton, Jr.; W. Charles L. Jamison; Diane F. Liebman

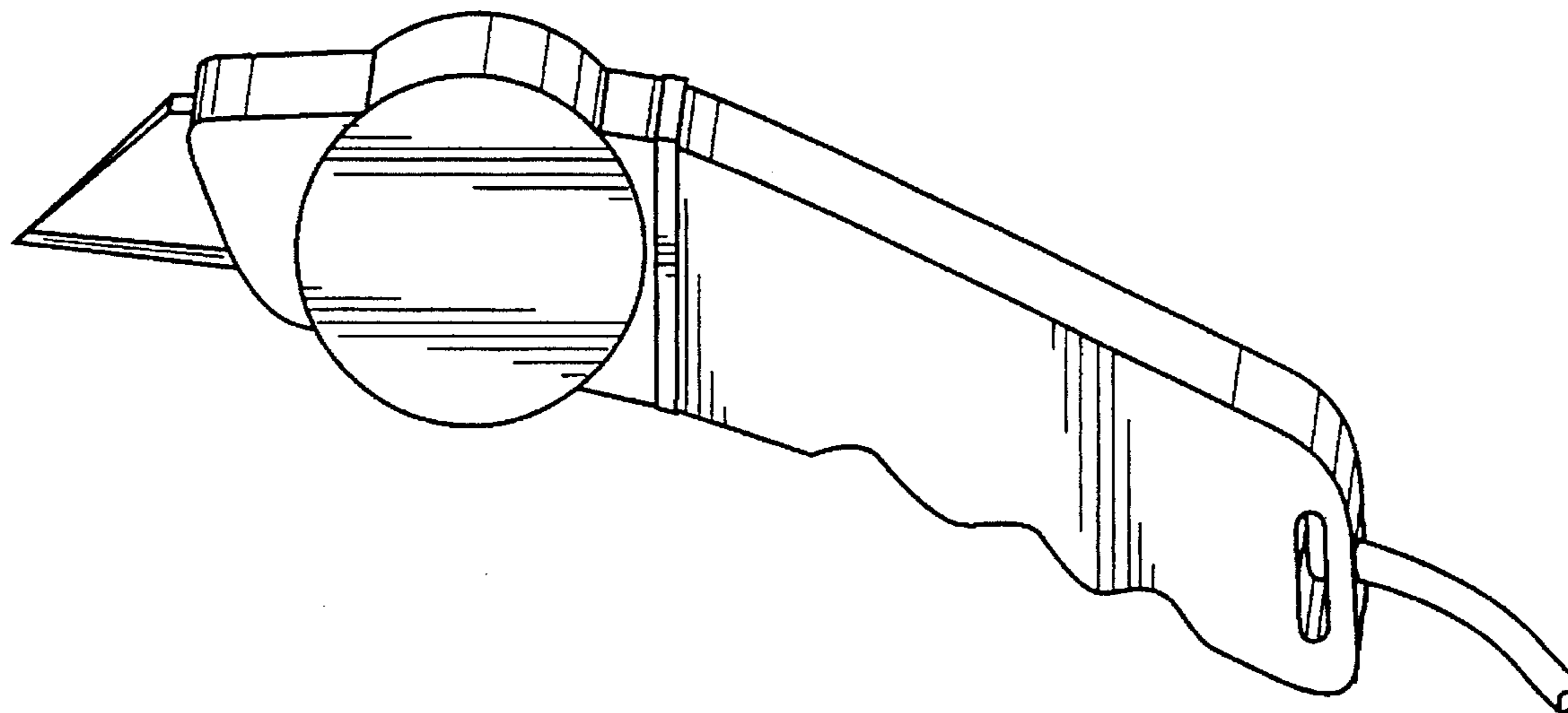
[57] **CLAIM**

The ornamental design for a knife with heated blade, as shown.

DESCRIPTION

FIG. 1 is a front perspective view of a knife with heated blade showing my new design;
FIG. 2 is a rear perspective view thereof;
FIG. 3 is a top view thereof;
FIG. 4 is a bottom view thereof;
FIG. 5 is a left side view thereof;
FIG. 6 is a right side view thereof; and,
FIG. 7 is a front elevational view thereof.

1 Claim, 4 Drawing Sheets



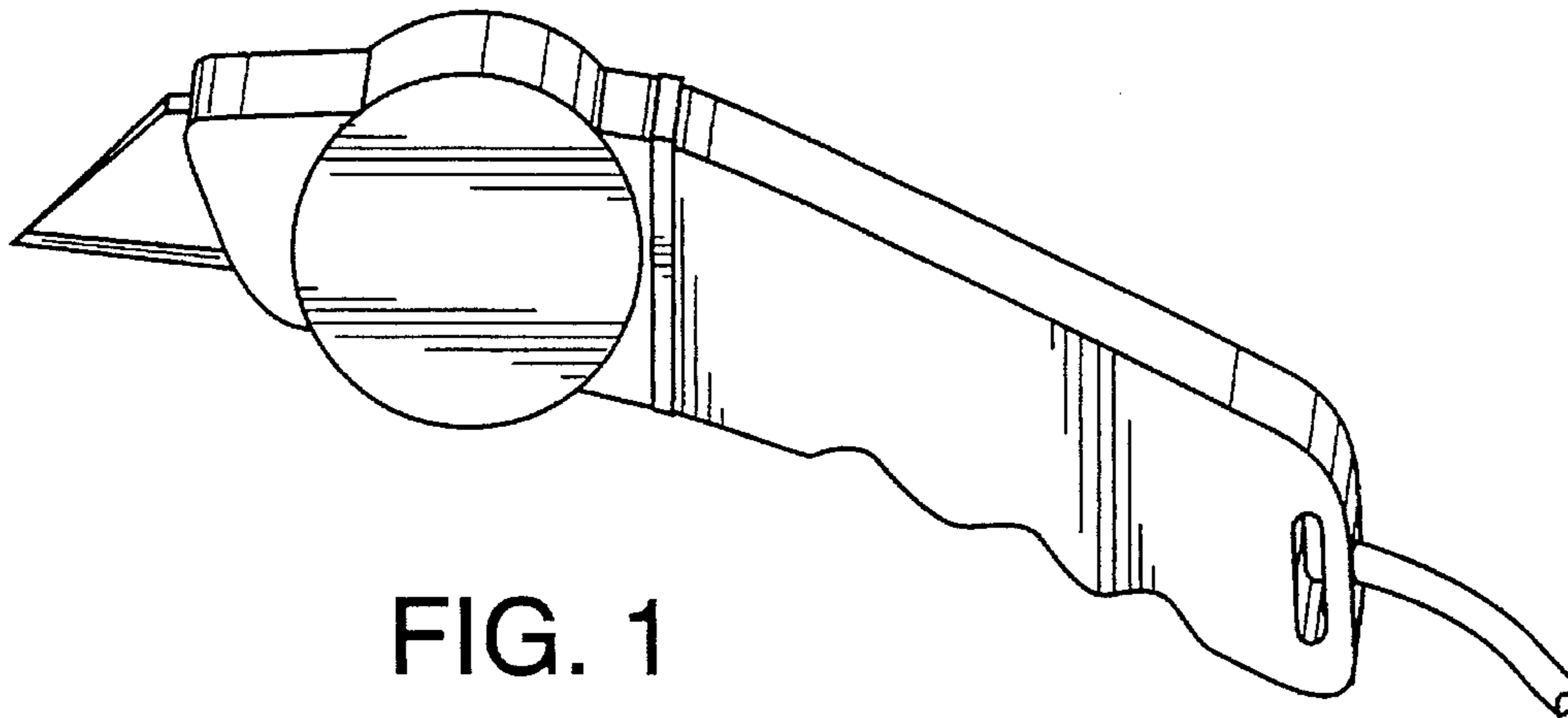


FIG. 1

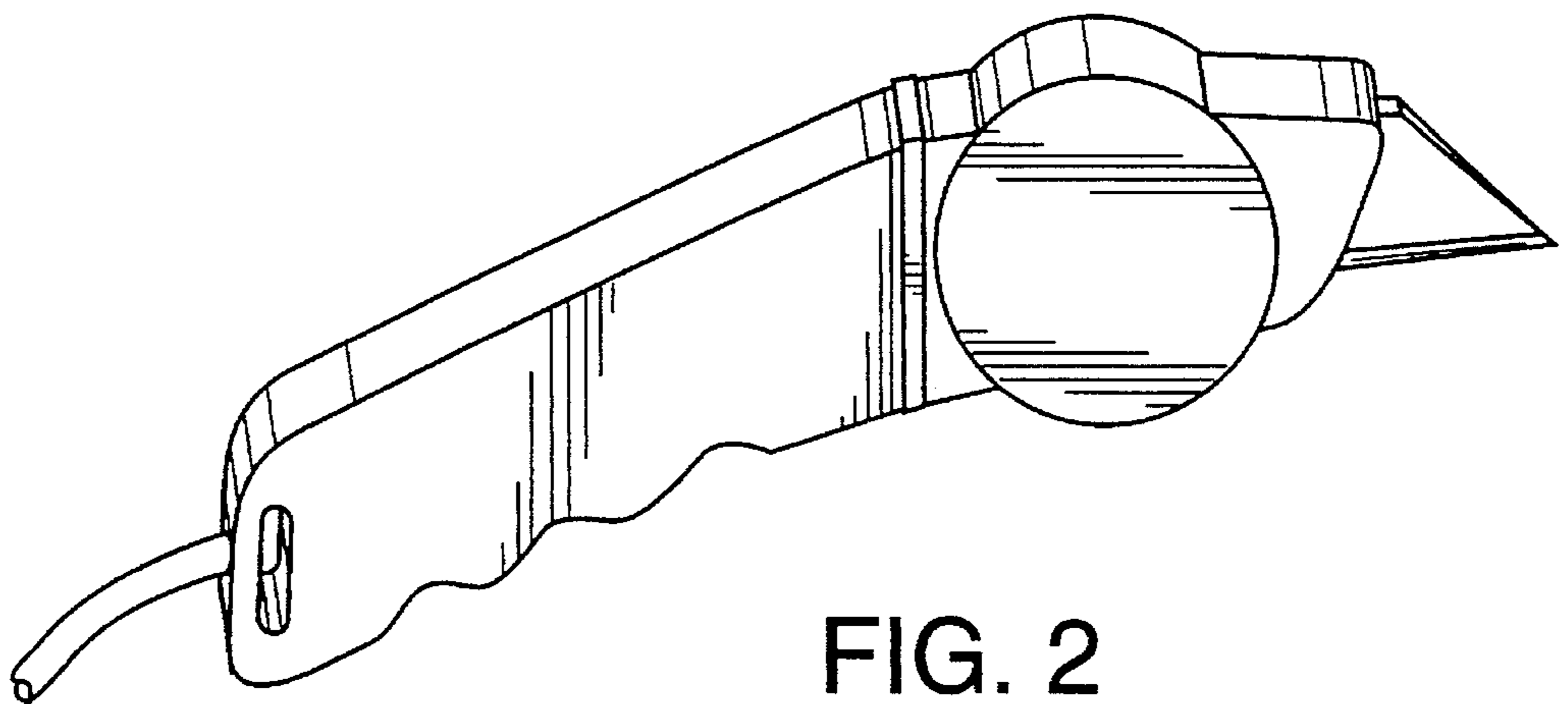


FIG. 2



FIG. 3



FIG. 4

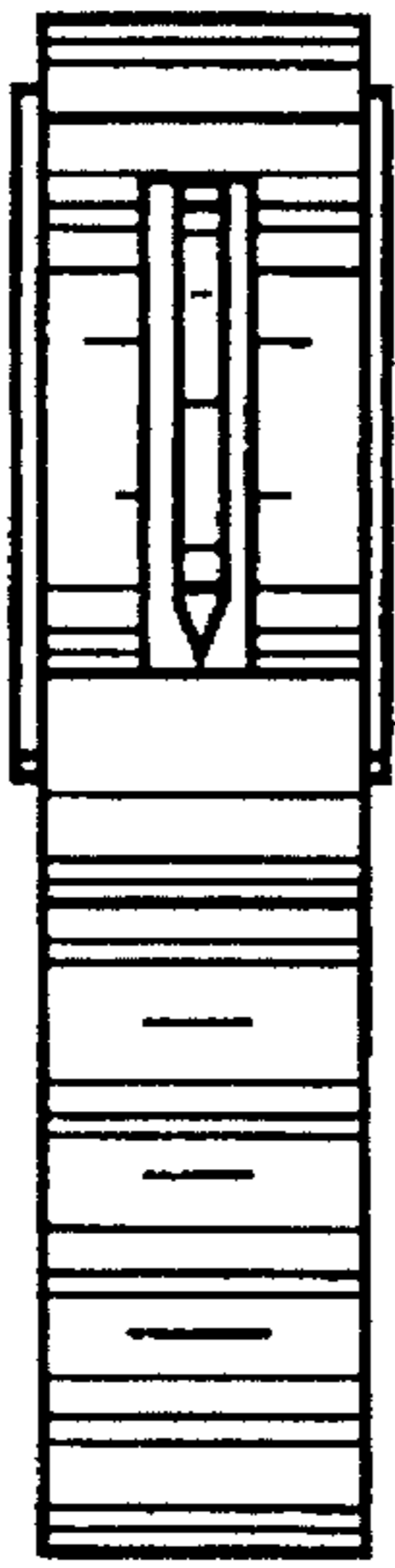


FIG. 5

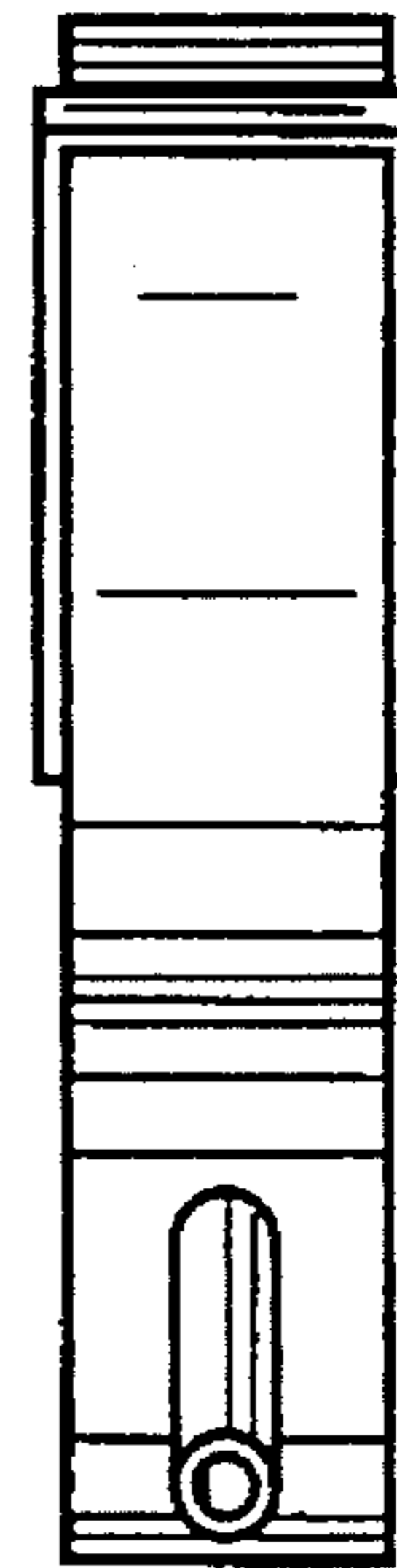


FIG. 6

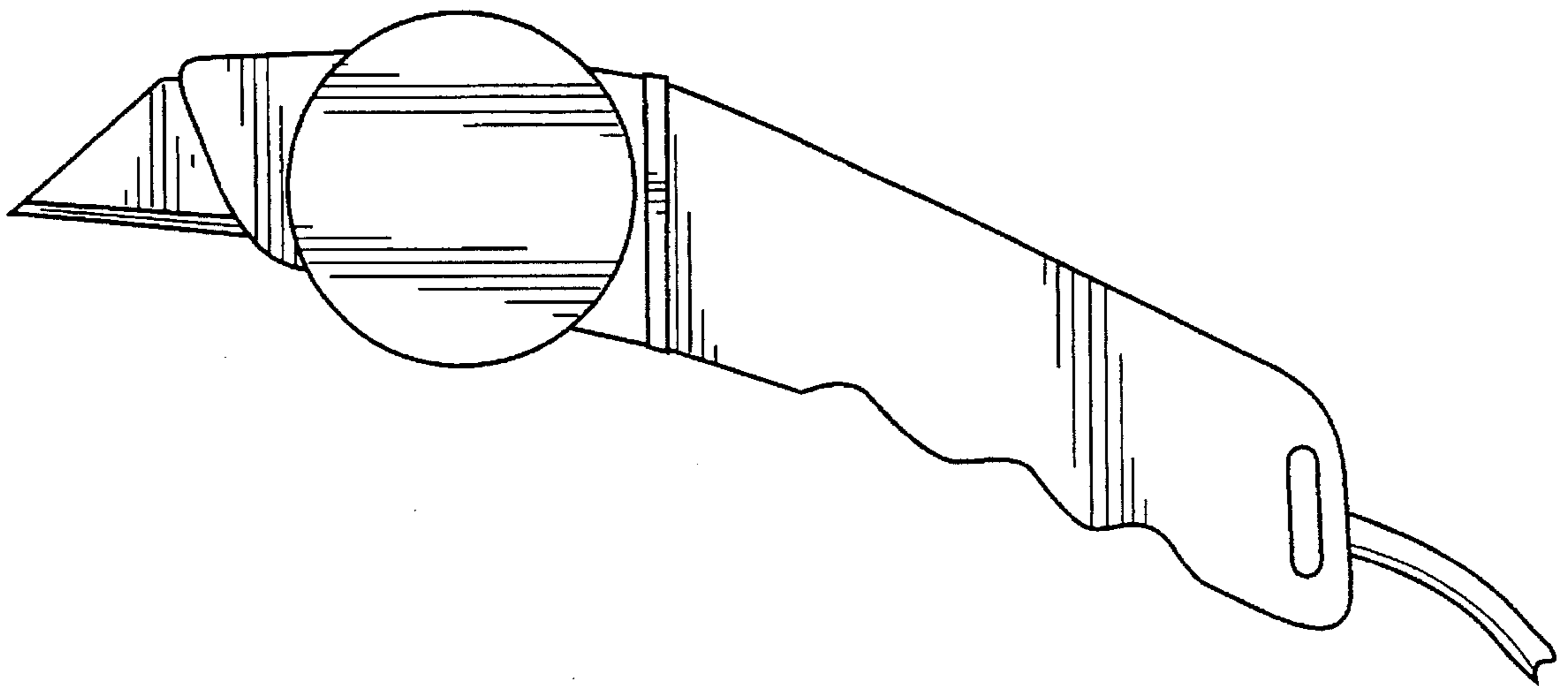


FIG. 7