



US00D376086S

United States Patent [19]
Hollingsworth

[11] **Patent Number:** **Des. 376,086**
[45] **Date of Patent:** ****Dec. 3, 1996**

[54] **TOOLHOLDER**

[76] **Inventor:** **Don A. Hollingsworth**, 10511 Keokuk Ave., Chatsworth, Calif. 91311

[**] **Term:** **14 Years**

[21] **Appl. No.:** **45,062**

[22] **Filed:** **Oct. 6, 1995**

[52] **U.S. Cl.** **D8/71**

[58] **Field of Search** D8/71, 373; D6/323, D6/553, 400; D15/140; 211/60.1, 70.6; 248/201, 217.3, 304, 312, 312.1, 315, 316.8

[56] **References Cited**

U.S. PATENT DOCUMENTS

D. 276,212	11/1984	Villanueva	D6/553
D. 282,704	2/1986	Burnett	D6/553
D. 318,391	7/1991	Greenhut et al.	D8/373
D. 344,967	3/1994	Webster	D8/373
D. 348,384	7/1994	Karsten	D8/373
D. 354,188	1/1995	Koehler	D6/553
769,846	9/1904	Stocker	248/312
1,665,881	11/1928	Steeves	248/312
2,017,786	10/1935	Coverdale et al.	248/312

2,142,019	12/1938	Warner	248/312
2,686,029	8/1954	Raymond	248/201
3,792,775	2/1974	Riddle et al.	248/201

Primary Examiner—James M. Gandy
Assistant Examiner—Robert M. Spear
Attorney, Agent, or Firm—Don A. Hollingsworth

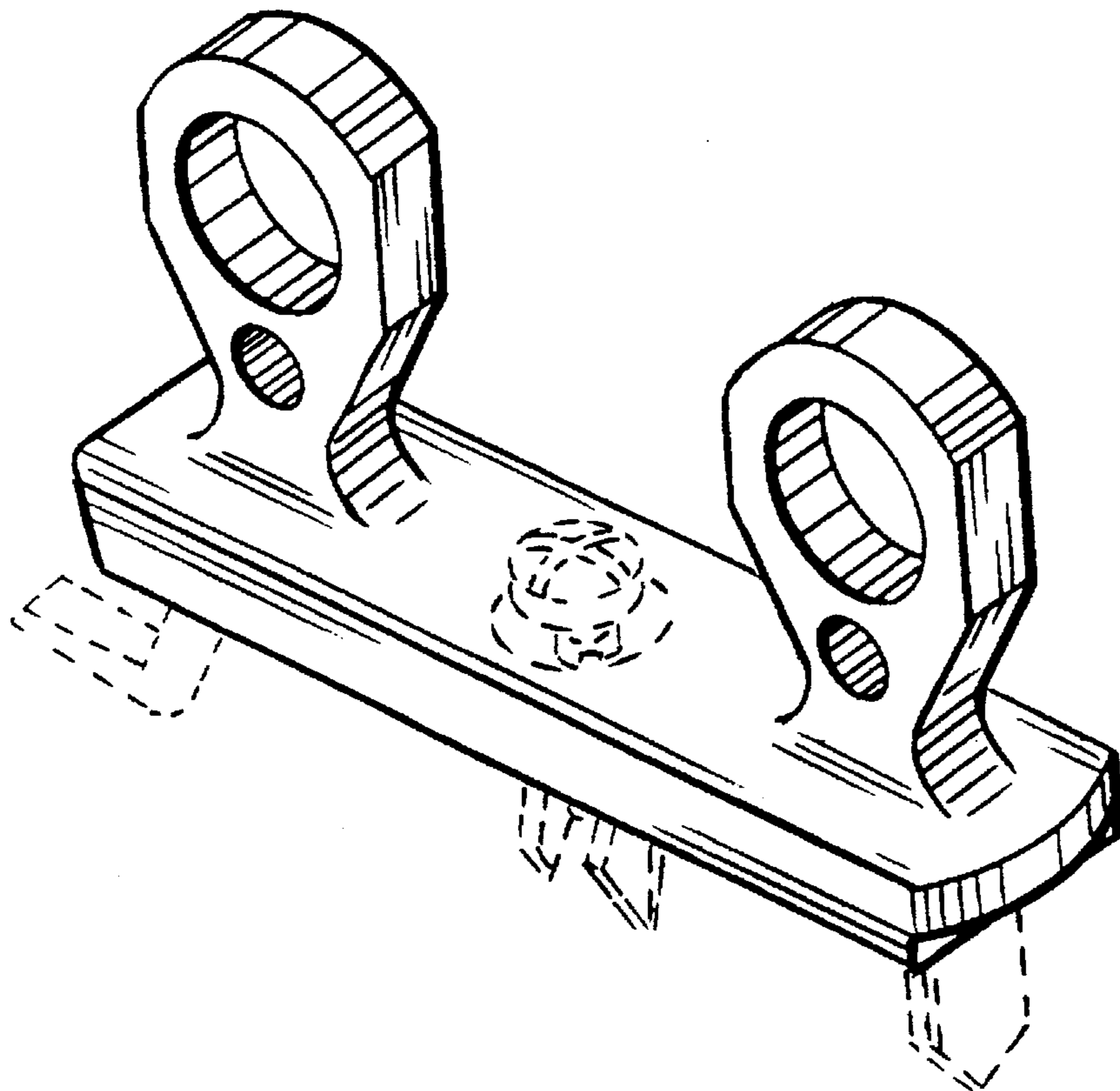
[57] **CLAIM**

The ornamental design for a toolholder, as shown and described.

DESCRIPTION

FIG. 1 is a front side perspective view of my new design; FIG. 2 is a top view thereof; FIG. 3 is a front side elevation view thereof, the rear side elevation view being a mirror image thereof; FIG. 4 is a bottom view thereof; FIG. 5 is a left side elevation view thereof; and, FIG. 6 is a right elevation side view thereof. The broken line showing of the toolholder mounting assembly is for illustrative purposes only and forms no part of the claimed design.

1 Claim, 1 Drawing Sheet



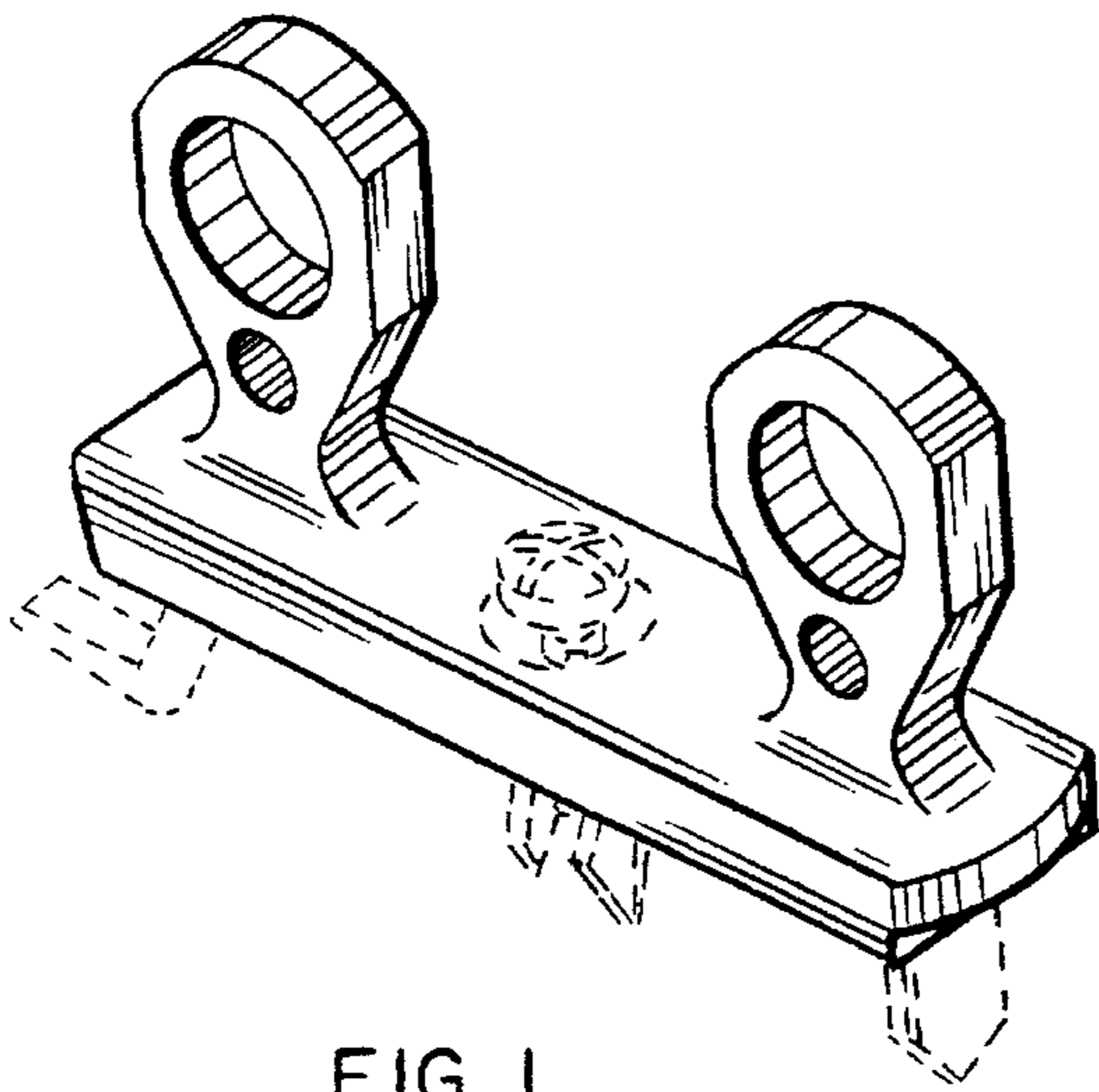


FIG. 1

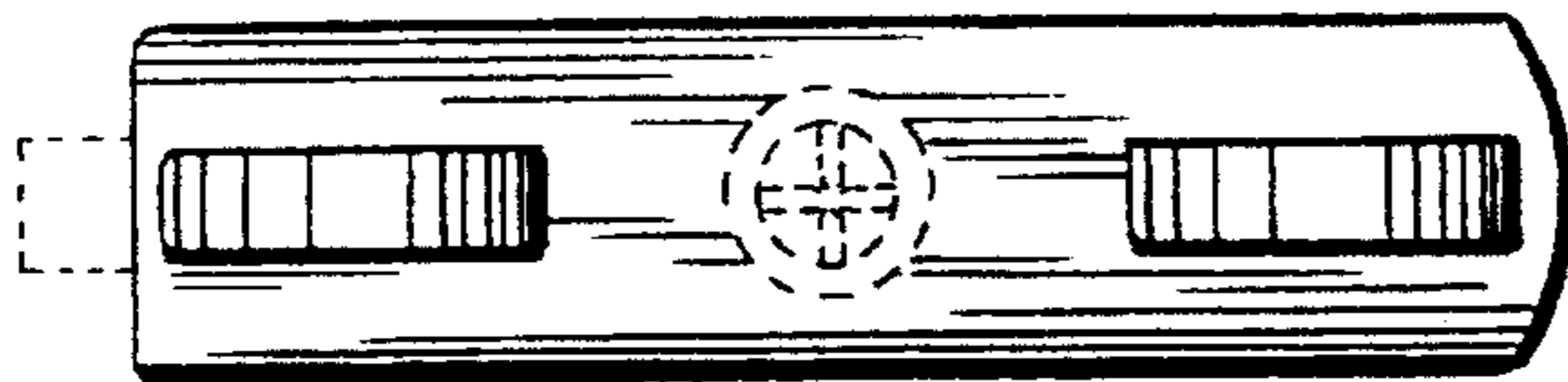


FIG. 2

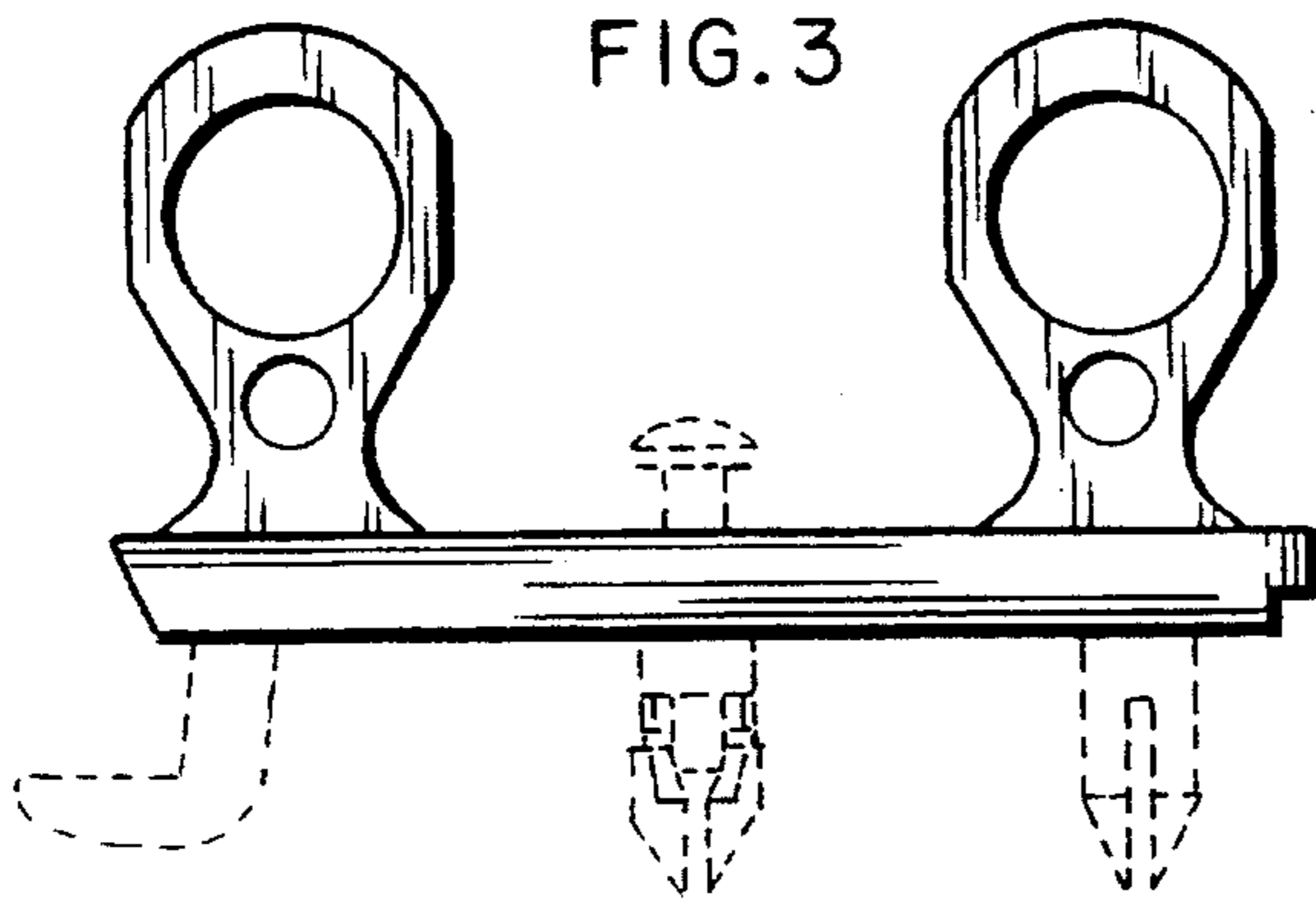


FIG. 3

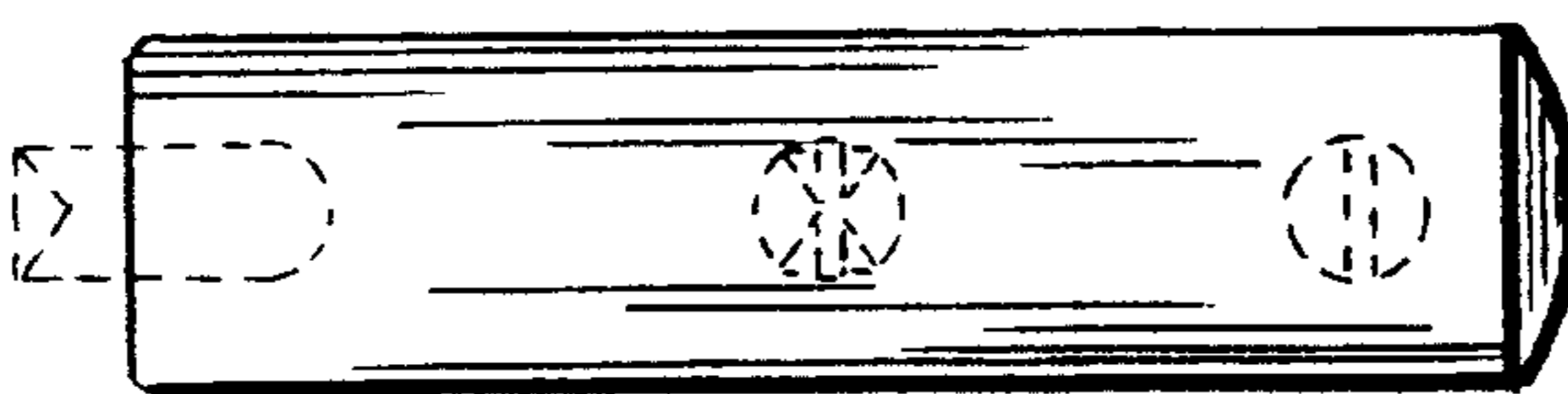


FIG. 4

FIG. 5

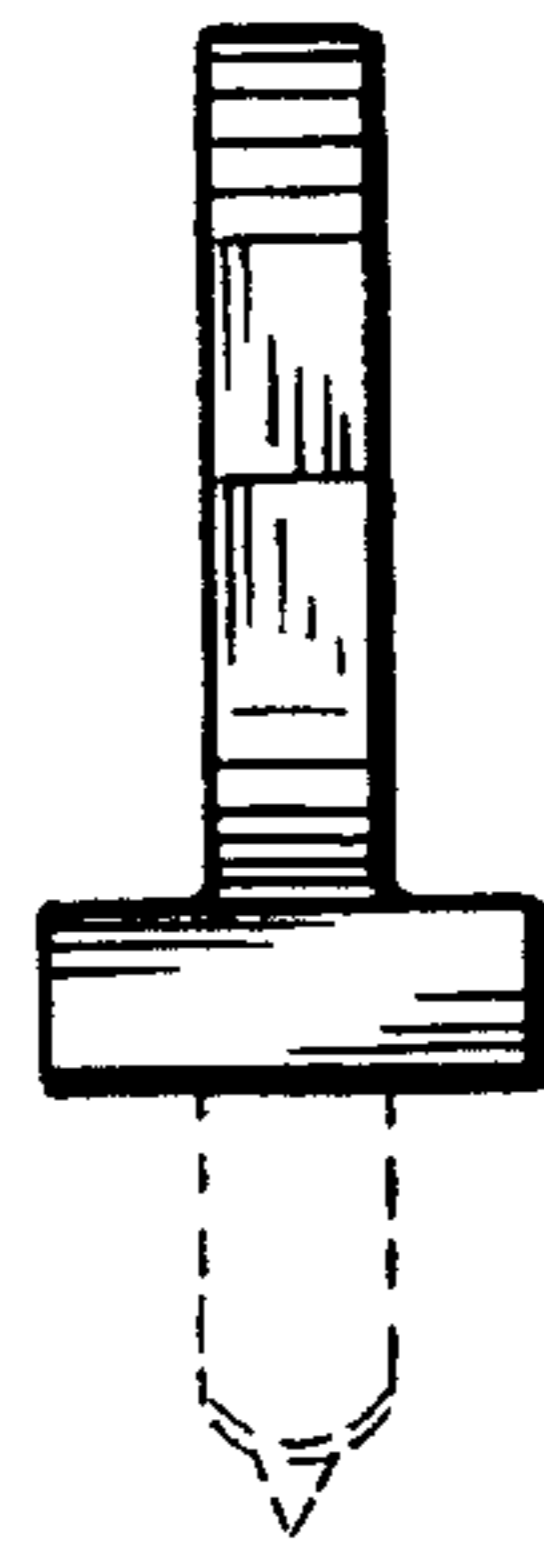


FIG. 6

