



US00D376085S

# United States Patent [19]

King, Jr.

[11] Patent Number: **Des. 376,085**

[45] Date of Patent: **\*\*Dec. 3, 1996**

[54] **TORCH FOOT WITH SQUARE MOUNT**

[76] Inventor: **Fate King, Jr.**, 329 Diamond St.,  
Mound City, Ill. 62963

[\*\*] Term: **14 Years**

[21] Appl. No.: **39,955**

[22] Filed: **Jun. 7, 1995**

[52] U.S. Cl. .... **D8/71; D8/354**

[58] Field of Search ..... **D8/71, 354; D6/400;**  
**D15/140; 72/481.1, 482.93; 81/DIG. 1;**  
**211/70.1, 70.6, 72; 248/121, 152, 176.1,**  
**176.2, 174, 300; 266/58, 66, 76, 77; 269/16;**  
**407/15, 66**

2,879,055	3/1959	Johnston .....	266/58
3,672,651	6/1972	Diepeveen .....	266/77
4,333,636	6/1982	Wajtkowicz .....	266/76
4,363,469	12/1982	Cruzan, II .....	266/77
4,549,725	10/1985	Carroll .....	266/76
4,681,233	7/1987	Roth .....	211/70.6
4,830,198	5/1989	Colquitt .....	211/70.6
5,344,108	9/1994	Heath .....	248/300
5,482,240	1/1996	Caraher .....	248/300

Primary Examiner—B. J. Bullock  
Assistant Examiner—Robert M. Spear  
Attorney, Agent, or Firm—Mathew R. P. Perrone, Jr.

### [57] CLAIM

The ornamental design for a torch foot with square mount, as shown and described.

### DESCRIPTION

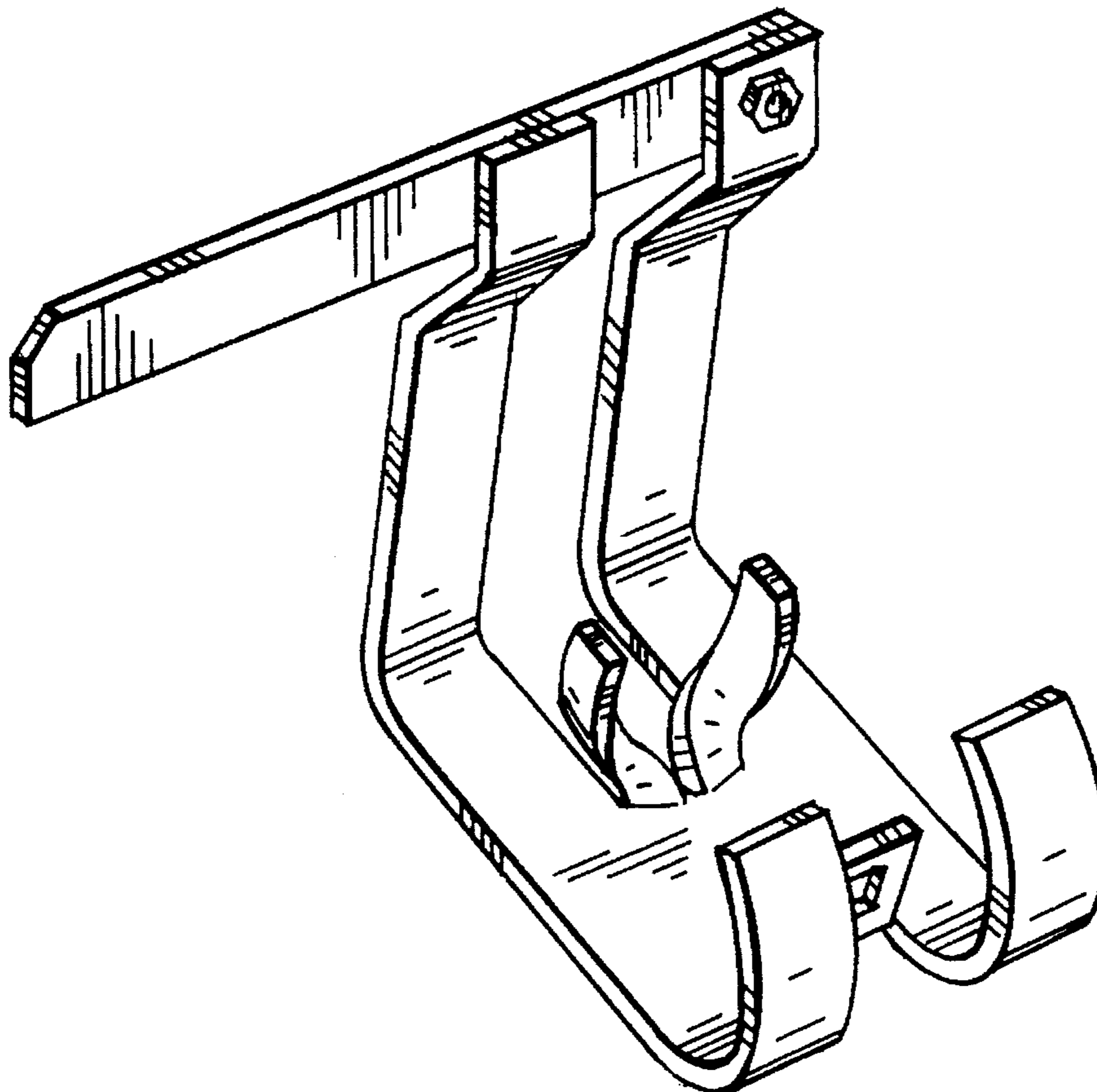
FIG. 1 is a front left perspective view of a torch foot with square mount, showing my new design;  
FIG. 2 is a right side elevational view thereof, the broken line showing of a cutting torch being for illustrative purposes only and forming no part of the claimed design;  
FIG. 3 is a top plan view thereof;  
FIG. 4 is a bottom plan view thereof;  
FIG. 5 is a front elevational view thereof; and,  
FIG. 6 is a rear elevational view thereof.

1 Claim, 2 Drawing Sheets

### [56] References Cited

#### U.S. PATENT DOCUMENTS

D. 31,665	10/1899	McKay .....	D8/354
D. 205,793	9/1966	Holmes .....	D8/354
D. 212,446	10/1968	McCarthy .....	D8/354
D. 218,015	7/1970	Symington .....	D8/354
D. 236,251	8/1975	Cunningham .....	D8/354
D. 285,045	8/1986	Mahoney .....	D8/354
D. 291,654	9/1987	Foster, Jr. ....	D8/354
D. 362,174	9/1995	Sachs .....	D8/354
2,534,958	12/1950	Deming .....	266/76
2,596,133	5/1952	Donahue et al. ....	266/77



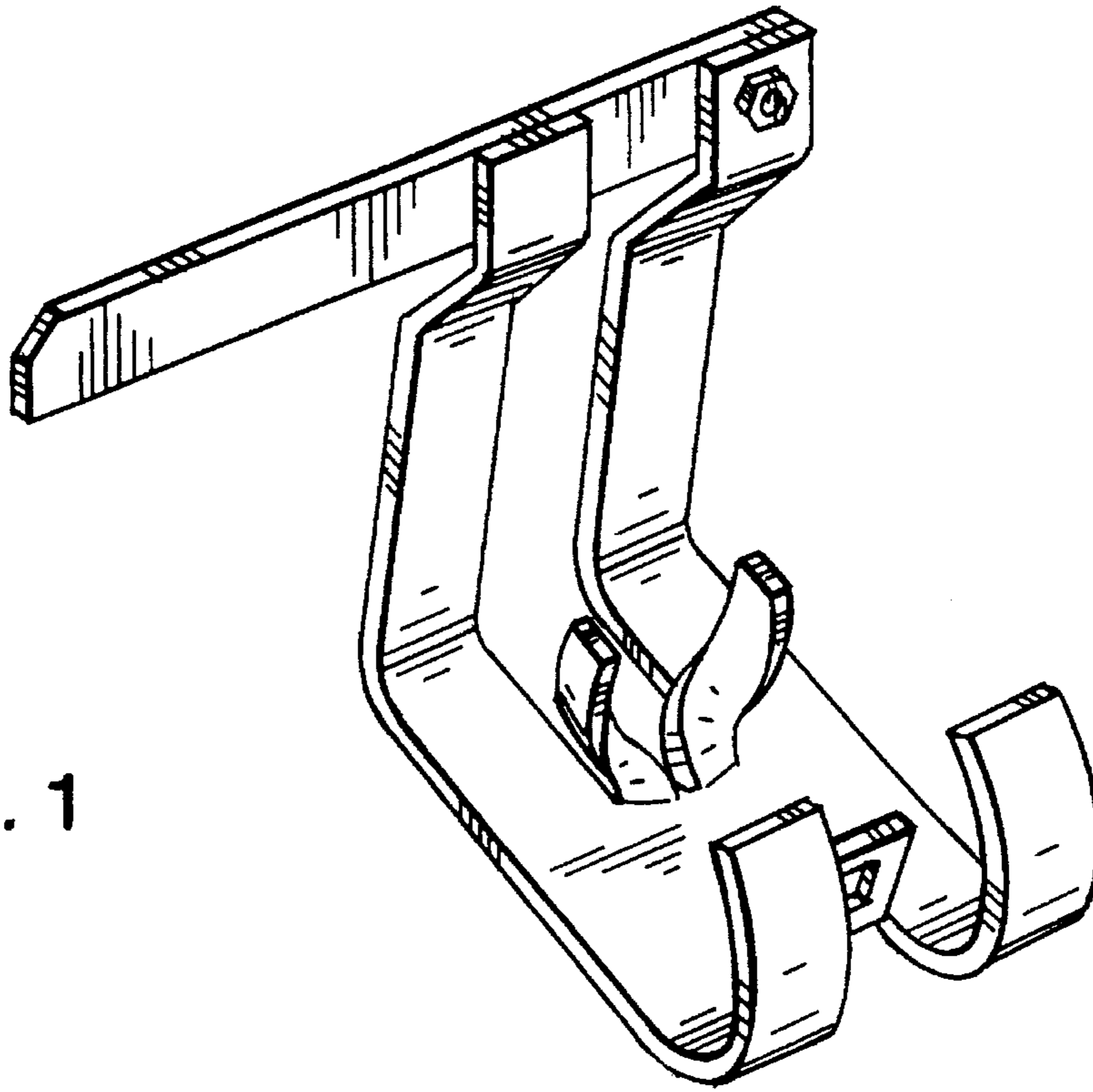


FIG. 1

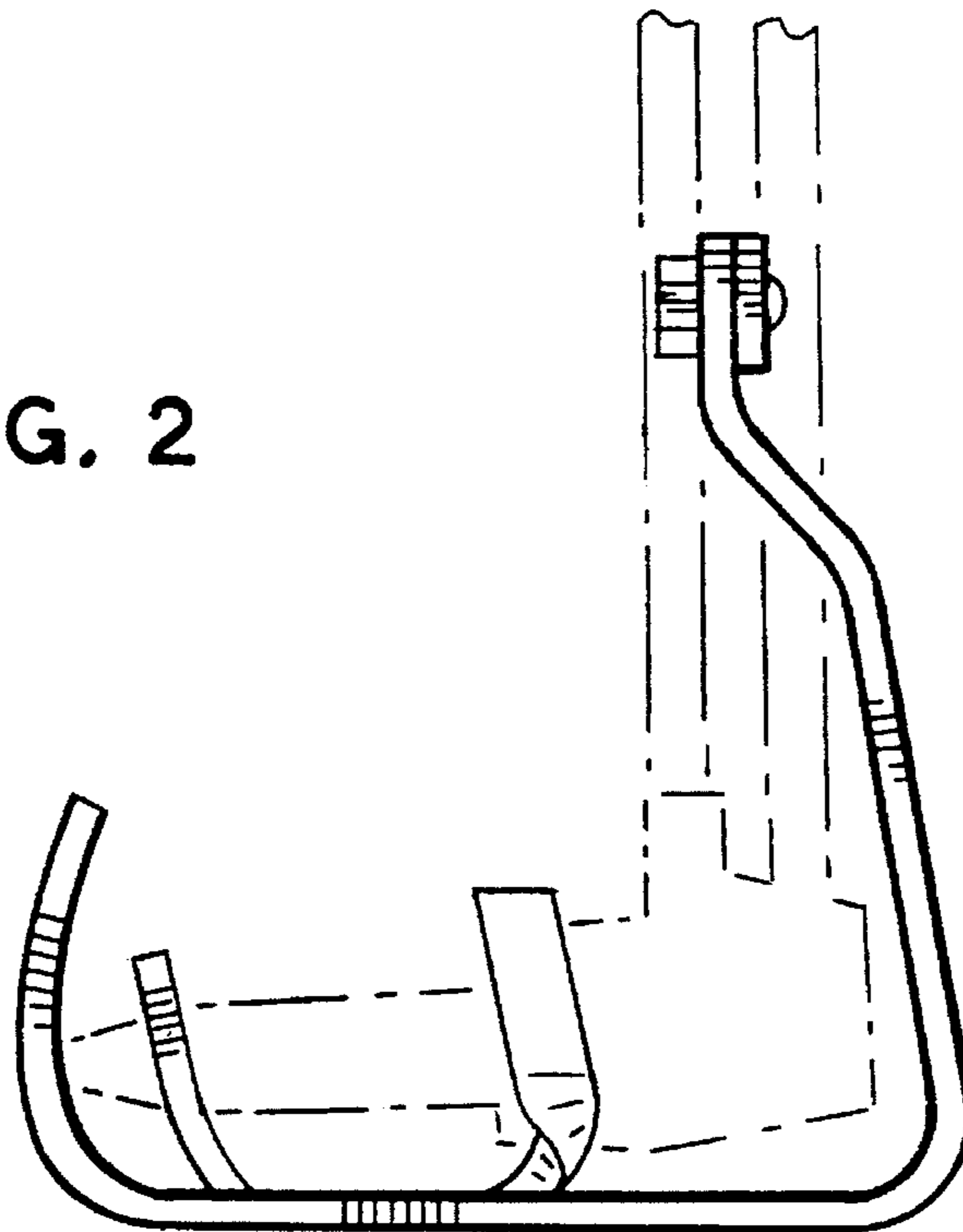


FIG. 2

FIG. 3

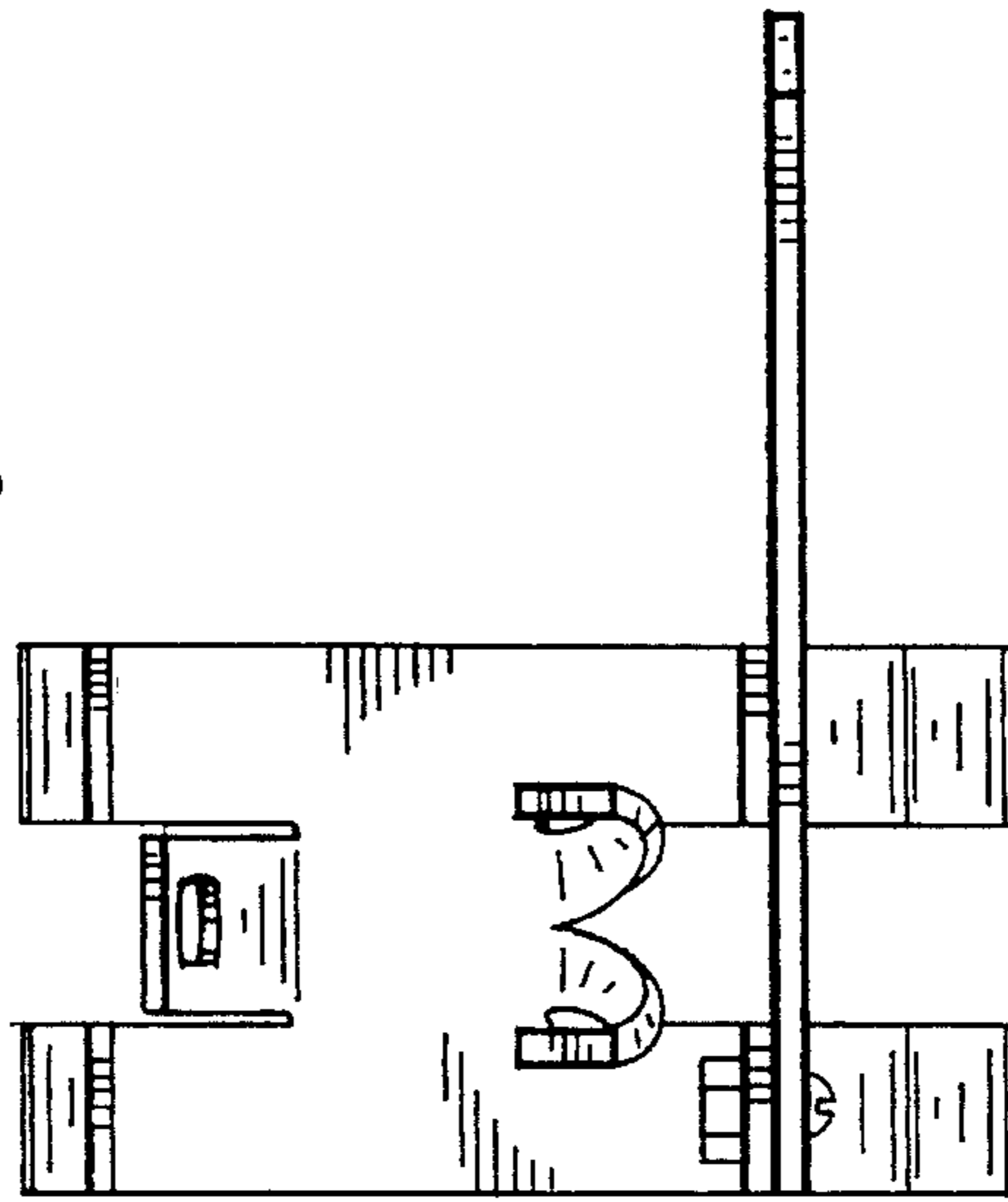


FIG. 4

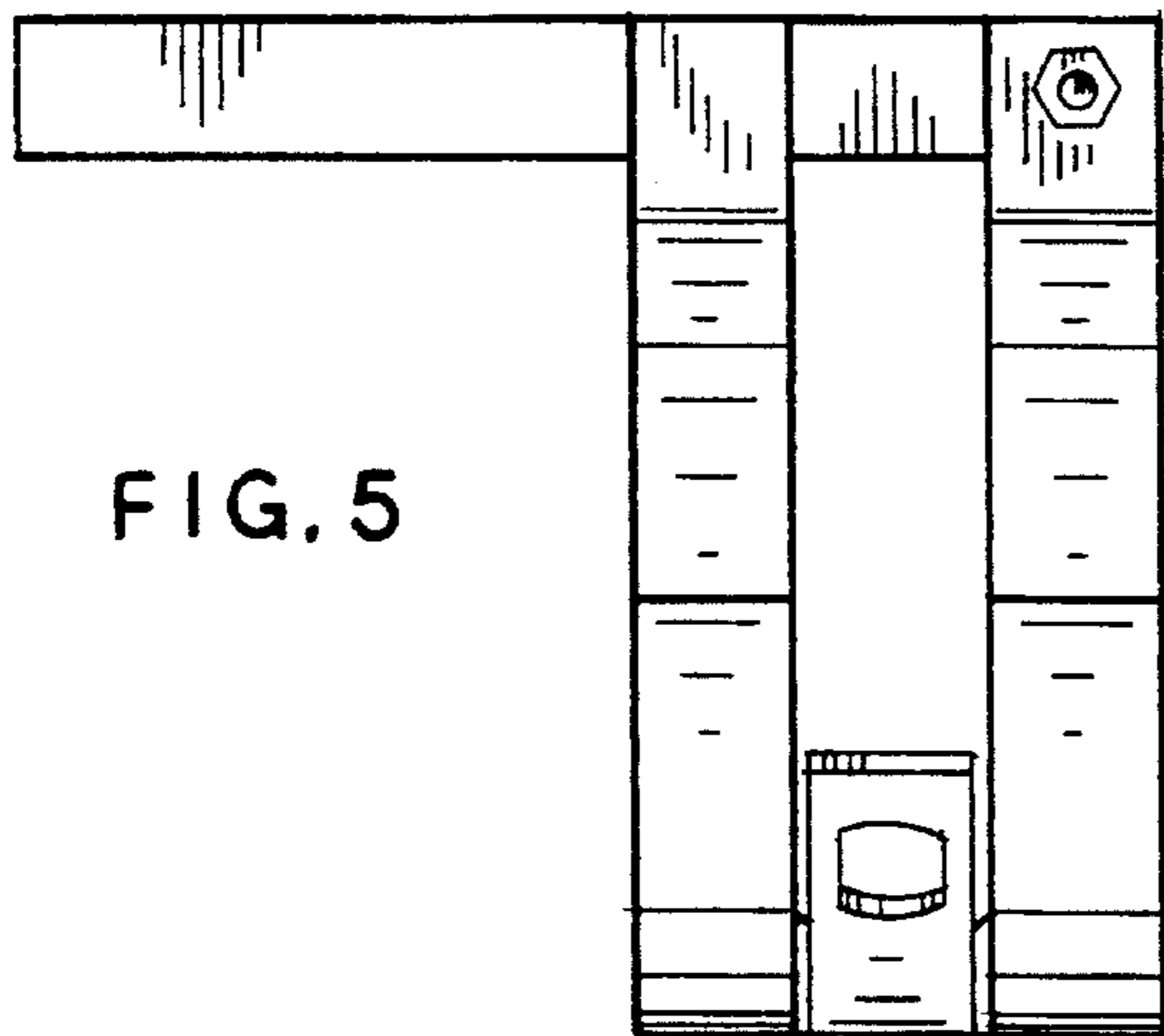
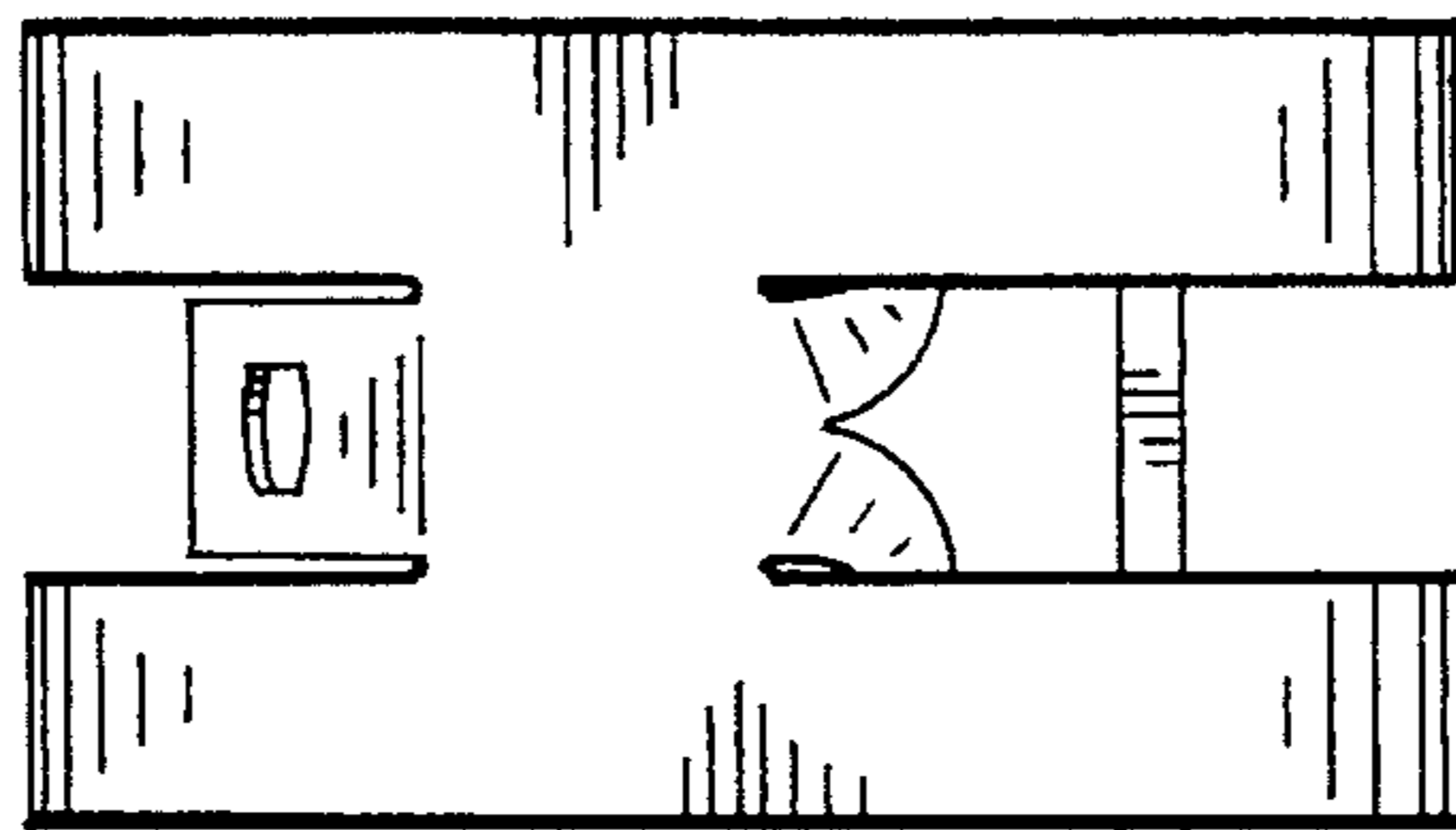


FIG. 5

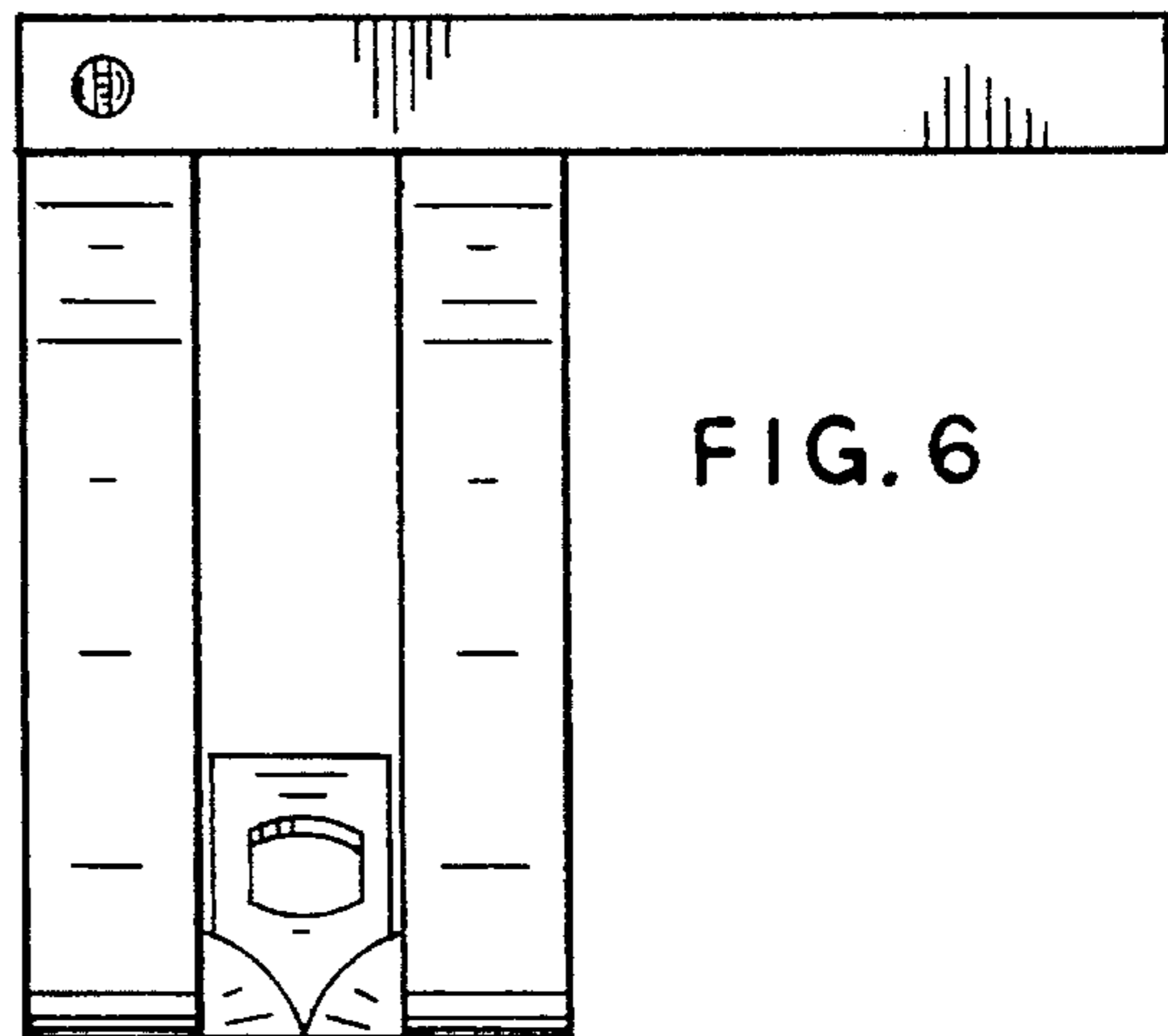


FIG. 6