



US00D376082S

United States Patent [19]

Adler et al.

[11] Patent Number: **Des. 376,082**

[45] Date of Patent: ****Dec. 3, 1996**

[54] **TOOL FOR TERMINATING AN ELECTRICAL CONNECTOR**

5,152,051 10/1992 Folk et al. 29/758
5,277,051 1/1994 Liu 72/410

[75] Inventors: **Kevin M. Adler**, Palmyra; **Anthony A. Staub**, York, both of Pa.

OTHER PUBLICATIONS

Instructions for MS² ® Modular System Splicing , pp. 5 and 7, 3M Company, dated May 1990.

[73] Assignee: **The Whitaker Corporation**, Wilmington, Del.

Primary Examiner—Philip S. Hyder

[**] Term: **14 Years**

[57] CLAIM

[21] Appl. No.: **35,561**

The ornamental design for a tool for terminating an electrical connector, as shown and described.

[22] Filed: **Mar. 2, 1995**

DESCRIPTION

[52] U.S. Cl. **D8/51**

[58] Field of Search D8/51, 52; 72/404, 72/409, 410, 385; 29/751, 747, 758

FIG. 1 is a front and upper right perspective view of a tool for terminating an electrical connector showing my new design;

FIG. 2 is a front view thereof;

FIG. 3 is a rear view thereof;

FIG. 4 is a top plan view thereof;

FIG. 5 is a bottom plan view thereof;

FIG. 6 is a right side elevational view thereof;

FIG. 7 is a left side elevational view thereof; and,

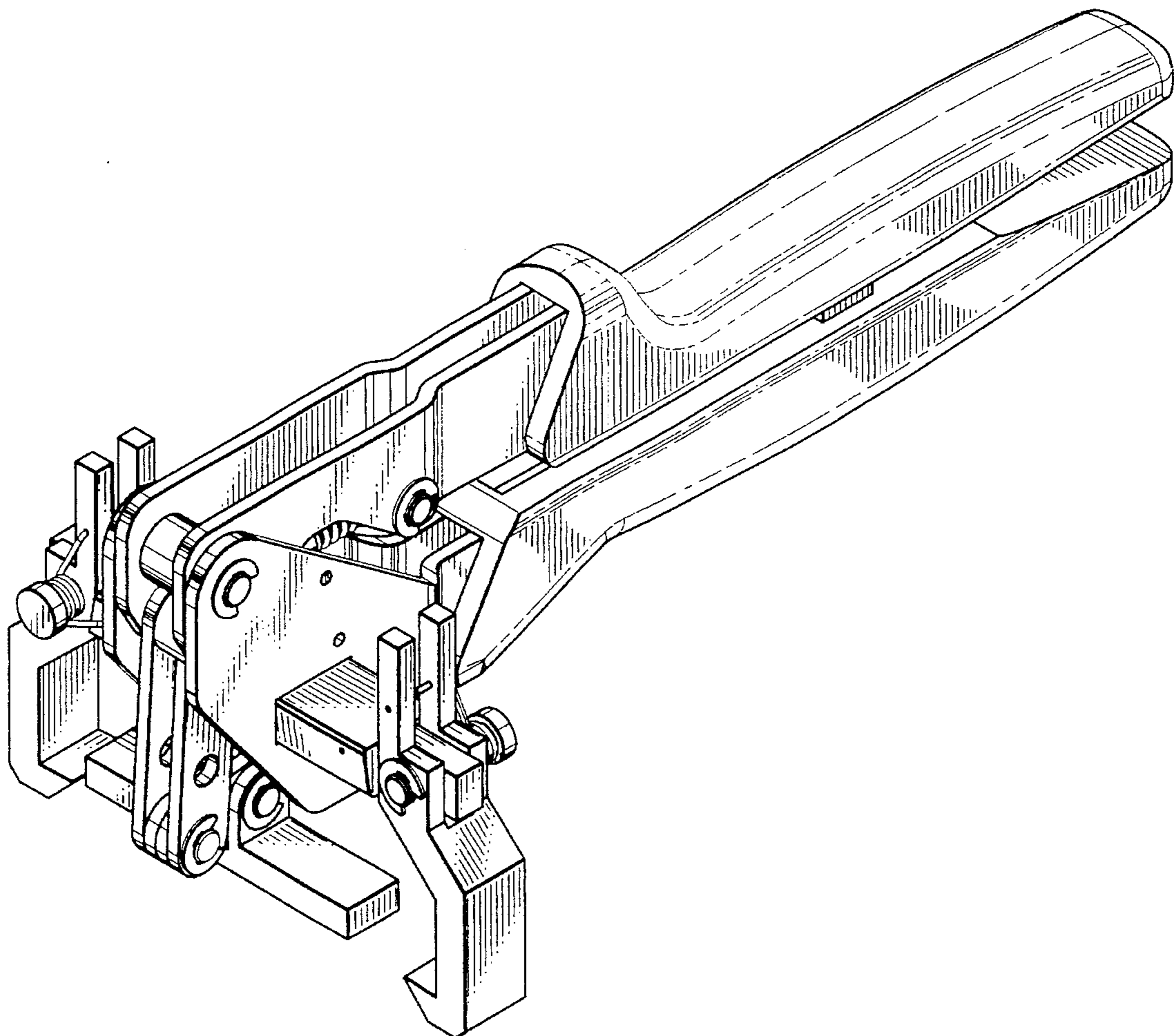
FIG. 8 is a bottom and lower left perspective view thereof.

[56] References Cited

U.S. PATENT DOCUMENTS

D. 239,498	4/1976	Wiener	D8/52
D. 282,624	2/1986	Hartmeister	D8/52
D. 301,965	7/1989	Nilsson	D8/52
3,075,198	1/1963	Over	72/409
4,240,280	12/1980	Foslien	72/410
5,125,259	6/1992	Meyer et al.	72/409

1 Claim, 7 Drawing Sheets



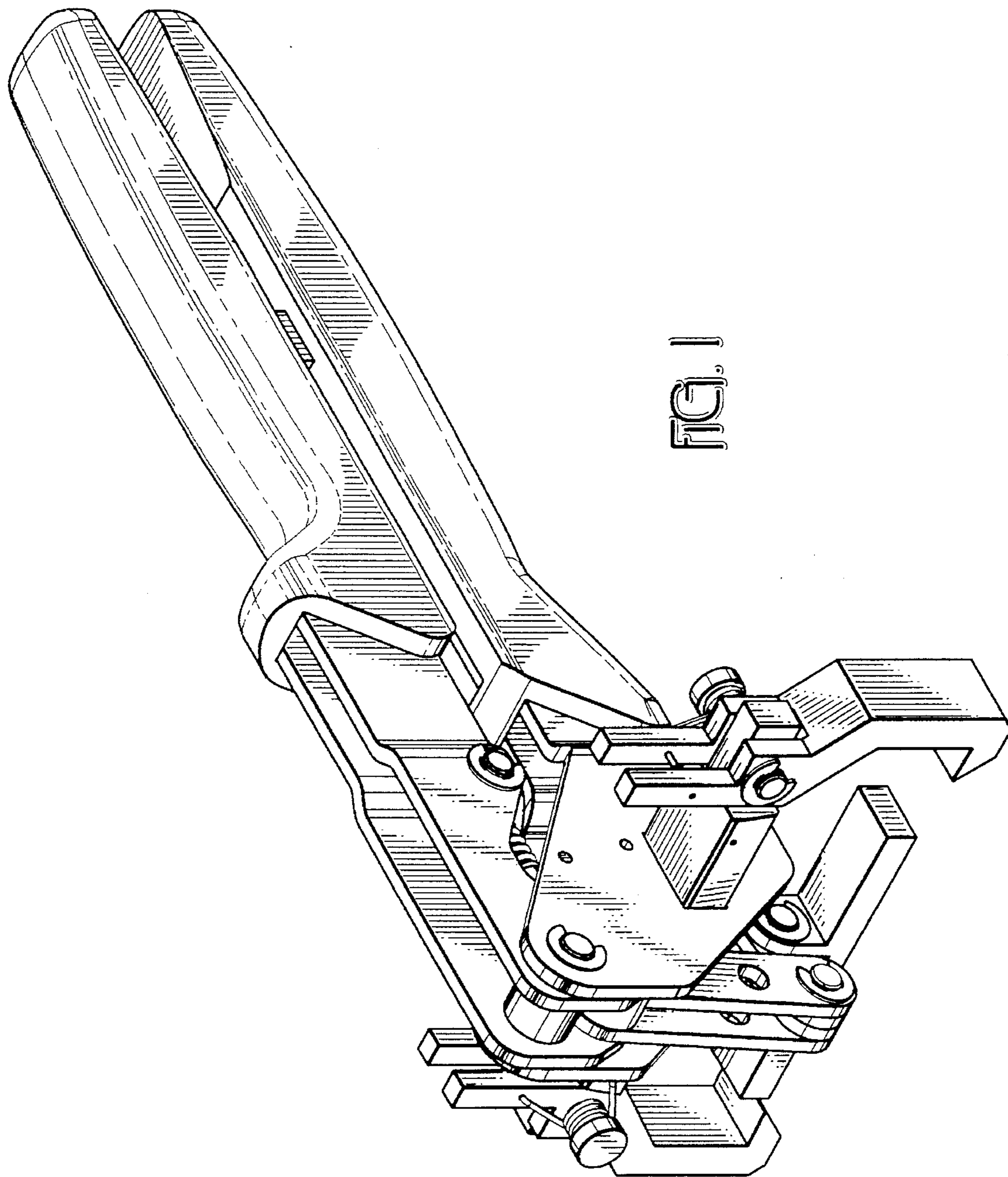


FIG. 1

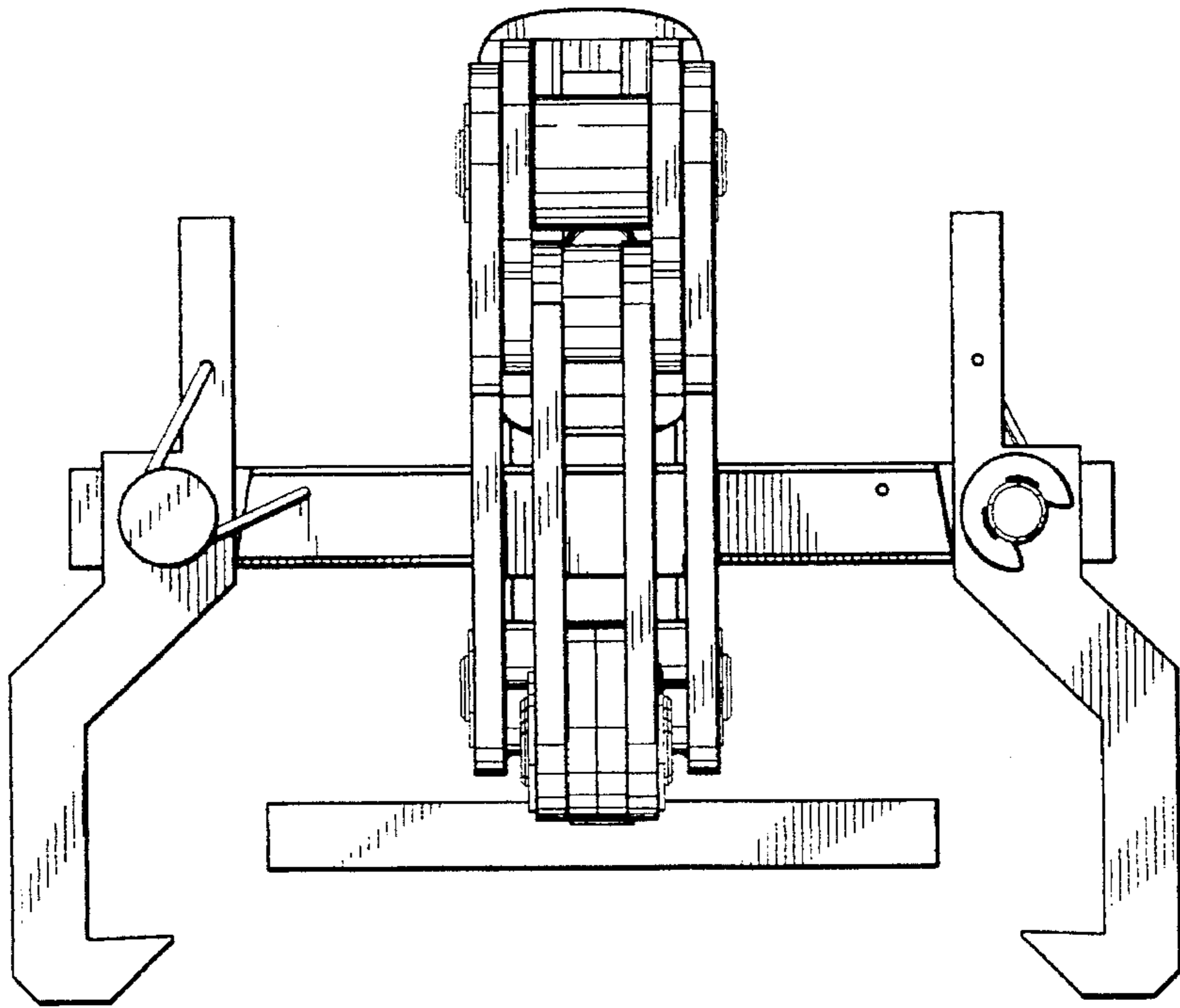


FIG. 2

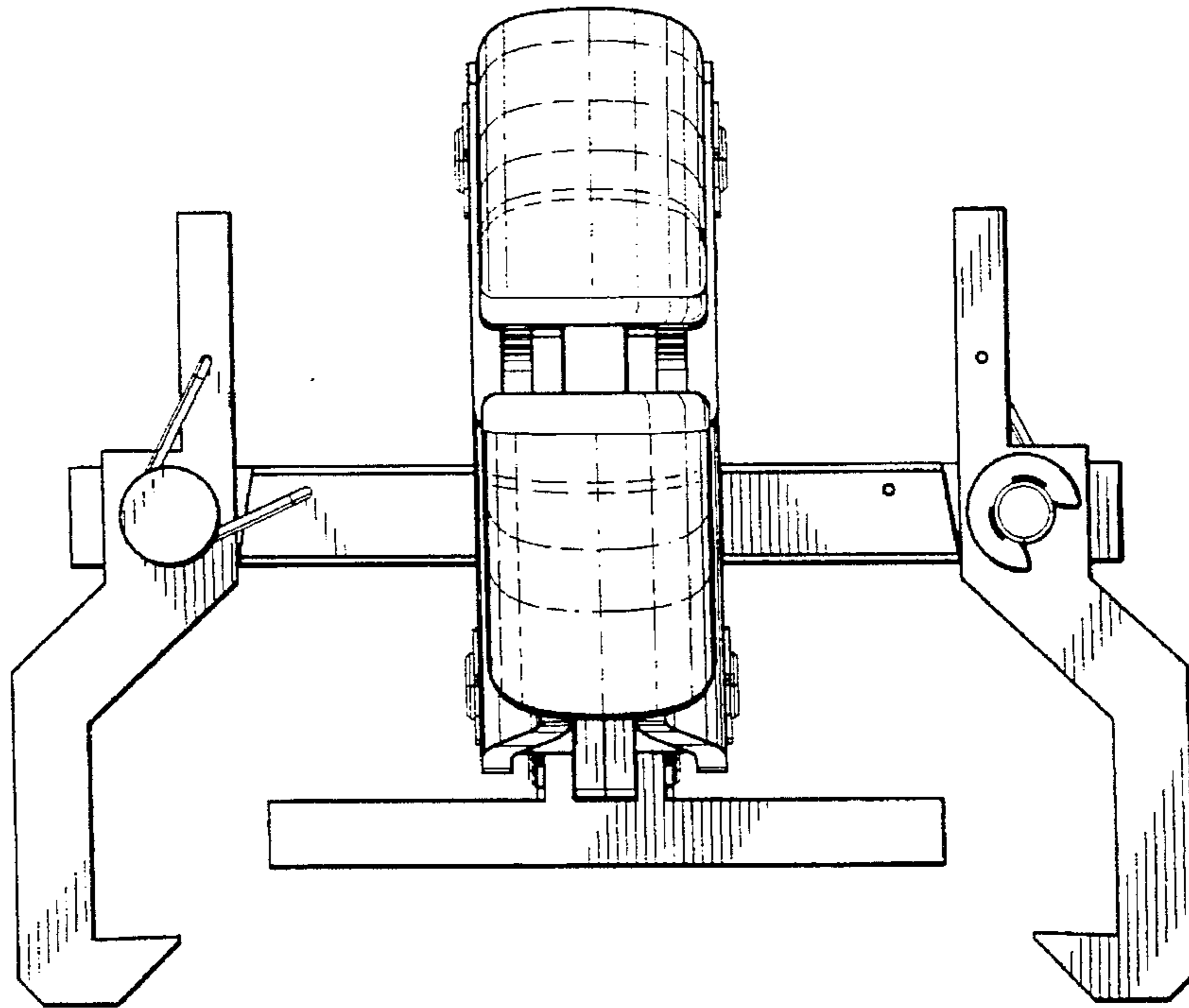


FIG. 3

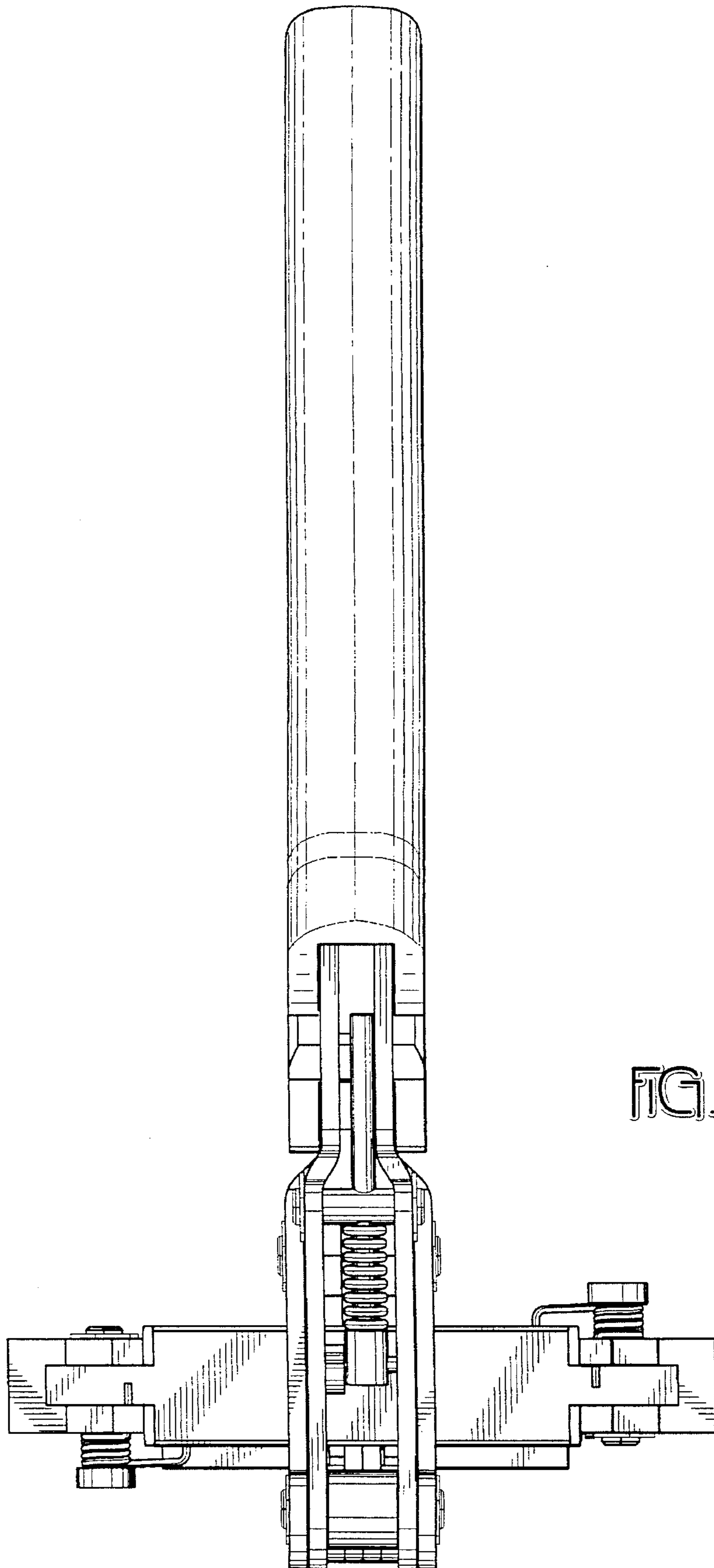


FIG. 4

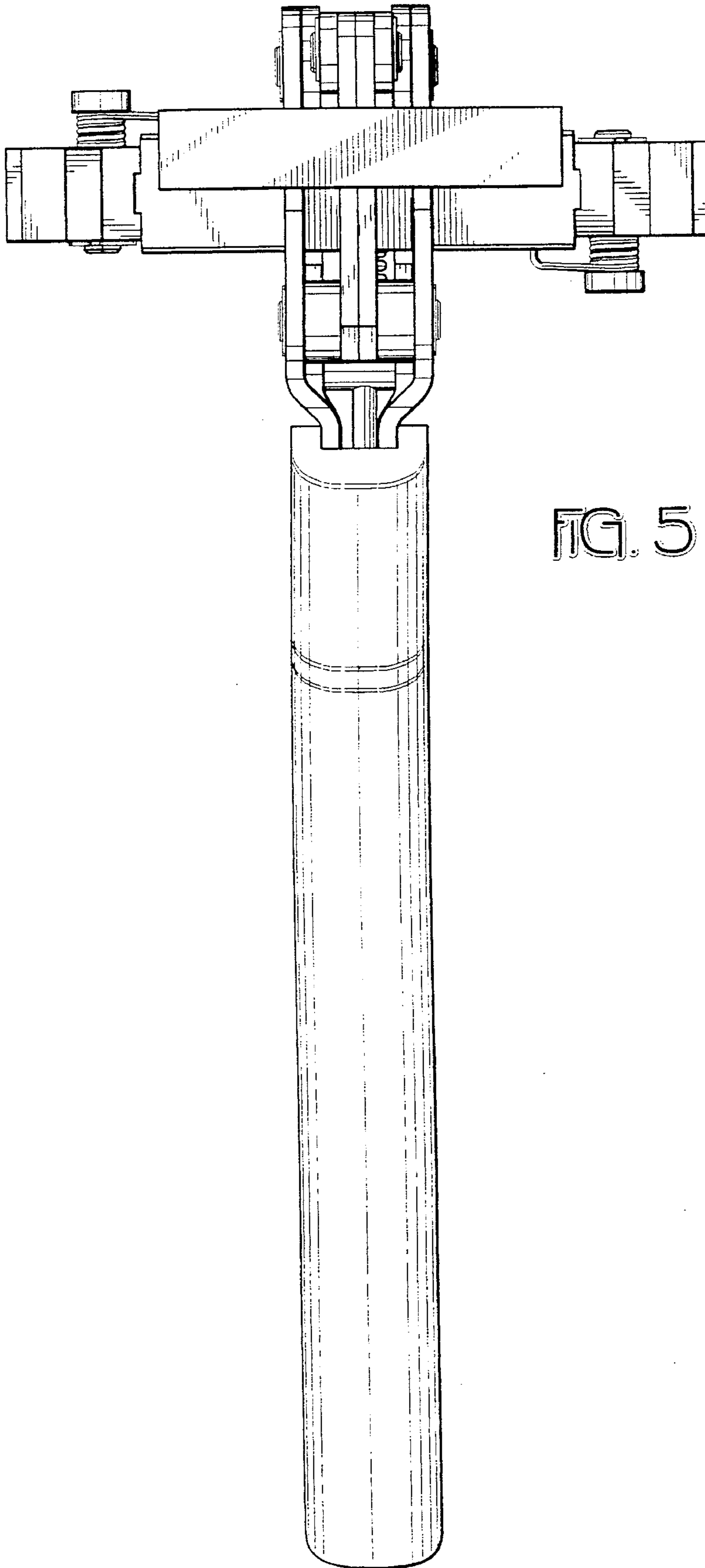


FIG. 5

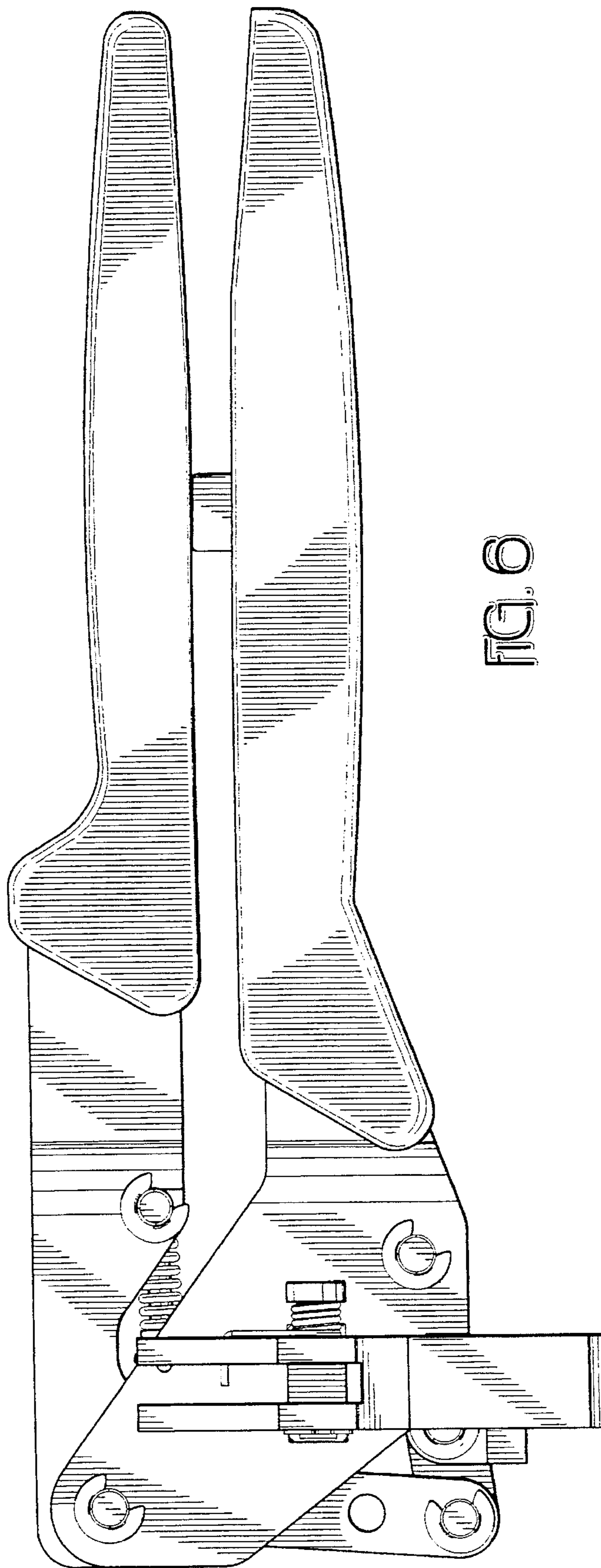


FIG. 6

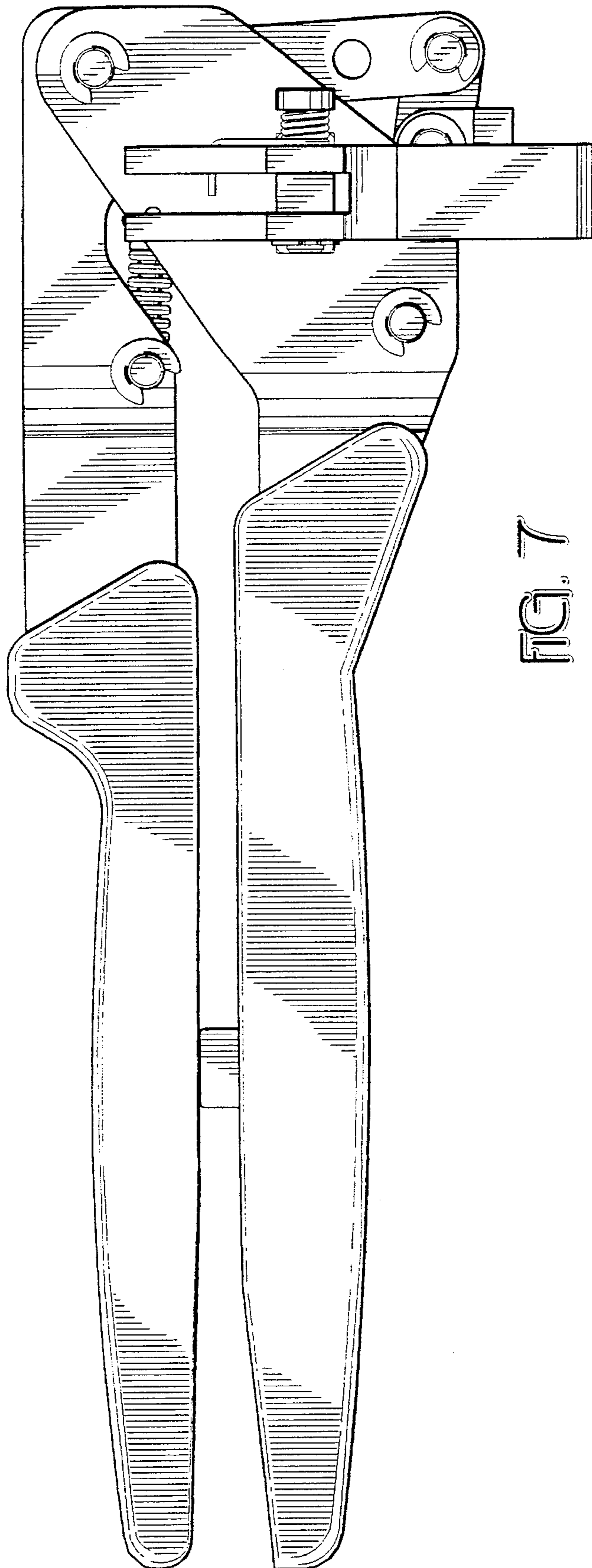


FIG. 7

