



US00D376077S

**United States Patent** [19]  
**Basek**

[11] **Patent Number: Des. 376,077**

[45] **Date of Patent: \*\*Dec. 3, 1996**

[54] **LAWN EDGER**

D. 274,687 7/1984 Hass ..... D8/7

D. 305,604 1/1990 Keblbek ..... D8/7

4,437,523 3/1984 Isbell ..... 30/315 X

[75] Inventor: **Charles Basek**, Oakville, Canada

[73] Assignee: **Lawn Claw International Inc.**,  
Barbados, Barbados

*Primary Examiner*—Brian N. Vinson  
*Attorney, Agent, or Firm*—John C. Hunt

[\*\*] Term: **14 Years**

[57] **CLAIM**

The ornamental design for a lawn edger, as shown.

[21] Appl. No.: **42,432**

**DESCRIPTION**

[22] Filed: **Aug. 10, 1995**

[52] **U.S. Cl.** ..... **D8/7**

[58] **Field of Search** ..... D8/10, 7, 9, 11;  
294/49, 53.5, 50.7; 30/165, 272.1, 275,  
314, 315

FIG. 1 is a perspective view of a lawn edger showing my new design;

FIG. 2 is a front elevational view;

FIG. 3 is a top plan view;

FIG. 4 is a bottom plan view;

FIG. 5 is a left side elevational view; and,

FIG. 6 is a right side elevational view.

[56] **References Cited**

**U.S. PATENT DOCUMENTS**

D. 274,117 6/1984 Lapps ..... D8/7

**1 Claim, 3 Drawing Sheets**

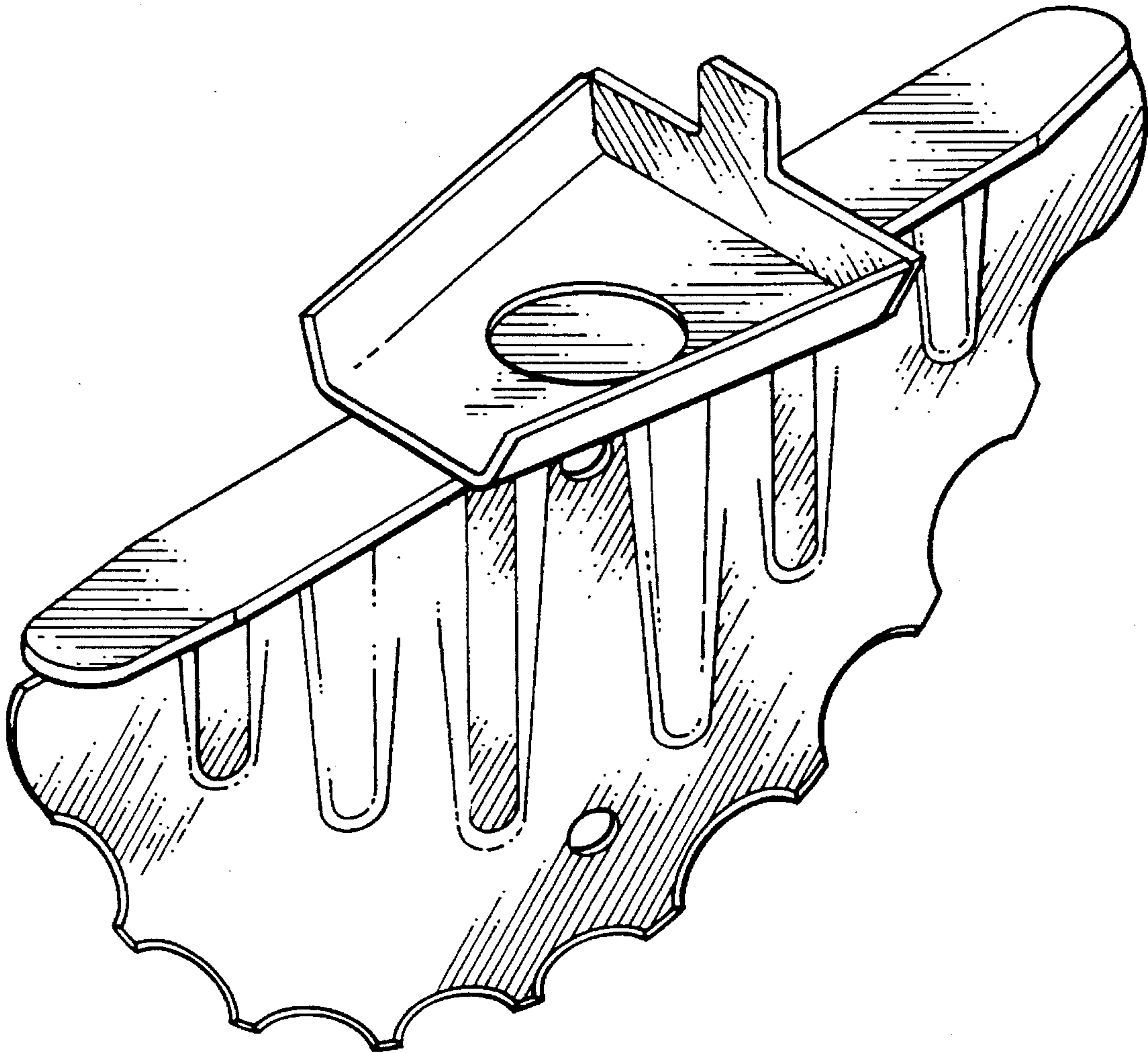
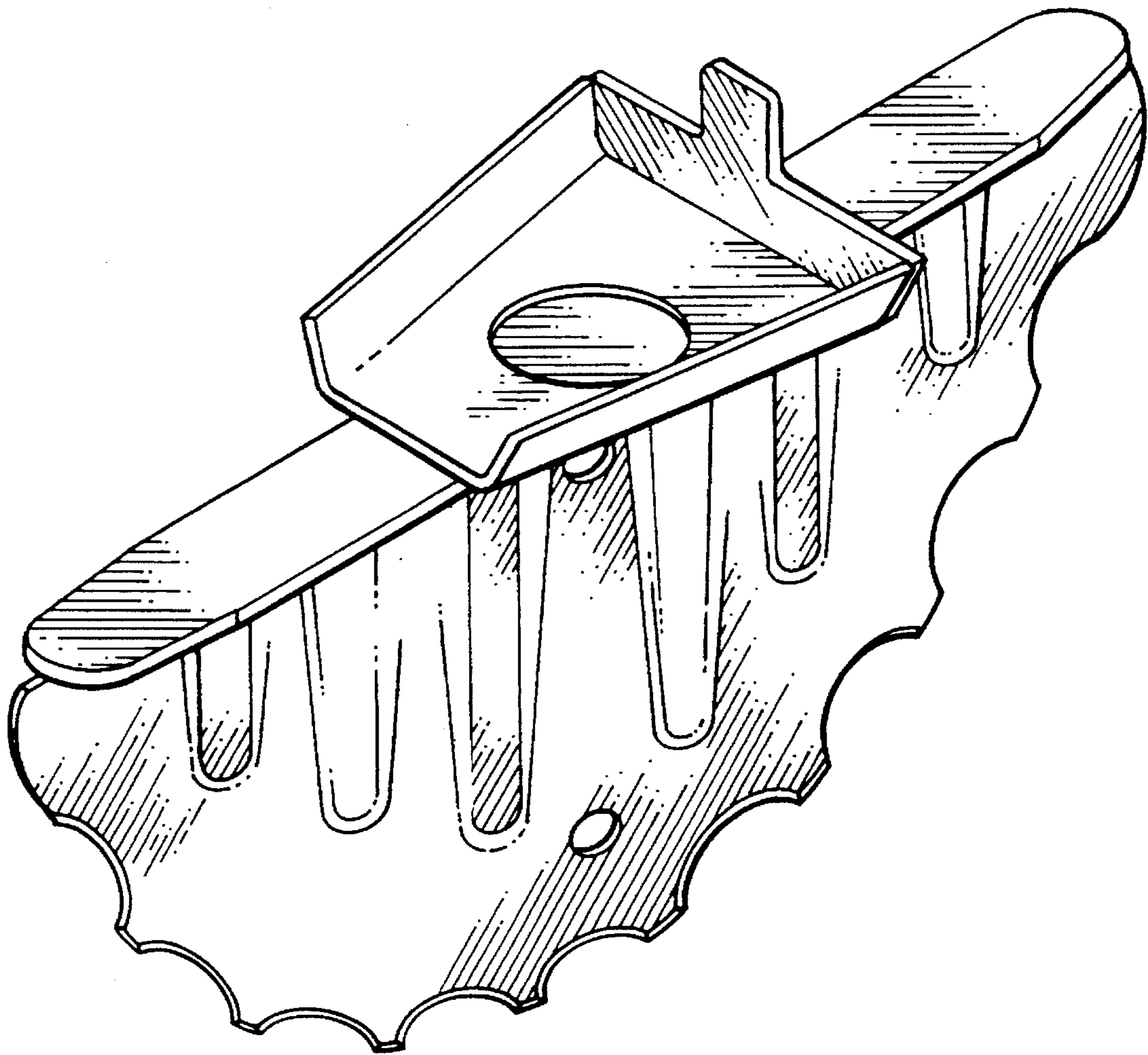


FIG. 1



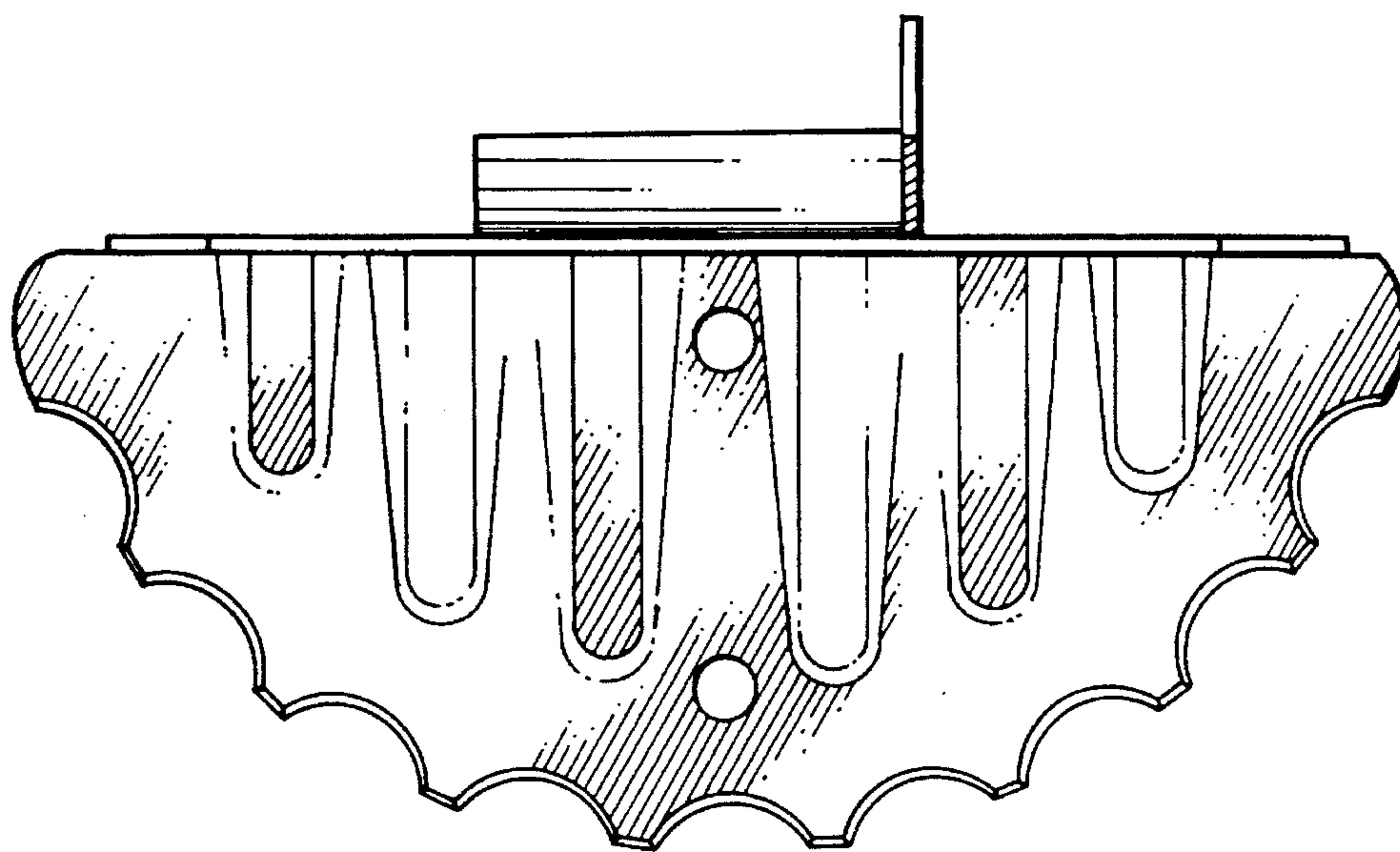


FIG. 2

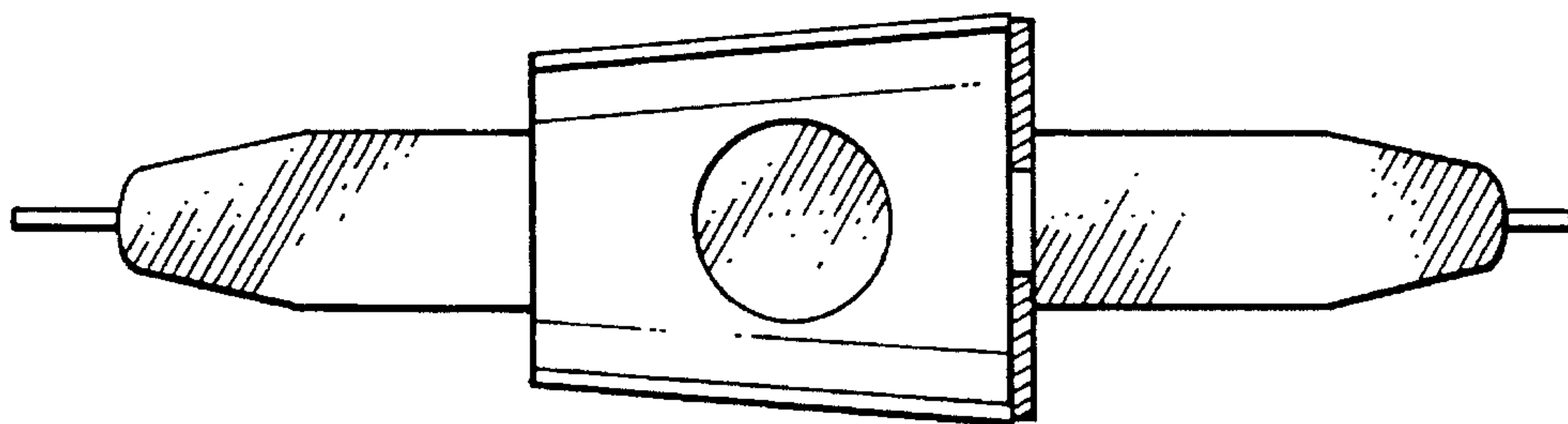


FIG. 3

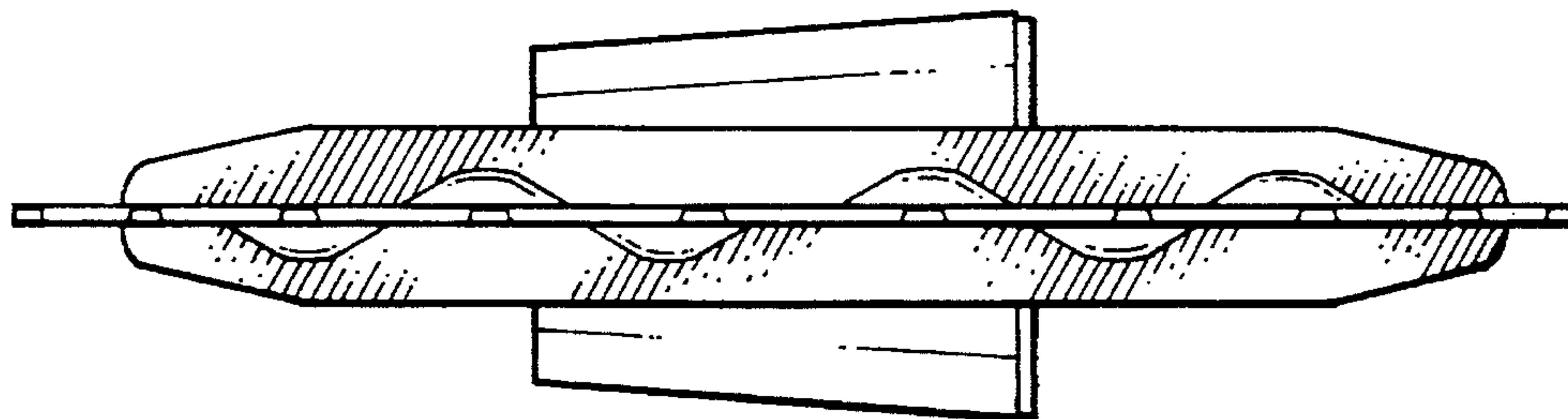


FIG. 4

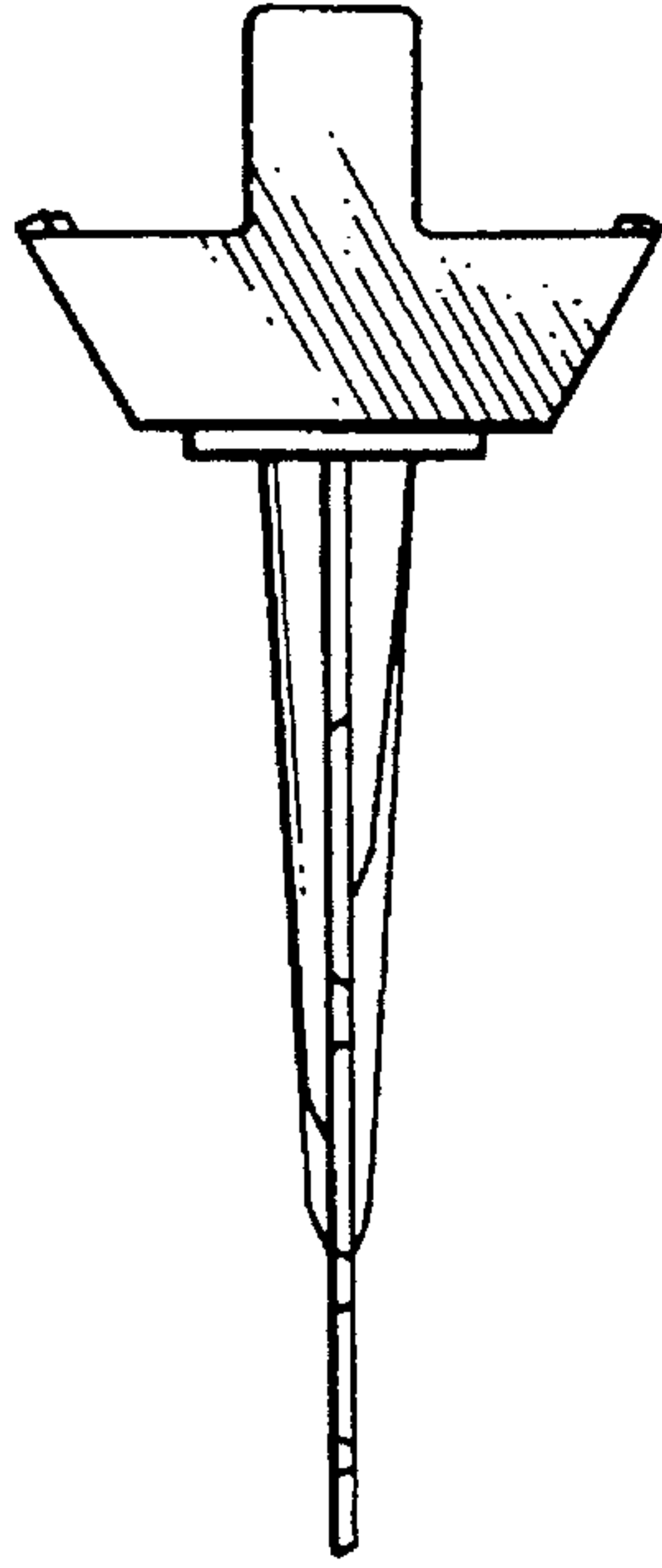


FIG. 5

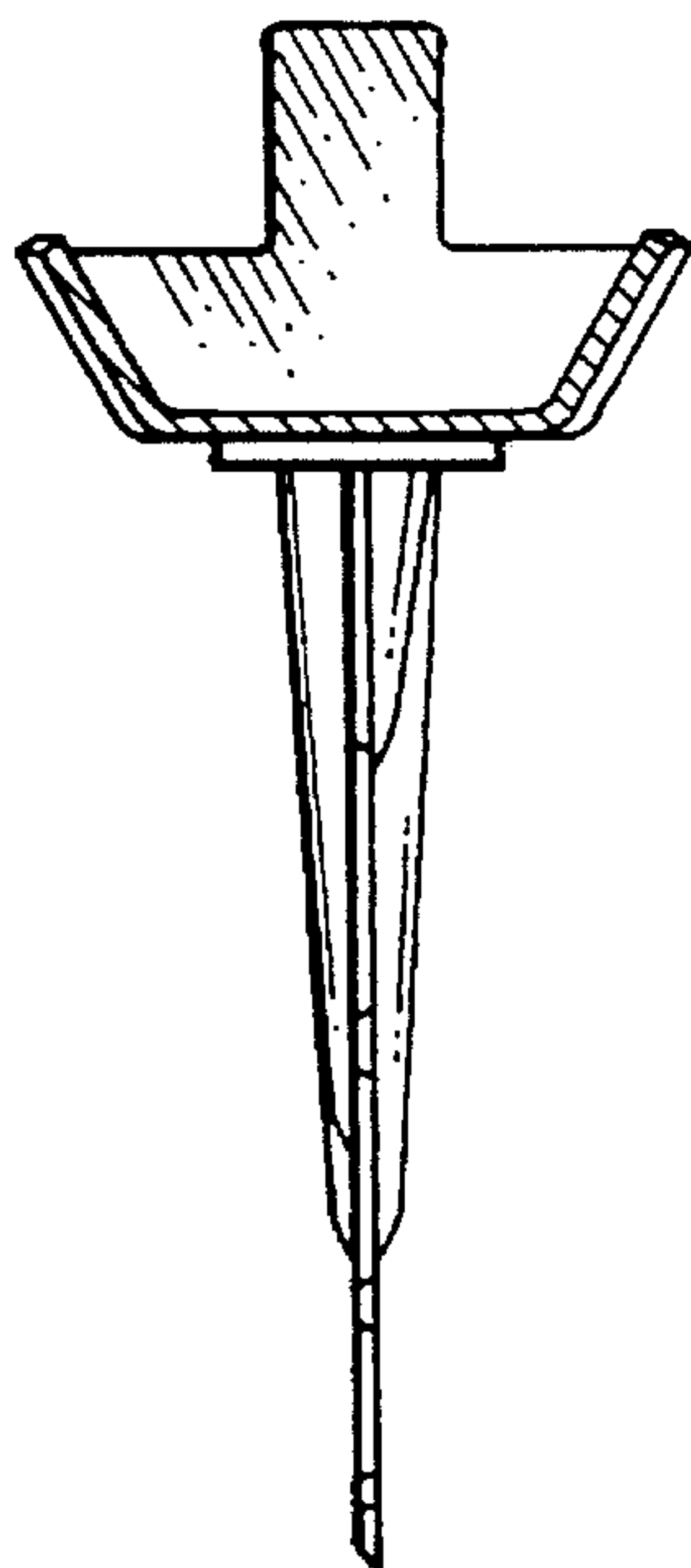


FIG. 6